



US00D622883S

(12) **United States Design Patent**  
**Huang**

(10) **Patent No.:** **US D622,883 S**

(45) **Date of Patent:** **\*\* \*Aug. 31, 2010**

(54) **TABLE LAMP**

(75) Inventor: **Yi-Jin Huang**, Taipei (TW)

(73) Assignee: **Razz Industrial Co., Ltd.**, Taipei (TW)

(\*) Notice: This patent is subject to a terminal disclaimer.

(\*\*) Term: **14 Years**

(21) Appl. No.: **29/346,890**

(22) Filed: **Nov. 9, 2009**

(51) **LOC (9) Cl.** ..... **26-05**

(52) **U.S. Cl.** ..... **D26/63; D26/65**

(58) **Field of Classification Search** ..... D26/61-65,  
D26/107; 362/269, 275, 285, 371, 410, 413,  
362/414, 418, 419, 427

See application file for complete search history.

(56) **References Cited**

**U.S. PATENT DOCUMENTS**

D106,774	S	*	11/1937	Phillips	.....	D26/63
2,525,464	A	*	10/1950	Springer	.....	250/493.1
3,018,366	A	*	1/1962	O'Keefe	.....	362/396
3,219,303	A	*	11/1965	Stryker	.....	248/280.11
D310,886	S	*	9/1990	Gismondi et al.	.....	D26/65

D345,027	S	*	3/1994	Huang	.....	D26/65
D419,255	S	*	1/2000	Jehs et al.	.....	D26/65
D439,358	S	*	3/2001	Lin	.....	D26/65
6,599,000	B2	*	7/2003	Nolan et al.	.....	362/414
D498,555	S	*	11/2004	Donegani et al.	.....	D26/65
D600,844	S	*	9/2009	Thomson et al.	.....	D26/65
2004/0105271	A1	*	6/2004	Chen	.....	362/402

\* cited by examiner

*Primary Examiner*—Clare E Heflin

(57) **CLAIM**

The ornamental design for a table lamp, as shown and described.

**DESCRIPTION**

FIG. 1 is a perspective view of a table lamp showing my new design;

FIG. 2 is a front elevational view thereof;

FIG. 3 is a rear elevational view thereof;

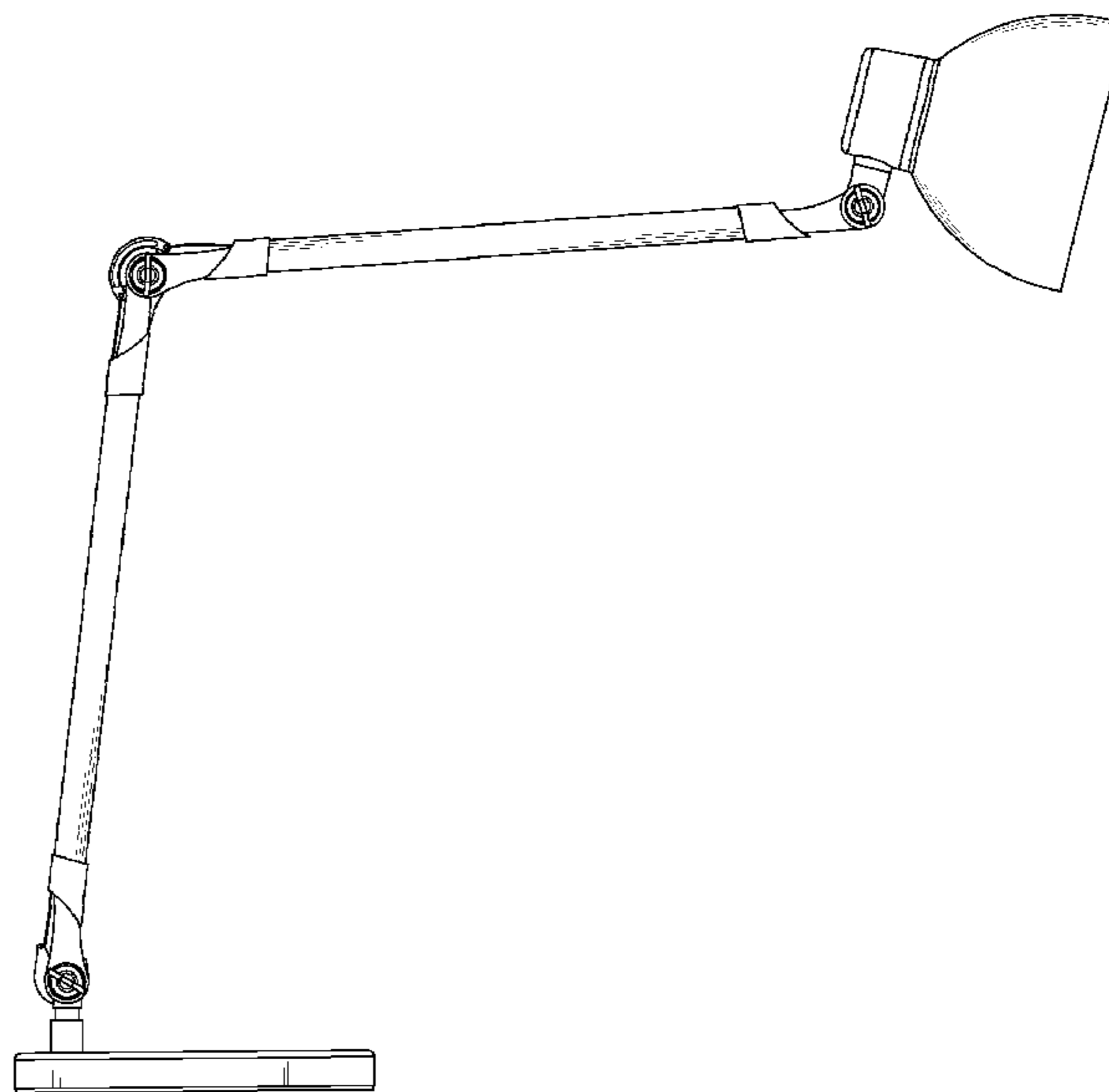
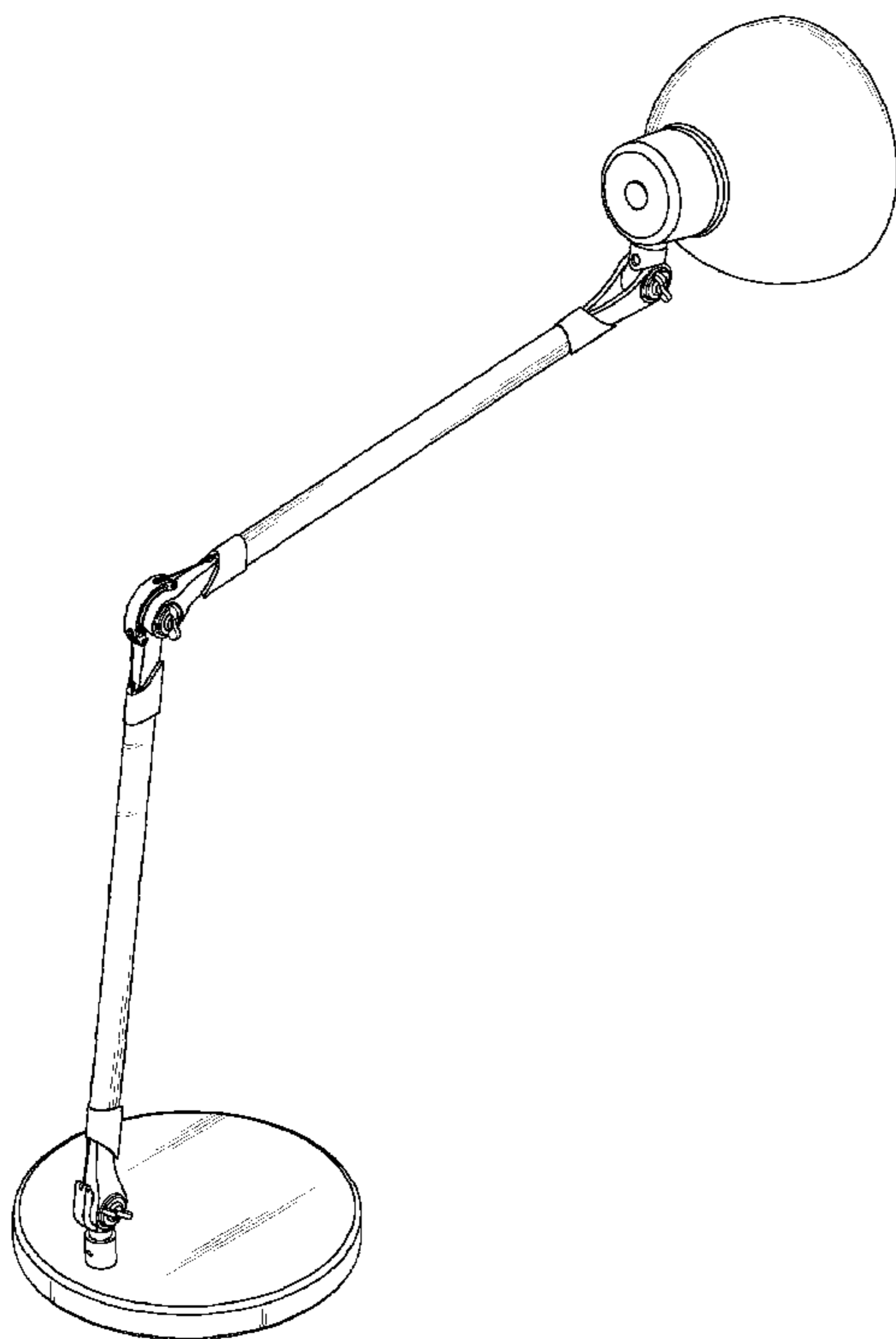
FIG. 4 is a left side elevational view thereof;

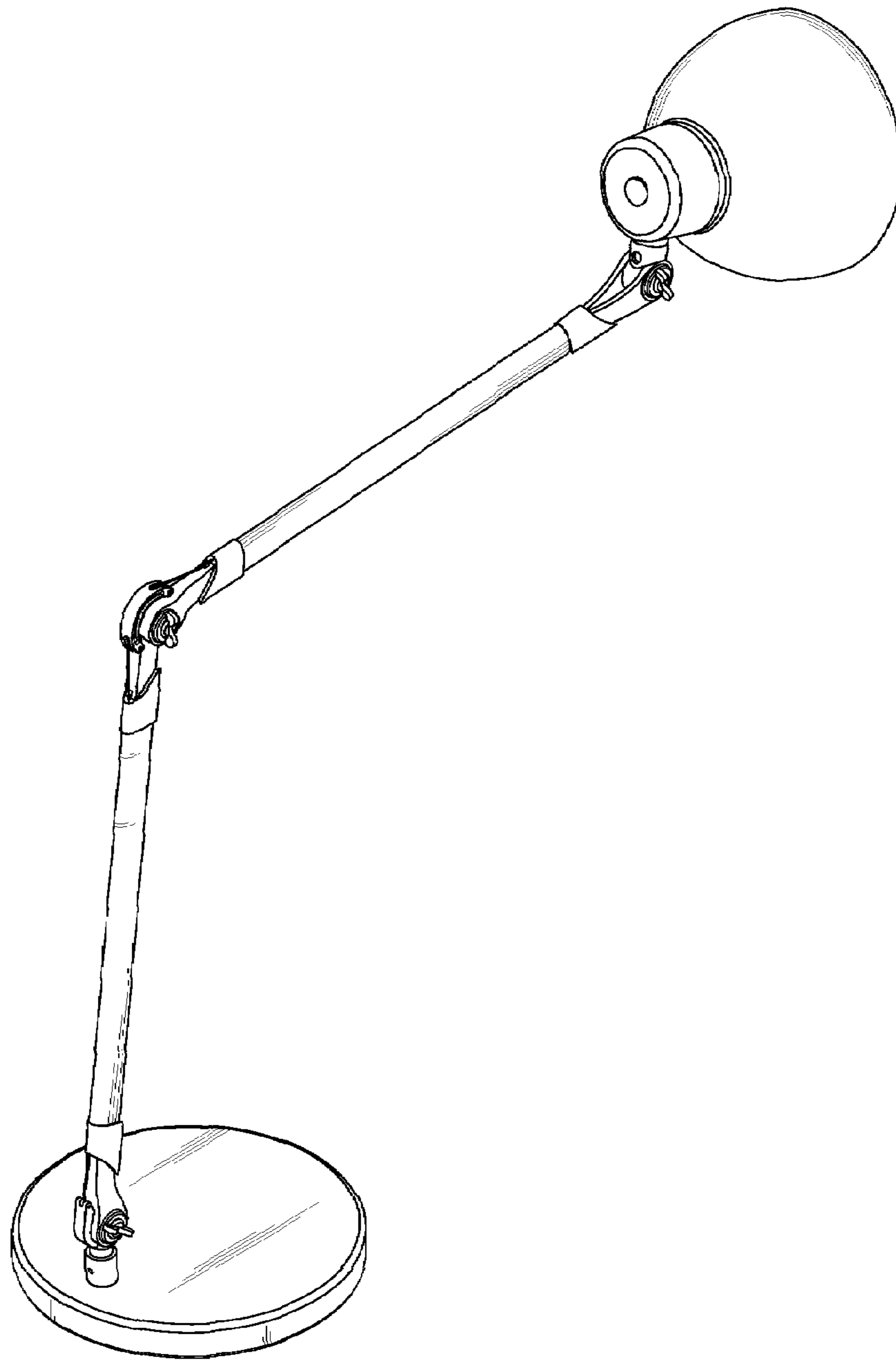
FIG. 5 is a right side elevational view thereof;

FIG. 6 is a top view thereof; and,

FIG. 7 is a bottom view.

**1 Claim, 7 Drawing Sheets**





**FIG. 1**

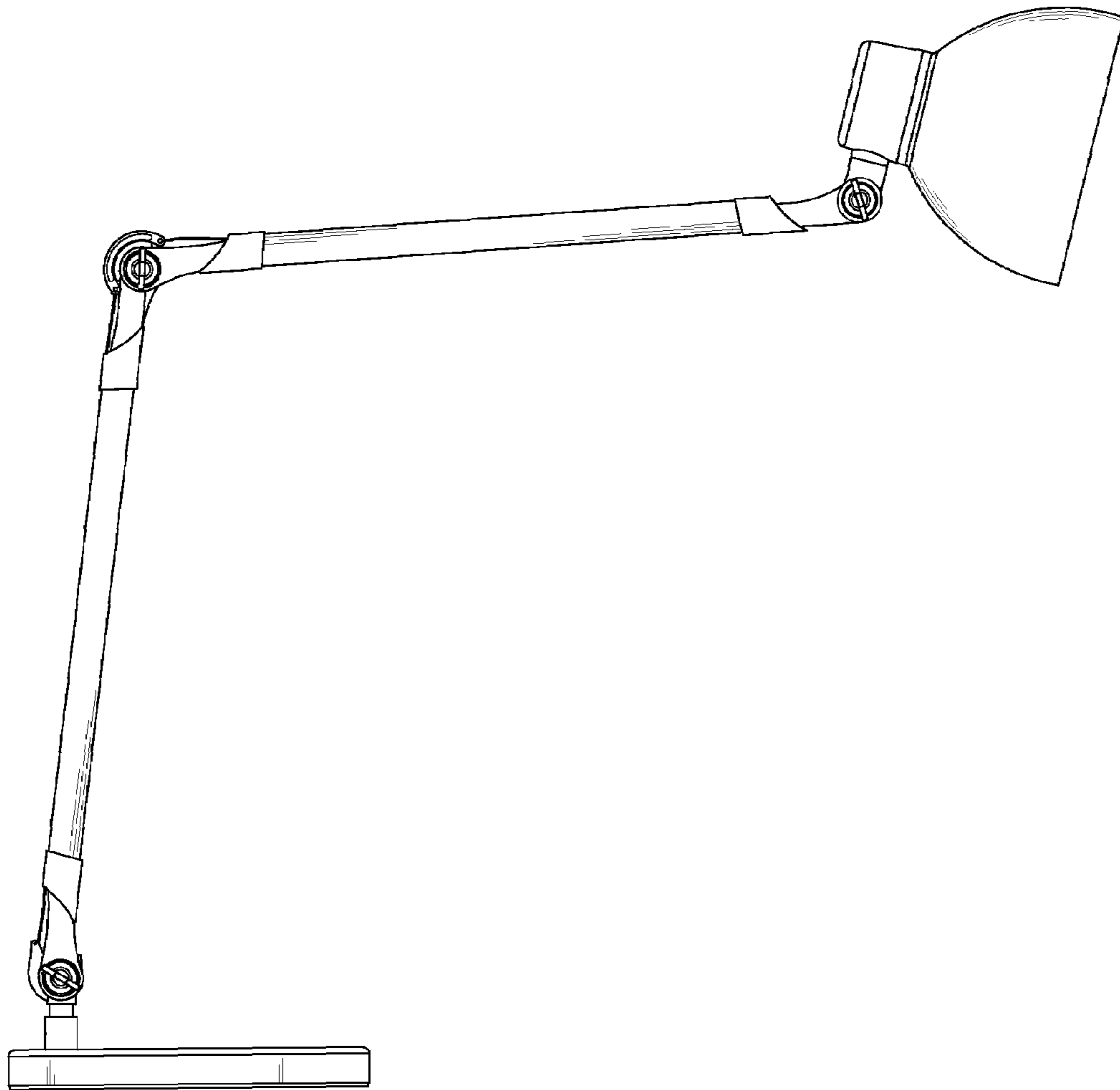
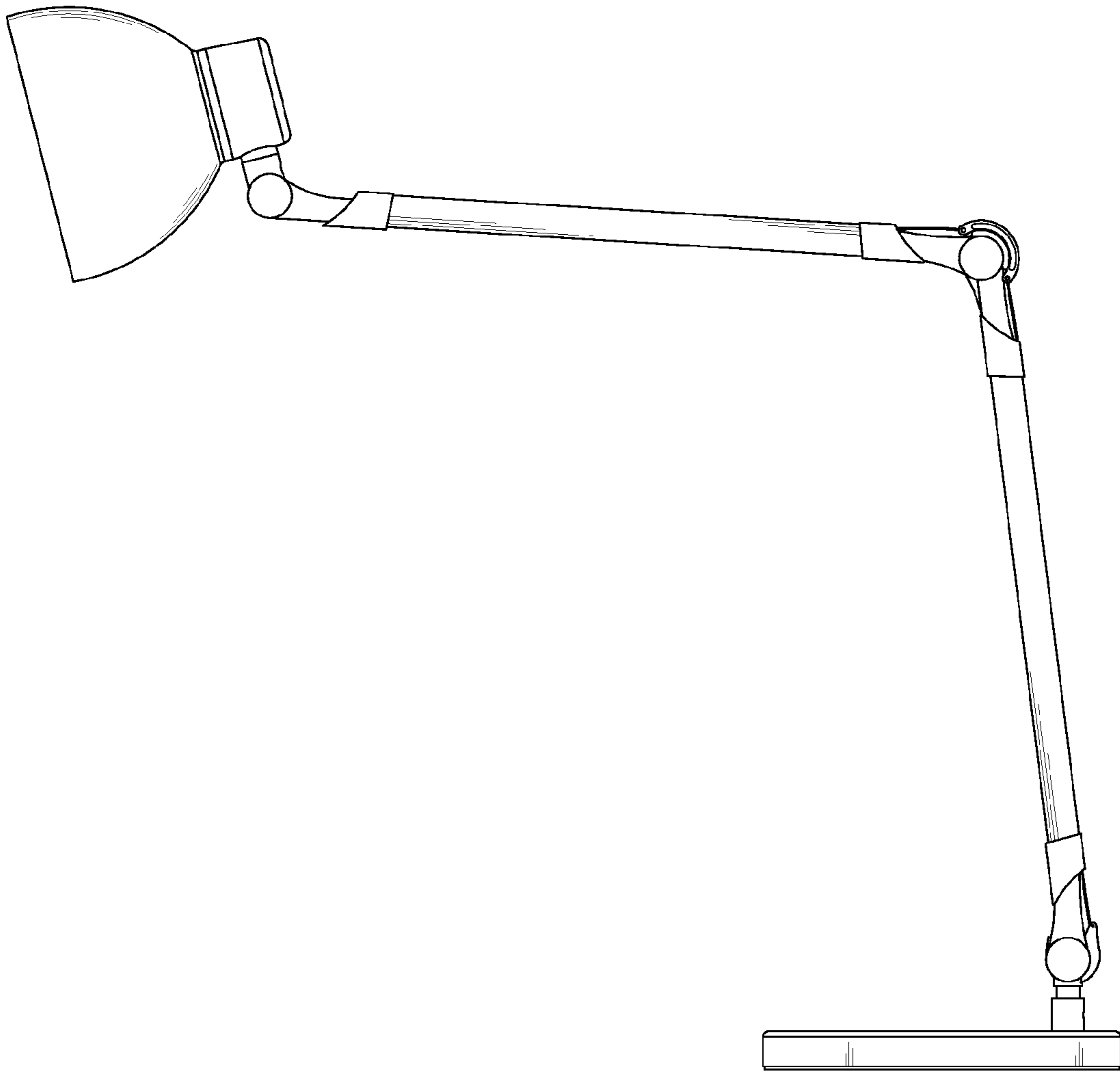
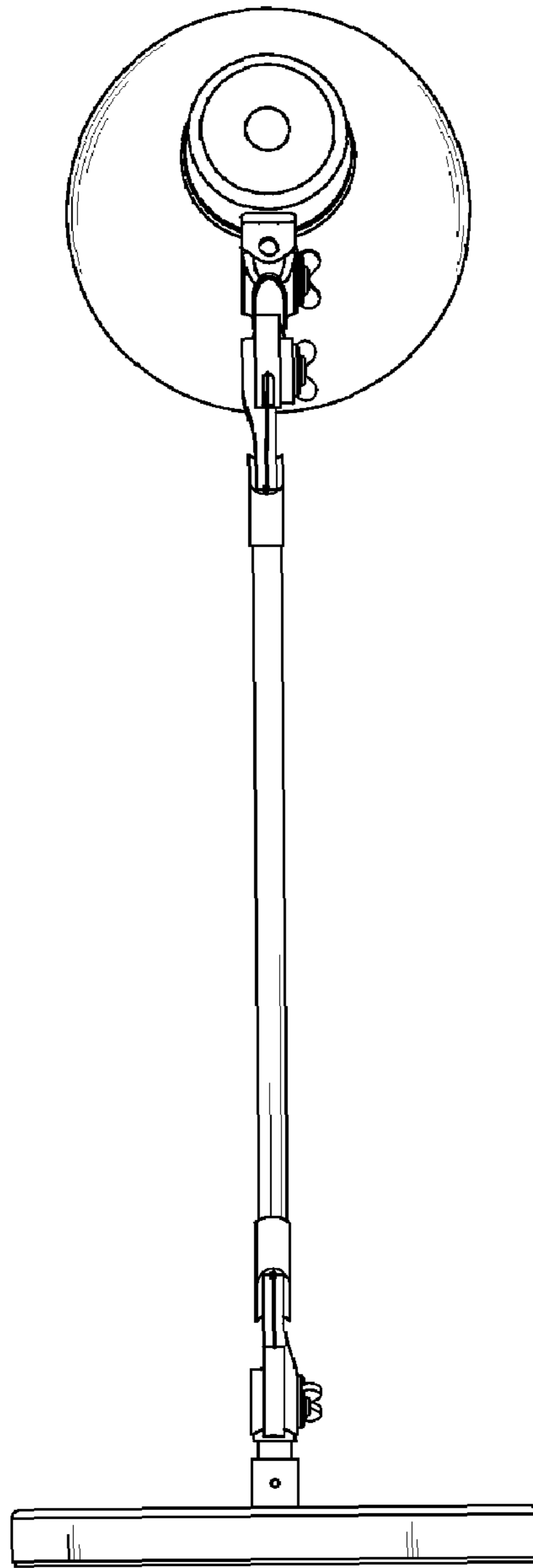


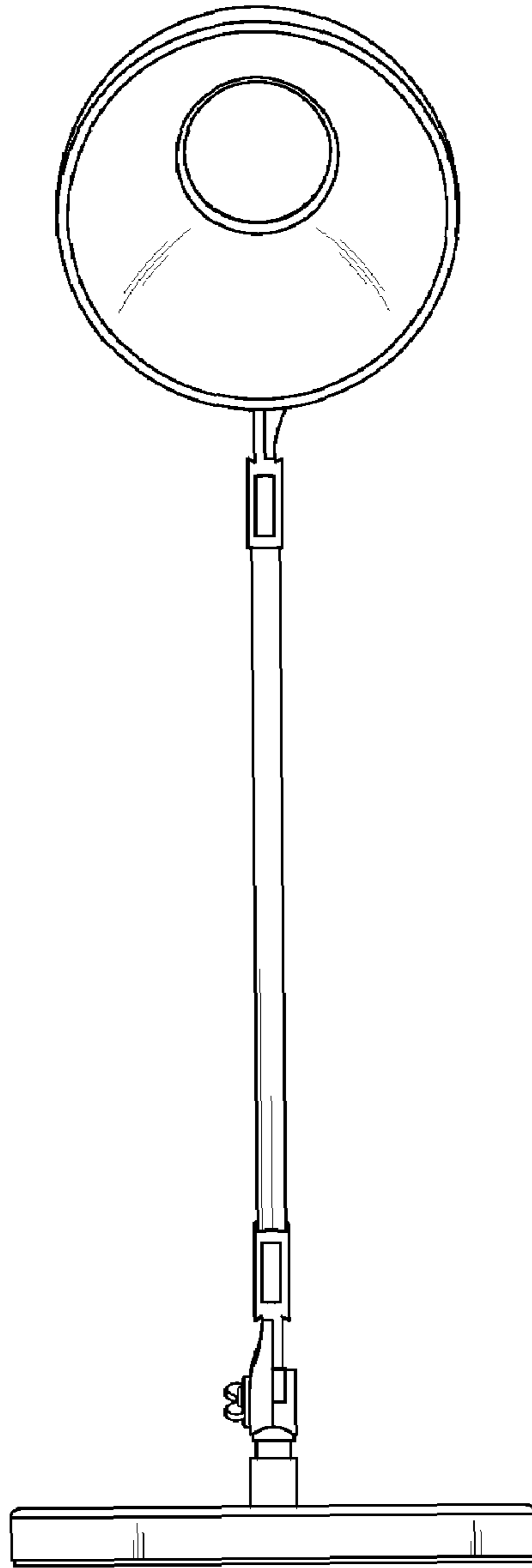
FIG.2



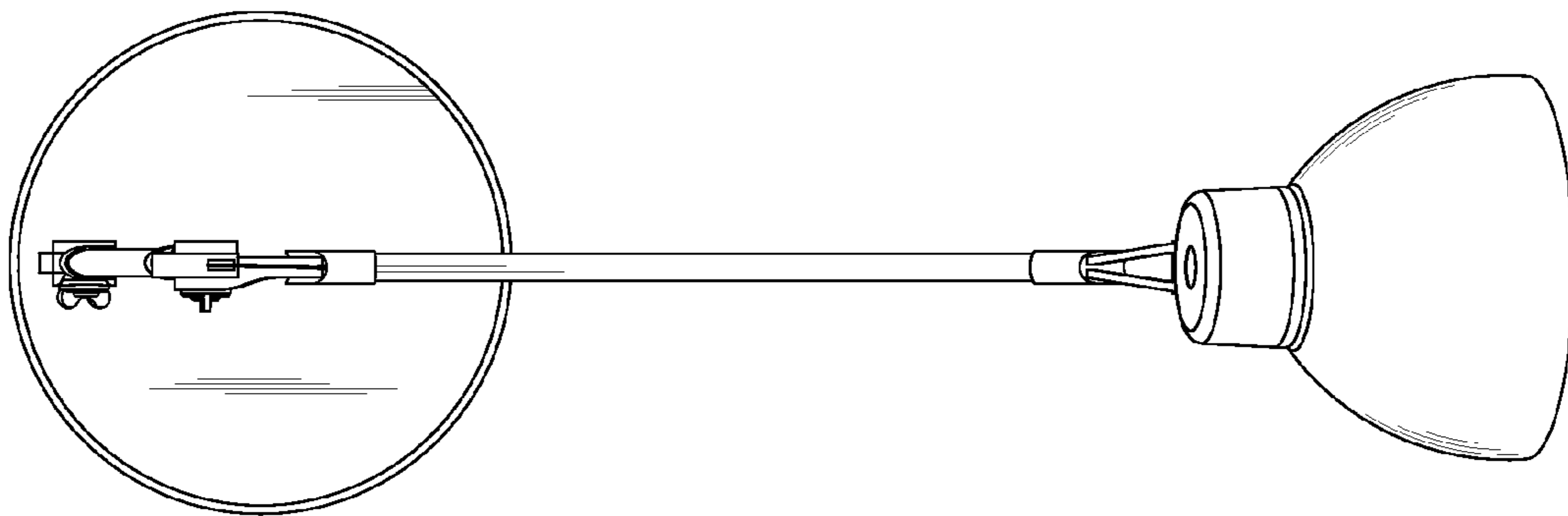
**FIG. 3**



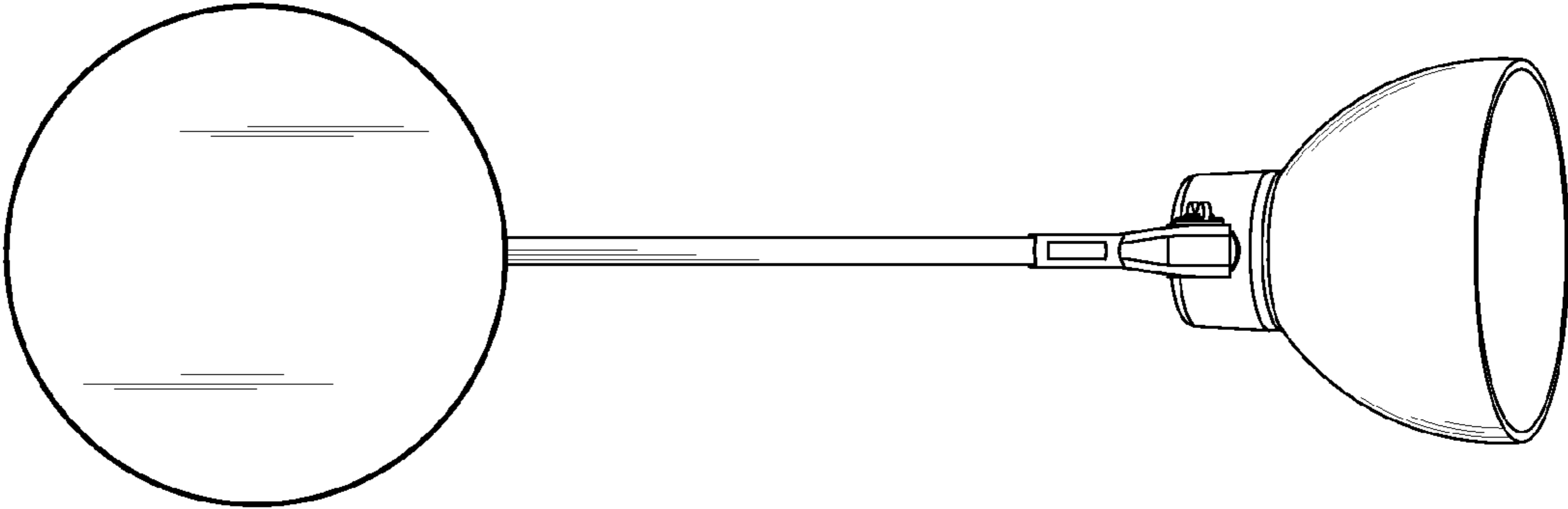
**FIG. 4**



**FIG.5**



**FIG. 6**



**FIG. 7**