



US00D622881S

(12) **United States Design Patent**
Sanoner

(10) **Patent No.:** **US D622,881 S**

(45) **Date of Patent:** **** Aug. 31, 2010**

(54) **LAMP FOR BIKE**

(75) Inventor: **Hughes Marie Sanoner**, Discovery Bay (HK)

(73) Assignee: **Solar Wide Industrial Limited**, Tsuen Wan, New Territories, Hong Kong SAR (CN)

(**) Term: **14 Years**

(21) Appl. No.: **29/315,178**

(22) Filed: **Jun. 1, 2009**

(30) **Foreign Application Priority Data**

Feb. 25, 2009 (EP) 001093884-0001

(51) **LOC (9) Cl.** **26-05**

(52) **U.S. Cl.** **D26/60**

(58) **Field of Classification Search** D26/28-51,
D26/60-66; 362/473-476, 486, 396, 253;
D12/114

See application file for complete search history.

(56) **References Cited**

U.S. PATENT DOCUMENTS

D295,324 S * 4/1988 Drane D26/28
D365,162 S * 12/1995 Tsushi D26/28
D371,614 S * 7/1996 Lai D26/28
D371,615 S * 7/1996 Lai D26/28

7,070,295 B1 * 7/2006 Lee 362/191
D528,678 S * 9/2006 Yen D26/28
D566,871 S * 4/2008 Kumthampinij et al. D26/60
D597,237 S * 7/2009 Kumthampinij et al. D26/61

* cited by examiner

Primary Examiner—Philip S Hyder
Assistant Examiner—Linda G. Brooks

(74) *Attorney, Agent, or Firm*—Alix, Yale & Ristas, LLP

(57) **CLAIM**

The ornamental design for a lamp for bike, as shown and described.

DESCRIPTION

FIG. 1 is a front elevational view of a lamp for bike showing my new design;

FIG. 2 is a rear elevational view thereof;

FIG. 3 is a left side elevational view thereof;

FIG. 4 is a right side elevational view thereof;

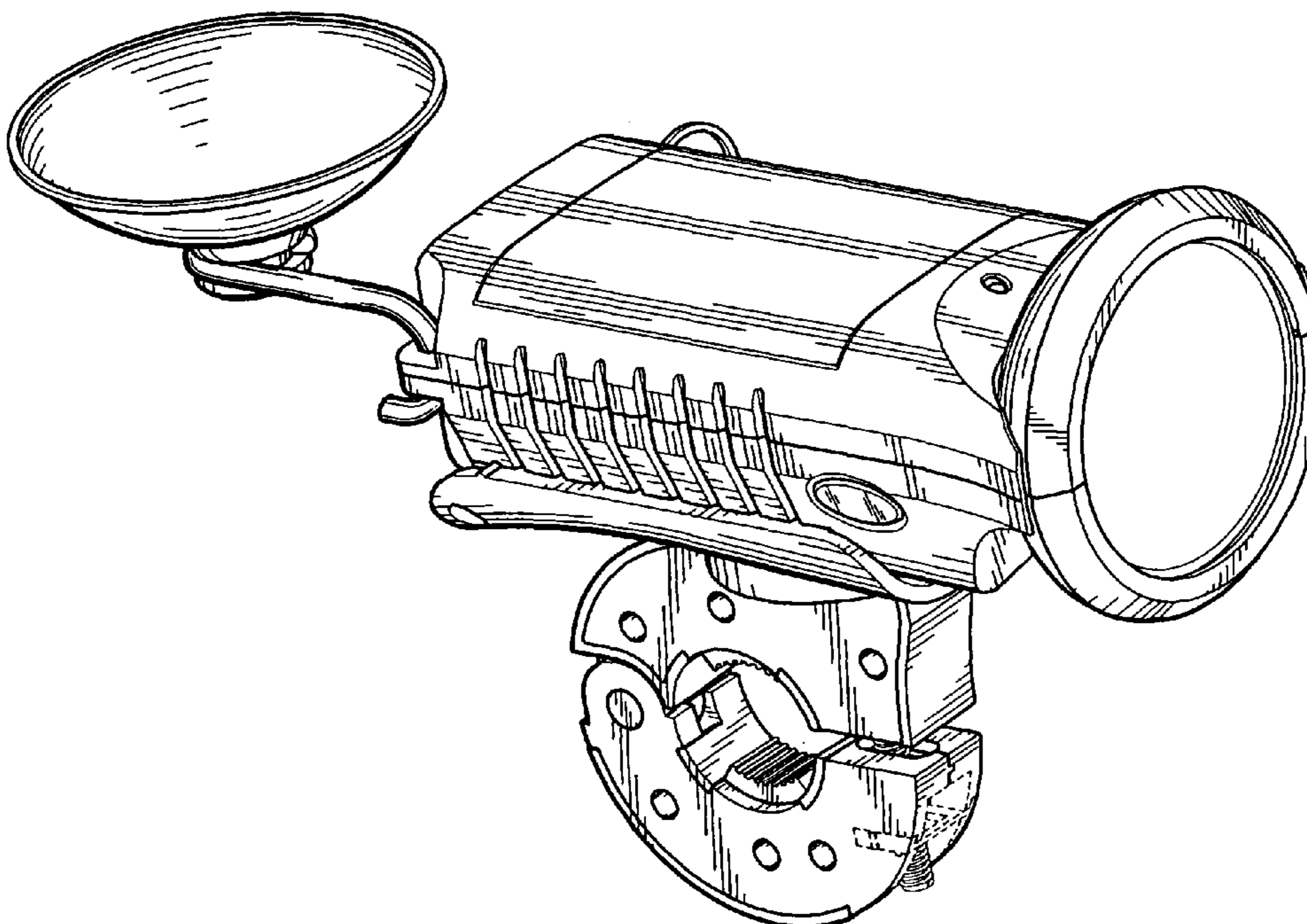
FIG. 5 is a top plan view thereof;

FIG. 6 is a bottom plan view thereof; and,

FIG. 7 is a front, right side and top perspective view of a lamp for bike showing my new design.

The portions of the lamp for bike shown in broken lines form no part of the claimed design.

1 Claim, 4 Drawing Sheets



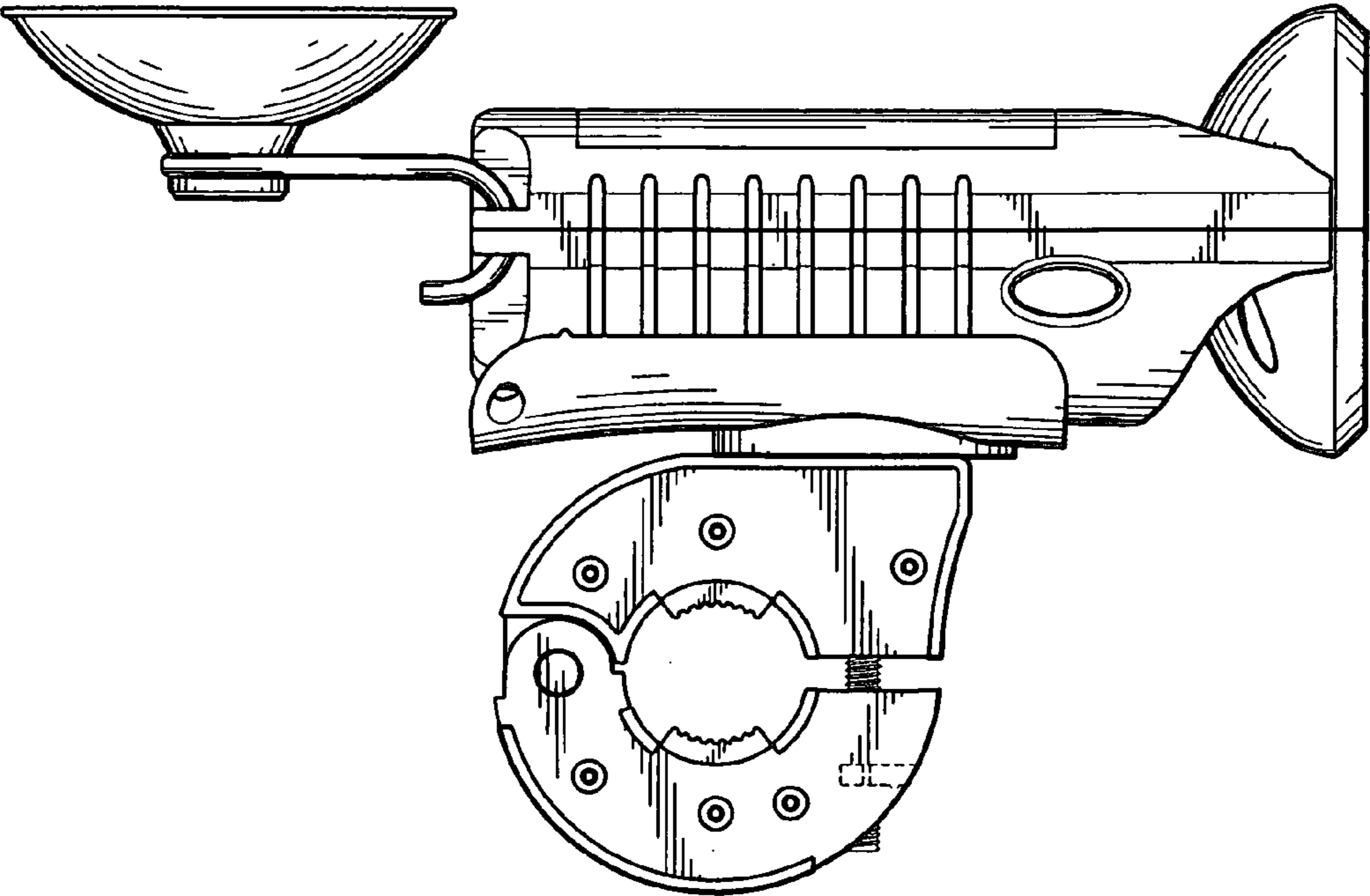


FIG.1

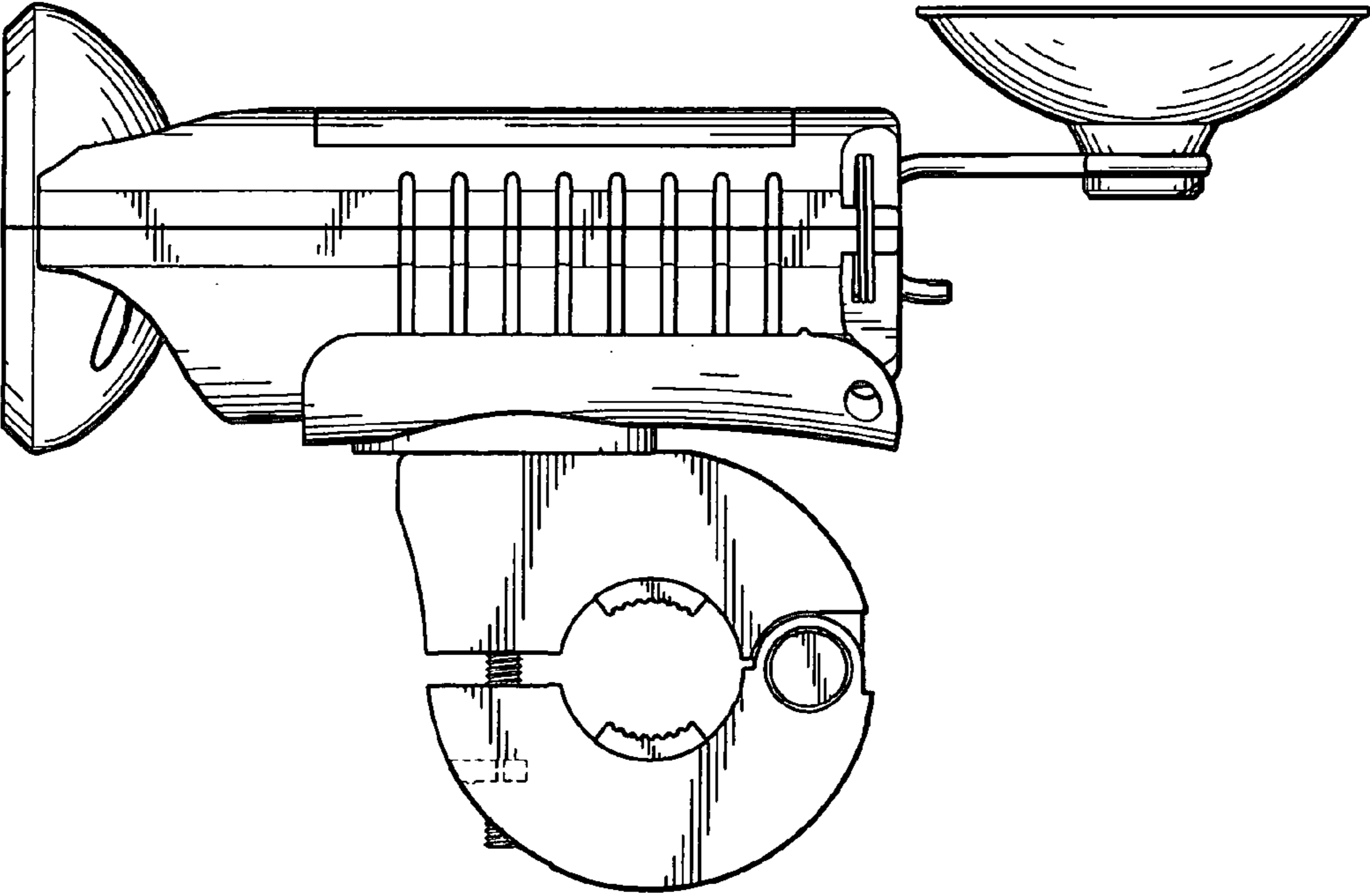


FIG.2

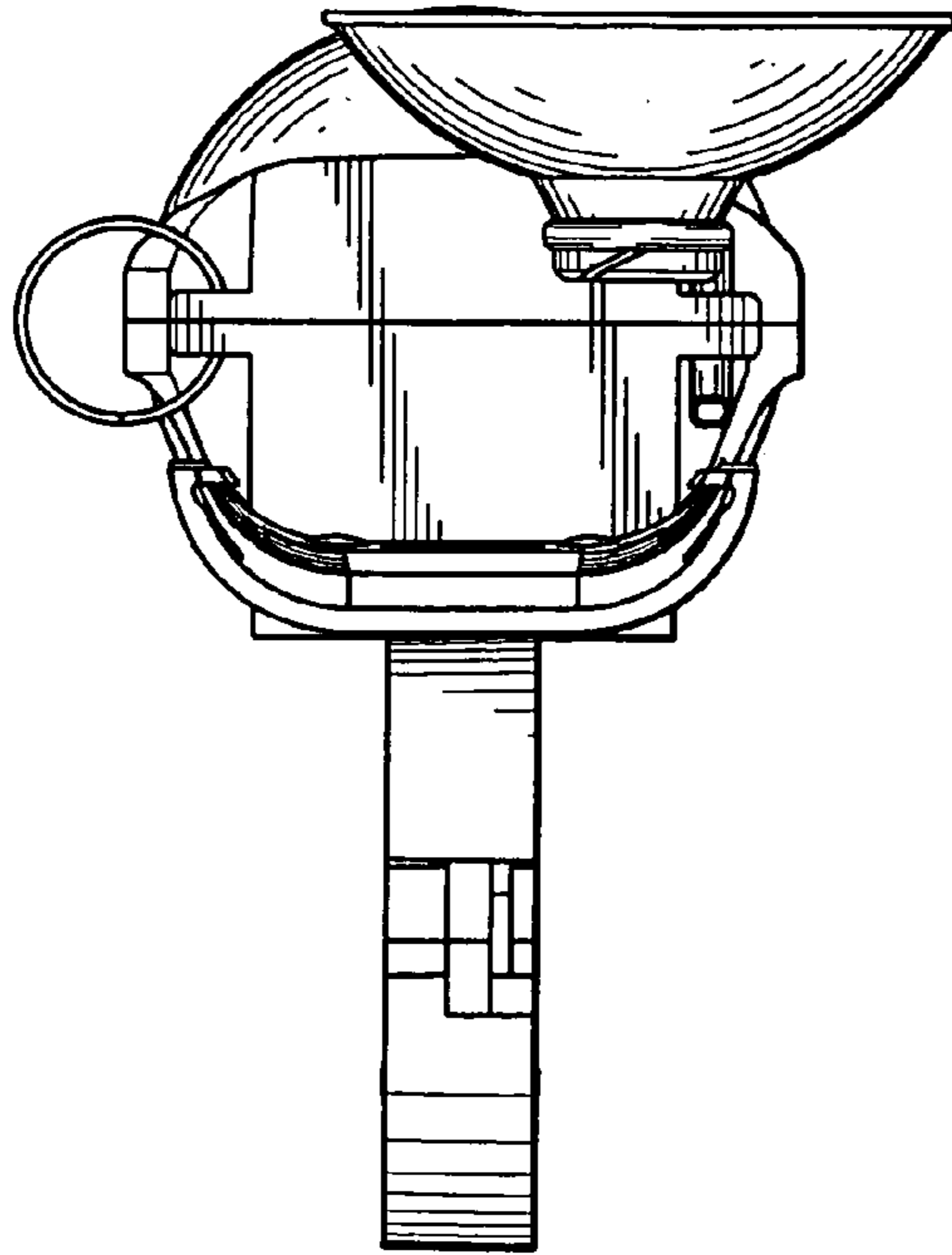


FIG. 3

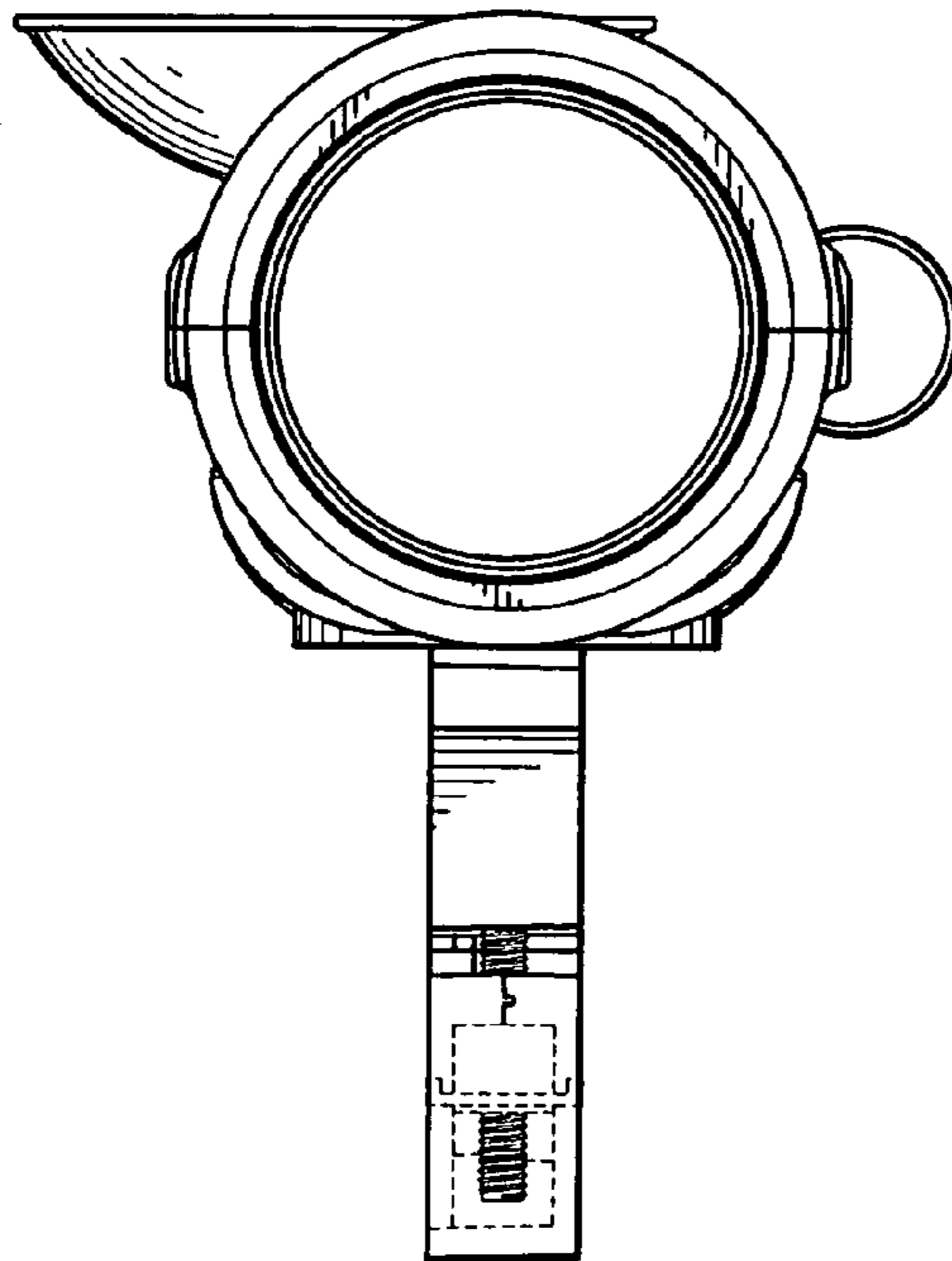


FIG. 4

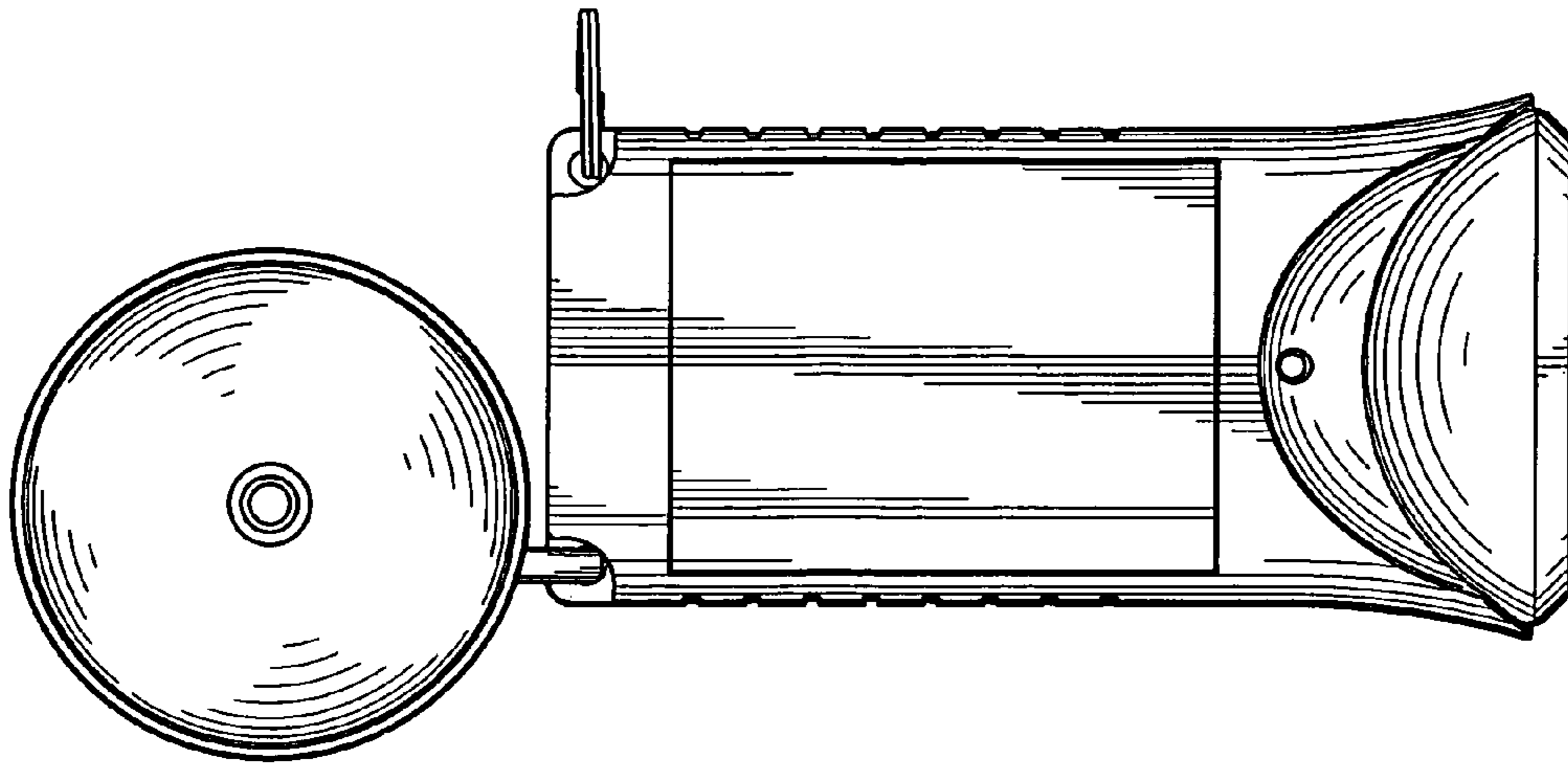


FIG. 5

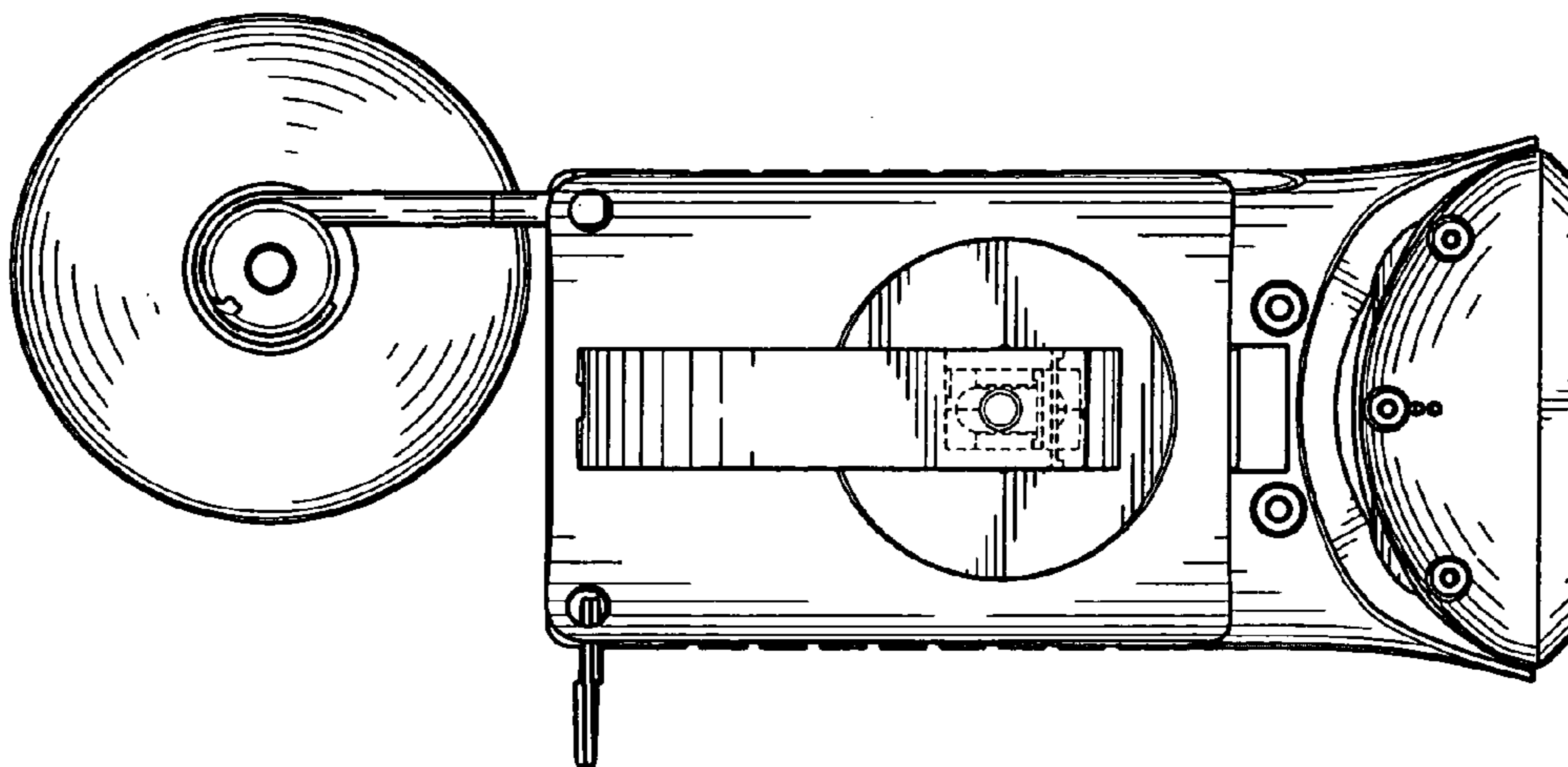


FIG. 6

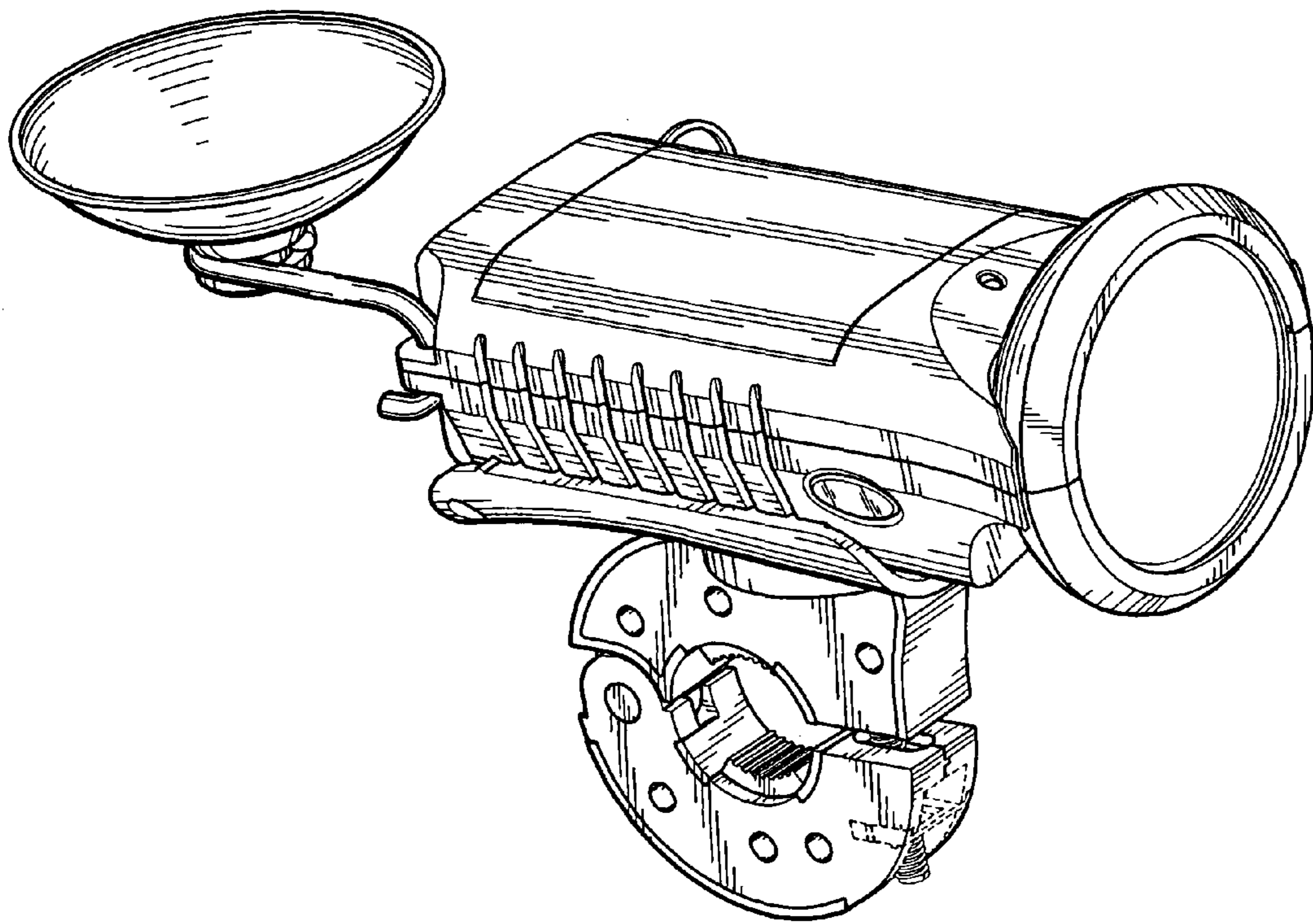


FIG.7