



US00D622879S

(12) **United States Design Patent**  
**Kotsis et al.**

(10) **Patent No.:** **US D622,879 S**

(45) **Date of Patent:** **\*\* Aug. 31, 2010**

(54) **LIGHTING DEVICE**

(75) Inventors: **Angelo Kotsis**, Marrickville (AU); **Hugh F. Thomas**, Cheltenham (AU)

(73) Assignee: **Eveready Battery Company, Inc.**, St. Louis, MO (US)

(\*\*) Term: **14 Years**

(21) Appl. No.: **29/341,348**

(22) Filed: **Aug. 4, 2009**

(51) **LOC (9) Cl.** ..... **26-02**

(52) **U.S. Cl.** ..... **D26/37**

(58) **Field of Classification Search** ..... D26/37,  
D26/38, 39, 41, 46; 362/157, 158, 183, 184,  
362/194–201, 208

See application file for complete search history.

(56) **References Cited**

**U.S. PATENT DOCUMENTS**

D347,634 S *	6/1994	Lobo	.....	D14/171
D358,223 S *	5/1995	Ferrell et al.	.....	D26/37
D401,371 S *	11/1998	Chen	.....	D26/38
D407,510 S *	3/1999	Yuen	.....	D26/37
D414,574 S *	9/1999	Chen	.....	D26/37
D415,585 S *	10/1999	Leung	.....	D26/37
D439,352 S *	3/2001	Lai	.....	D26/37
D439,688 S *	3/2001	Suzuki	.....	D26/37
D448,873 S *	10/2001	Dalton et al.	.....	D26/37
D464,453 S *	10/2002	Cramer et al.	.....	D26/39
D469,555 S *	1/2003	Hong	.....	D26/38
D498,551 S *	11/2004	Chan	.....	D26/37
D524,962 S *	7/2006	Farmer	.....	D26/37
D526,734 S *	8/2006	Brown	.....	D26/60
D569,536 S *	5/2008	Henderson	.....	D26/37
D580,574 S *	11/2008	Leslie et al.	.....	D26/37
D598,148 S *	8/2009	Leslie et al.	.....	D26/37

\* cited by examiner

*Primary Examiner*—Ian Simmons

*Assistant Examiner*—Carissa C Fitts

(74) *Attorney, Agent, or Firm*—Gregory J. Adams

(57) **CLAIM**

We claim the ornamental design for a lighting device, as shown and described.

**DESCRIPTION**

FIG. 1 is a front perspective view of the lighting device.

FIG. 2 is a front perspective view of the lighting device with the lens up.

FIG. 3 is a front view of the lighting device.

FIG. 4 is a rear perspective view of the lighting device.

FIG. 5 is a rear view of the lighting device.

FIG. 6 is a left side view of the lighting device.

FIG. 7 is a left side view of the lighting device with the handle down.

FIG. 8 is a left side view of the lighting device with the handle down and the lens up.

FIG. 9 is a right side view of the lighting device.

FIG. 10 is a right side view of the lighting device with the handle down.

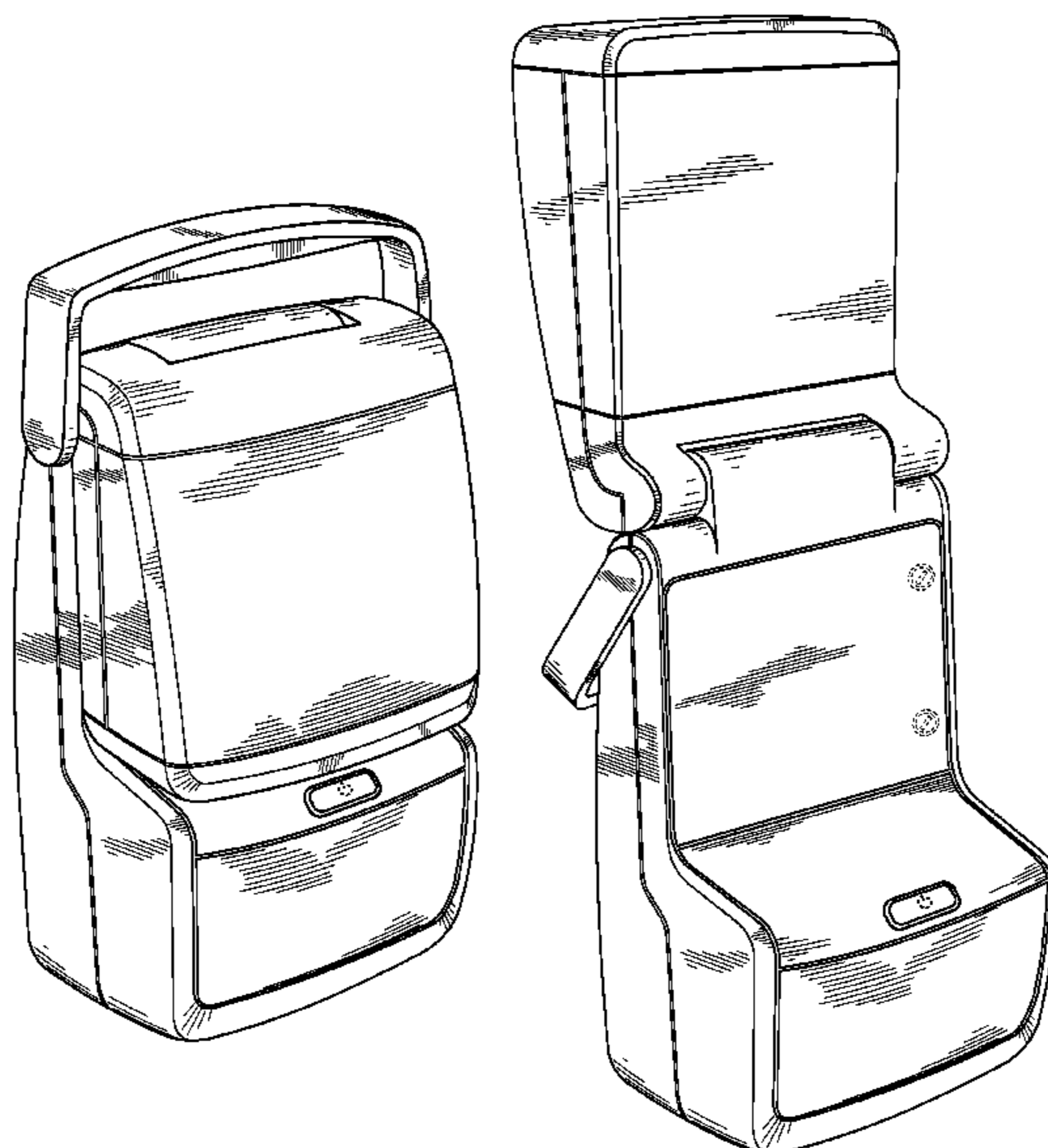
FIG. 11 is a top view of the lighting device with the handle down.

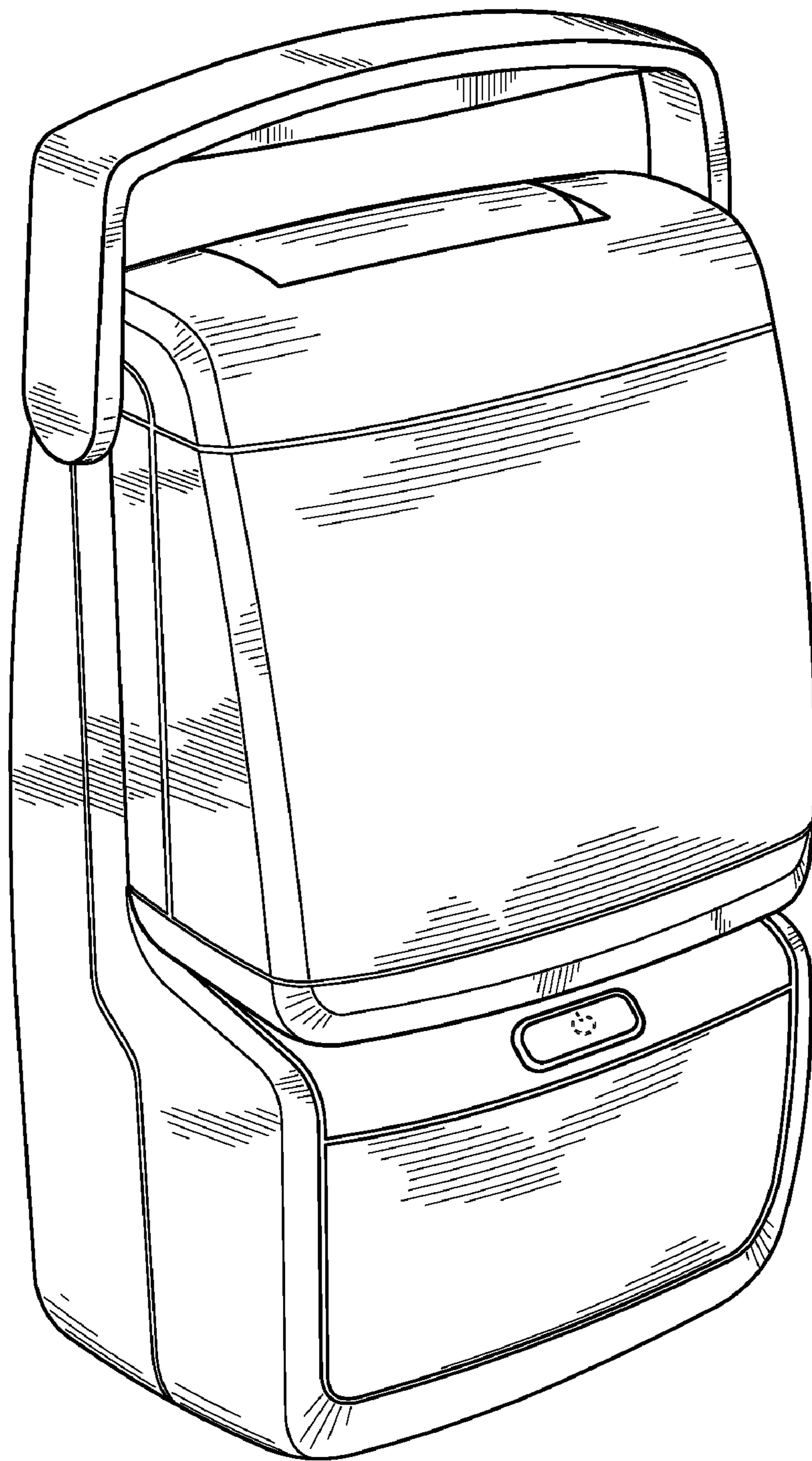
FIG. 12 is a top view of the lighting device with the handle up; and,

FIG. 13 is a bottom view of the lighting device.

Any broken line(s) shown are for illustrative purposes only and form no part of the claimed design.

**1 Claim, 13 Drawing Sheets**





**Fig. 1**

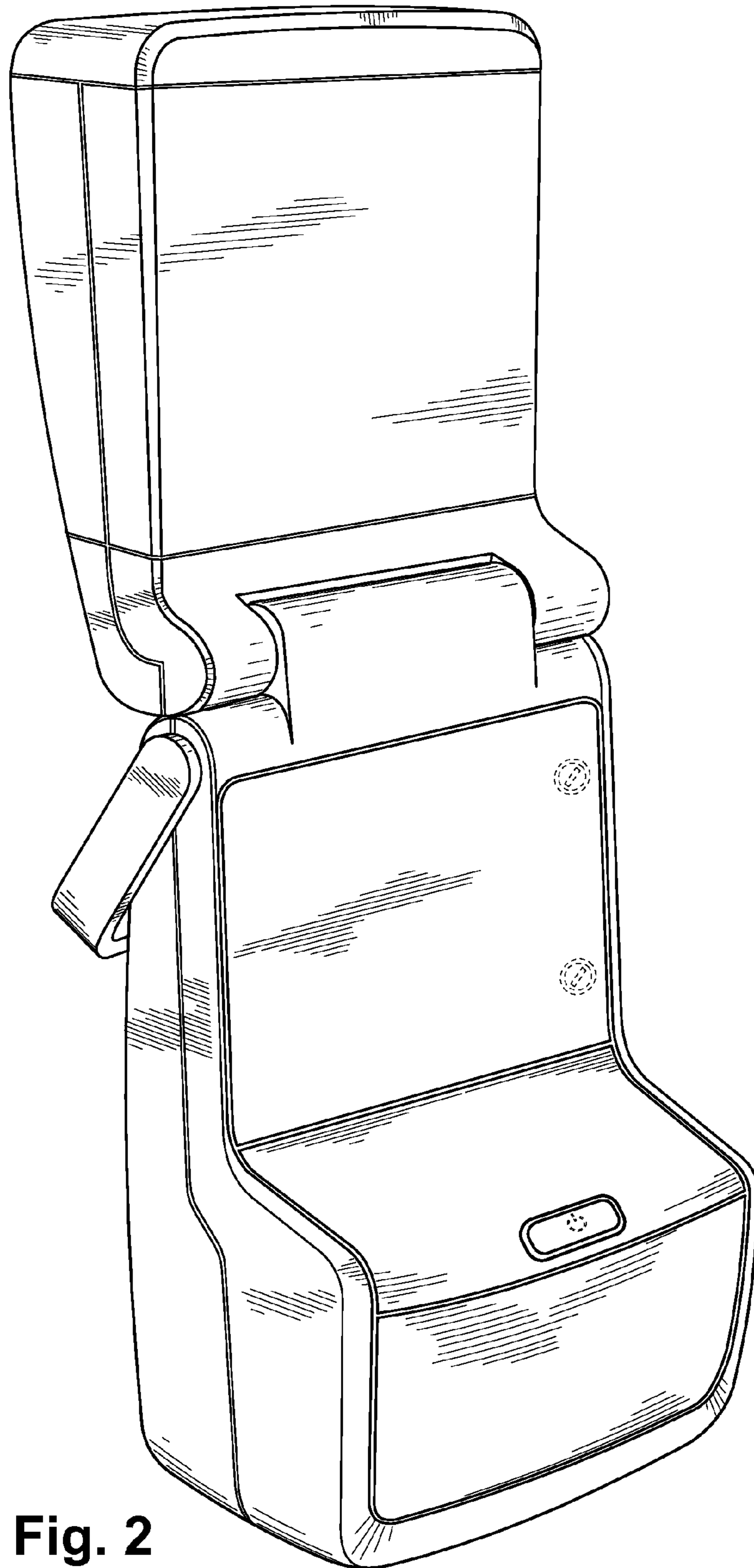


Fig. 2

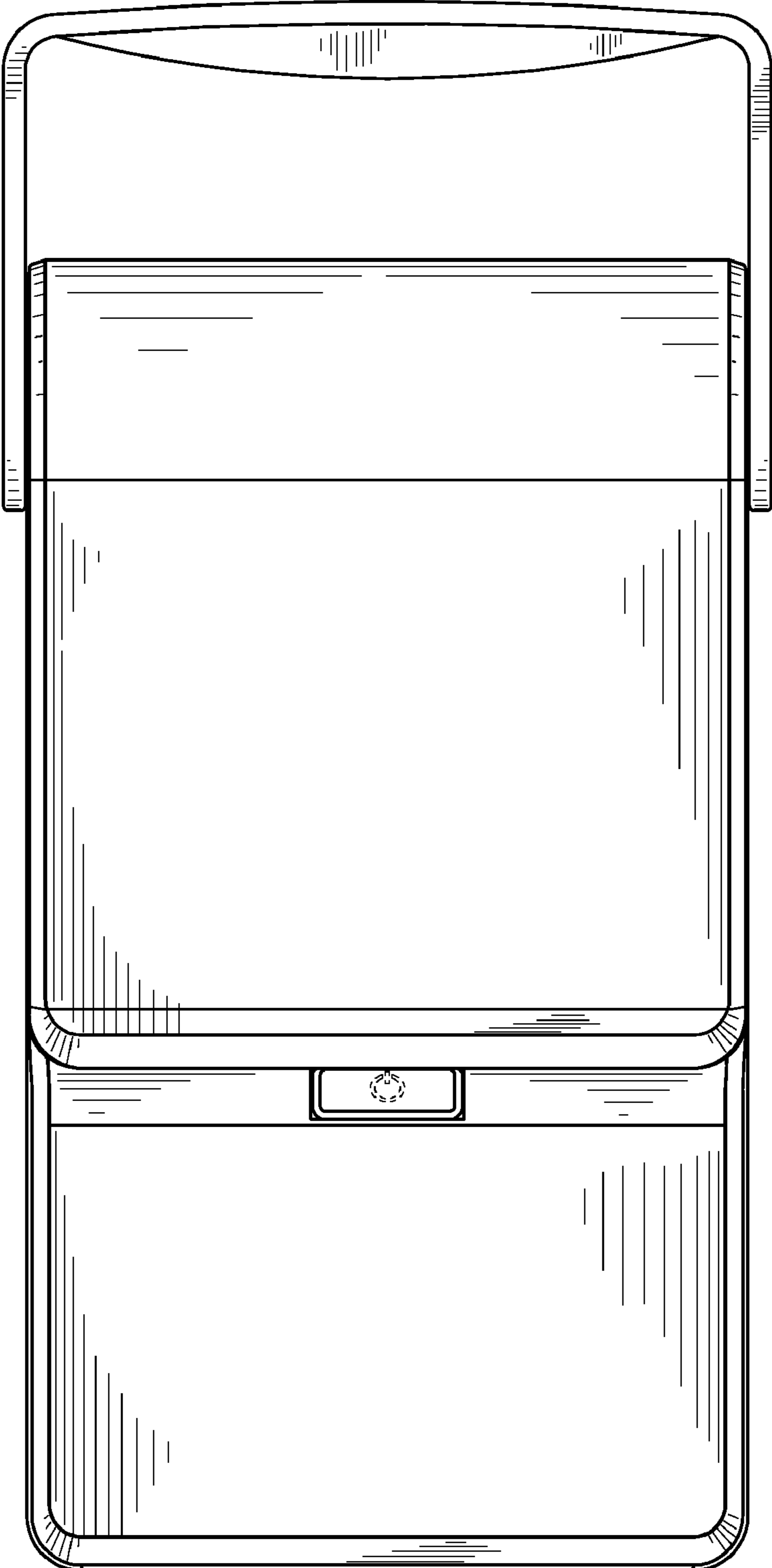
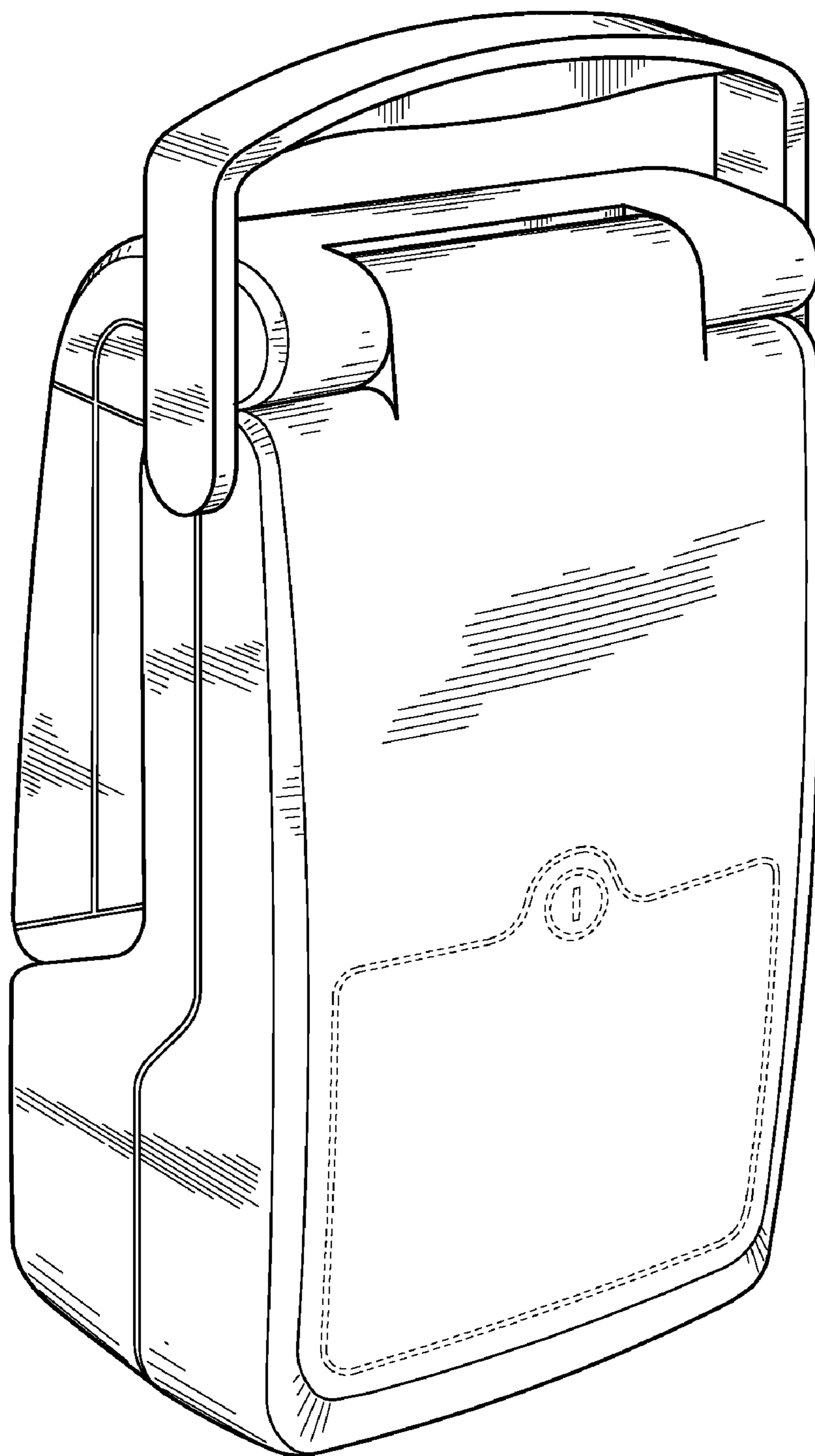


Fig. 3



**Fig. 4**

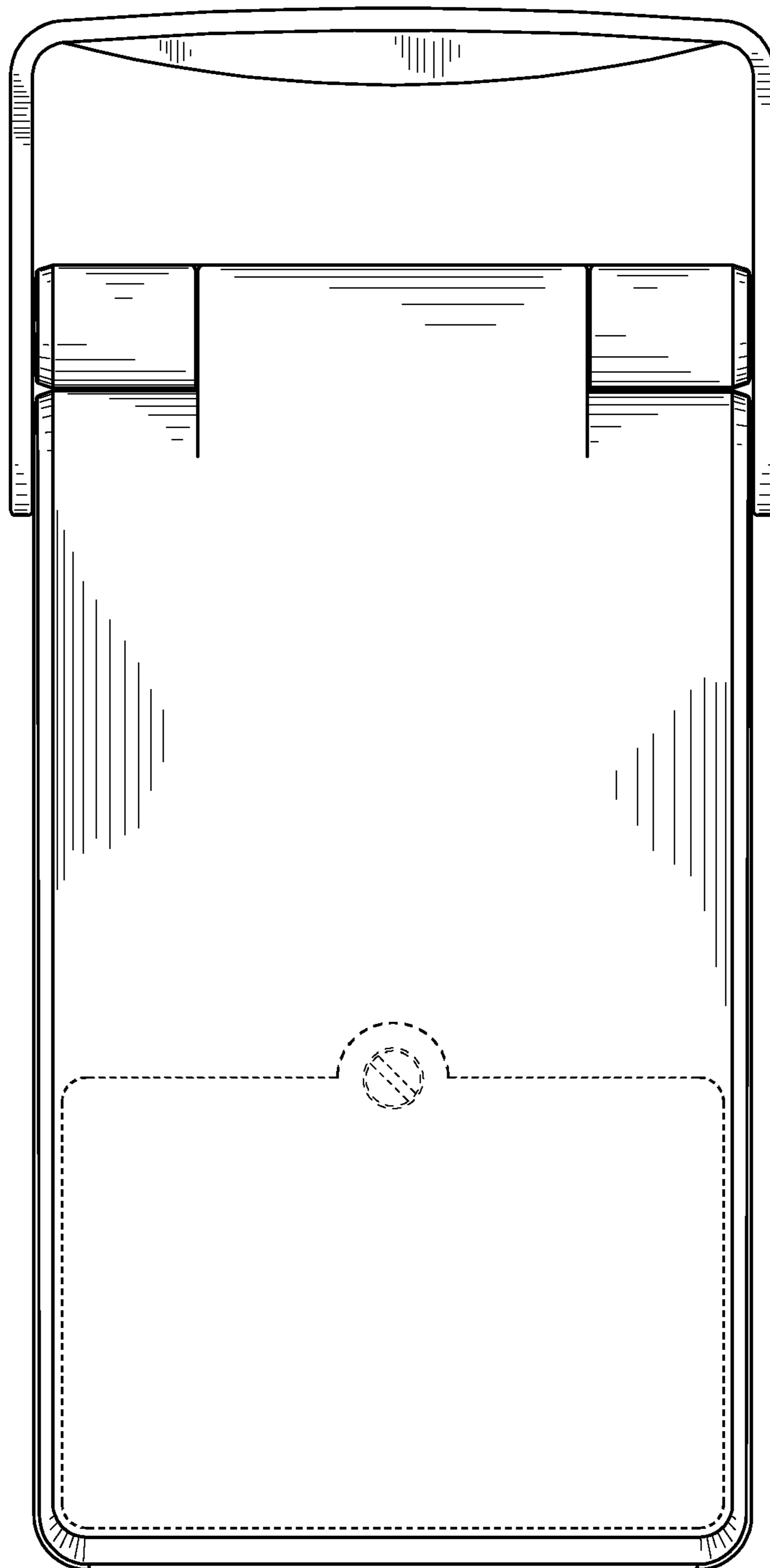
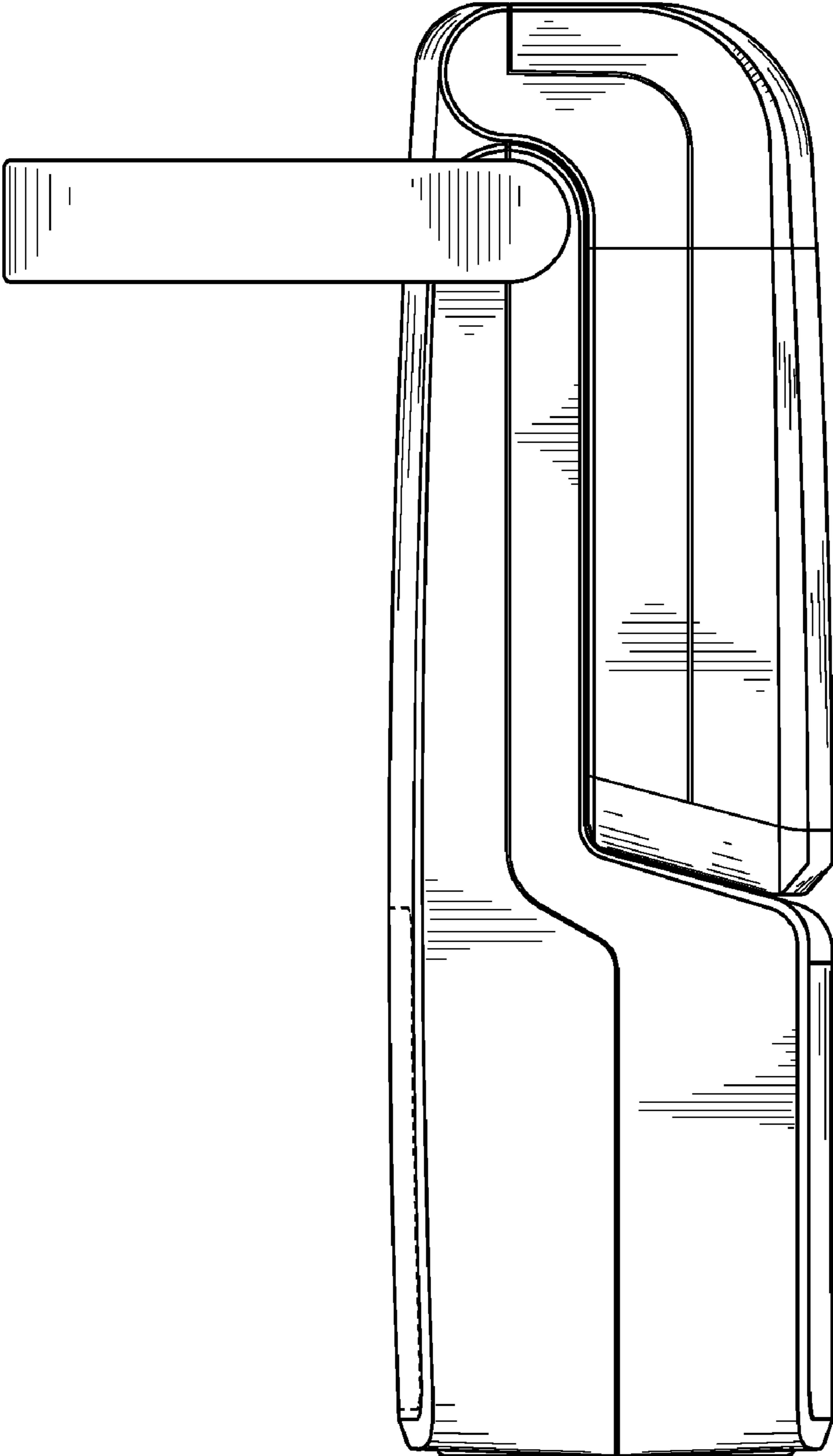


Fig. 5



**Fig. 6**



**Fig. 7**



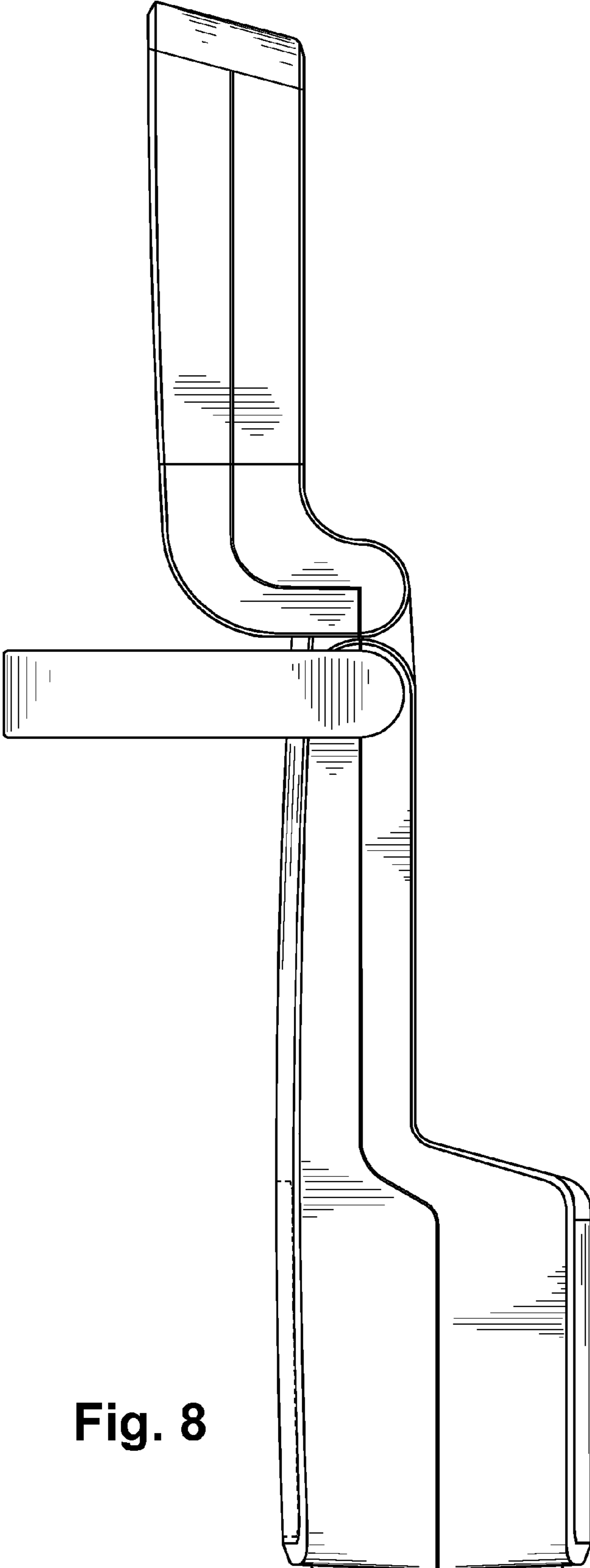
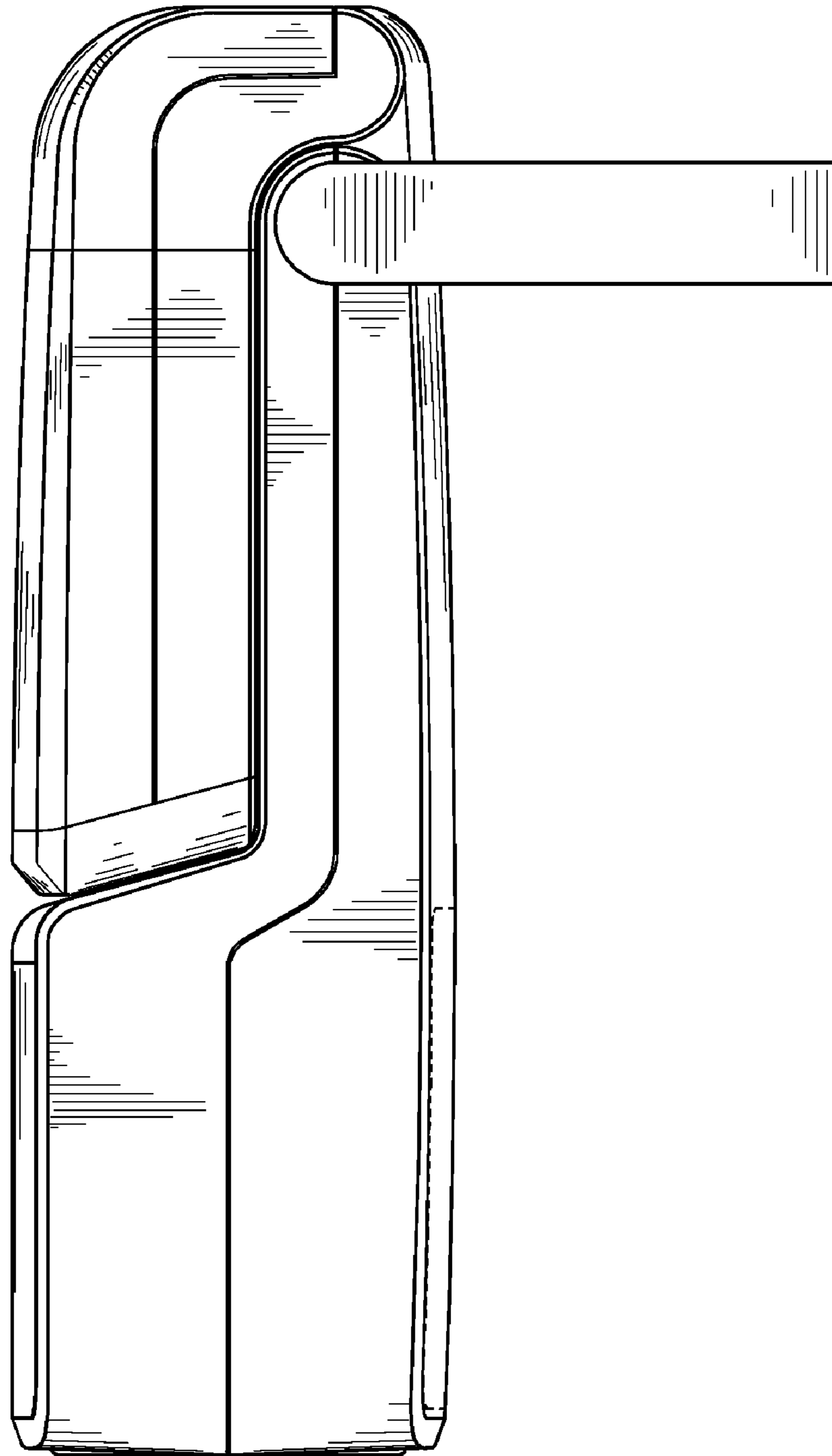


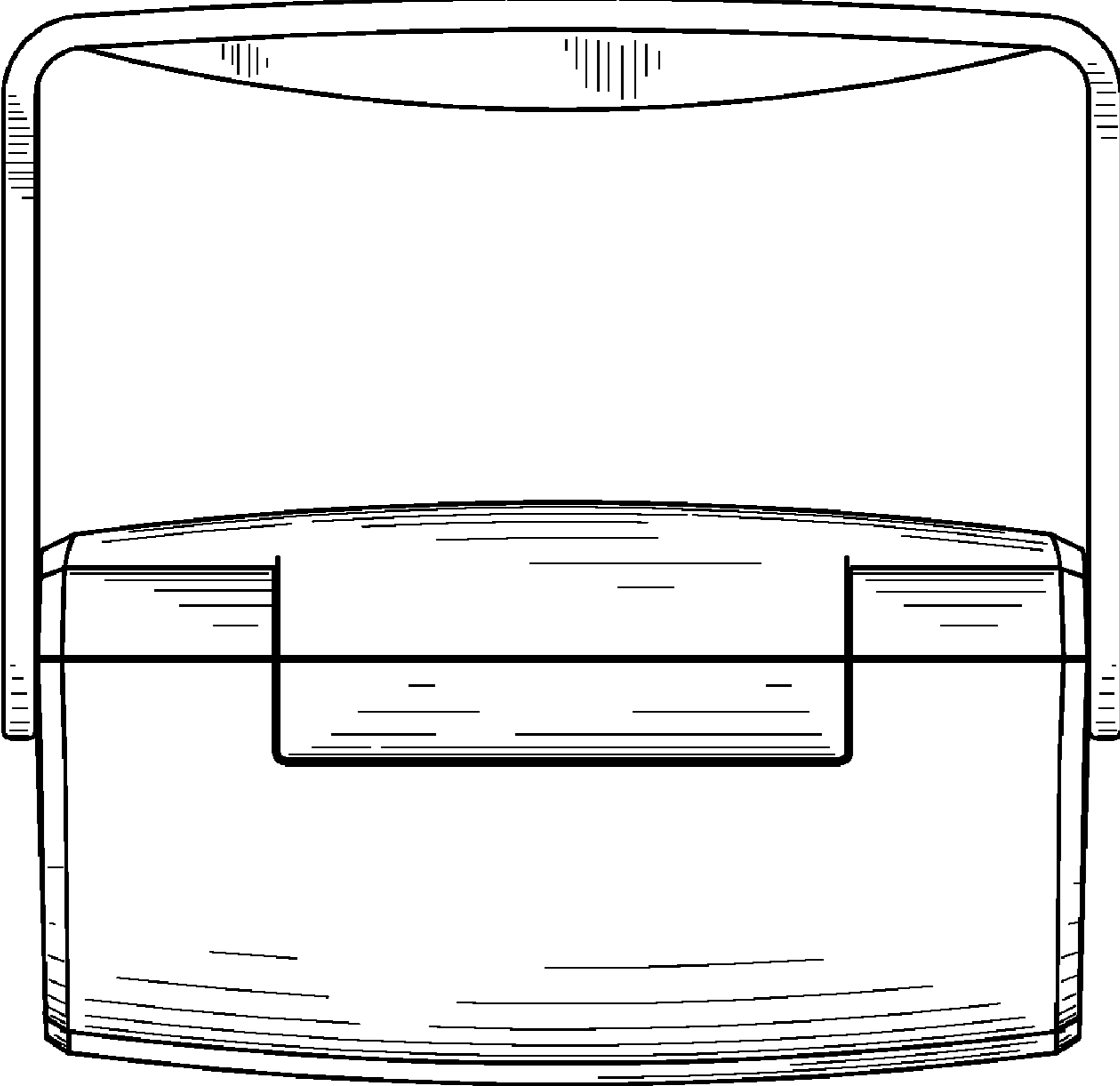
Fig. 8



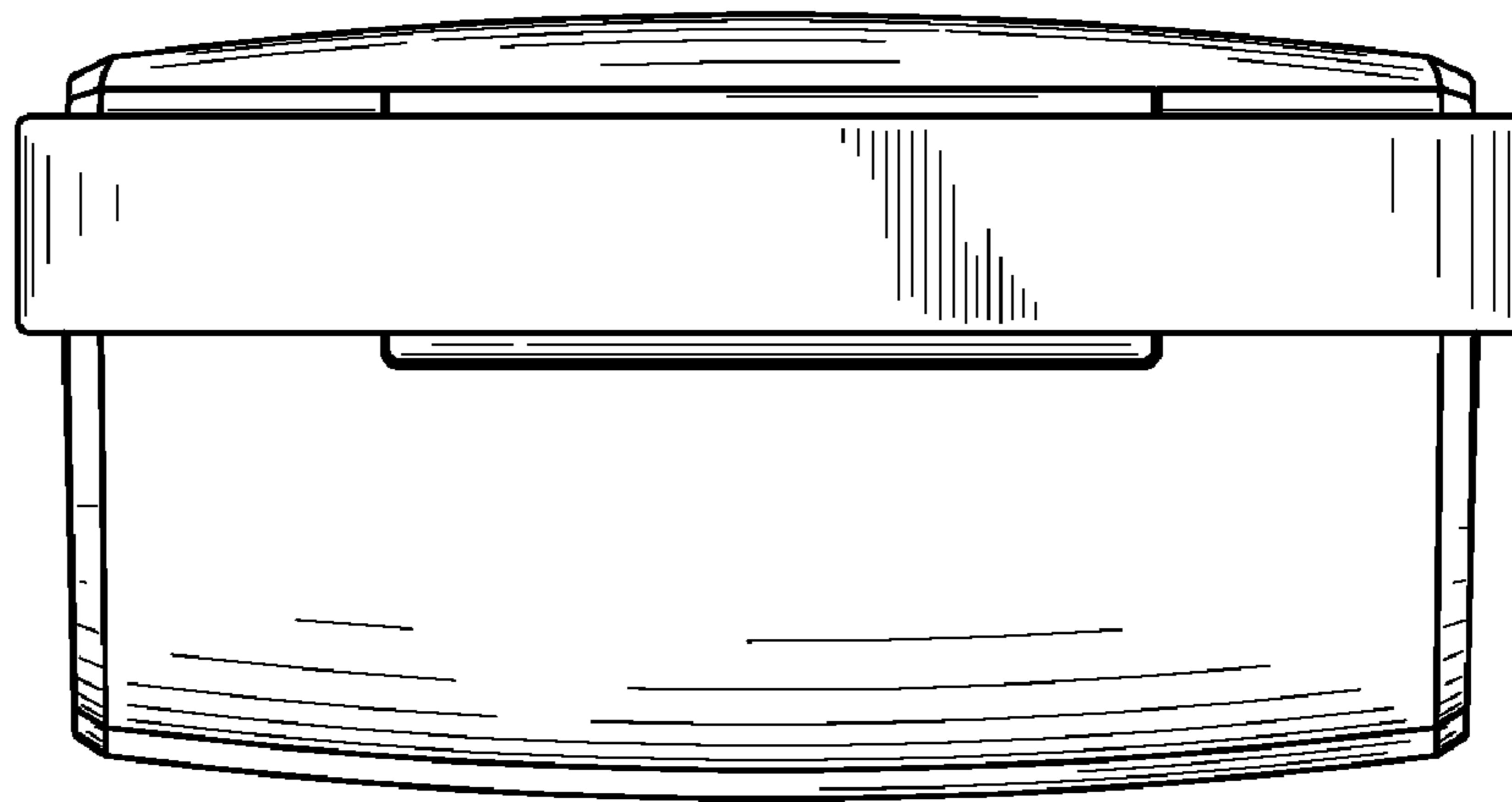
**Fig. 9**



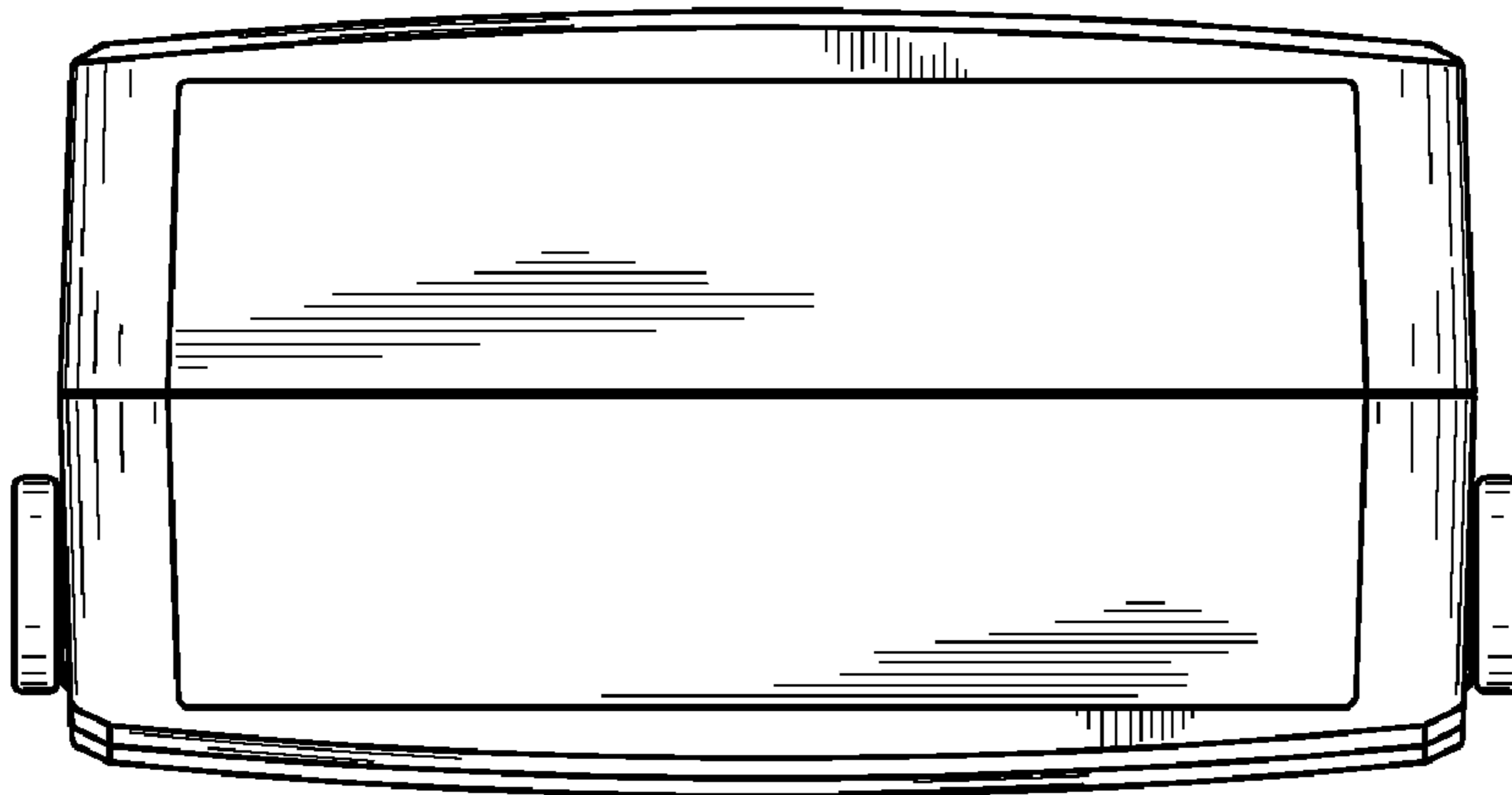
**Fig. 10**



**Fig. 11**



**Fig. 12**



**Fig. 13**