



US00D622878S

(12) **United States Design Patent**
Oropeza

(10) **Patent No.:** **US D622,878 S**

(45) **Date of Patent:** **** Aug. 31, 2010**

(54) **CANDLE HOLDER**

(76) **Inventor:** **Peter Oropeza**, 8608 Boyson St.,
Downey, CA (US) 90241

(**) **Term:** **14 Years**

(21) **Appl. No.:** **29/354,914**

(22) **Filed:** **Jan. 29, 2010**

(51) **LOC (9) Cl.** **26-01**

(52) **U.S. Cl.** **D26/9**

(58) **Field of Classification Search** D26/5,
D26/6, 7, 9, 10, 11, 12, 13, 14, 15, 16, 17,
D26/18, 19, 20, 21, 22, 23, 114-137; D11/117,
D11/121, 125, 131; 428/7-9, 11; 431/291,
431/311, 320, 298; 362/161-163, 351
See application file for complete search history.

(56) **References Cited**

U.S. PATENT DOCUMENTS

D2,905 S *	2/1868	Alexander	D26/50
3,910,753 A *	10/1975	Lee	431/290
D307,638 S *	5/1990	Perkins	D26/11
D442,302 S *	5/2001	Hsu	D26/9

* cited by examiner

Primary Examiner—T. Chase Nelson
Assistant Examiner—Ania K Dworzecka

(74) *Attorney, Agent, or Firm*—QuickPatents, Inc.; Kevin Prince

(57) **CLAIM**

What is claimed is the ornamental design for a candle holder, as shown and described.

DESCRIPTION

FIG. 1 is a perspective view of a candle holder showing my new design;

FIG. 2 is a front elevational view thereof;

FIG. 3 is a rear elevational view thereof;

FIG. 4 is a left-side elevational view thereof;

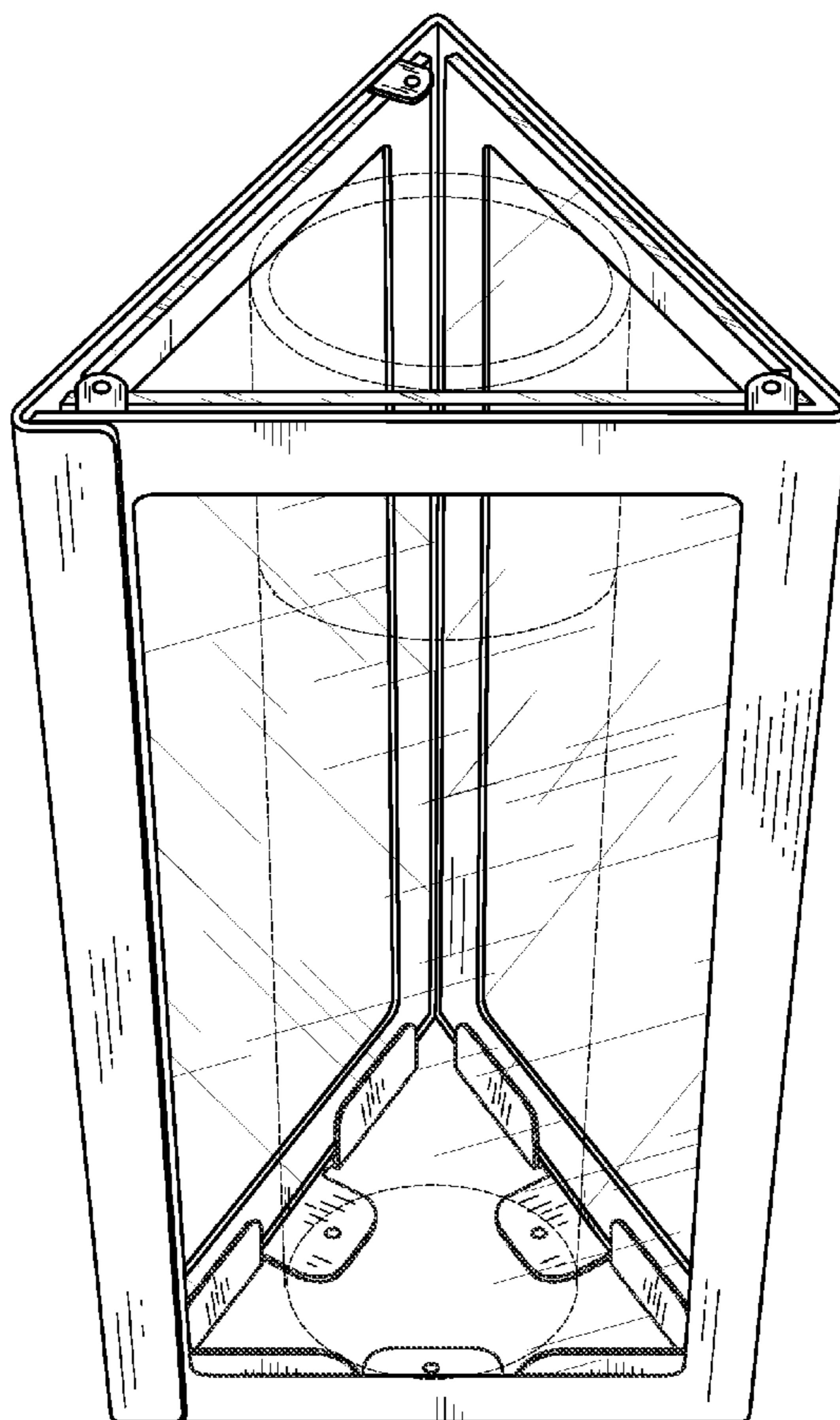
FIG. 5 is a right-side elevational view thereof;

FIG. 6 is a top plan view thereof; and,

FIG. 7 is a bottom plan view thereof.

The broken lines showing a candle in FIGS. 1 and 7 are included for the purpose of illustrating the invention in use, and form no part of the claimed design.

1 Claim, 4 Drawing Sheets



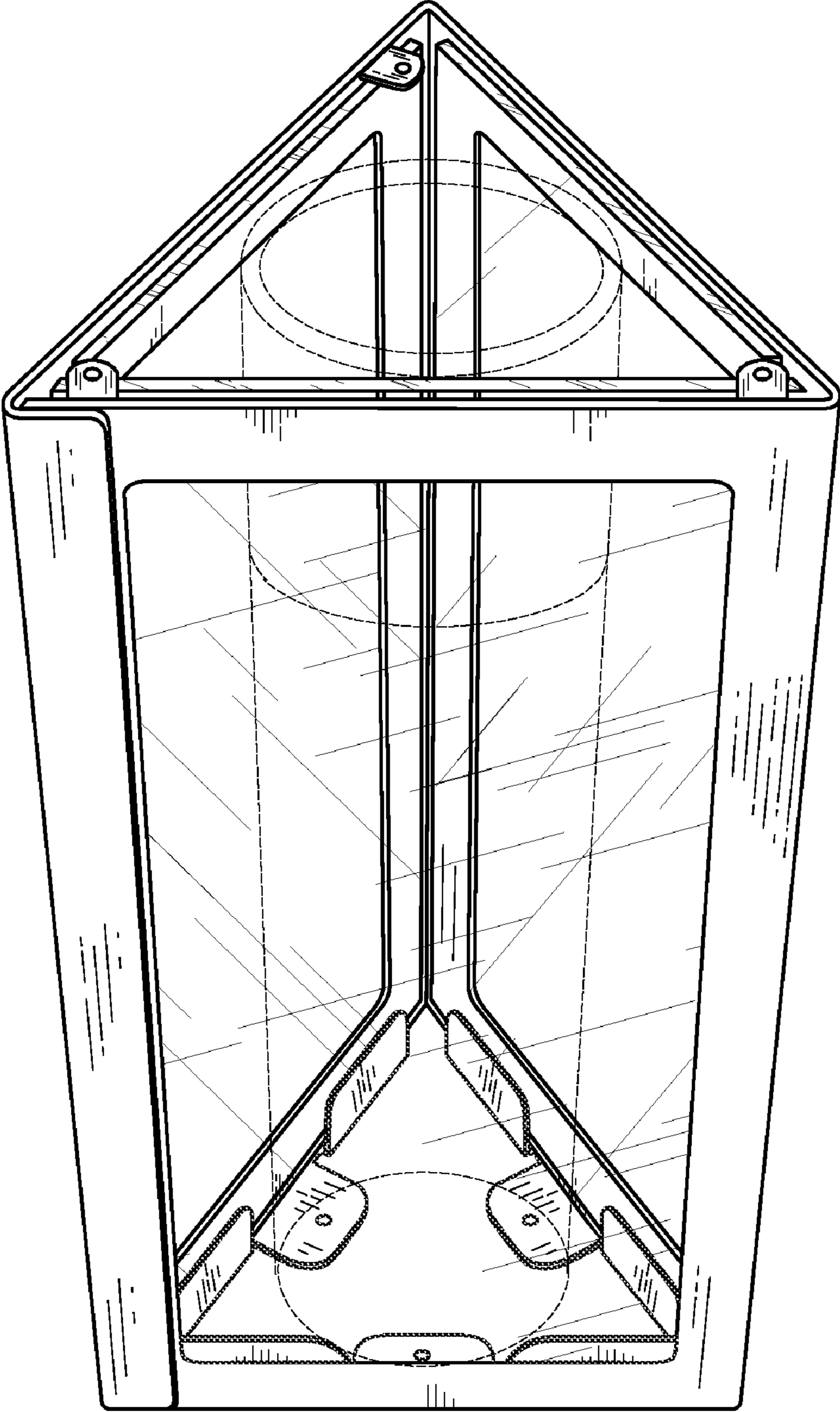


FIG. 1

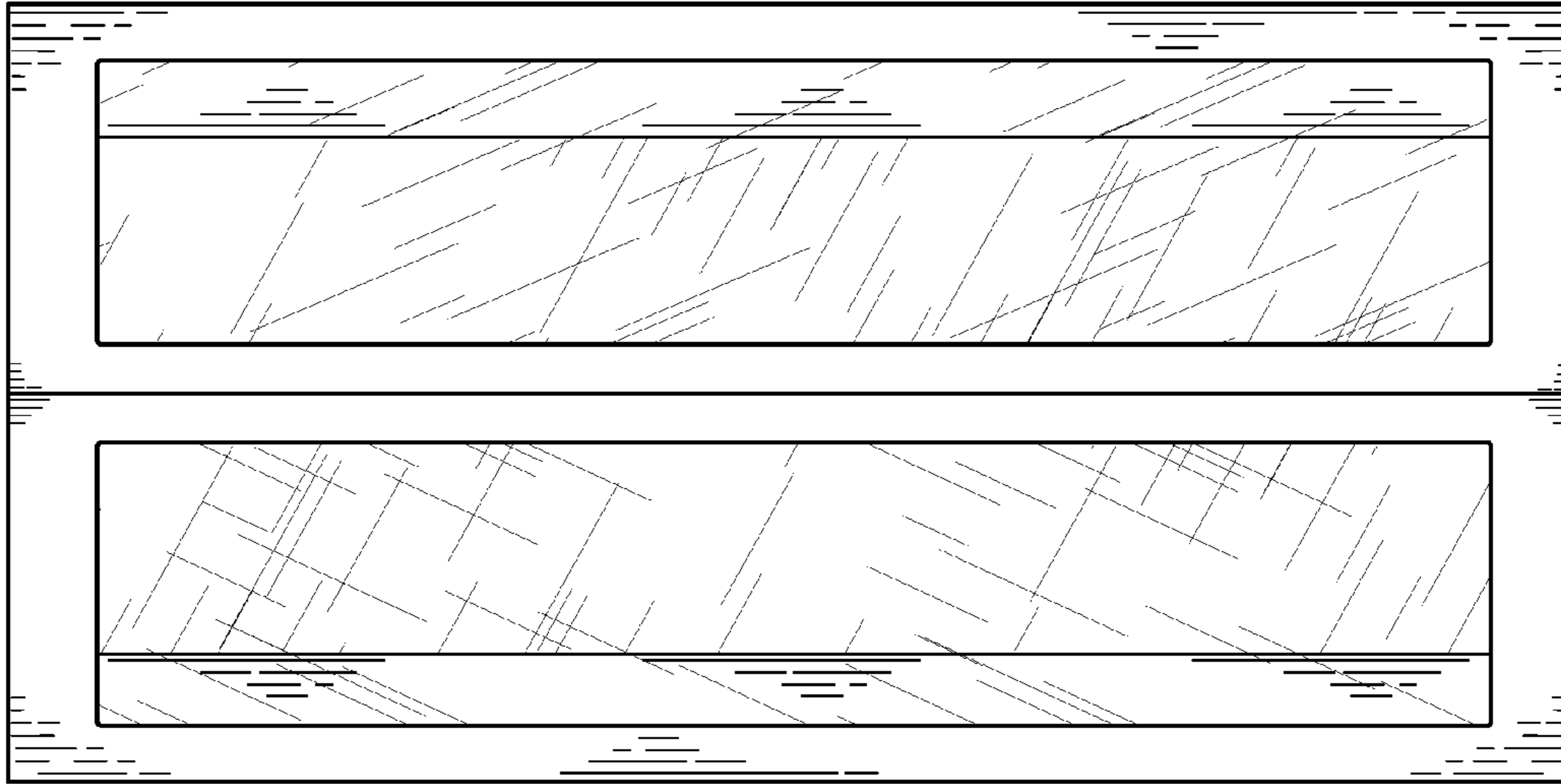


FIG. 3

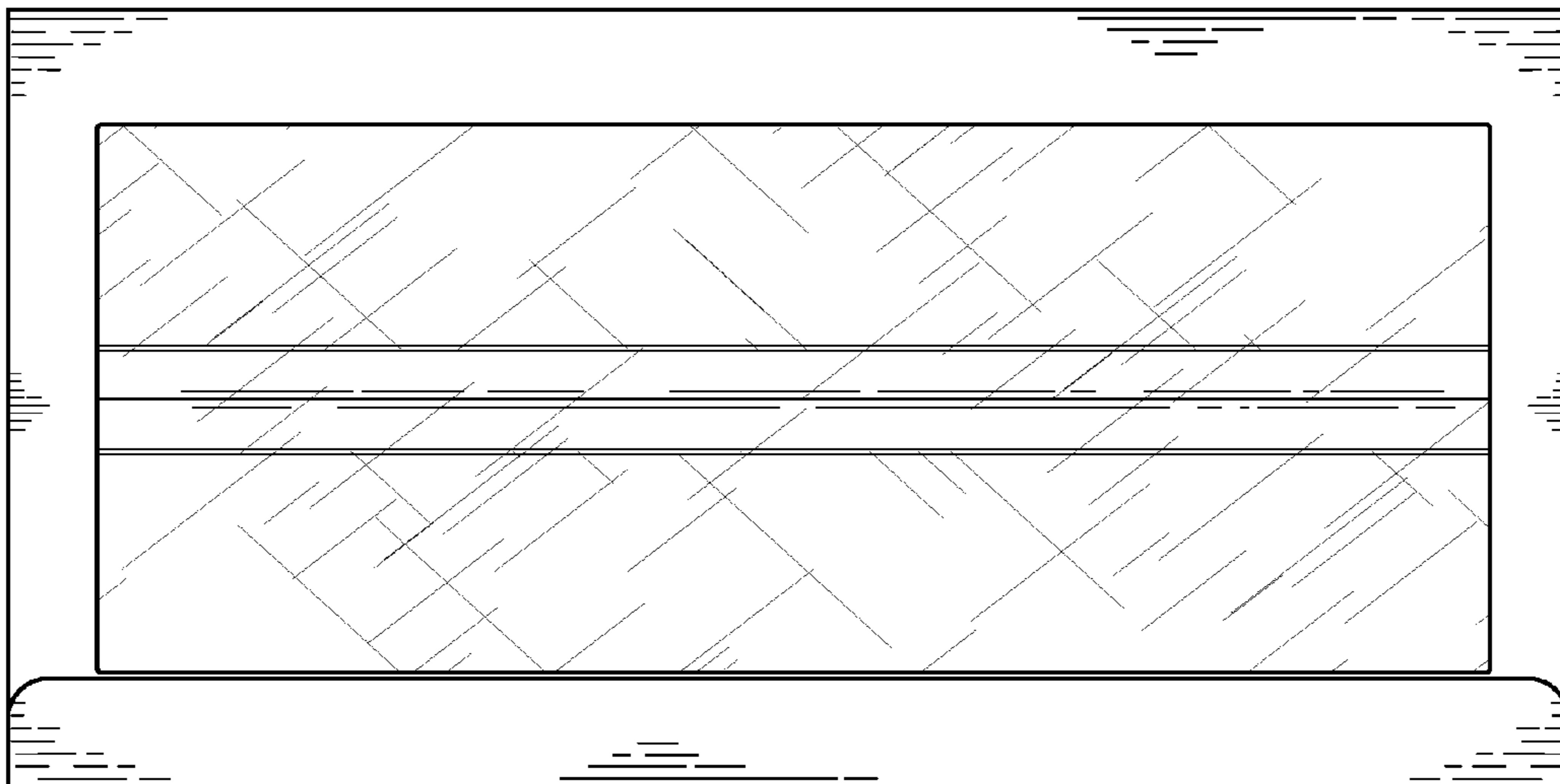


FIG. 2

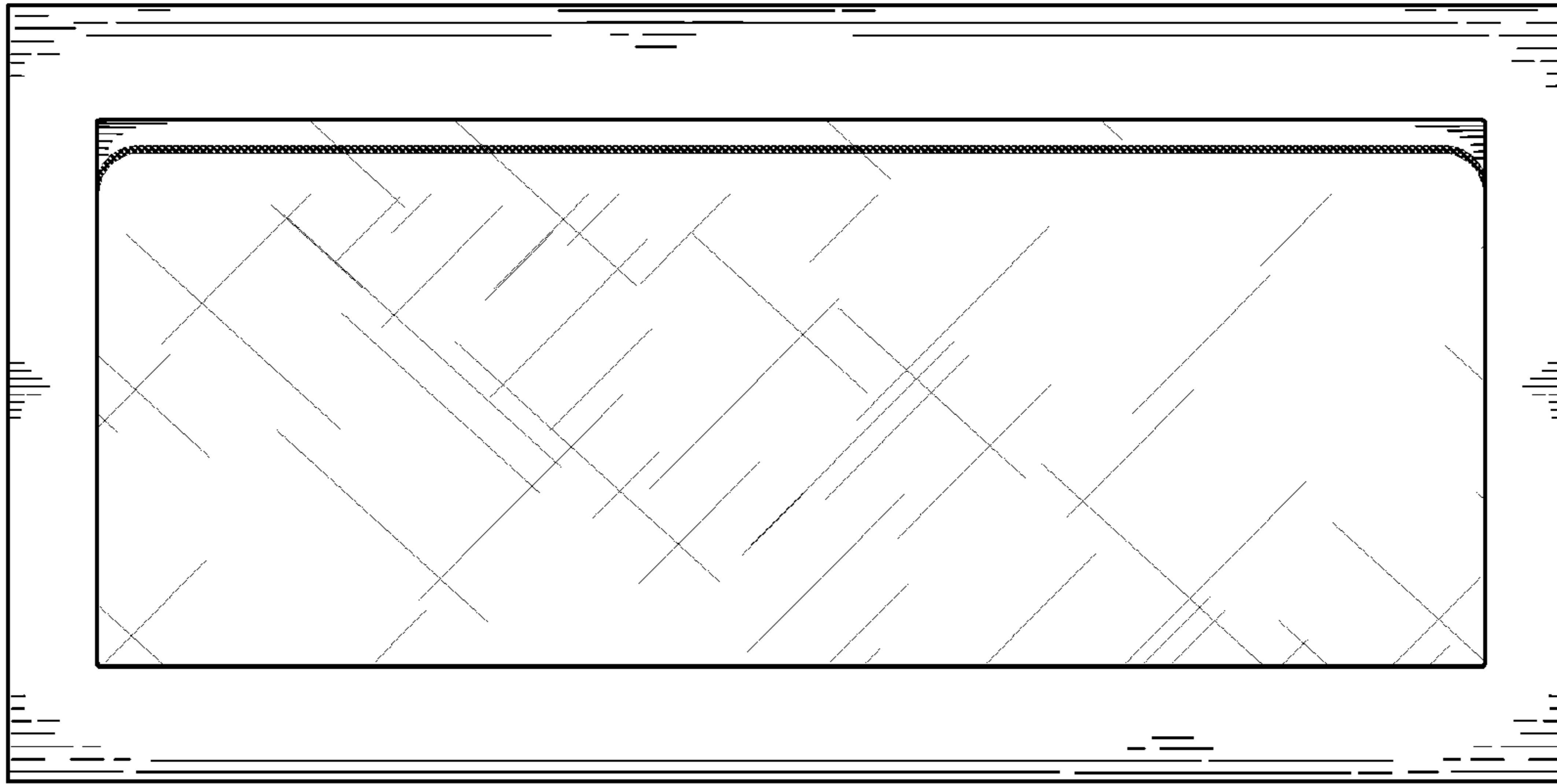


FIG. 5

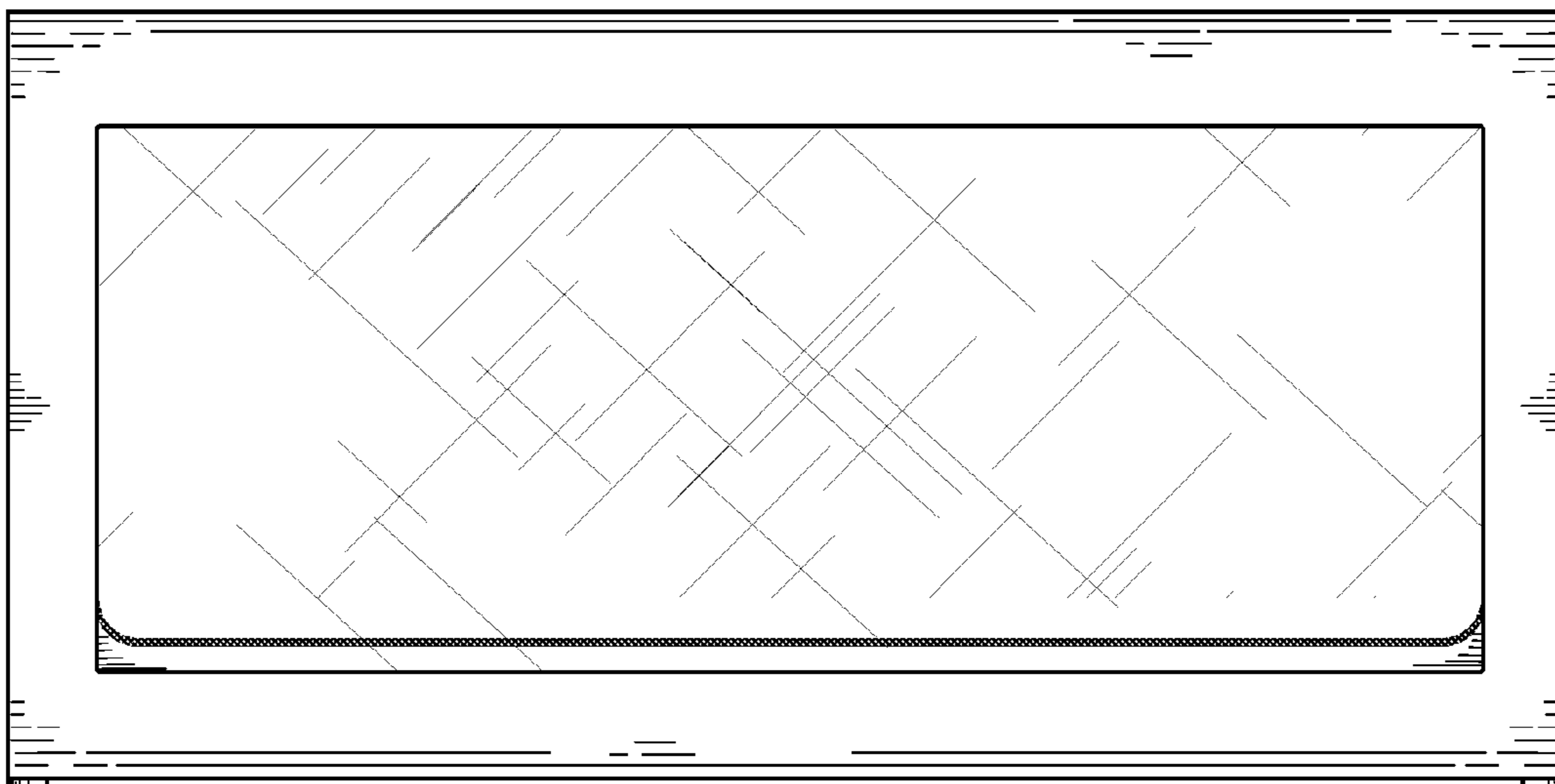


FIG. 4

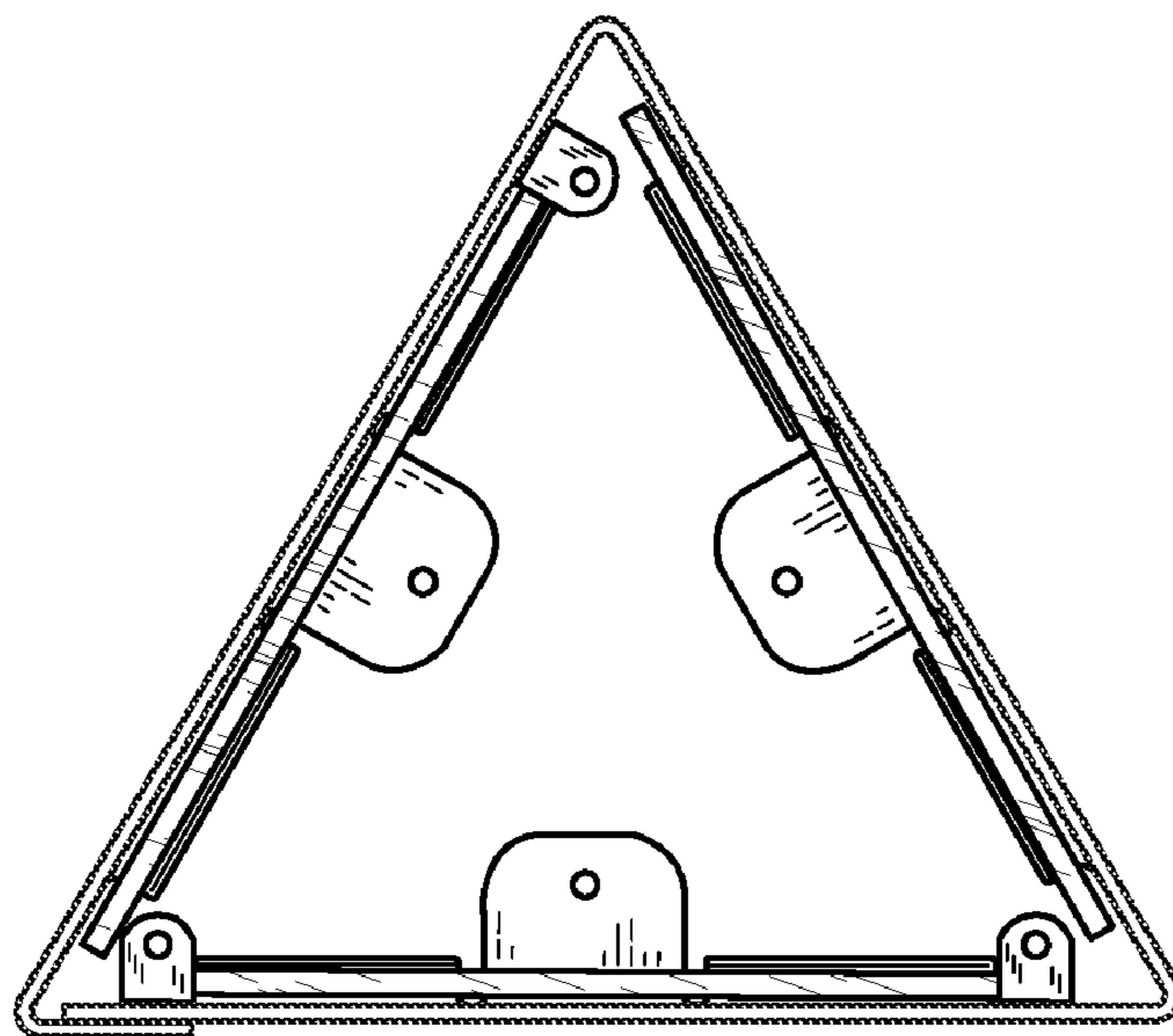


FIG. 6

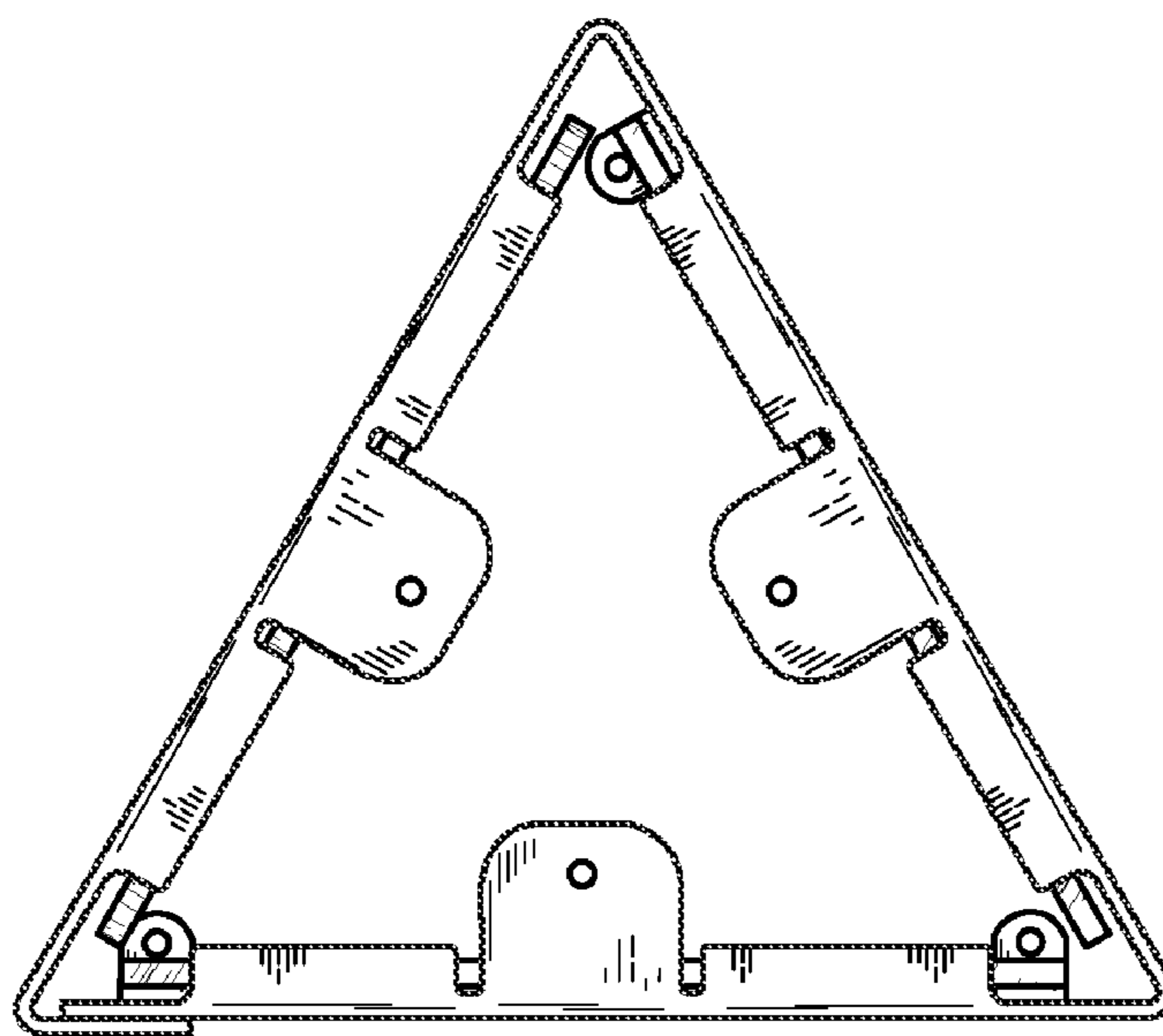


FIG. 7