

US00D622877S

(12) **United States Design Patent**
Seum et al.

(10) **Patent No.:** **US D622,877 S**

(45) **Date of Patent:** **** Aug. 31, 2010**

(54) **CANDLE**

(75) Inventors: **Michael Thomas Seum**, Cincinnati, OH (US); **Norio Fujikawa**, San Francisco, CA (US); **Shujan Sung Bertrand**, San Francisco, CA (US); **Anh Tuan Nguyen**, Portland, OR (US)

(73) Assignee: **The Procter & Gamble Company**, Cincinnati, OH (US)

(**) Term: **14 Years**

(21) Appl. No.: **29/291,314**

(22) Filed: **Aug. 23, 2007**

(51) **LOC (9) Cl.** **26-04**

(52) **U.S. Cl.** **D26/6**

(58) **Field of Classification Search** D26/5, D26/6, 7, 9, 10, 11, 12, 13, 14, 15, 16, 17, D26/18, 19, 20, 21, 22, 23, 114-137; D11/117, D11/121, 125, 131; 428/7-9, 11; 431/291, 431/311, 320, 298; 362/161-163, 351
See application file for complete search history.

(56) **References Cited**

U.S. PATENT DOCUMENTS

3,855,464	A *	12/1974	Angelo	431/297
6,241,512	B1	6/2001	Freeman et al.		
D450,861	S *	11/2001	Murdick	D26/7
D459,498	S *	6/2002	Araujo	D26/6
6,435,694	B1	8/2002	Bell et al.		
D496,474	S *	9/2004	Murdick	D26/7

2003/0104330	A1	6/2003	Joyner
2007/0169404	A1	7/2007	Cagle
2007/0169405	A1	7/2007	Cagle
2008/0081305	A1	4/2008	Horenziak et al.

OTHER PUBLICATIONS

U.S. Appl. No. 29/291,315, filed Aug. 23, 2007, Seum.

(Continued)

Primary Examiner—T. Chase Nelson

Assistant Examiner—Ania K Dworzecka

(74) *Attorney, Agent, or Firm*—Julia A. Glazer; Leonard W. Lewis; Steven W. Miller

(57) **CLAIM**

The ornamental design for a candle, as shown and described.

DESCRIPTION

FIG. 1 is a perspective view of a portion of a candle showing our new design.

FIG. 2 is a front elevation view of the candle of FIG. 1.

FIG. 3 is a rear elevation view of the candle of FIG. 1.

FIG. 4 is a left side elevation view of the candle of FIG. 1.

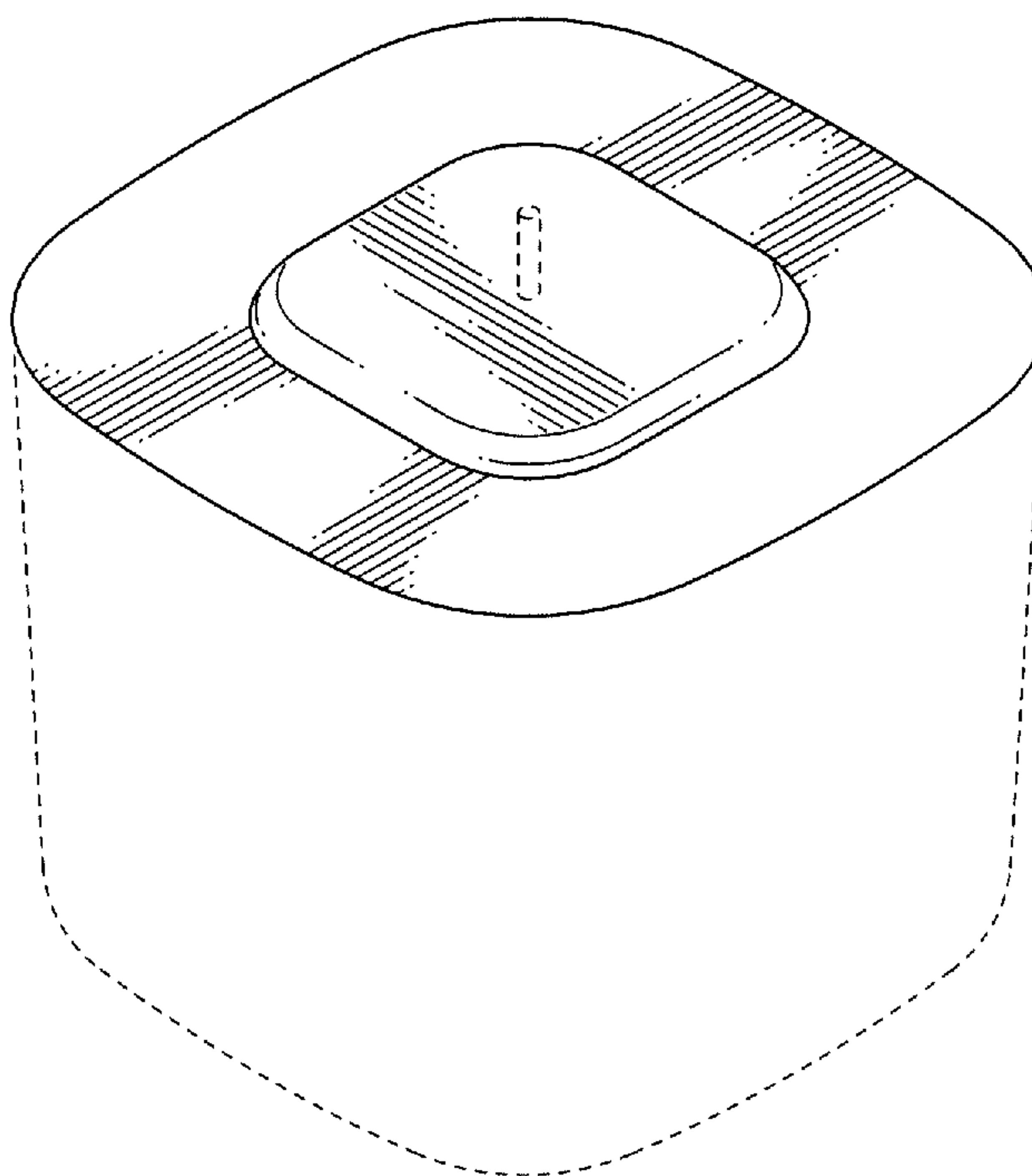
FIG. 5 is a right side elevation view of the candle of FIG. 1.

FIG. 6 is a top plan view of the candle of FIG. 1; and,

FIG. 7 is a bottom plan view of the candle of FIG. 1.

The broken line showing of environmental structure in the figures is for illustrative purposes only and forms no part of the claimed design.

1 Claim, 7 Drawing Sheets



OTHER PUBLICATIONS

U.S. Appl. No. 29/266,585, filed Sep. 25, 2006, Horezniak.
U.S. Appl. No. 29/286,997, filed May 25, 2007, Horezniak.
U.S. Appl. No. 29/266,593, filed May 25, 2006, Horezniak.
U.S. Appl. No. 29/288,012, filed May 25, 2007, Horezniak.
U.S. Appl. No. 29/266,583, filed Sep. 25, 2006, Horezniak.

U.S. Appl. No. 29/288,002, filed May 25, 2007, Horezniak.
www.candlewic.com/candle-making-newsletter/0106.asp—Jan.
2006 How to Make Candles, Candle Making Newsletter, printed Sep.
25, 2006, 7 pages.
<http://oami.europa.eu/RCDOnline/RequestManager>—European
Registered Community Design 000078829-0001.

* cited by examiner

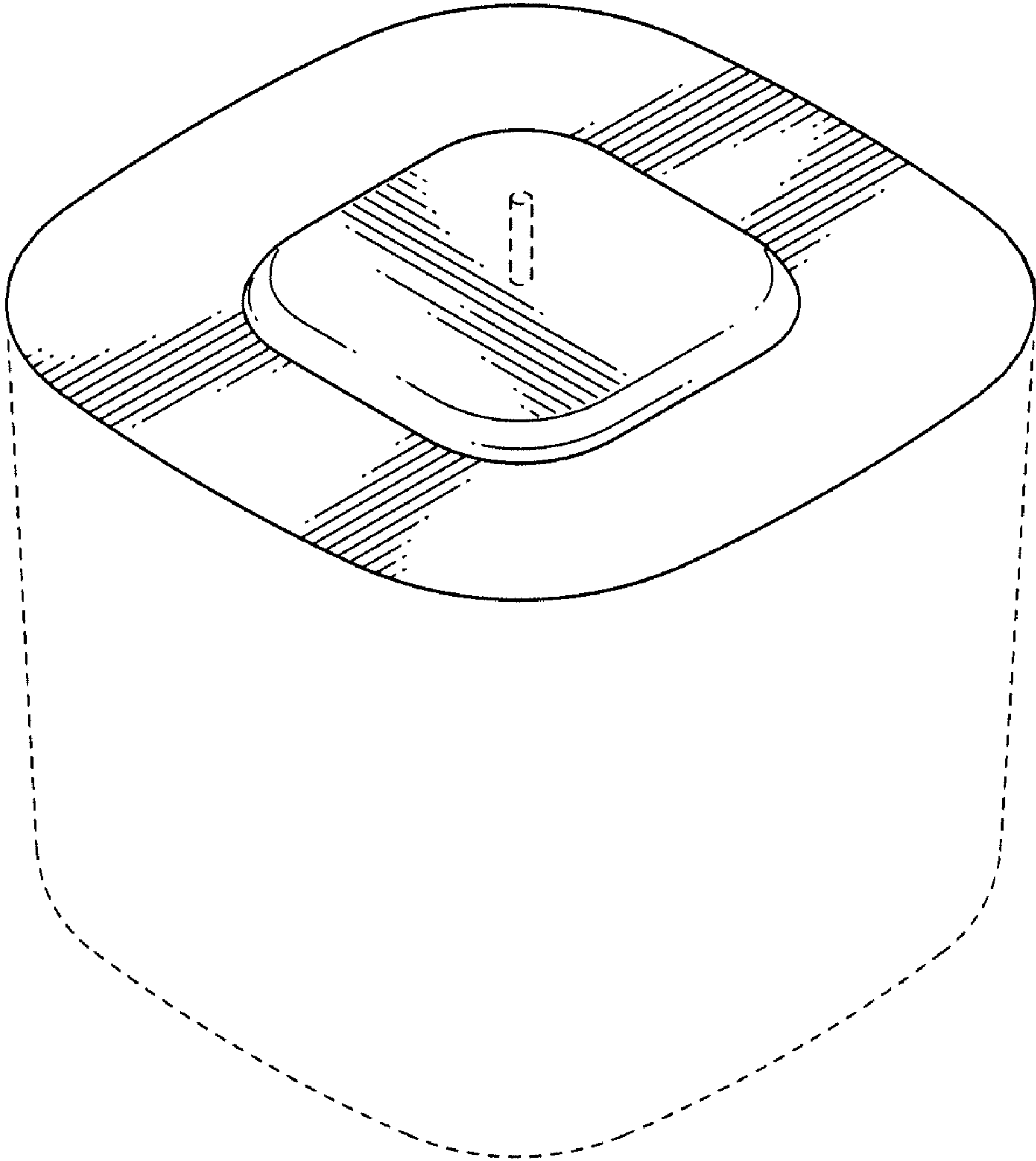


Fig. 1

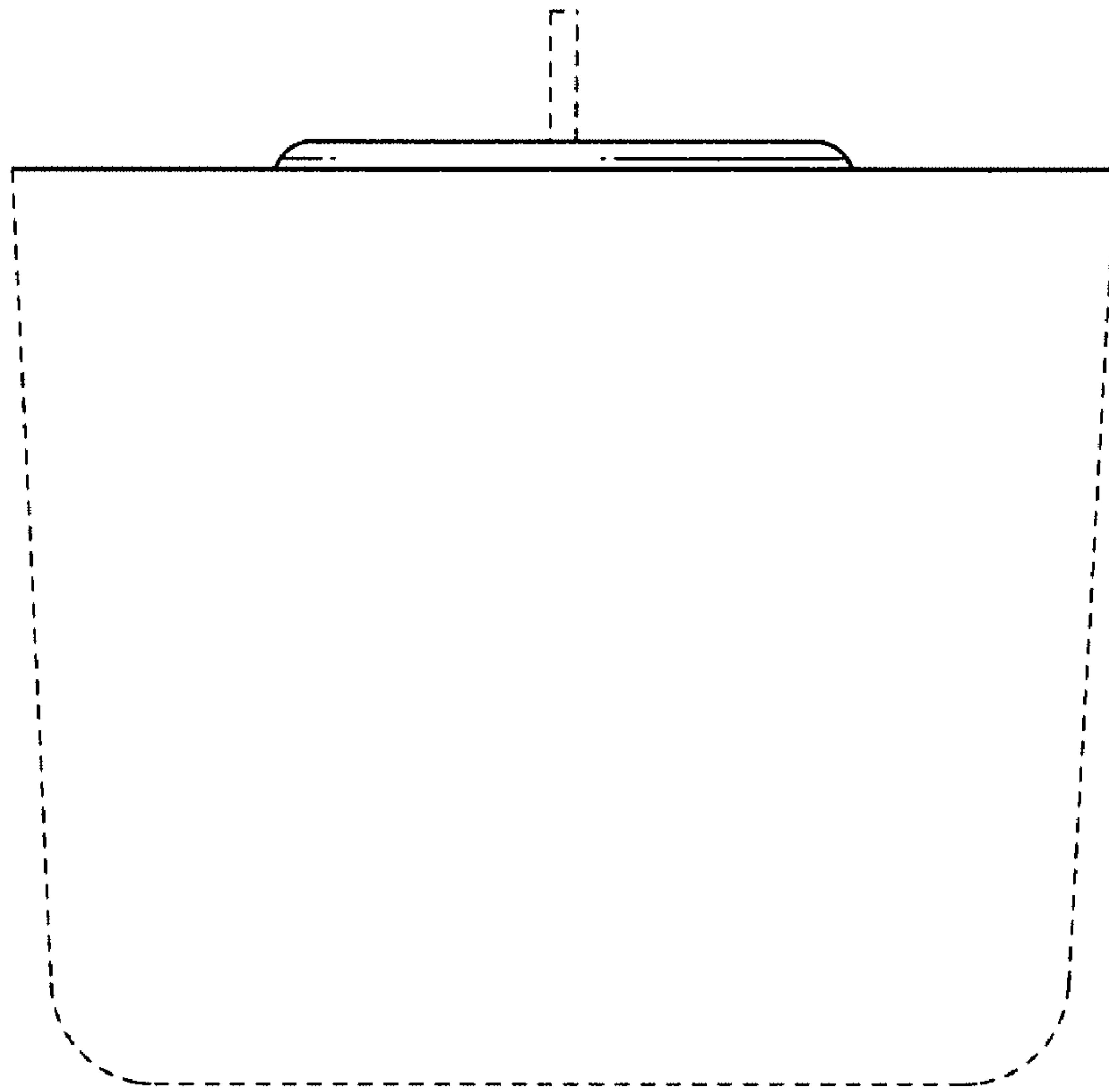


Fig. 2

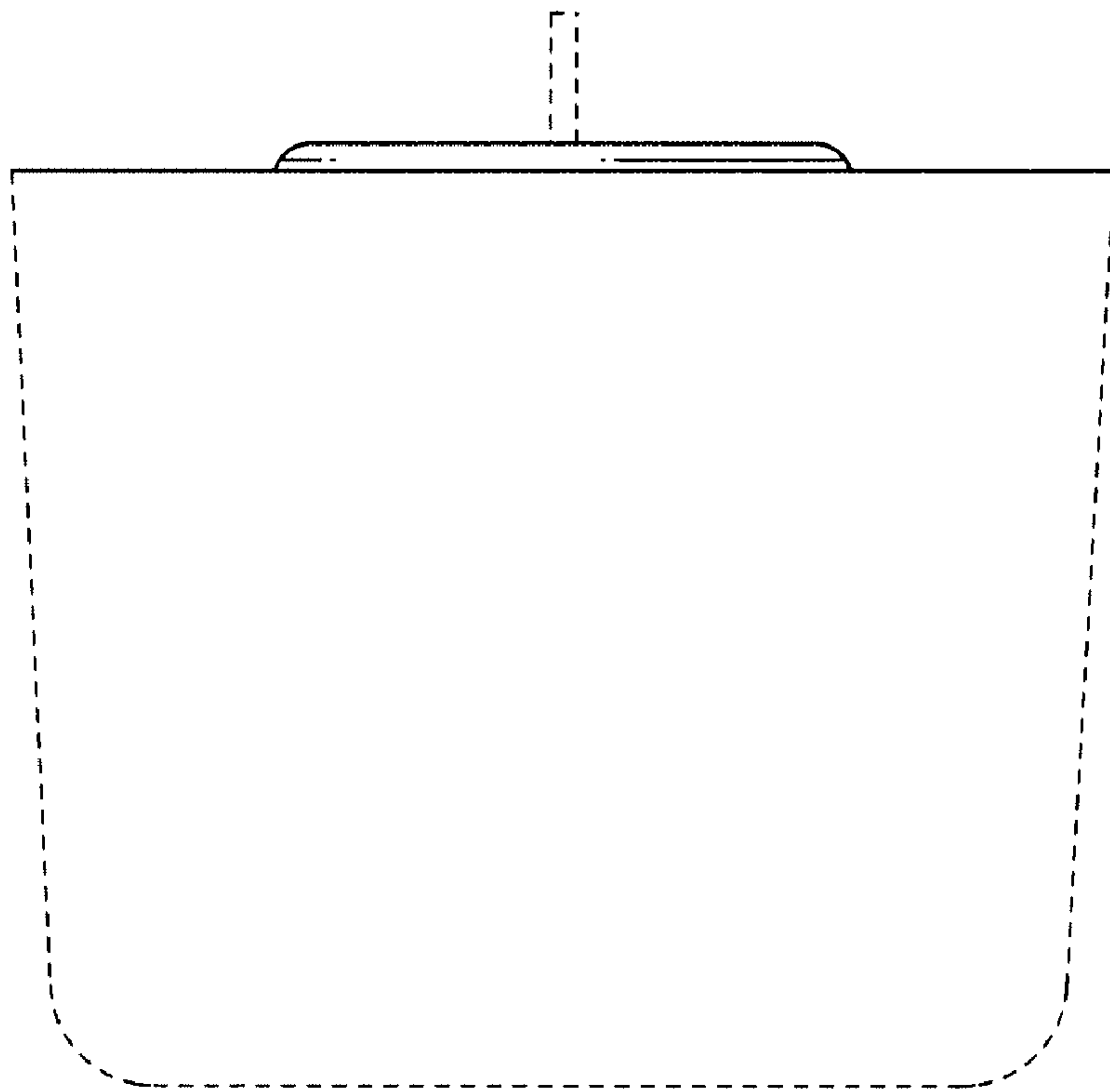


Fig. 3

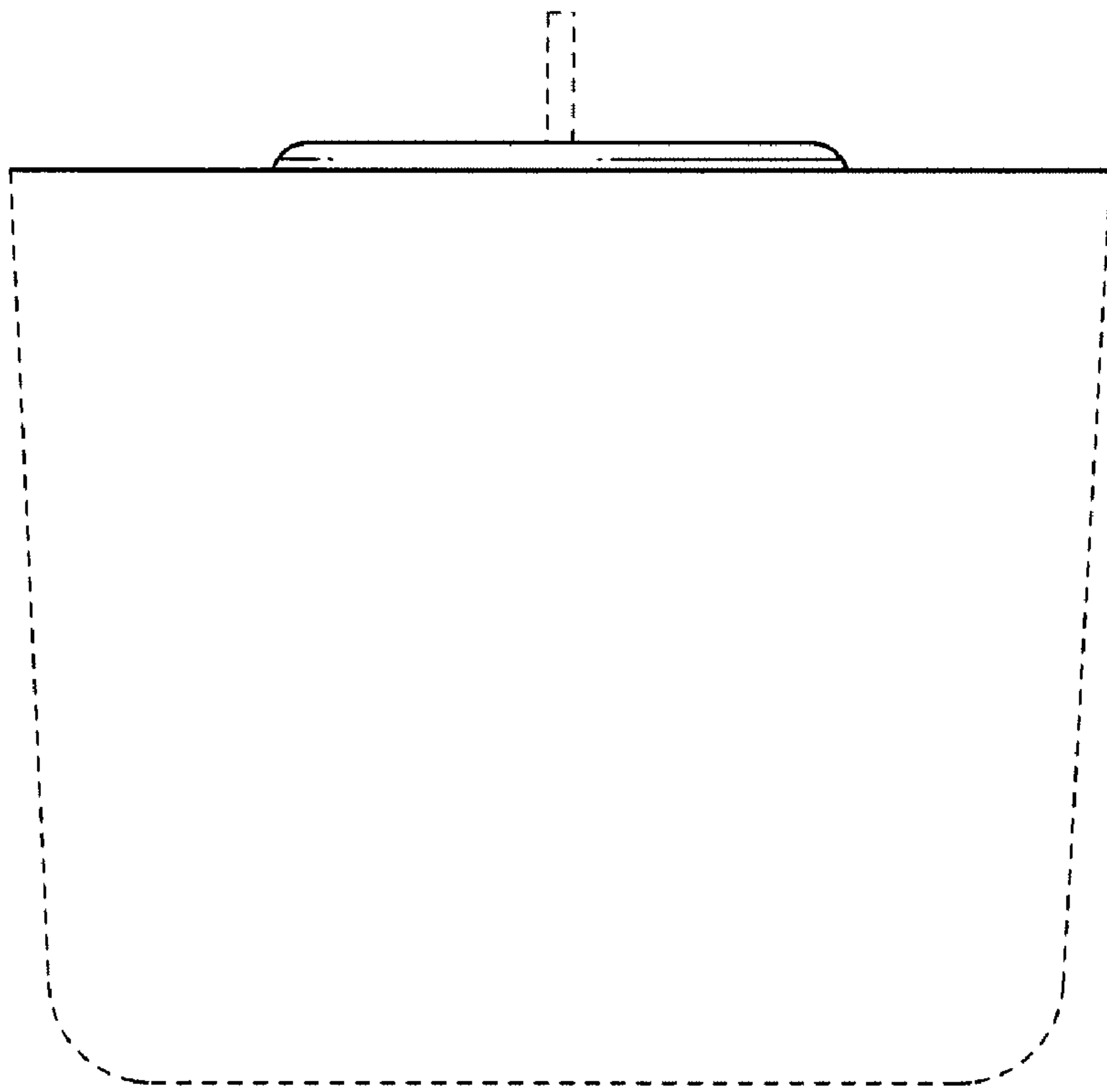


Fig. 4

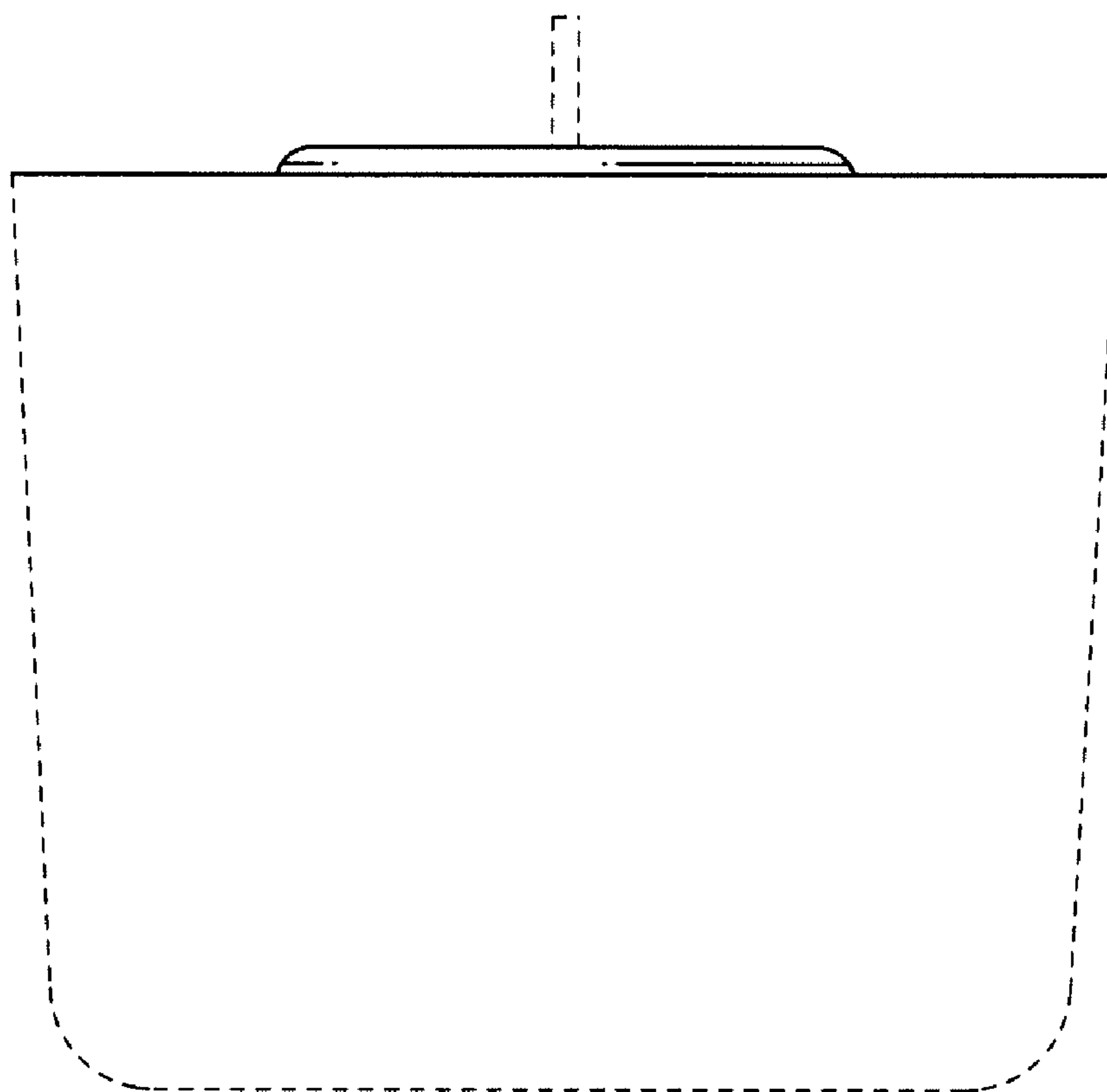


Fig. 5

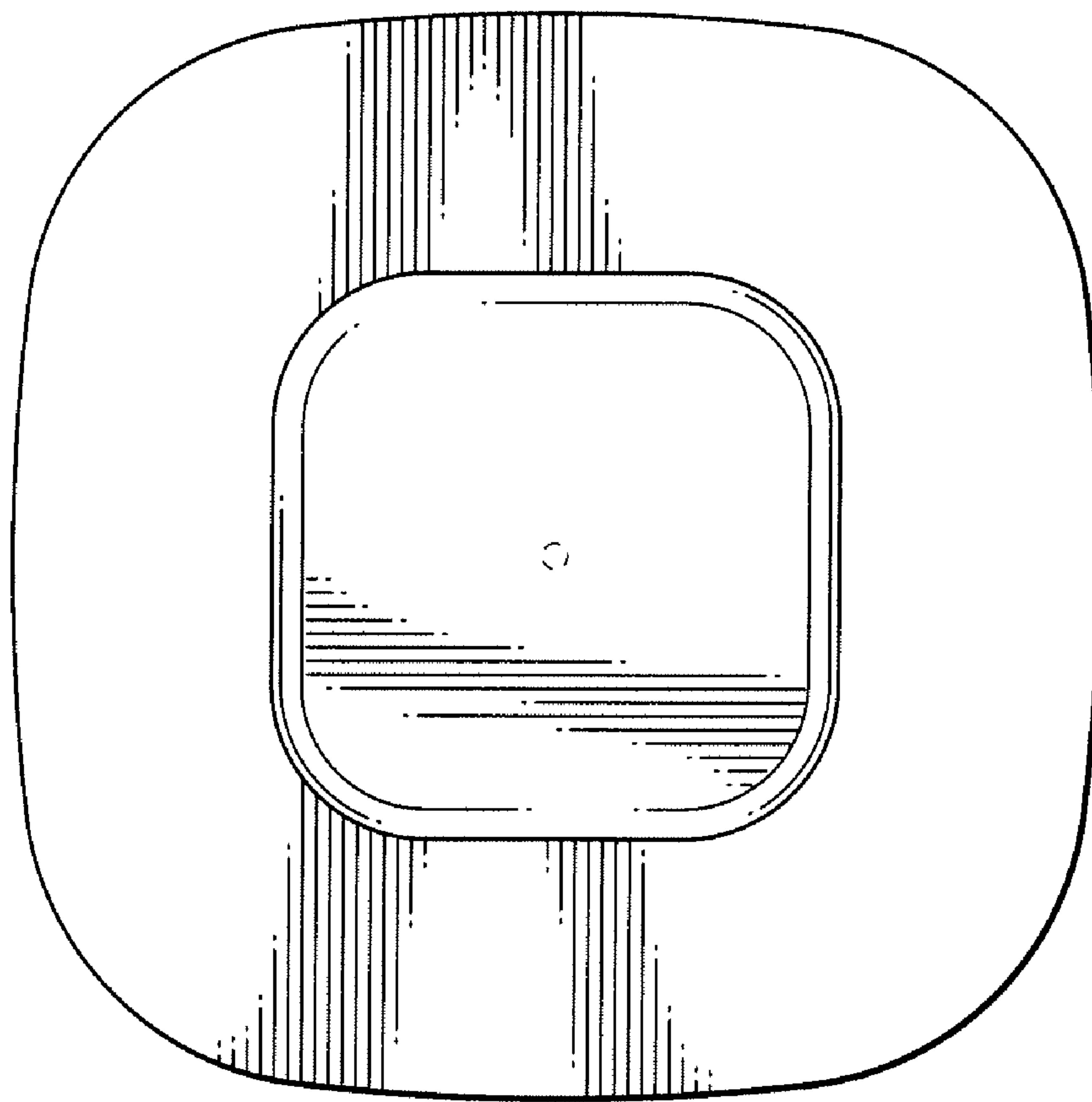


Fig. 6

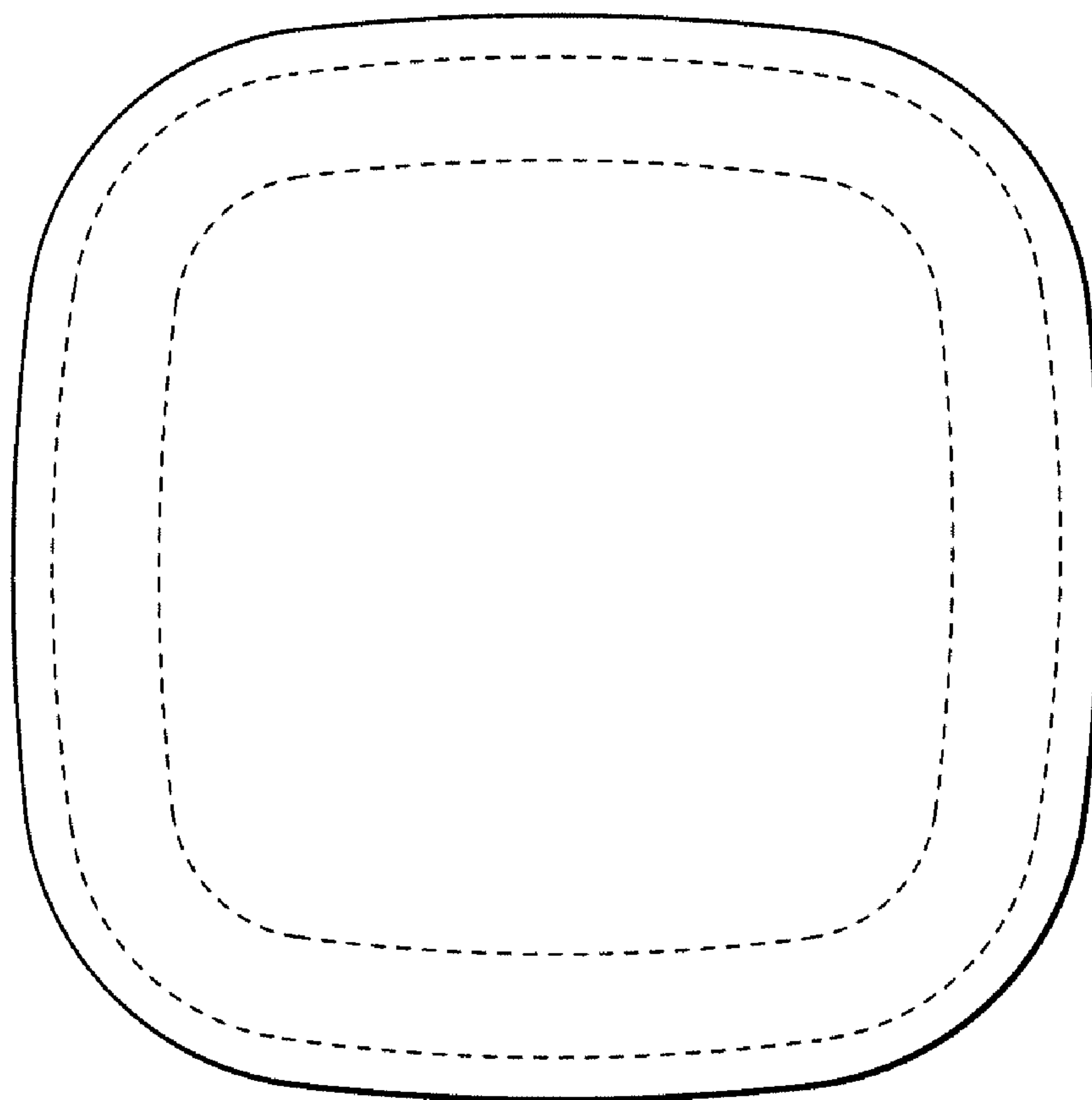


Fig. 7