



US00D622876S

(12) **United States Design Patent**  
**Takahashi et al.**

(10) **Patent No.:** **US D622,876 S**

(45) **Date of Patent:** **\*\* Aug. 31, 2010**

(54) **LIGHT EMITTING DIODE MODULE**

D577,690 S \* 9/2008 Shida et al. .... D13/180  
D598,401 S \* 8/2009 Takada et al. .... D13/182

(75) Inventors: **Akimichi Takahashi**, Tokyo (JP);  
**Tadashi Takada**, Tokyo (JP)

FOREIGN PATENT DOCUMENTS

(73) Assignee: **Toshiba Lighting & Technology Corporation**, Tokyo (JP)

JP D1304712 5/2007

(\*\*) Term: **14 Years**

\* cited by examiner

(21) Appl. No.: **29/326,628**

*Primary Examiner*—Marcus A Jackson  
(74) *Attorney, Agent, or Firm*—Jianq Chyun IP Office

(22) Filed: **Oct. 22, 2008**

(30) **Foreign Application Priority Data**

Apr. 25, 2008 (JP) ..... 2008-010613

(57) **CLAIM**

The ornamental design for a light emitting diode module, as shown and described.

(51) **LOC (9) Cl.** ..... **26-06**

**DESCRIPTION**

FIG. 1 is a perspective view of a light emitting diode module showing our new design;

(52) **U.S. Cl.** ..... **D26/1**

FIG. 2 is a front view thereof, the rear view, the left side view, and the right side view being mirror images of the front view;

(58) **Field of Classification Search** ..... D26/1-2;  
D13/180; 313/483, 498, 500; 362/555, 800  
See application file for complete search history.

FIG. 3 is a top view thereof; and,

FIG. 4 is a bottom view thereof.

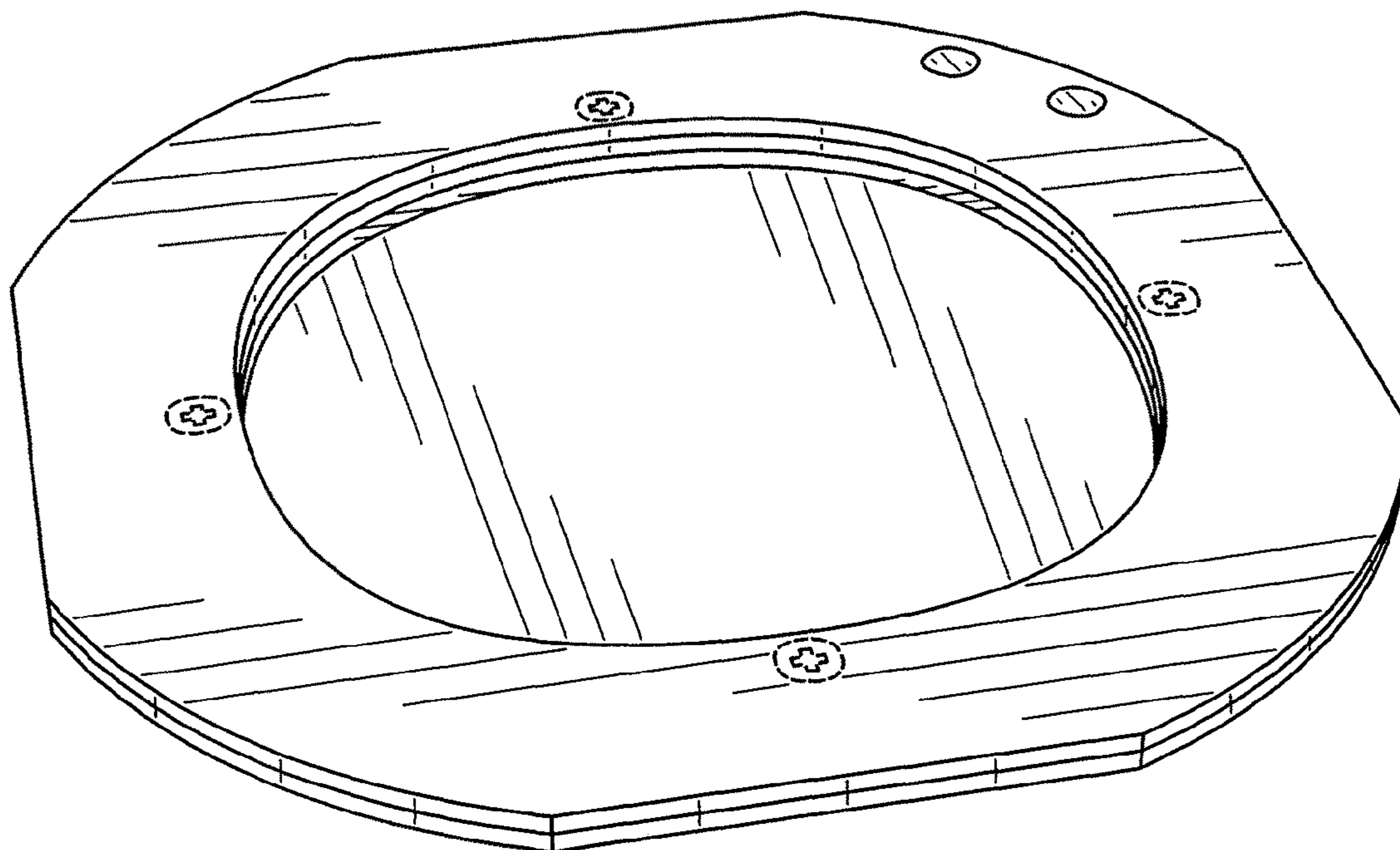
The broken lines shown in FIGS. 1-4 are for illustrative purposes only and do not form part of the claimed design.

(56) **References Cited**

U.S. PATENT DOCUMENTS

D528,996 S \* 9/2006 Egawa ..... D13/180  
D573,553 S \* 7/2008 Uemoto et al. .... D13/180

**1 Claim, 4 Drawing Sheets**



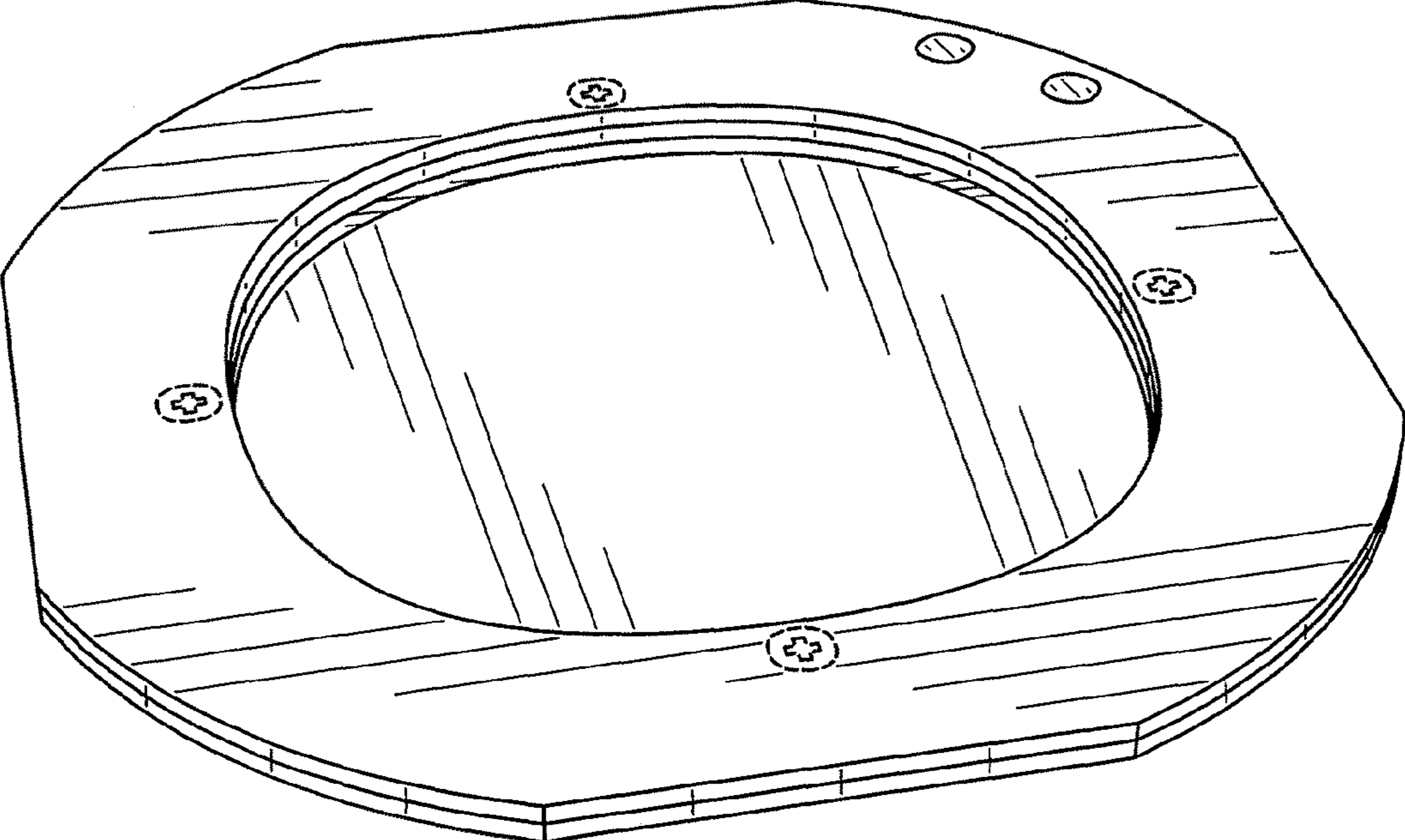


FIG. 1

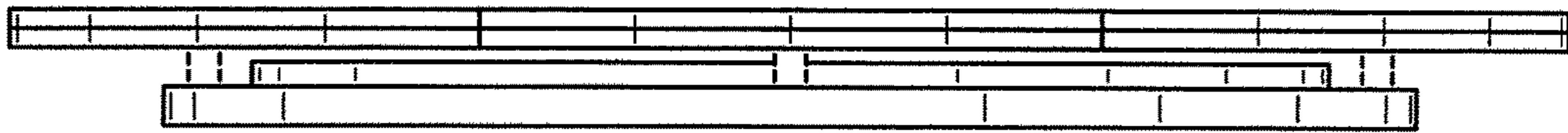


FIG. 2

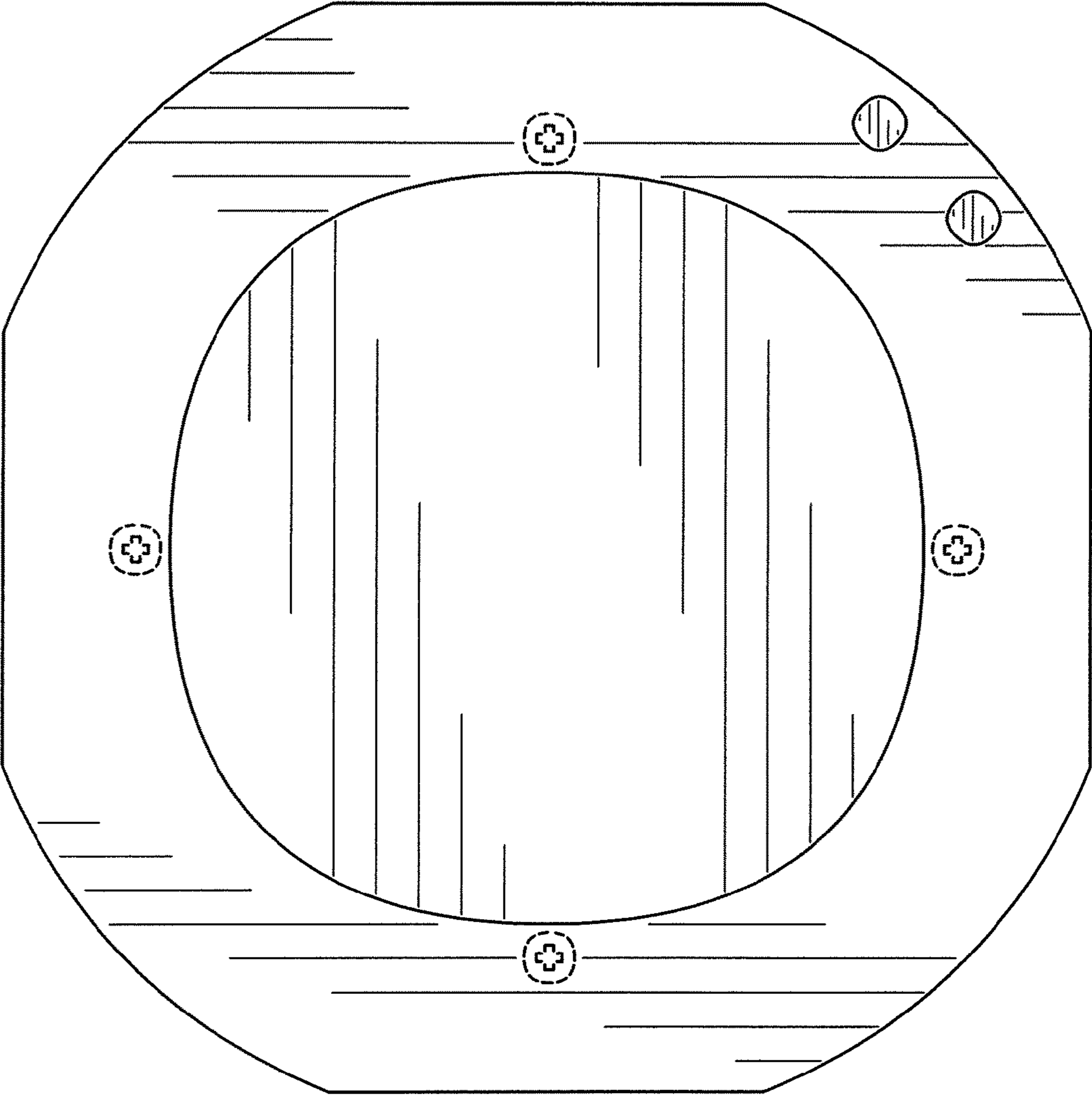


FIG. 3

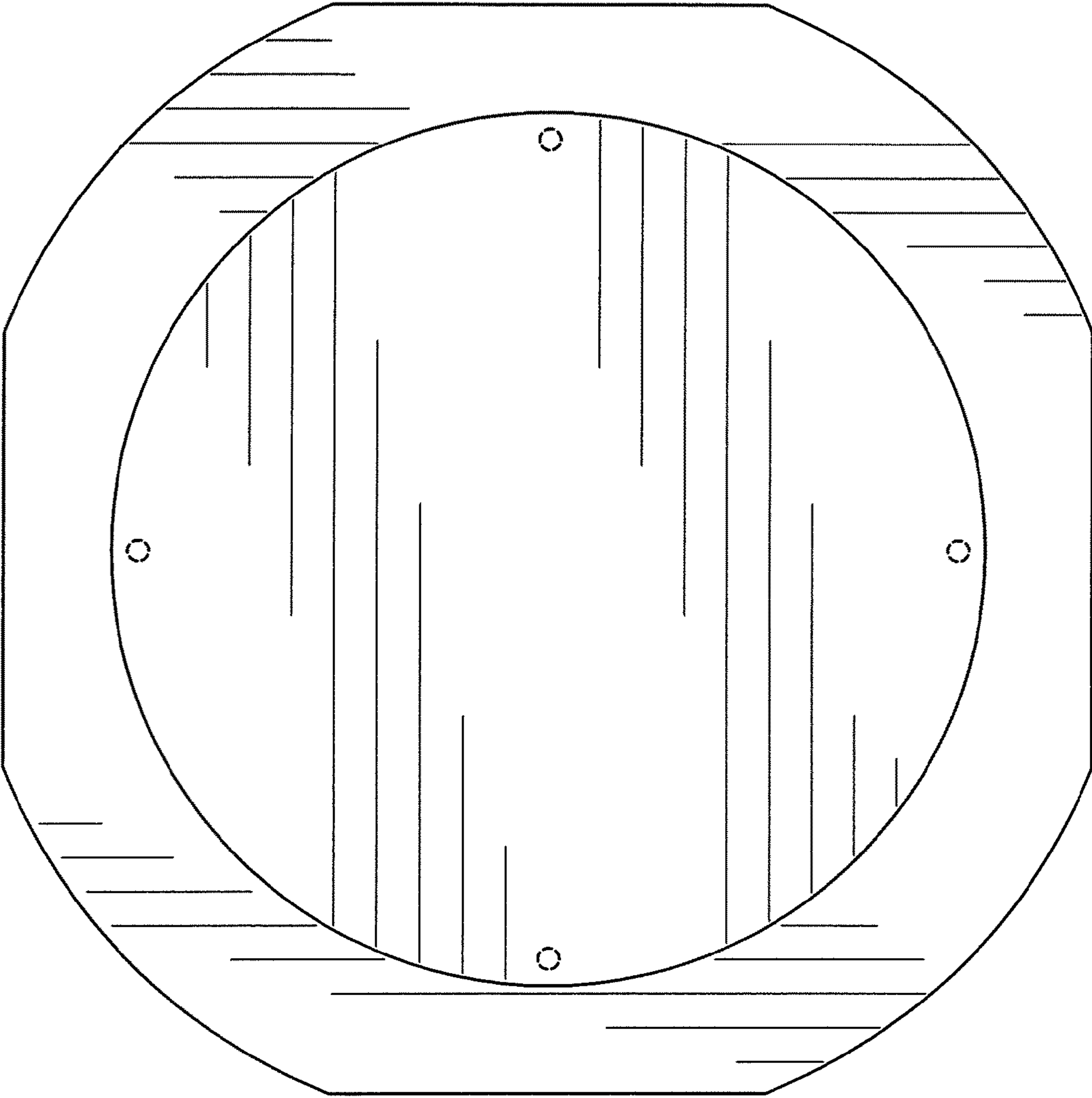


FIG. 4