



US00D622875S

(12) **United States Design Patent**
Tinen

(10) **Patent No.:** **US D622,875 S**
(45) **Date of Patent:** **** Aug. 31, 2010**

(54) **FIBER CEMENT SHINGLE PANEL WITH KEYWAYS**

(75) Inventor: **William J. Tinen**, Trabuco Canyon, CA (US)

(73) Assignee: **James Hardie Technology Limited**, Dublin (IE)

(**) Term: **14 Years**

(21) Appl. No.: **29/323,361**

(22) Filed: **Aug. 23, 2008**

(51) **LOC (9) Cl.** **25-01**

(52) **U.S. Cl.** **D25/139**

(58) **Field of Classification Search** D25/138-164;
52/478, 514, 518-530, 533-536, 539, 541,
52/545, 547, 554-555, 557

See application file for complete search history.

(56) **References Cited**

U.S. PATENT DOCUMENTS

33,620	A	10/1861	Whytock	
1,329,794	A	2/1920	Moomaw	
1,650,285	A	11/1927	Lindley	
3,667,184	A	6/1972	Merrill et al.	
D265,510	S	7/1982	Bedwell, Jr.	
4,499,701	A *	2/1985	Bockwinkel et al.	52/555
D348,317	S	6/1994	Thomas et al.	
D372,545	S *	8/1996	Schultz	D25/138
D415,848	S	10/1999	Plath et al.	
D449,897	S	10/2001	Croft	

OTHER PUBLICATIONS

U.S. Appl. No. 61/091,344 entitled "Building Plank with Shaped Channels and Assembly Thereof", filed Aug. 23, 2008; first-named inventor: M.J. Benjamin.

Primary Examiner—Catherine R Oliver

(74) *Attorney, Agent, or Firm*—Gardere Wynne Sewell LLP

(57) **CLAIM**

The ornamental design for a fiber cement shingle panel with keyways, as shown and described.

DESCRIPTION

FIG. 1 is a front perspective view of a fiber cement shingle panel with keyways showing my new design;

FIG. 2 is an enlarged view of a boxed portion of the fiber cement shingle panel with keyways shown in FIG. 1;

FIG. 3 is a front elevation view of the fiber cement shingle panel with keyways shown in FIG. 1;

FIG. 4 is an enlarged view of a boxed portion of the fiber cement shingle panel with keyways shown in FIG. 3;

FIG. 5 is a side view of the fiber cement shingle panel with keyways shown in FIG. 1, the opposite side being a mirror image thereof;

FIG. 6 is an enlarged view of a boxed portion of the fiber cement shingle panel with keyways shown in FIG. 5;

FIG. 7 is a first edge view of the fiber cement shingle panel with keyways shown in FIG. 1;

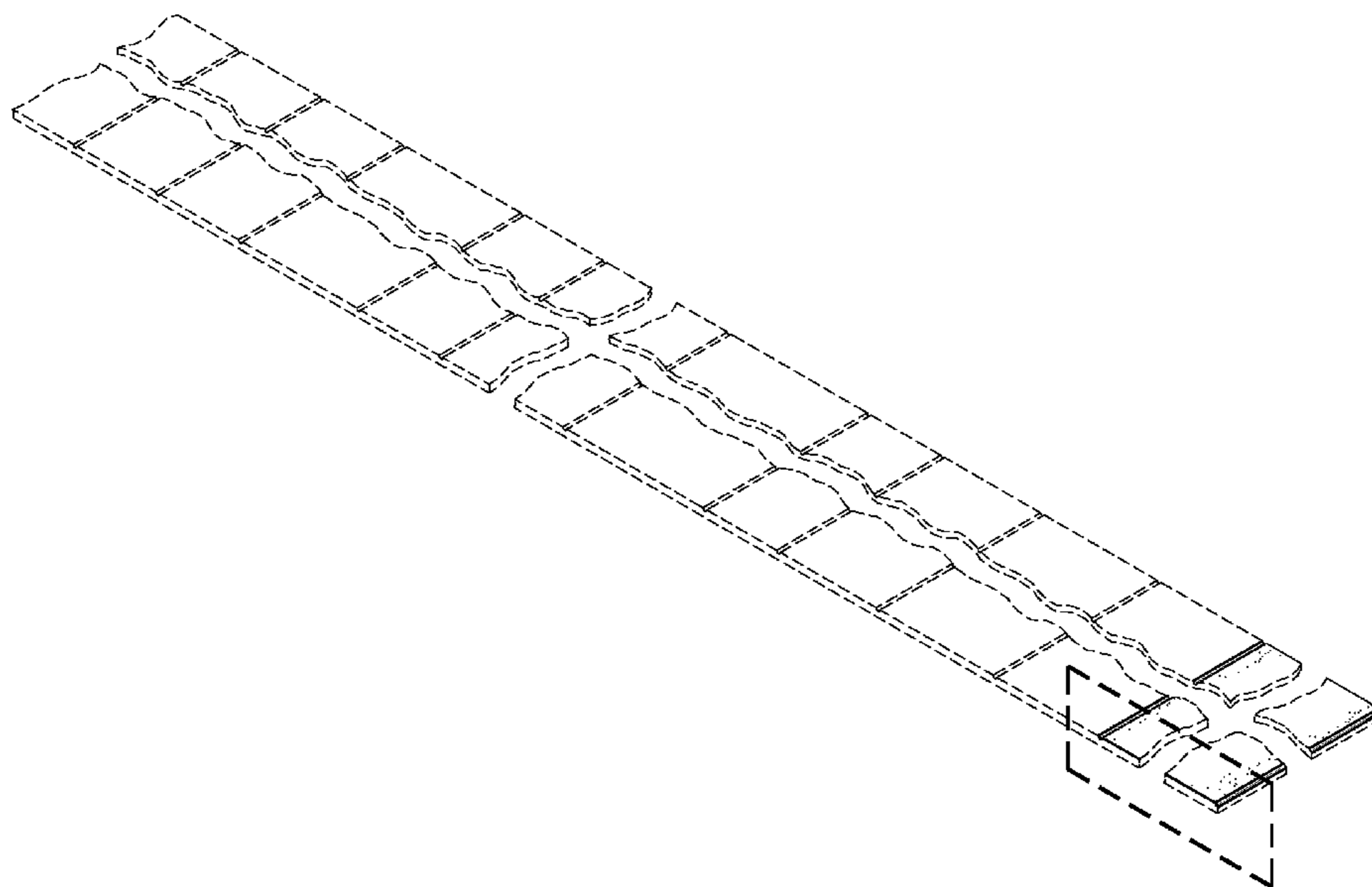
FIG. 8 is a second edge view of the fiber cement shingle panel with keyways shown in FIG. 1; and,

FIG. 9 is a rear view of the fiber cement shingle panel with keyways shown in FIG. 1.

For FIGS. 1-9, broken lines are for illustrative purposes only, showing the environment, indicating indeterminate length and representative boundaries of the claimed design and form no part of the claimed design.

(Continued)

1 Claim, 5 Drawing Sheets



OTHER PUBLICATIONS

U.S. Appl. No. 29/323,359, filed Aug. 22, 2008, entitled "Fiber Cement Shingle Plank with Keyways," first-named inventor: W.J. Tinen.

U.S. Appl. No. 29/323,360, filed Aug. 23, 2008, entitled "Fiber Cement Shingle Plank Assembly," first-named inventor: W.J. Tinen. Office Action mailed Sep. 29, 2009, for U.S. Appl. No. 29/323,359 (7 pp.).

* cited by examiner

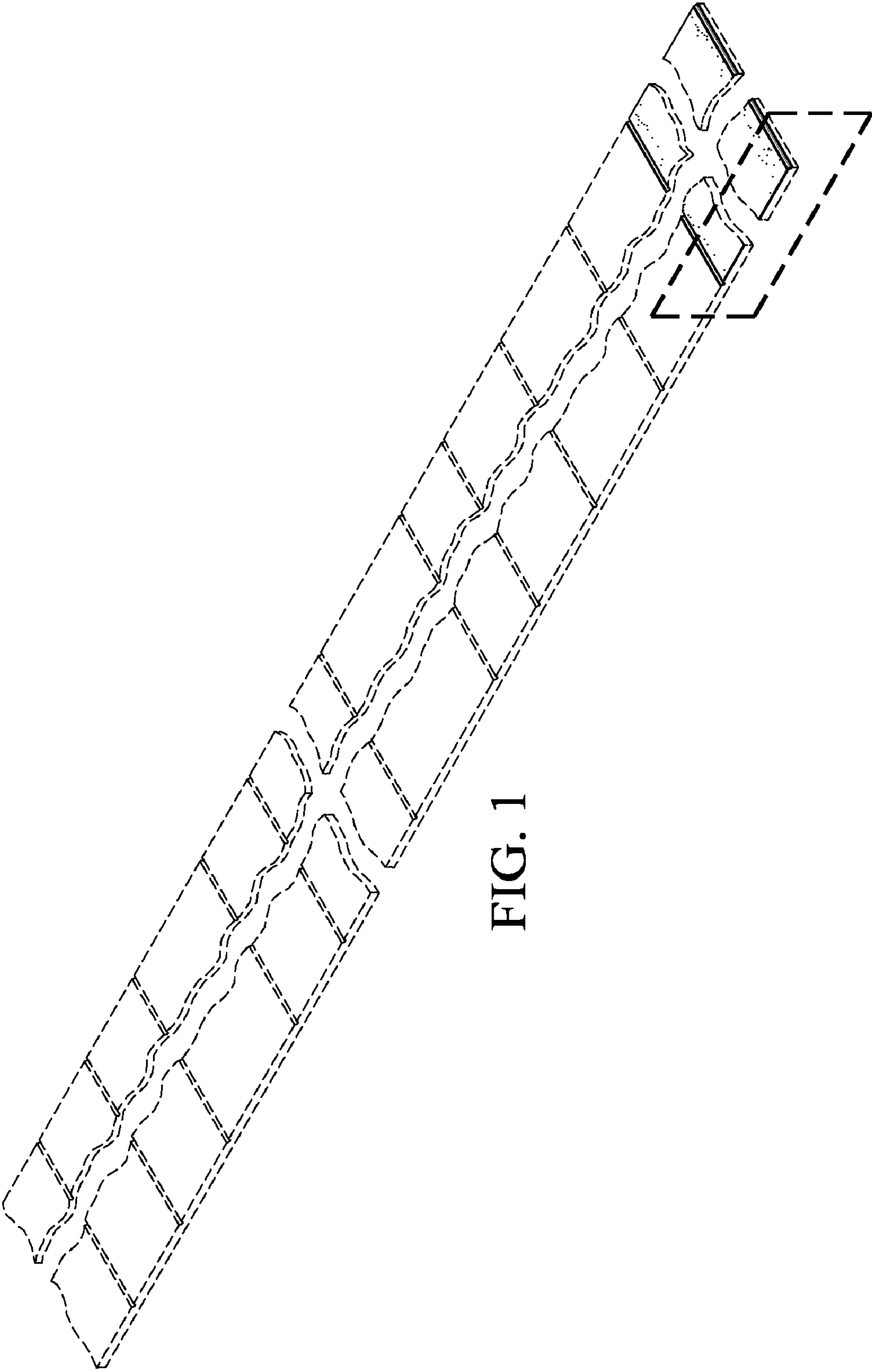


FIG. 1

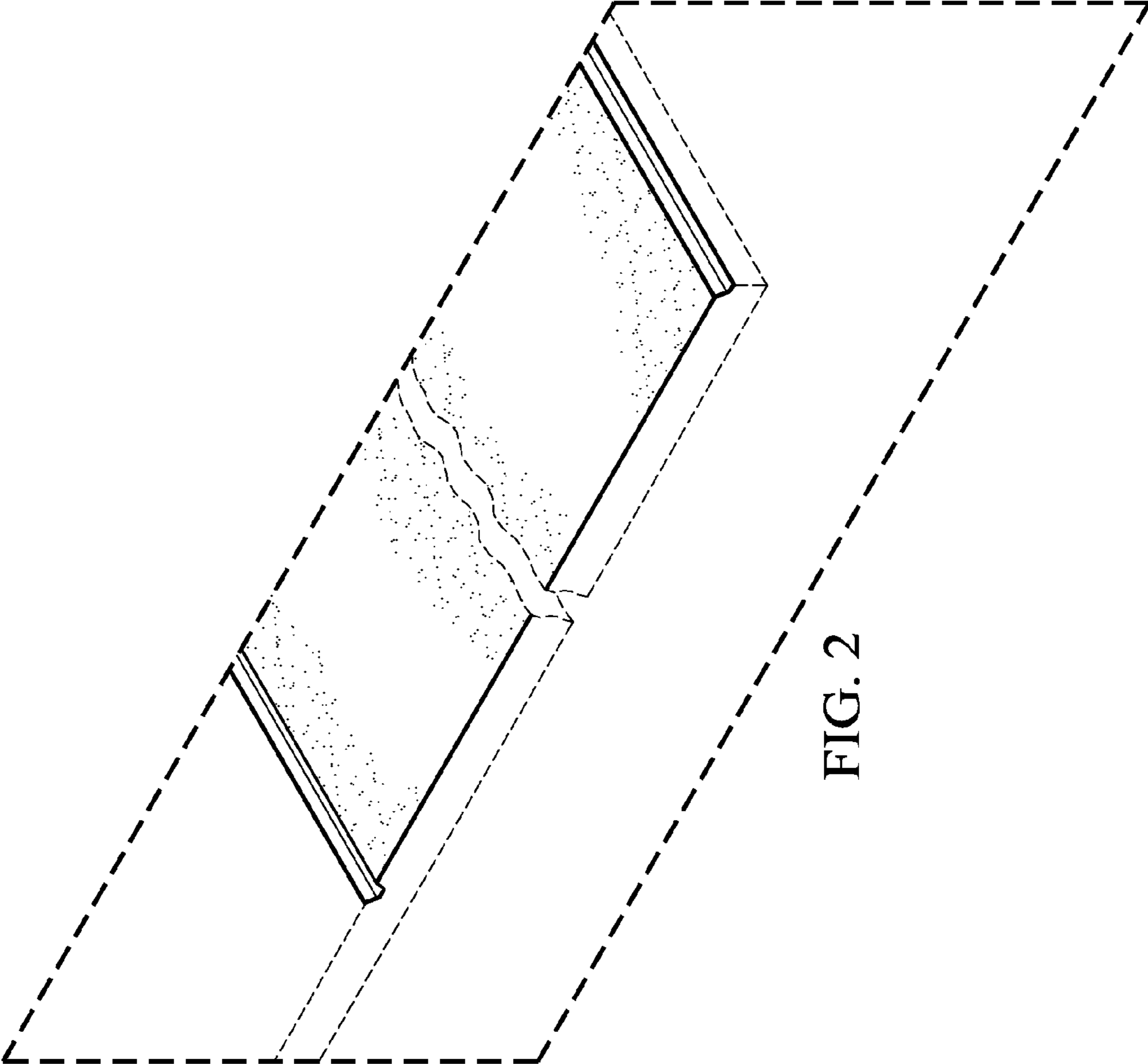


FIG. 2

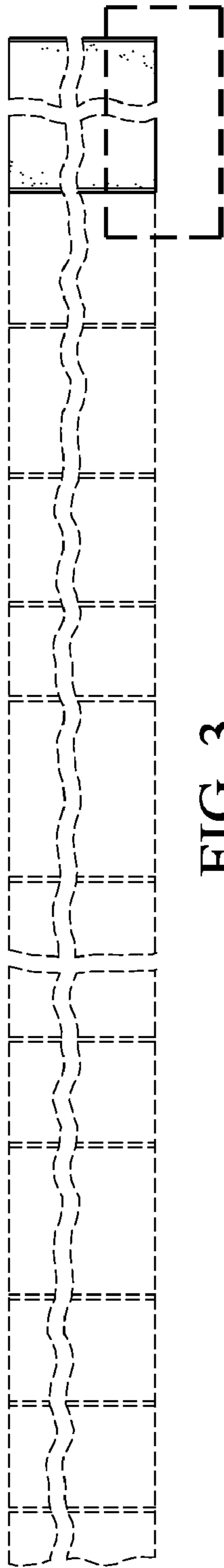


FIG. 3

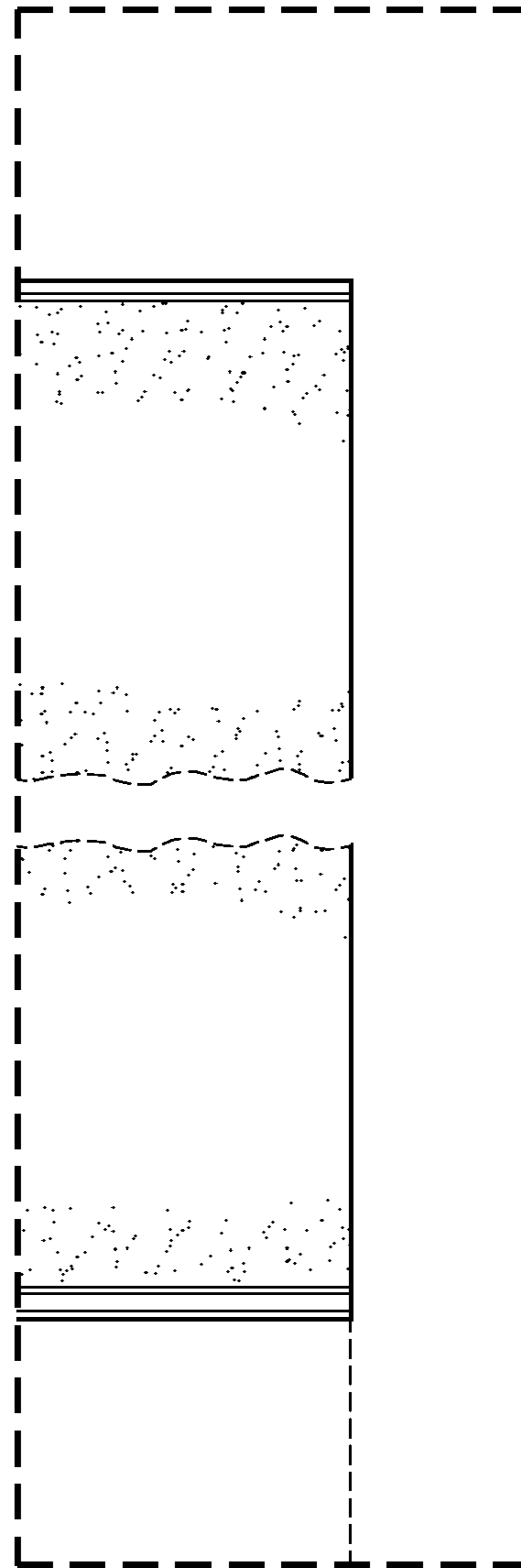


FIG. 4

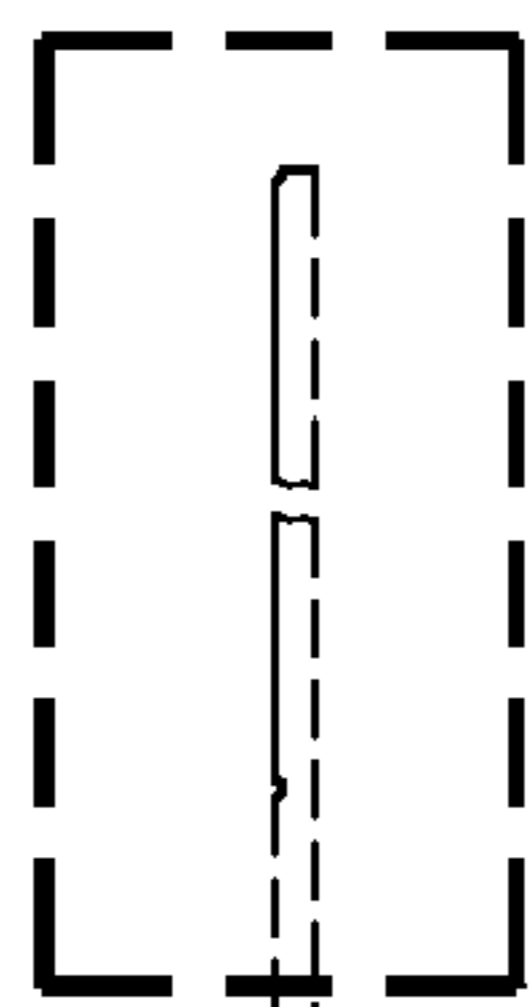


FIG. 5

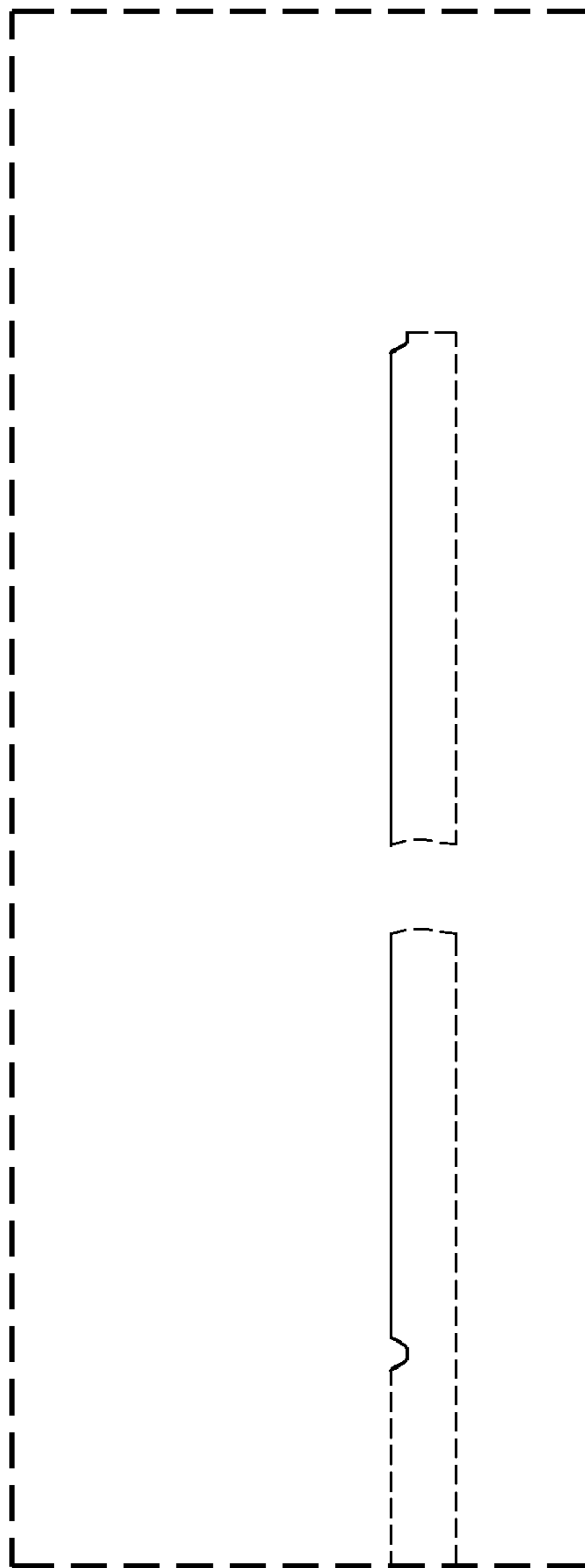


FIG. 6

FIG. 7

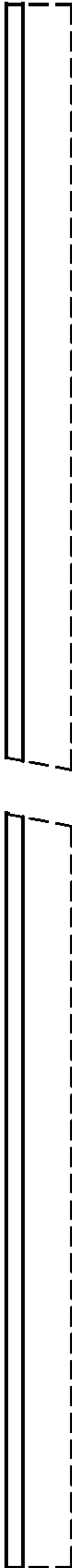


FIG. 8



FIG. 9

