



US00D622873S

(12) **United States Design Patent**
Skalka

(10) **Patent No.:** **US D622,873 S**
(45) **Date of Patent:** **** Aug. 31, 2010**

(54) **MULTI-BOLLARD BARRIER**

(75) Inventor: **Gerald Skalka**, Potomac, MD (US)

(73) Assignee: **Secure Site Design, LLC**, Potomac, MD (US)

(**) Term: **14 Years**

(21) Appl. No.: **29/358,311**

(22) Filed: **Mar. 25, 2010**

Related U.S. Application Data

(62) Division of application No. 29/311,165, filed on Jan. 7, 2009.

(51) **LOC (9) Cl.** **25-01**

(52) **U.S. Cl.** **D25/121; D25/126**

(58) **Field of Classification Search** **D25/126, D25/121; 256/65.14; 49/131, 49; 404/6, 404/9; D12/115**

See application file for complete search history.

(56) **References Cited**

U.S. PATENT DOCUMENTS

4,858,382 A 8/1989 Ellgass

(Continued)

Primary Examiner—Doris Clark

(74) *Attorney, Agent, or Firm*—Jacobson Holman PLLC

(57) **CLAIM**

The ornamental design for a multi-bollard barrier, as shown and described.

DESCRIPTION

FIG. 1 is an isometric view of a first embodiment of a multi-bollard barrier, showing my new design.

FIG. 2 is a front elevational view of the multi-bollard barrier of FIG. 1, the back elevational view being a mirror image thereof.

FIG. 3 is a bottom plan view of the multi-bollard barrier of FIG. 1.

FIG. 4 is a top plan view of the multi-bollard barrier of FIG. 1.

FIG. 5 is a side elevational view of the multi-bollard barrier of FIG. 1, the opposite side elevational view being a mirror image thereof.

FIG. 6 is an isometric view of a second embodiment of a multi-bollard barrier, showing my new design.

FIG. 7 is a front elevational view of the multi-bollard barrier of FIG. 6, the back elevational view being a mirror image thereof.

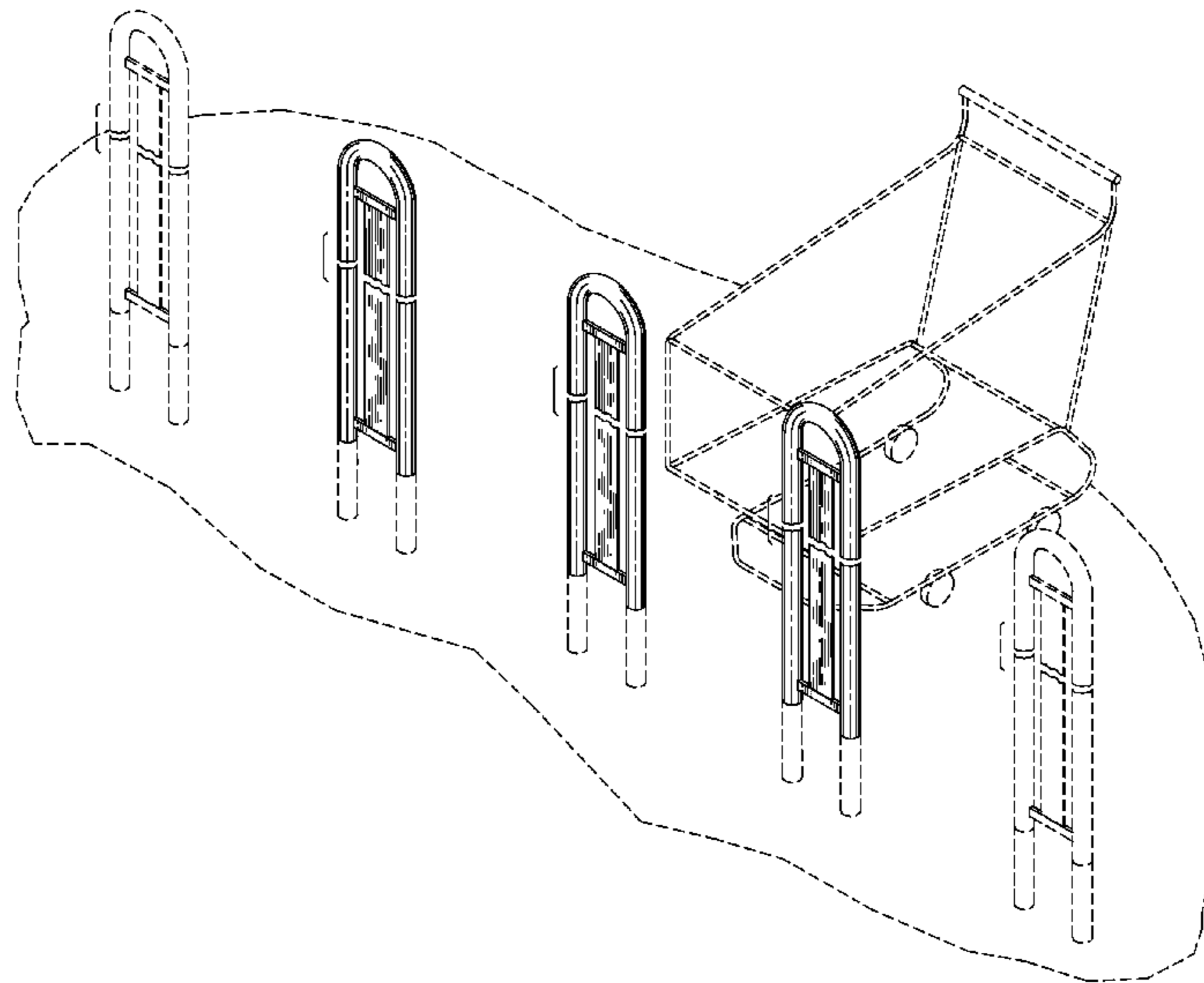
FIG. 8 is a bottom plan view of the multi-bollard barrier of FIG. 6.

FIG. 9 is a top plan view of the multi-bollard barrier of FIG. 6; and,

FIG. 10 is a side elevational view of the multi-bollard barrier of FIG. 6, the opposite side elevational view being a mirror image thereof.

The broken line showing of a shopping cart in FIGS. 1 and 6, the broken line showing of bollards in FIGS. 1-4 and 6-9, the broken line showing of ground in FIGS. 1-10, and the broken line showing of post anchors in FIGS. 1, 2, 5, 6, 7, and 10 are included for the purpose of illustrating use and environment and form no part of the claimed design. The posts of the bollard and multi-bollard barrier are shown broken-away in FIGS. 1, 2, 5, 6, 7, and 10 to indicate that a specific length forms no part of the claimed design.

1 Claim, 4 Drawing Sheets



US D622,873 S

Page 2

U.S. PATENT DOCUMENTS

5,309,674	A	5/1994	Weibel			
D406,664	S	3/1999	Müller			
6,094,863	A *	8/2000	LaCook, Jr.	49/49		
6,155,744	A *	12/2000	Namanny	404/1		
D474,846	S	5/2003	Skalka			
D507,358	S	7/2005	Skalka			
					D518,187	S 3/2006 Skalka
					7,134,804	B2 11/2006 Skalka
					7,195,420	B2 3/2007 Skalka
					7,232,275	B2 6/2007 Skalka
					D571,933	S 6/2008 Aughton
					D573,724	S 7/2008 Reed
					2004/0067104	A1 4/2004 Venegas

* cited by examiner

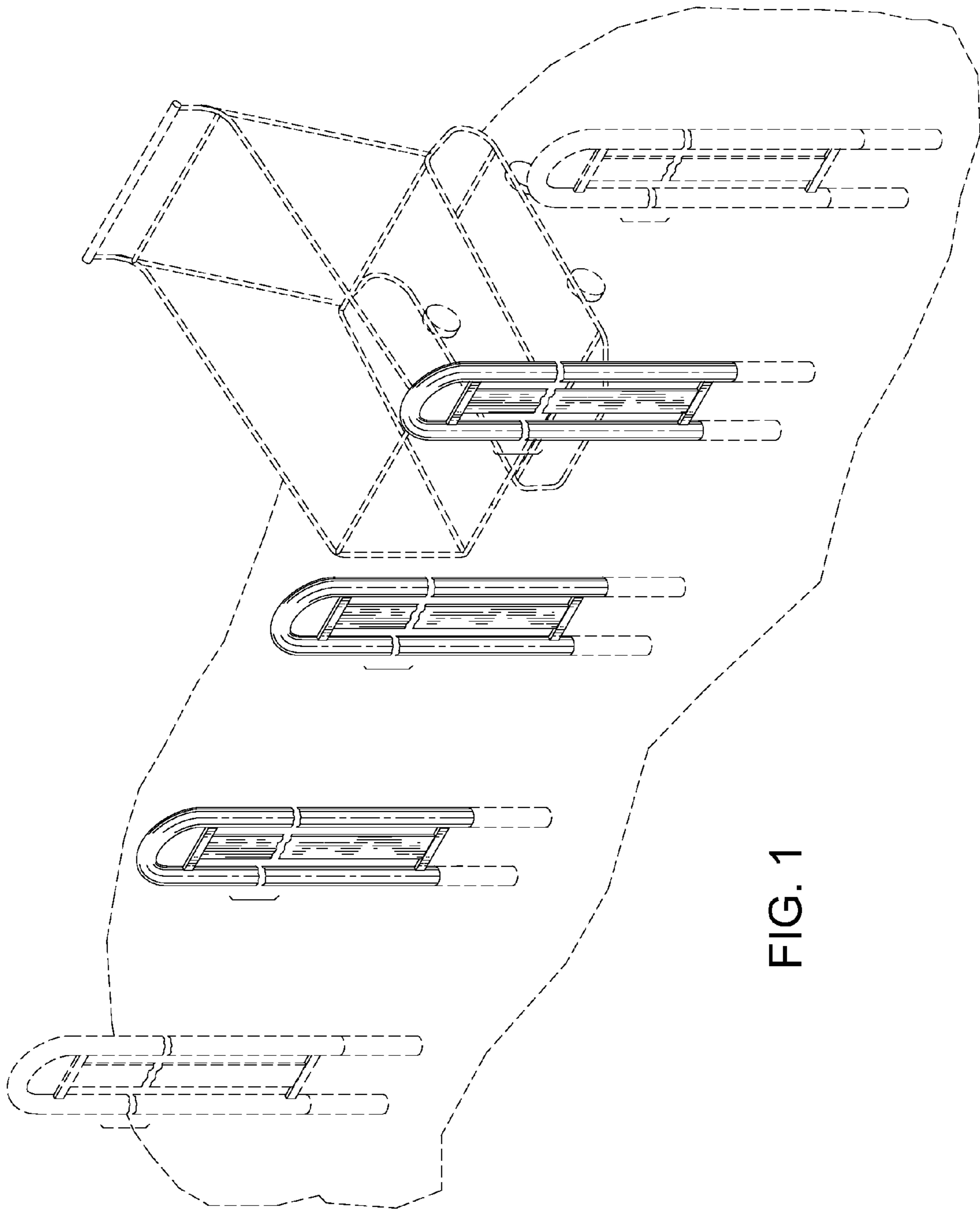


FIG. 1

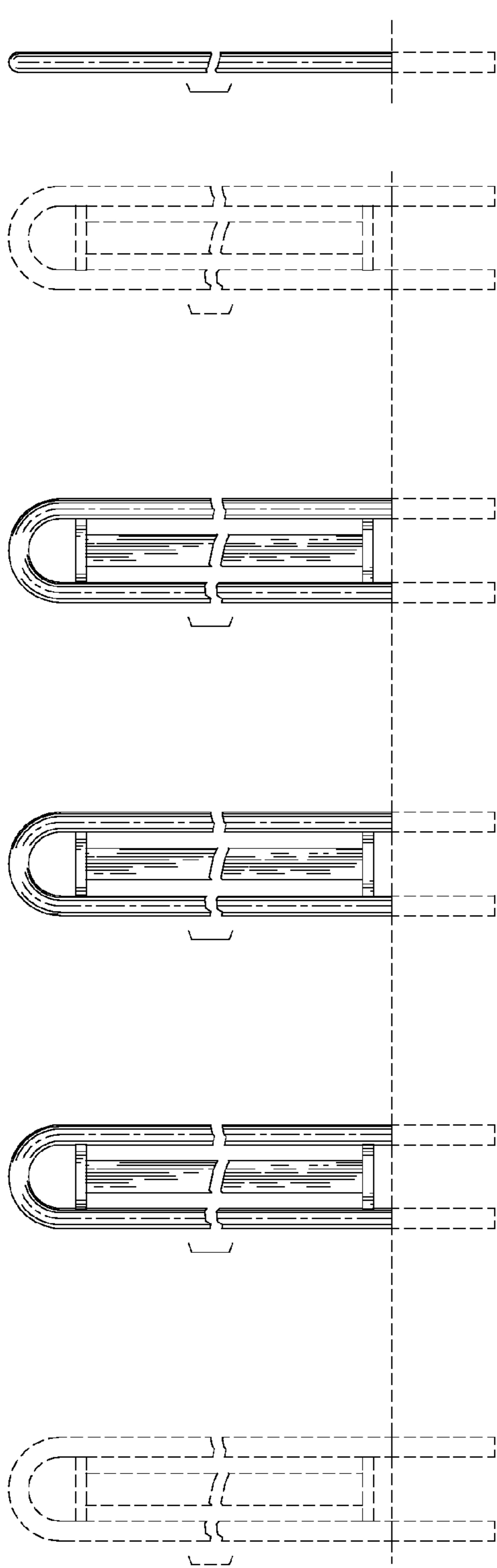


FIG. 5

FIG. 2

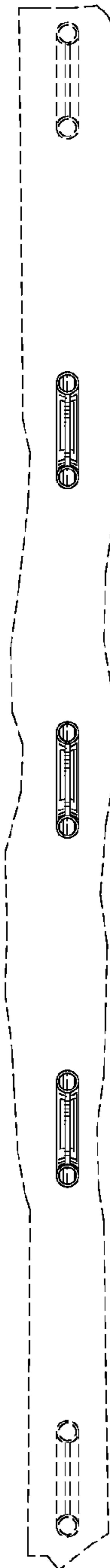


FIG. 3

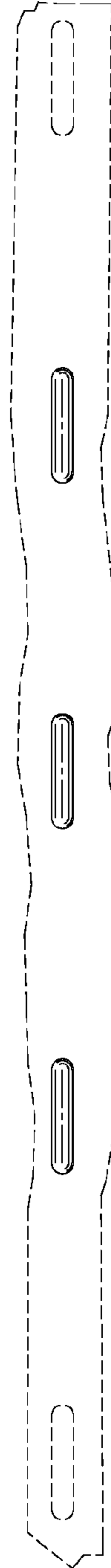


FIG. 4

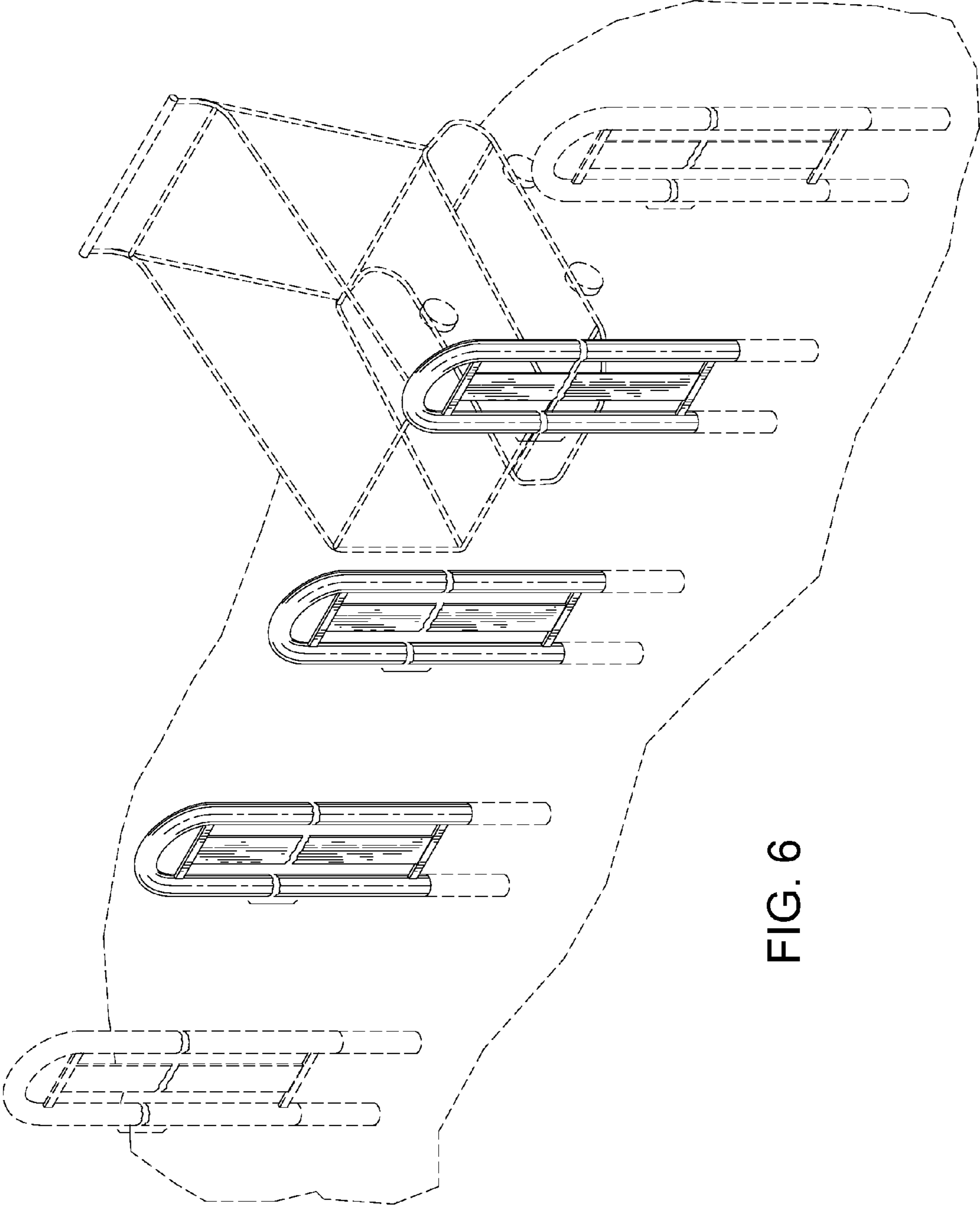


FIG. 6

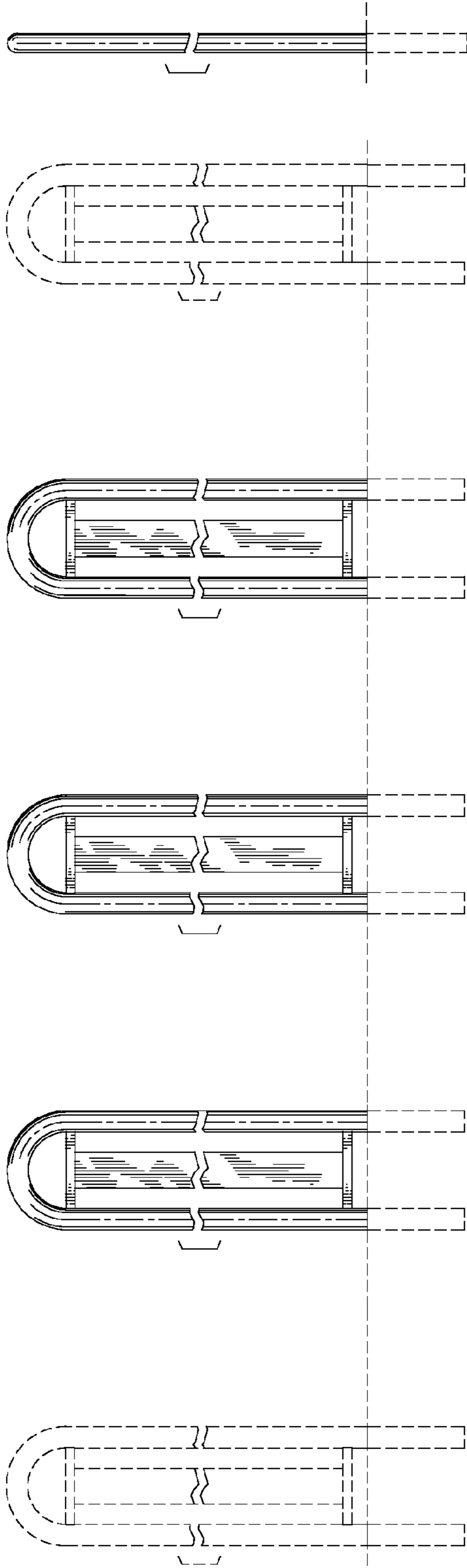


FIG. 10

FIG. 7

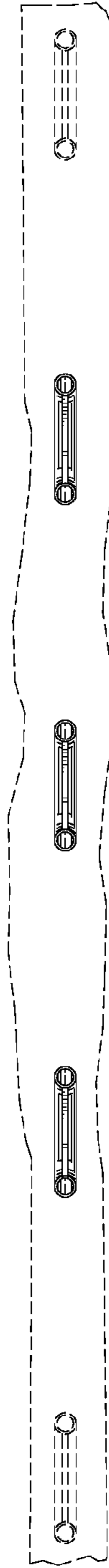


FIG. 8

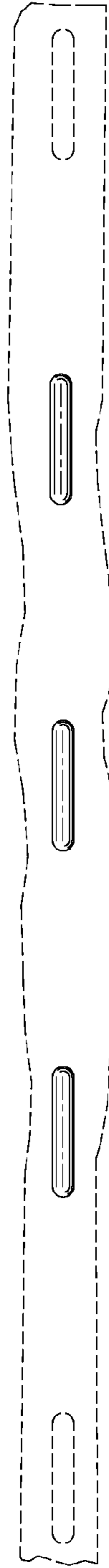


FIG. 9