



US00D622867S

(12) **United States Design Patent**
Bajrami

(10) **Patent No.:** **US D622,867 S**

(45) **Date of Patent:** **** Aug. 31, 2010**

(54) **PREFABRICATED BUILDING PART**

(75) Inventor: **Halil Bajrami**, Leatherhead (GB)

(73) Assignee: **D & T Catering Removals Ltd.**,
Leatherhead (GB)

(**) Term: **14 Years**

(21) Appl. No.: **29/351,711**

(22) Filed: **Dec. 10, 2009**

(30) **Foreign Application Priority Data**

Sep. 16, 2009 (EM) 001165690-0005

(51) **LOC (9) Cl.** **25-02**

(52) **U.S. Cl.** **D25/35**

(58) **Field of Classification Search** D25/35,
D25/38, 41-44, 102, 199, 126-135, 113,
D25/115-118; 52/602, 309.14, 309.9, 404.4,
52/405.4, 481.1, 582.1, 630, 783.11, 783.19,
52/800.1, 802.11

See application file for complete search history.

(56) **References Cited**

U.S. PATENT DOCUMENTS

D60,253 S * 1/1922 McConville D25/118
D191,202 S * 8/1961 Walton D25/115

5,347,778 A * 9/1994 Bray 52/239
D480,151 S * 9/2003 Wanser et al. D25/38
D508,571 S * 8/2005 Weiser et al. D25/133
D554,778 S * 11/2007 Wang D25/138
2004/0020152 A1 * 2/2004 Harris, Sr. 52/582.1
2010/0024332 A1 * 2/2010 Valaire 52/252

* cited by examiner

Primary Examiner—T. Chase Nelson

Assistant Examiner—Eric L Goodman

(74) *Attorney, Agent, or Firm*—Pearne & Gordon LLP

(57) **CLAIM**

The ornamental design for the prefabricated building part, as shown and described.

DESCRIPTION

FIG. 1 is a perspective view of a prefabricated building part, of my new design;

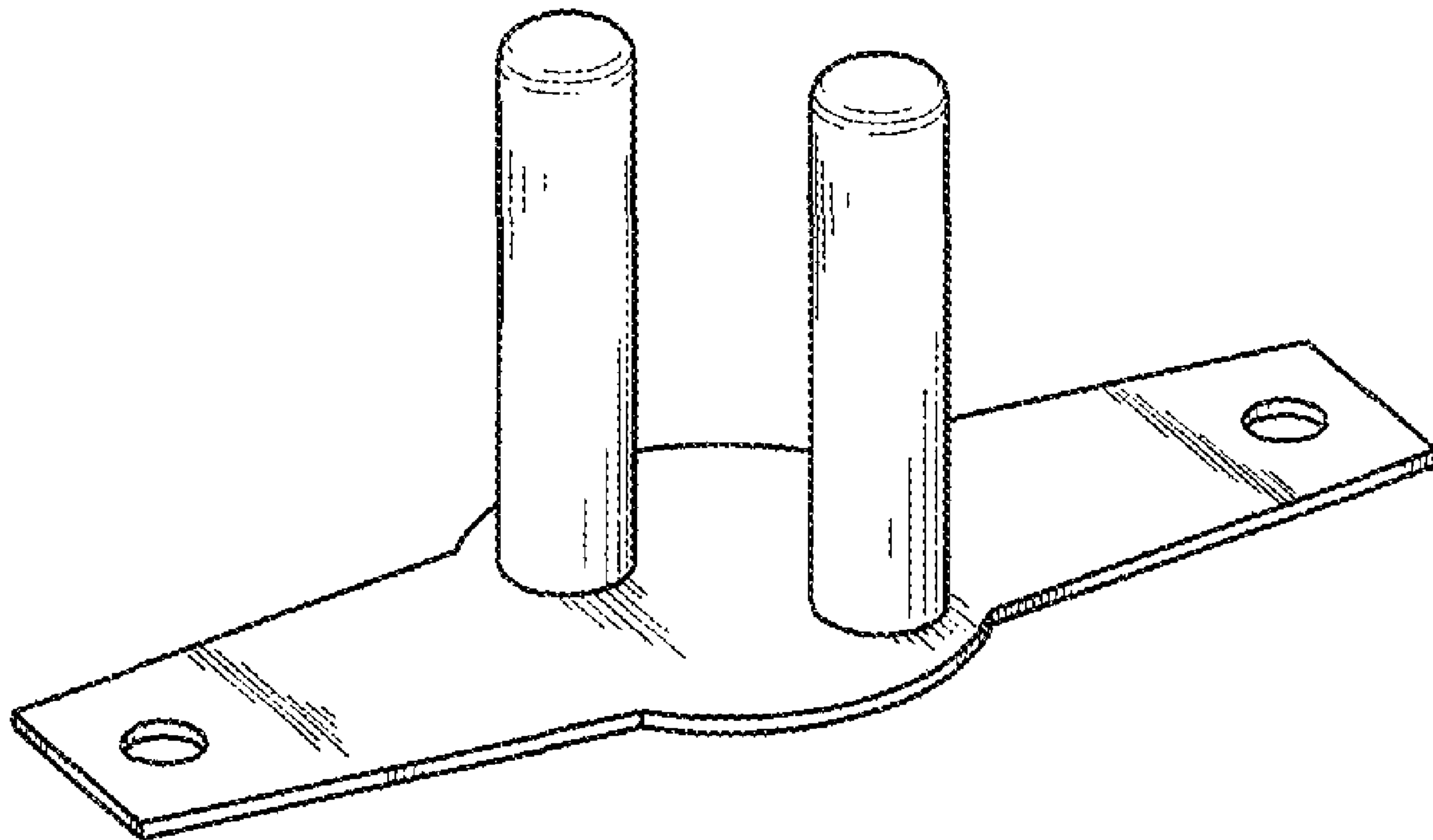
FIG. 2 is a front elevational view, the rear elevational view being the same, thereof;

FIG. 3 is a left side elevational view, the right side elevational view being the same, thereof; and,

FIG. 4 is a top plan view thereof.

The prefabricated building part of my new design has a bottom that is flat and devoid of surface ornamentation.

1 Claim, 1 Drawing Sheet



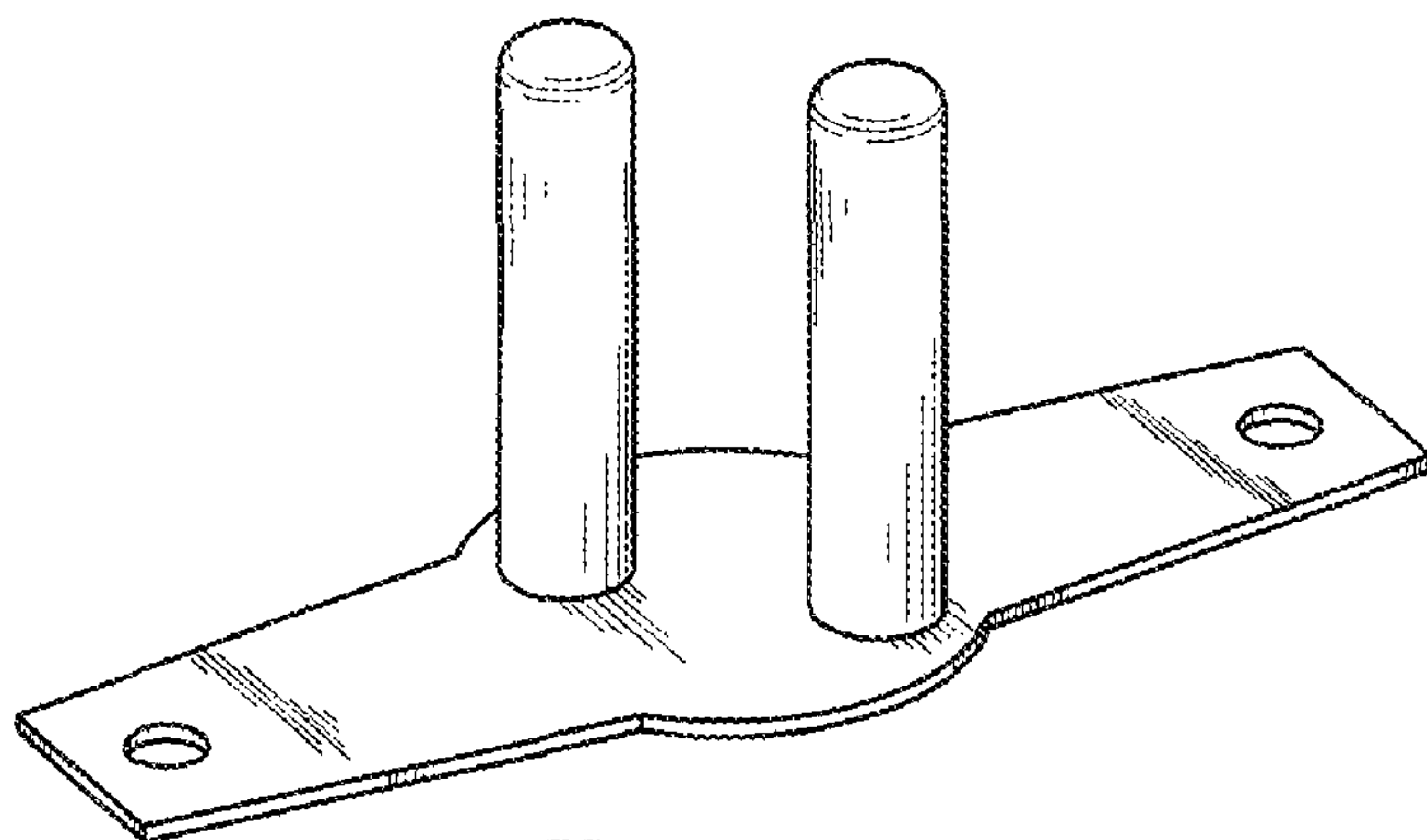


Fig. 1

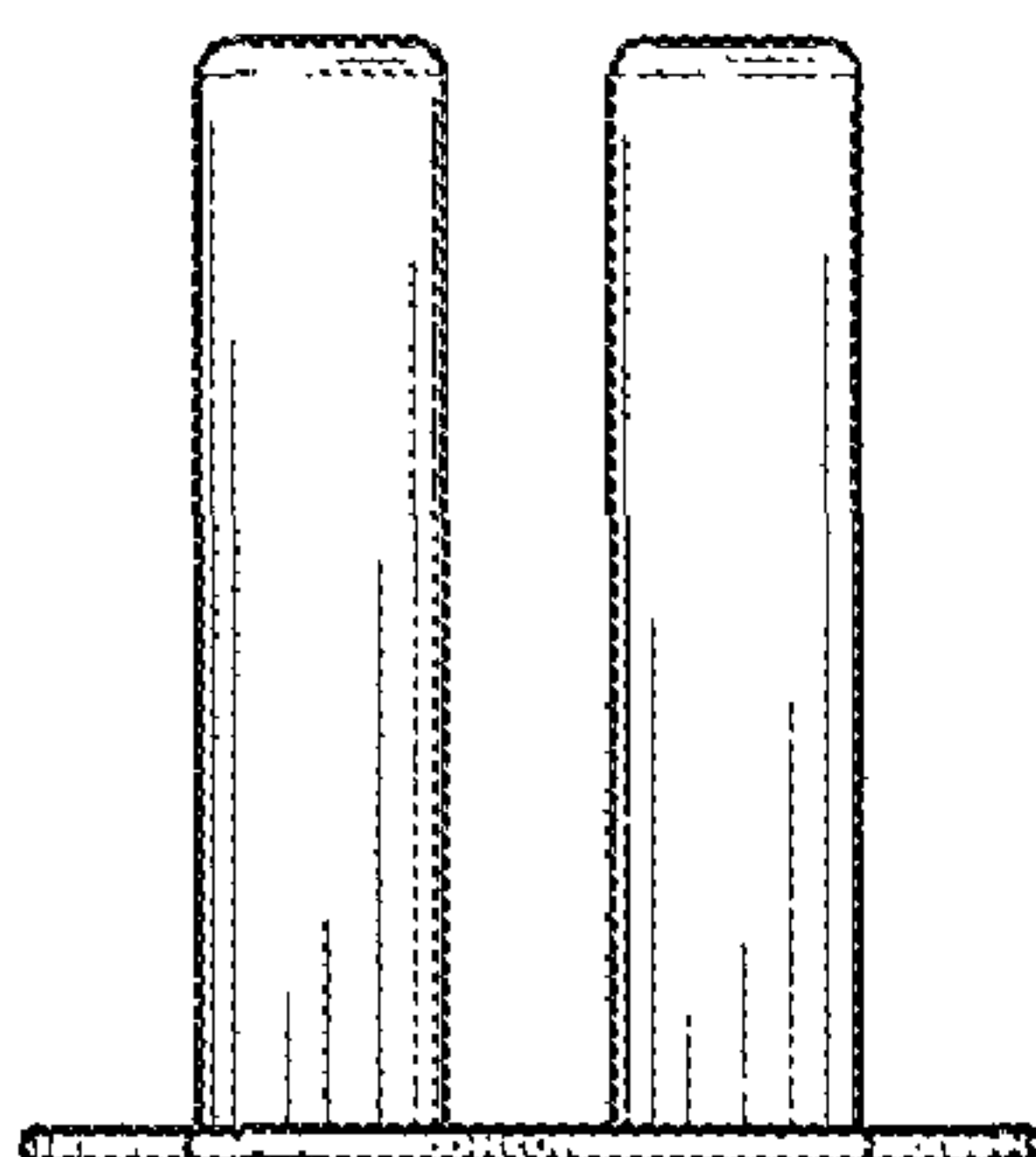


Fig. 2

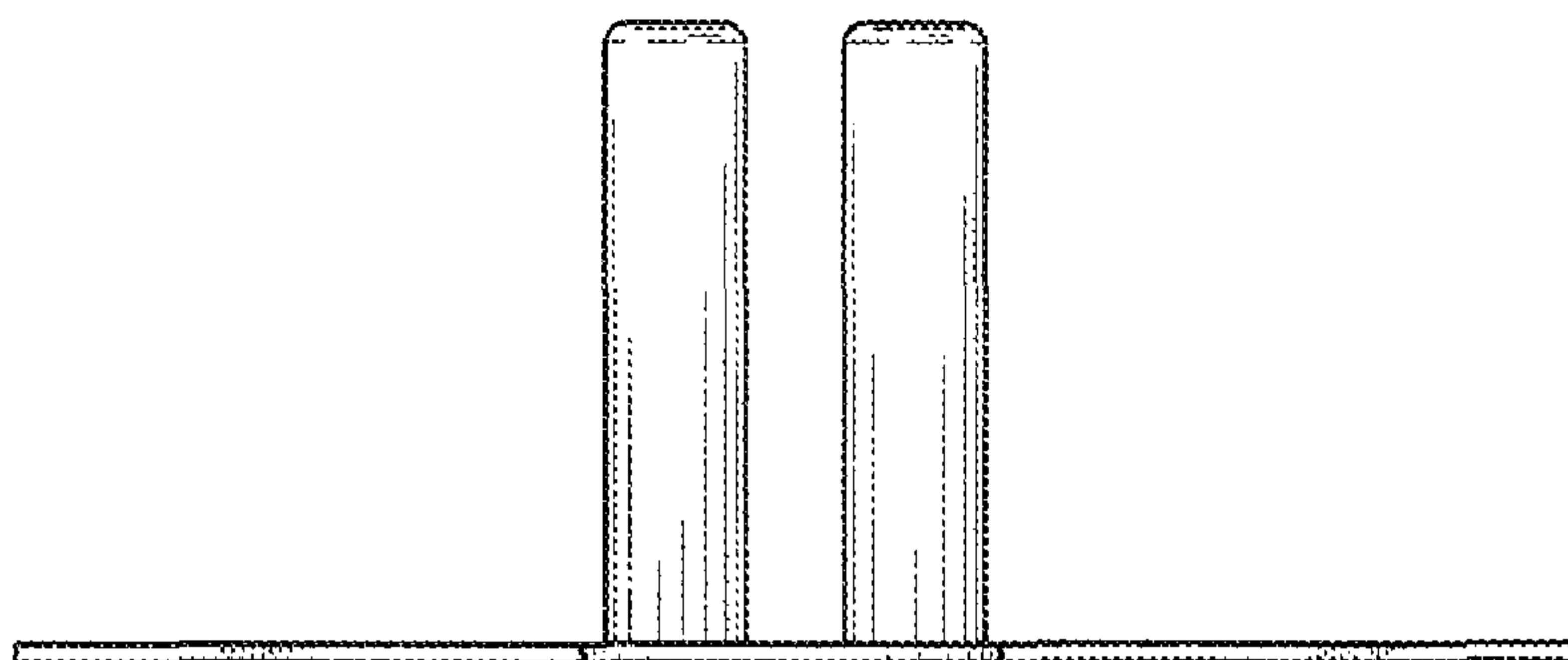


Fig. 3

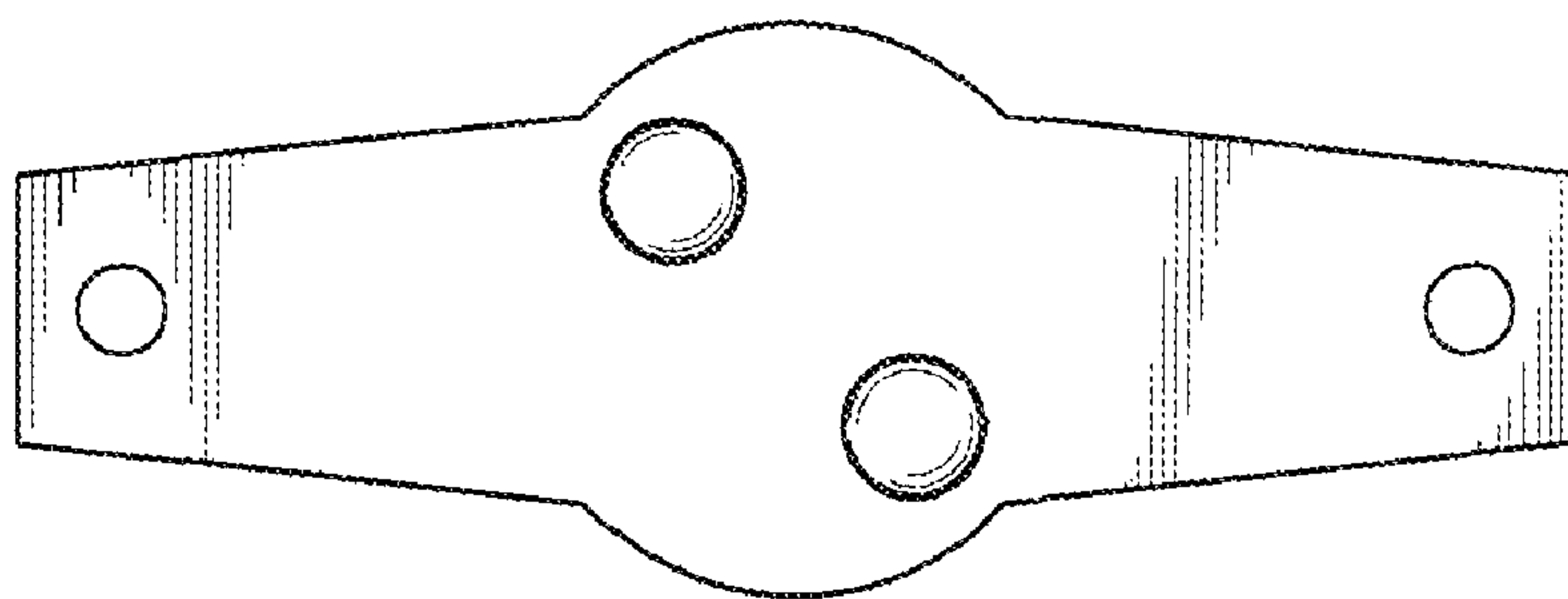


Fig. 4