



US00D622864S

(12) **United States Design Patent**
Bajrami

(10) **Patent No.:** **US D622,864 S**

(45) **Date of Patent:** **** Aug. 31, 2010**

(54) **PREFABRICATED BUILDING PART**

(75) Inventor: **Halil Bajrami**, Leatherhead (GB)

(73) Assignee: **D & T Catering Removals Ltd.**,
Leatherhead (GB)

(**) Term: **14 Years**

(21) Appl. No.: **29/351,708**

(22) Filed: **Dec. 10, 2009**

(30) **Foreign Application Priority Data**

Sep. 16, 2009 (EM) 001165690-0002

(51) **LOC (9) Cl.** **25-02**

(52) **U.S. Cl.** **D25/35**

(58) **Field of Classification Search** D25/35,
D25/38, 41-44, 102, 199, 126-135, 113,
D25/115-118; 52/602, 309.14, 309.9, 404.4-405.4,
52/481.1, 582.1, 630, 783.11, 783.19, 800.1,
52/802.11

See application file for complete search history.

(56) **References Cited**

U.S. PATENT DOCUMENTS

2,100,658	A *	11/1937	Finch	446/122
2,610,503	A *	9/1952	Hall	52/592.3
3,252,287	A *	5/1966	Suzuki	405/29
3,600,867	A *	8/1971	Shuey	52/284
D251,510	S *	4/1979	Schuring	D25/113
4,272,061	A *	6/1981	Suckno	256/67
D277,609	S *	2/1985	Deimen	D25/113
D342,328	S *	12/1993	Granstrom	D25/126

D343,460	S *	1/1994	Hair	D25/113
D352,560	S *	11/1994	Lin	D25/118
D365,643	S *	12/1995	Wilhelm	D25/113
D444,892	S *	7/2001	Winters	D25/113
D459,488	S *	6/2002	Thornton et al.	D25/119
D508,572	S *	8/2005	Suggate	D25/134
D551,779	S *	9/2007	Swanson et al.	D25/102
7,347,028	B1 *	3/2008	Bin-Nun et al.	52/271
D565,746	S *	4/2008	Allsopp	D25/102
D600,821	S *	9/2009	Esterhuizen	D25/113
D612,069	S *	3/2010	Usul et al.	D25/113
2003/0079428	A1 *	5/2003	Rivers	52/270

* cited by examiner

Primary Examiner—T. Chase Nelson

Assistant Examiner—Eric L Goodman

(74) *Attorney, Agent, or Firm*—Pearne & Gordon LLP

(57) **CLAIM**

The ornamental design for the prefabricated building part, as shown and described.

DESCRIPTION

FIG. 1 is a perspective view of a prefabricated building part, of my new design;

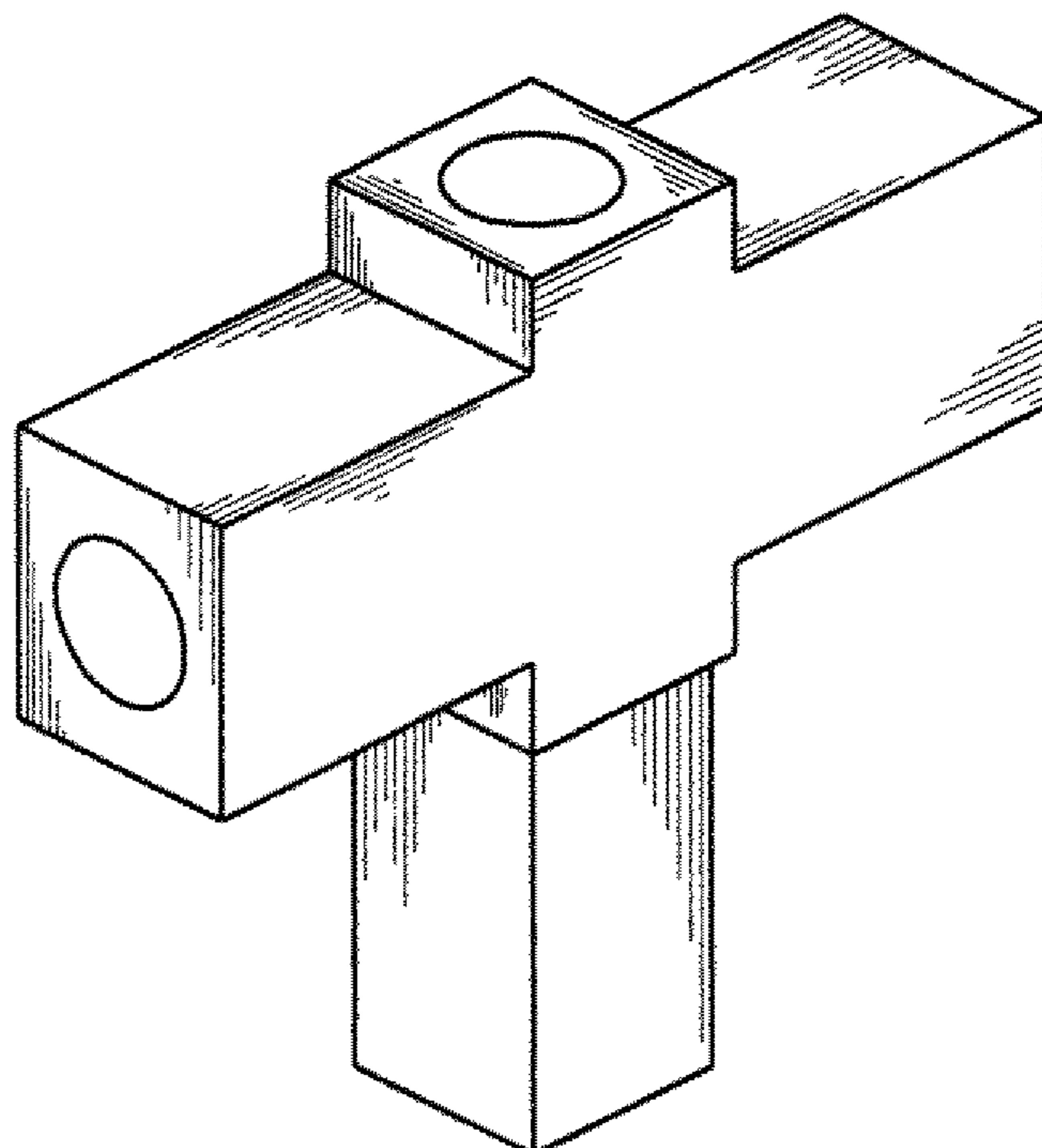
FIG. 2 is a front elevational view, the rear elevational view being the same, thereof;

FIG. 3 is a right side elevational view, the left side elevational view being the same, thereof; and,

FIG. 4 is a top plan view thereof.

The prefabricated building part of my new design has a bottom that is flat and devoid of surface ornamentation.

1 Claim, 1 Drawing Sheet



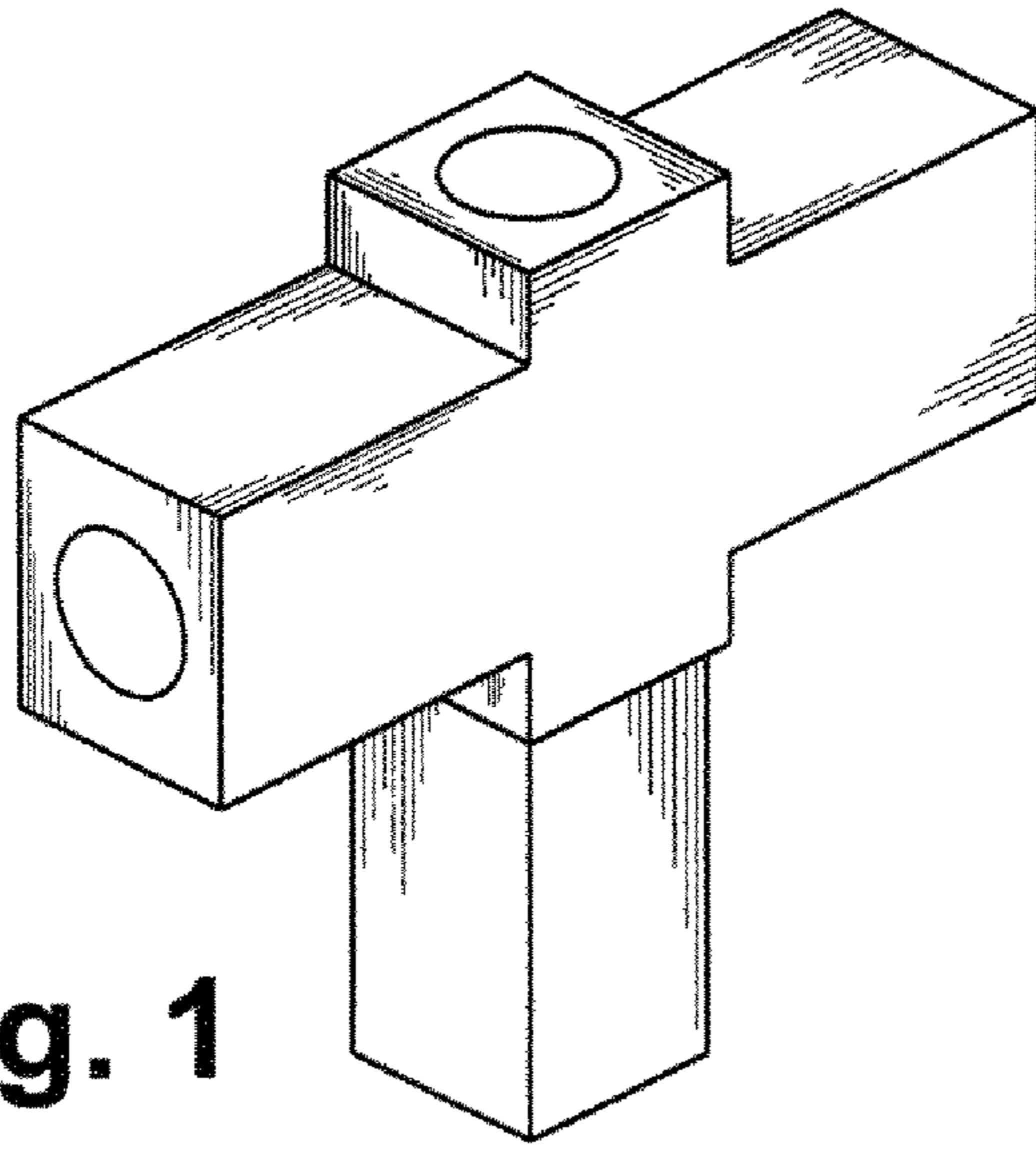


Fig. 1

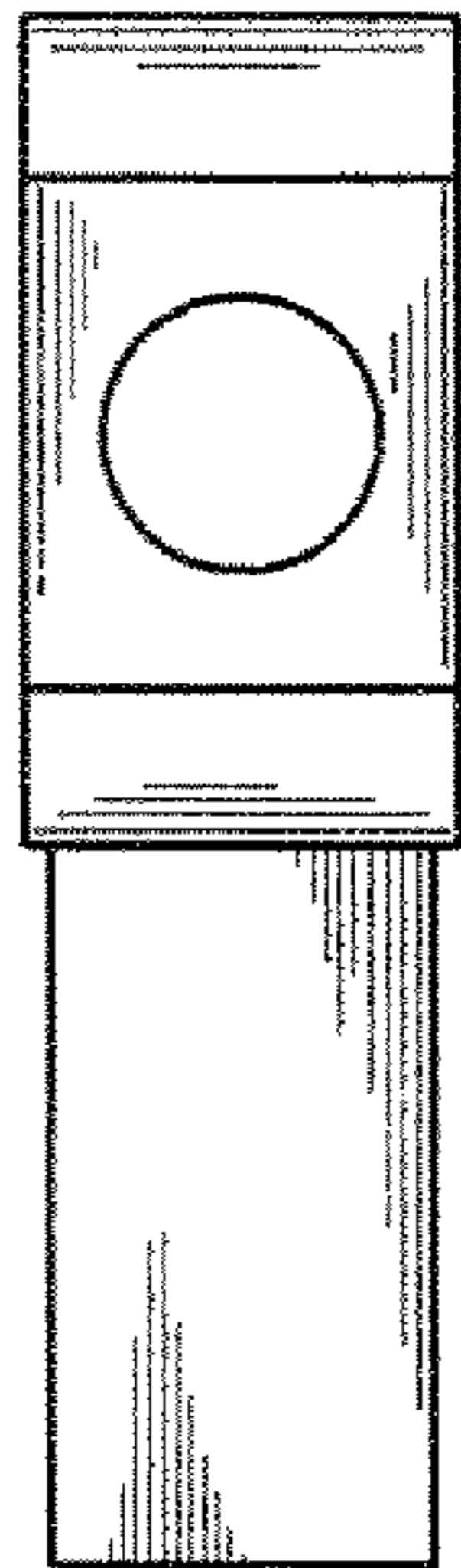


Fig. 2

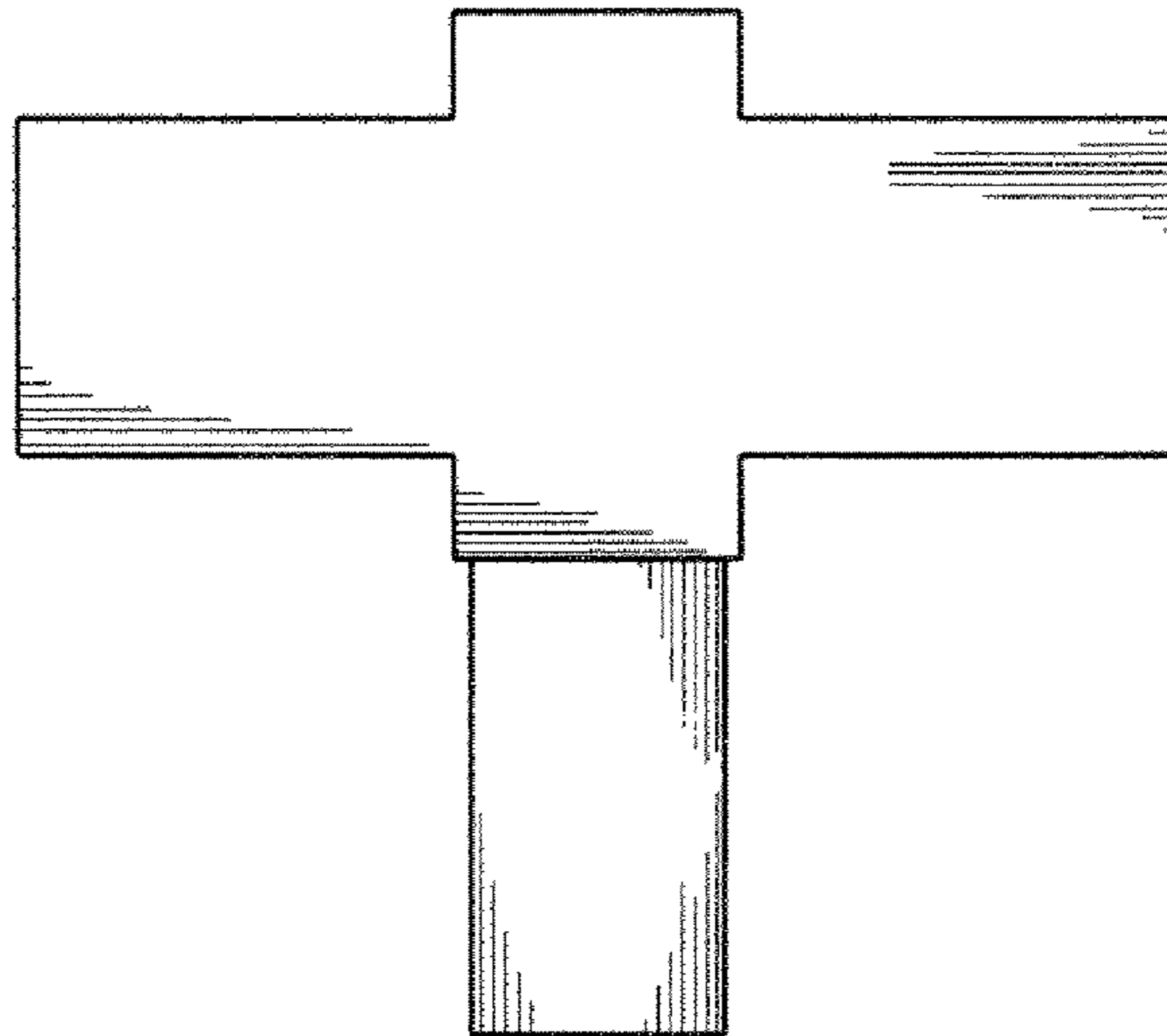


Fig. 3

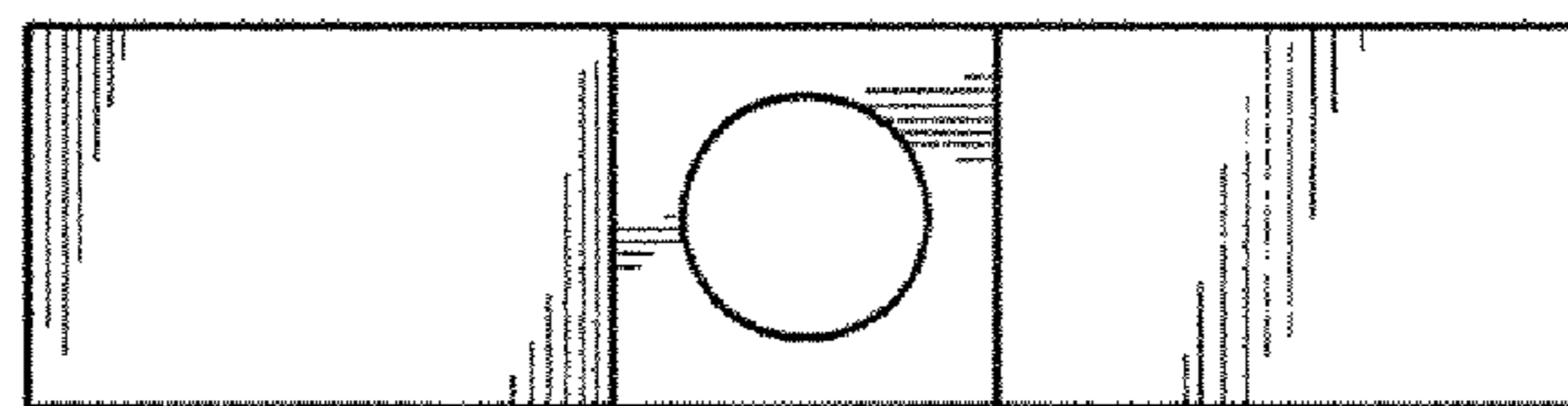


Fig. 4