



US00D622863S

(12) **United States Design Patent**
Bajrami

(10) **Patent No.:** **US D622,863 S**

(45) **Date of Patent:** **** Aug. 31, 2010**

(54) **PREFABRICATED BUILDING PART**

(75) Inventor: **Halil Bajrami**, Leatherhead (GB)

(73) Assignee: **D&T Catering Removals Ltd.**,
Leatherhead (GB)

(**) Term: **14 Years**

(21) Appl. No.: **29/351,707**

(22) Filed: **Dec. 10, 2009**

(30) **Foreign Application Priority Data**

Sep. 16, 2009 (EM) 001165690-0001

(51) **LOC (9) Cl.** **25-02**

(52) **U.S. Cl.** **D25/35**

(58) **Field of Classification Search** D25/35,
D25/38, 41-44, 102, 199, 126-135, 113,
D25/115-118; 52/602, 309.14, 309.9, 404.4,
52/405.4, 481.1, 582.1, 630, 783.11, 783.19,
52/800.1, 802.11

See application file for complete search history.

(56) **References Cited**

U.S. PATENT DOCUMENTS

- 2,100,658 A * 11/1937 Finch 446/122
- 2,610,503 A * 9/1952 Hall 52/592.3
- 3,252,287 A * 5/1966 Suzuki 405/29
- 3,600,867 A * 8/1971 Shuey 52/284
- D251,510 S * 4/1979 Schuring D25/113
- 4,272,061 A * 6/1981 Suckno 256/67
- D277,609 S * 2/1985 Deimen D25/113
- D342,328 S * 12/1993 Granstrom D25/126

- D343,460 S * 1/1994 Hair D25/113
- D352,560 S * 11/1994 Lin D25/118
- D365,643 S * 12/1995 Wilhelm D25/113
- D444,892 S * 7/2001 Winters D25/113
- D459,488 S * 6/2002 Thornton et al. D25/119
- D508,572 S * 8/2005 Suggate D25/134
- D551,779 S * 9/2007 Swanson et al. D25/102
- 7,347,028 B1 * 3/2008 Bin-Nun et al. 52/271
- D565,746 S * 4/2008 Allsopp D25/102
- D600,821 S * 9/2009 Esterhuizen D25/113
- D612,069 S * 3/2010 Usul et al. D25/113
- 2003/0079428 A1 * 5/2003 Rivers 52/270

* cited by examiner

Primary Examiner—T. Chase Nelson

Assistant Examiner—Eric L Goodman

(74) *Attorney, Agent, or Firm*—Pearne & Gordon LLP

(57) **CLAIM**

The ornamental design for the prefabricated building part, as shown and described.

DESCRIPTION

FIG. 1 is a perspective view of a prefabricated building part, of my new design;

FIG. 2 is a front elevational view thereof;

FIG. 3 is a right side elevational view thereof;

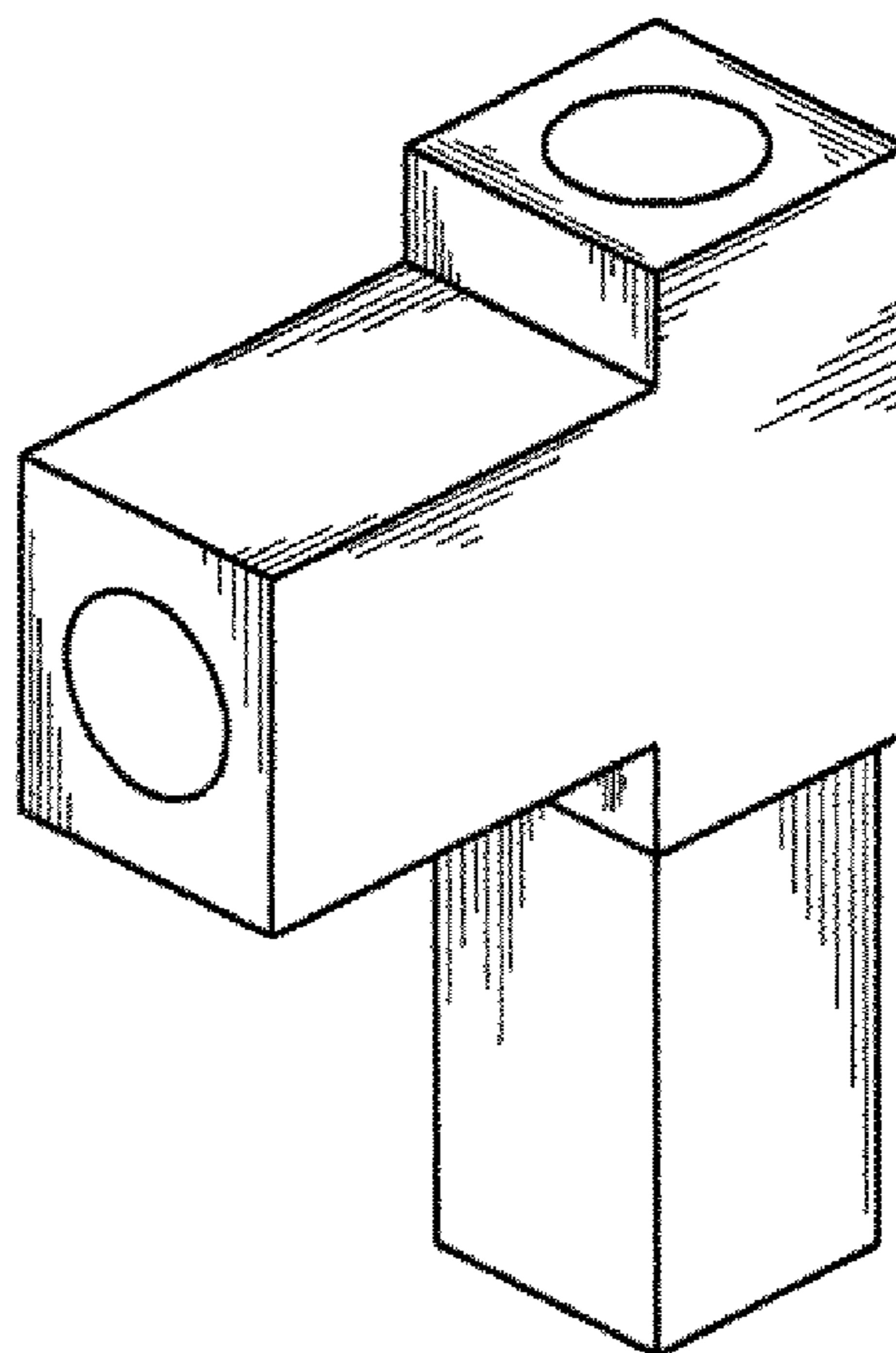
FIG. 4 is a rear elevational view thereof;

FIG. 5 is a left side elevational view thereof; and,

FIG. 6 is a top plan view thereof.

The prefabricated building part of my new design has a bottom that is flat and devoid of surface ornamentation.

1 Claim, 1 Drawing Sheet



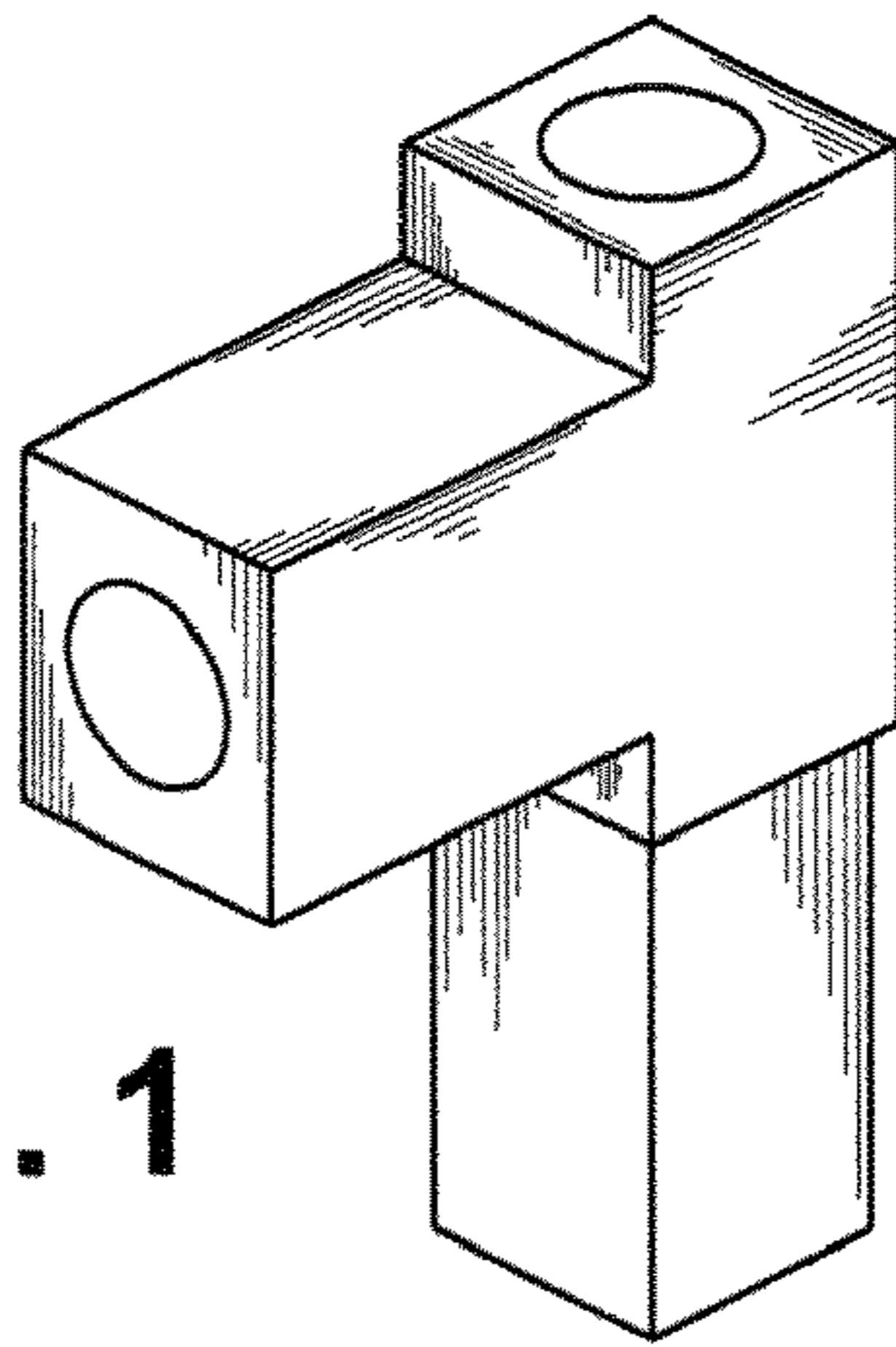


Fig. 1

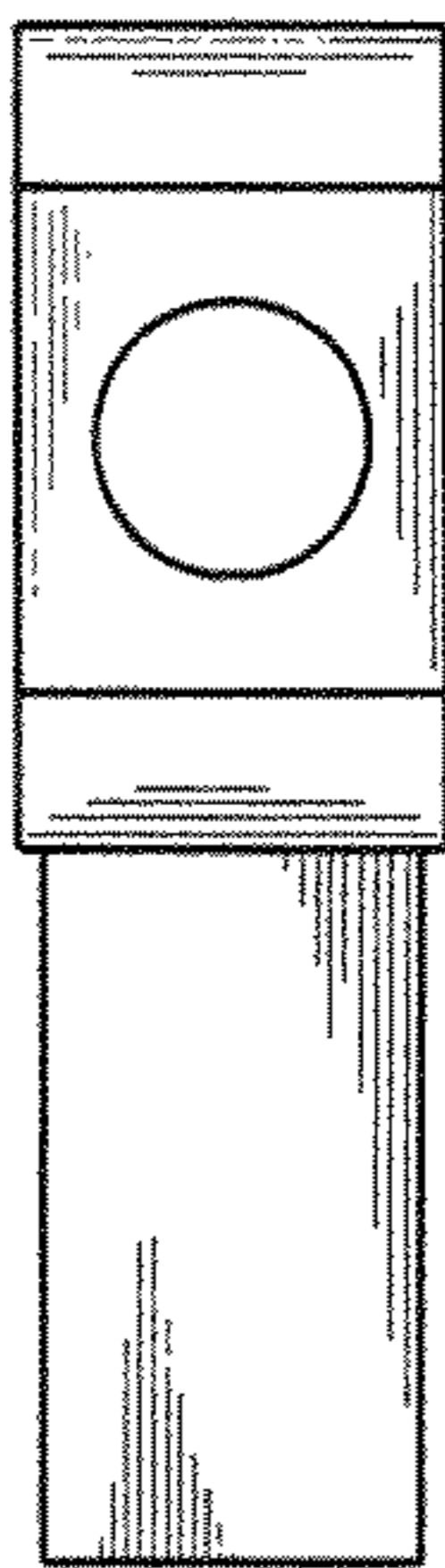


Fig. 2

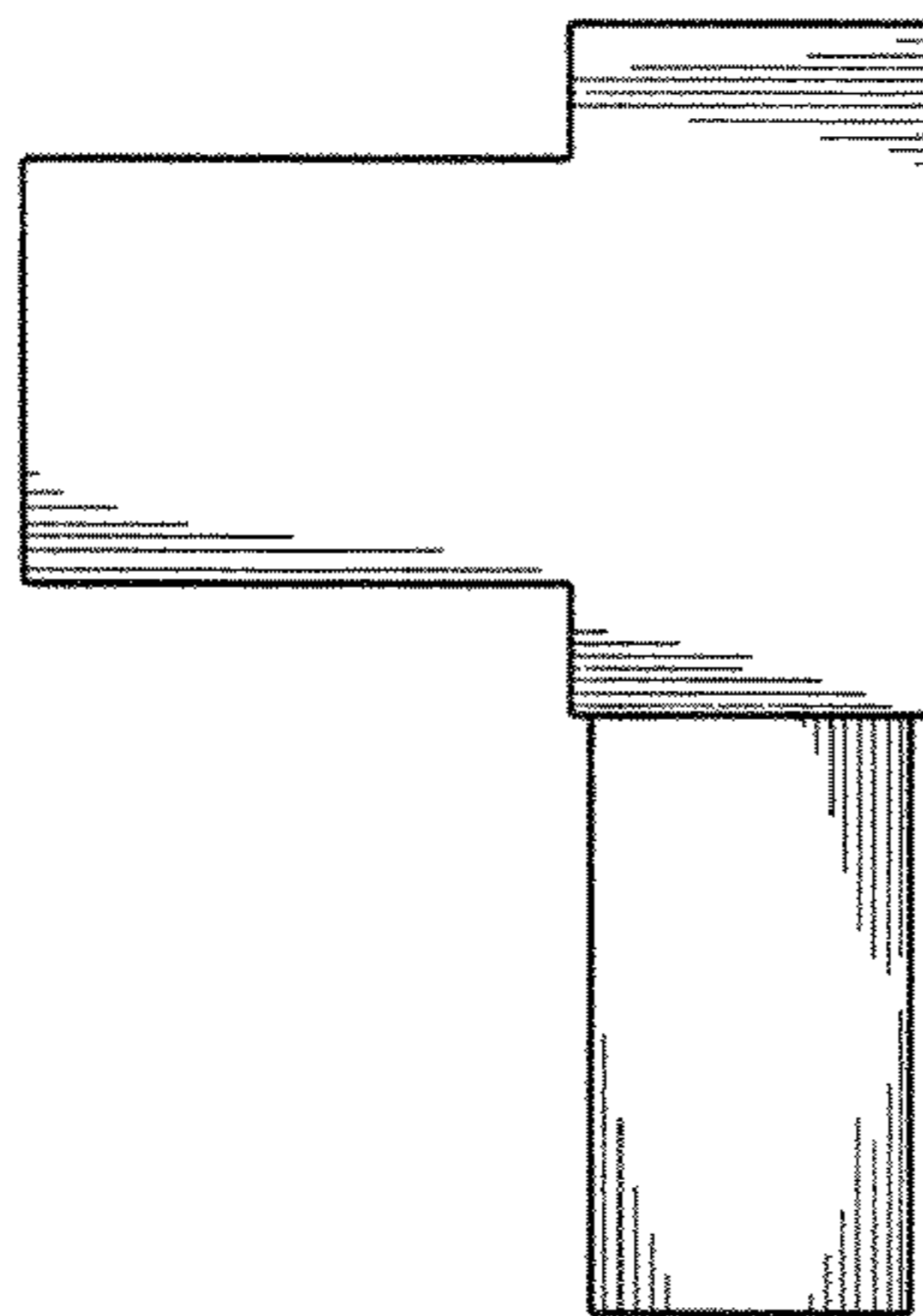


Fig. 3

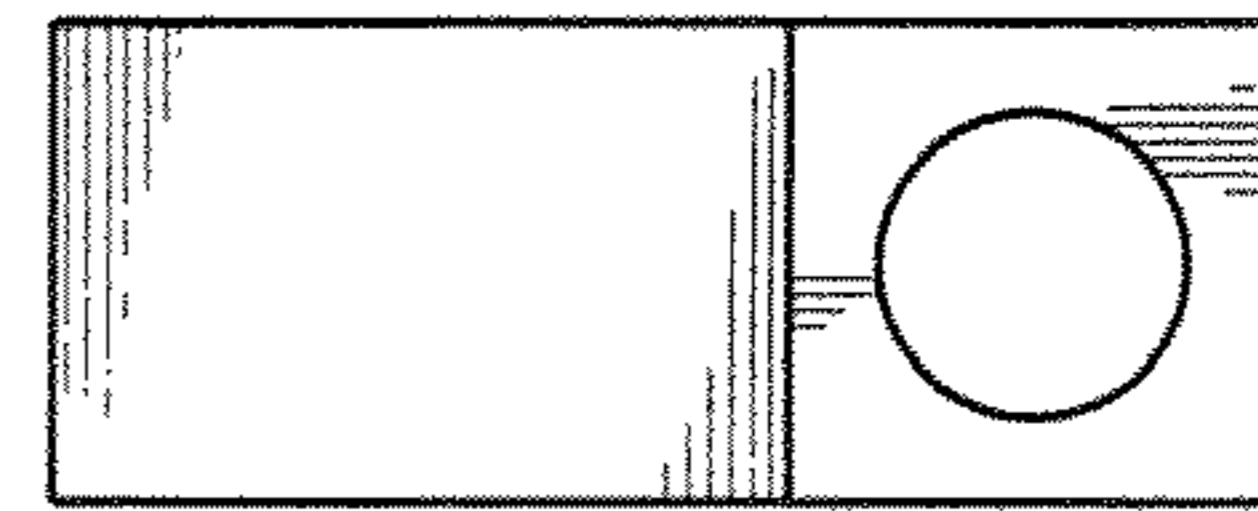


Fig. 6

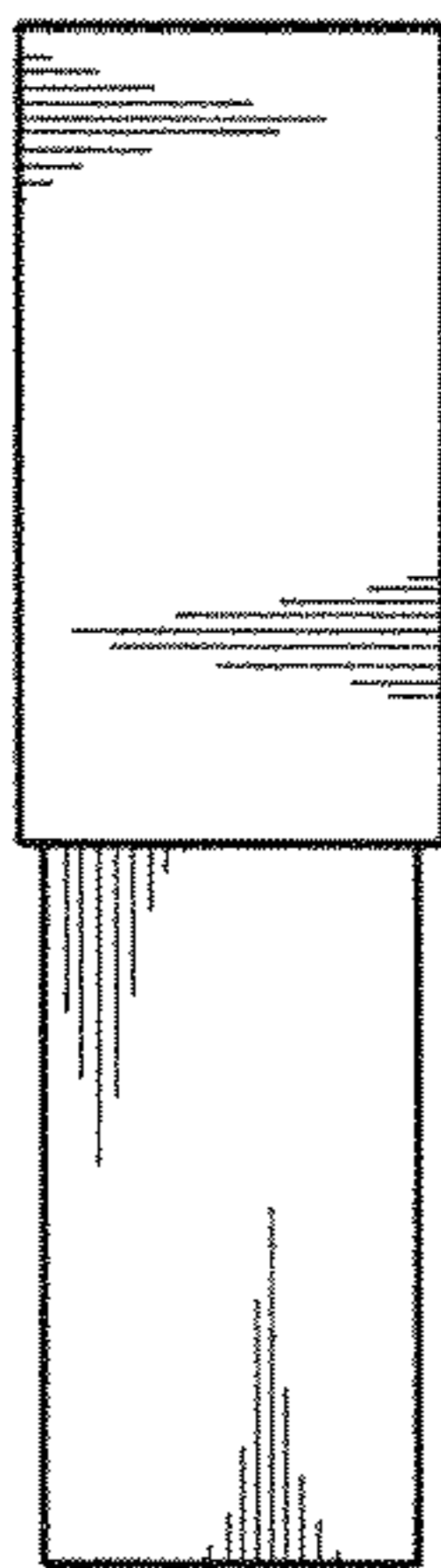


Fig. 4

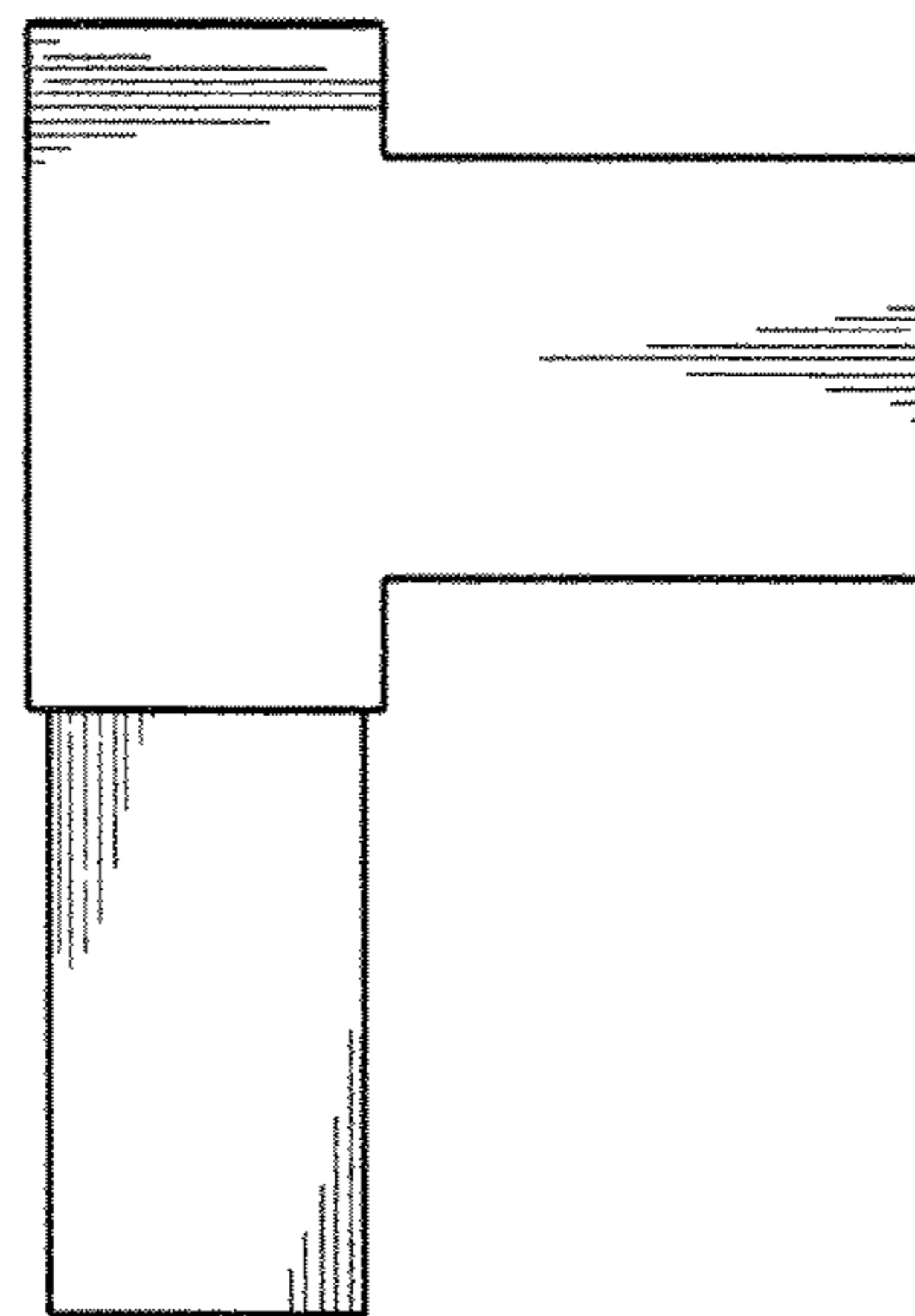


Fig. 5