



US00D622856S

(12) **United States Design Patent**  
**Ramsey**

(10) **Patent No.:** **US D622,856 S**

(45) **Date of Patent:** **\*\* Aug. 31, 2010**

(54) **ELECTRONIC DISPLAY UNIT**

(76) Inventor: **James T. Ramsey**, 2969 College Pl.,  
Norfolk, VA (US) 23510

(\*\*) Term: **14 Years**

(21) Appl. No.: **29/345,983**

(22) Filed: **Oct. 23, 2009**

(51) **LOC (9) Cl.** ..... **24-01**

(52) **U.S. Cl.** ..... **D24/186**

(58) **Field of Classification Search** ..... D24/107,  
D24/111, 164–165, 168–169, 185–186, 160;  
600/301, 481, 483–485, 509, 513, 519, 544;  
128/900; D10/81, 104; D14/381, 126, 371,  
D14/356, 388; D19/59

See application file for complete search history.

(56) **References Cited**

**U.S. PATENT DOCUMENTS**

D390,666 S *	2/1998	Lagerlof .....	D24/186
D412,748 S *	8/1999	Nabarro .....	D24/160
D414,870 S *	10/1999	Saltzstein et al. ....	D24/186
D426,204 S *	6/2000	Maio et al. ....	D14/356
D447,569 S *	9/2001	Baily et al. ....	D24/186
D489,722 S *	5/2004	Matuschek .....	D14/388
D535,031 S *	1/2007	Barrett et al. ....	D24/186
D558,351 S *	12/2007	Diener et al. ....	D24/186
D562,456 S *	2/2008	Scruggs et al. ....	D24/160

D569,521 S *	5/2008	Omaki .....	D24/186
D598,109 S *	8/2009	Collins et al. ....	D24/186
D608,452 S *	1/2010	Huang .....	D24/186
D609,350 S *	2/2010	Hickey et al. ....	D24/186
D611,991 S *	3/2010	Slowey et al. ....	D19/59
D613,411 S *	4/2010	Collins et al. ....	D24/186

\* cited by examiner

*Primary Examiner*—T. Chase Nelson

*Assistant Examiner*—Mark Cavanna

(74) *Attorney, Agent, or Firm*—Hoffman, Wasson & Gitler,  
P.C.

(57) **CLAIM**

The ornamental design for an electronic display unit, as shown and described.

**DESCRIPTION**

FIG. 1 is a front perspective view of an electronic display unit of the present design;

FIG. 2 is a top view of the embodiment of FIG. 1;

FIG. 3 is a left view of the embodiment of FIG. 1;

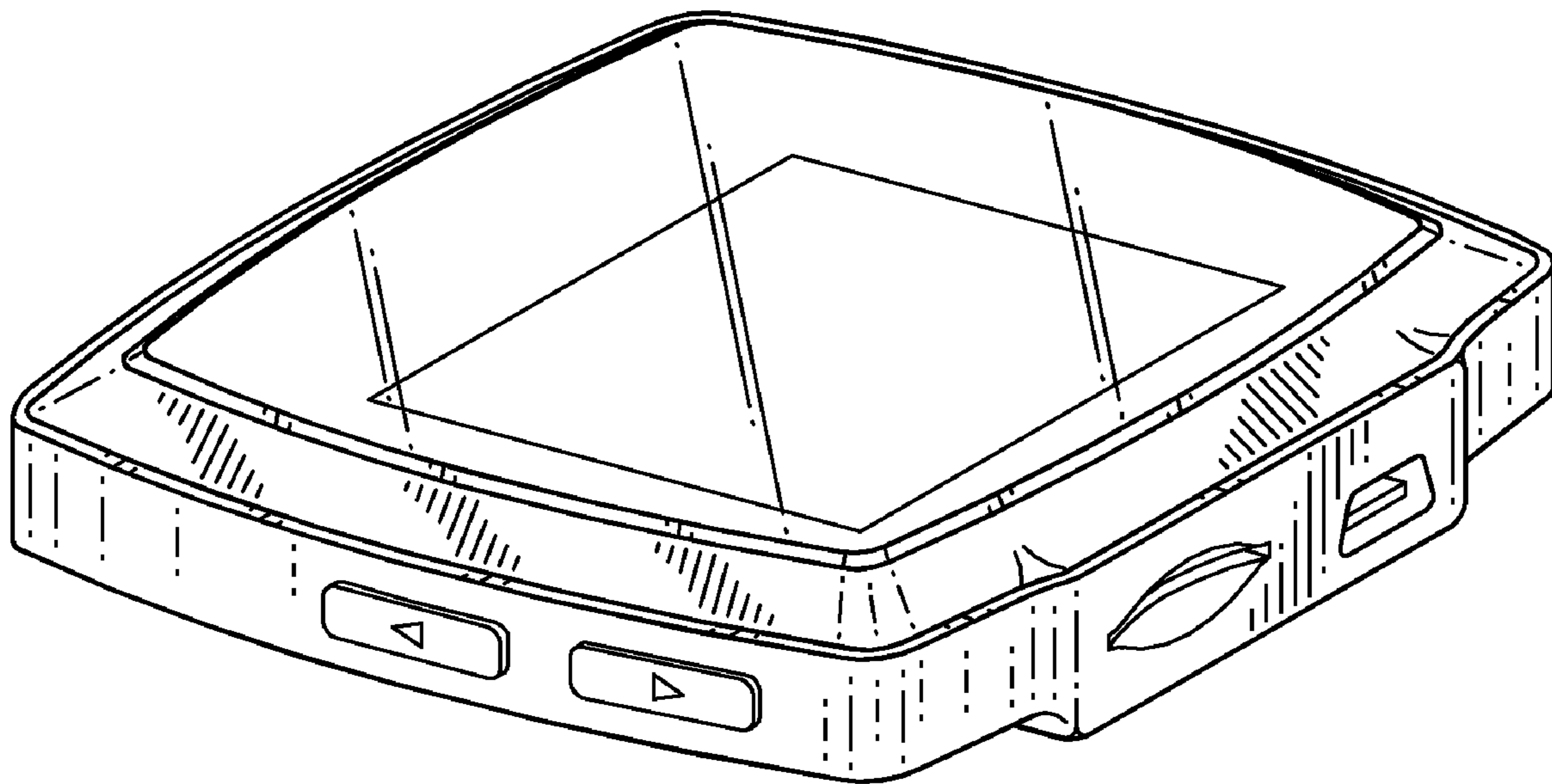
FIG. 4 is a right view of the embodiment of FIG. 1;

FIG. 5 is a top view of the embodiment of FIG. 1;

FIG. 6 is a back view of the embodiment of FIG. 1; and,

FIG. 7 is a bottom view of the embodiment of FIG. 1.

**1 Claim, 7 Drawing Sheets**



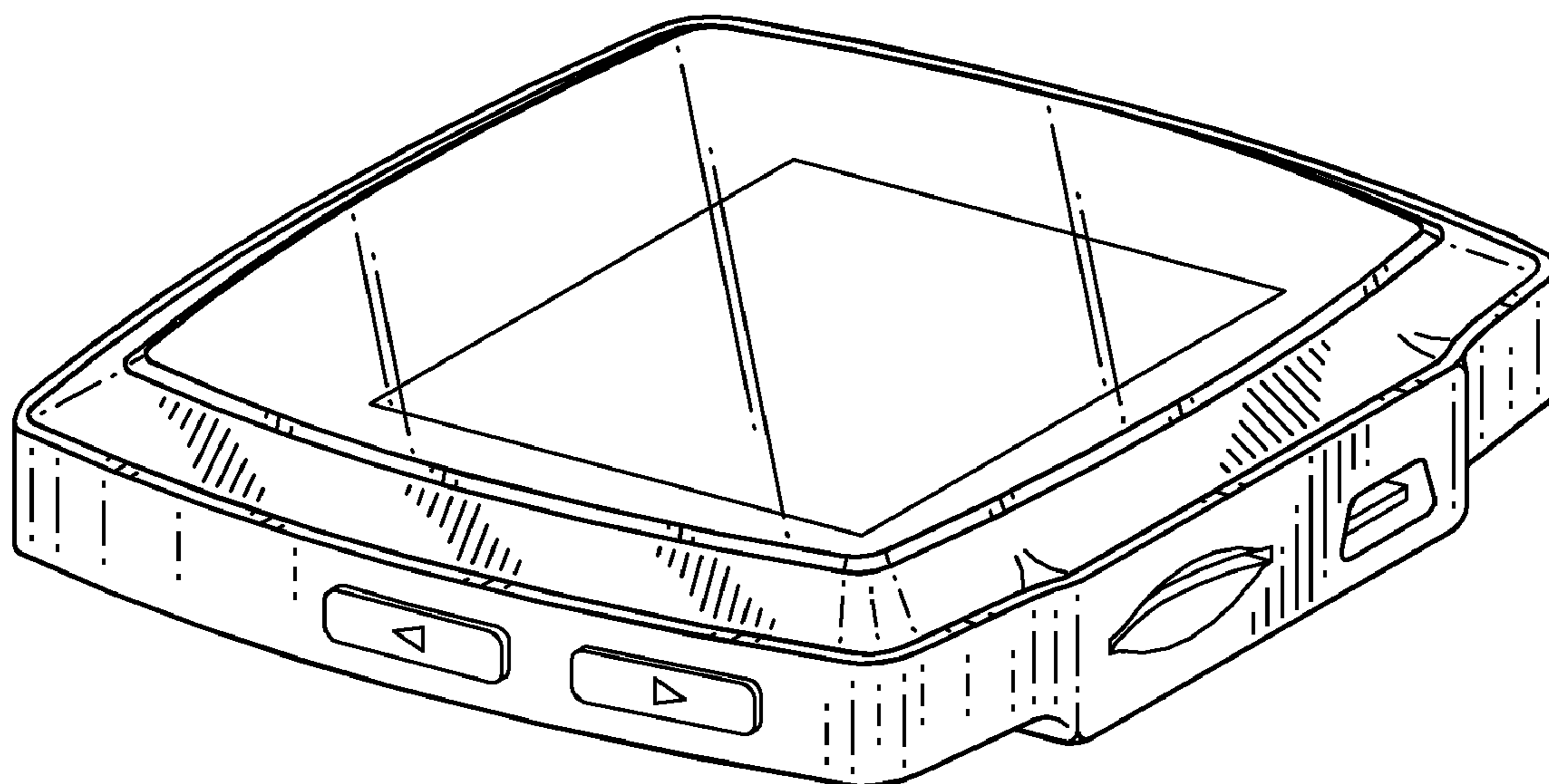


FIG. 1

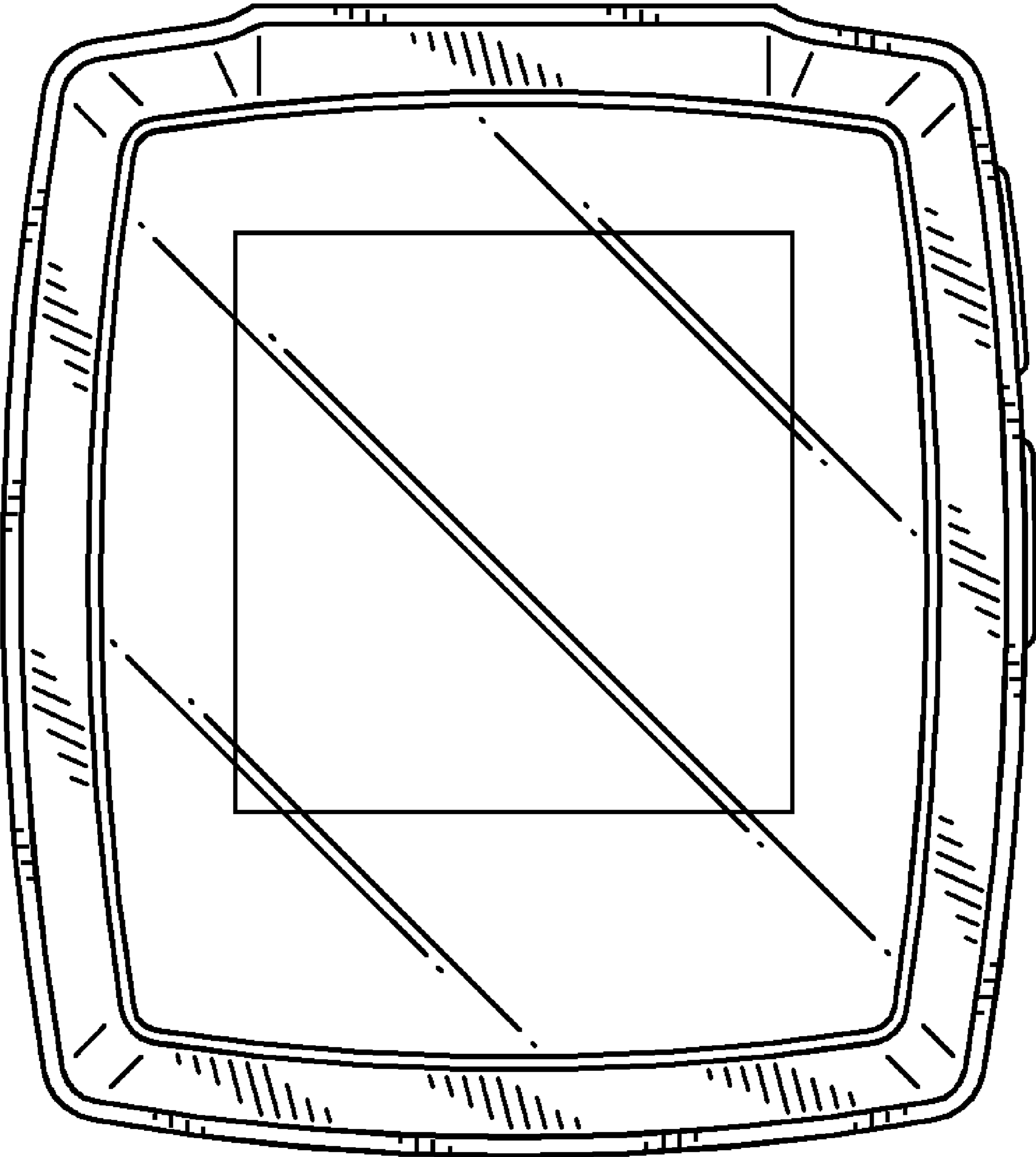
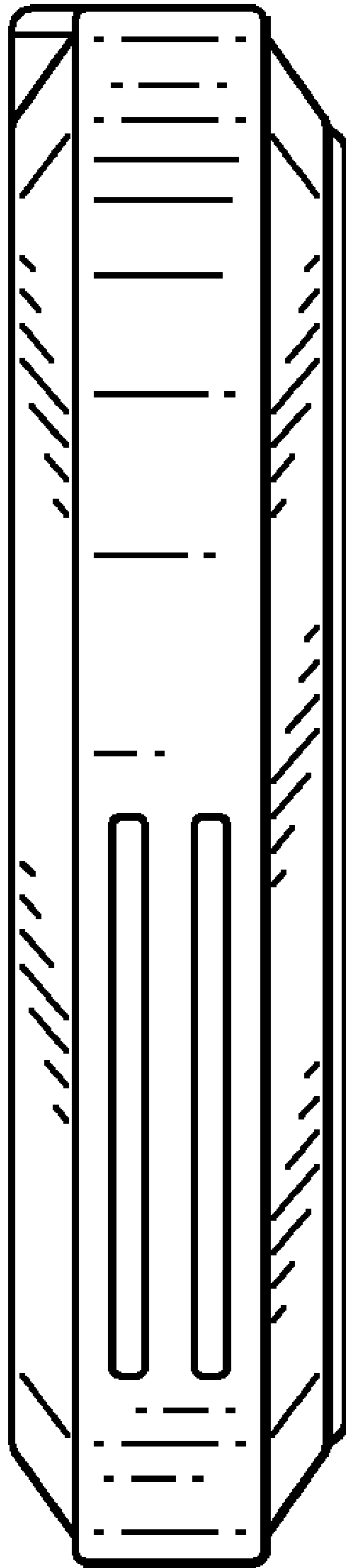
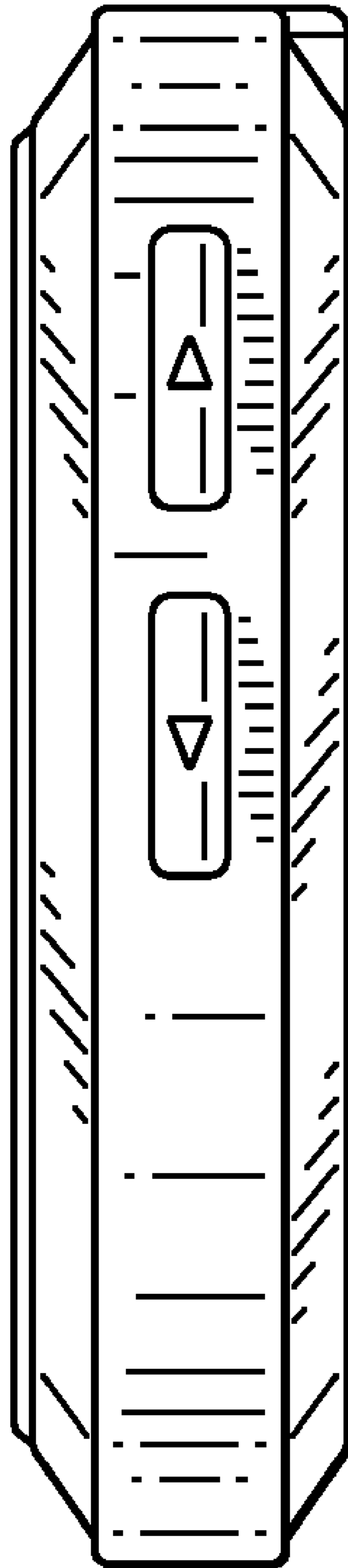


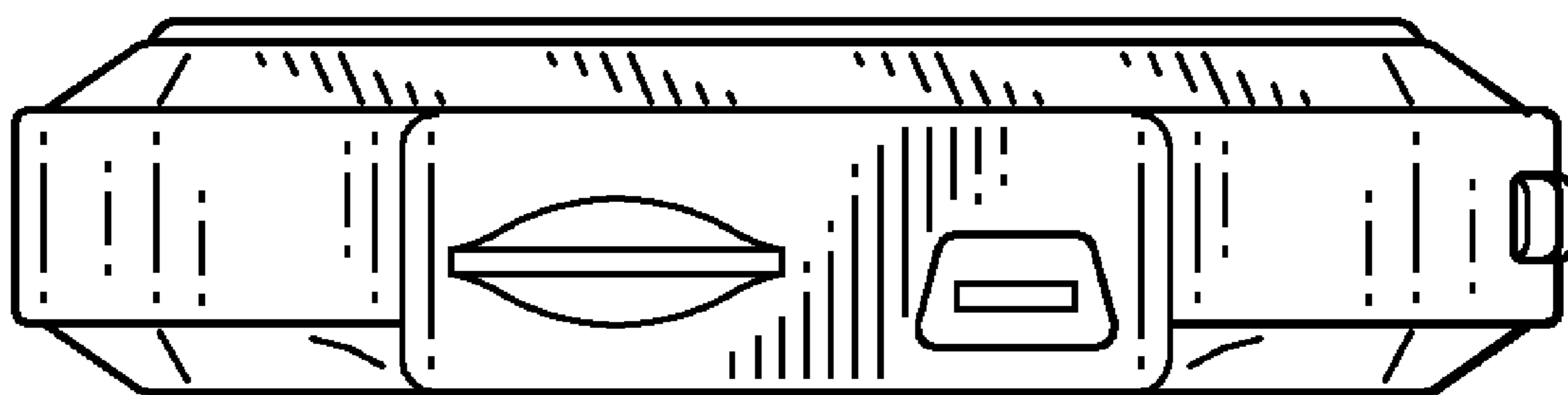
FIG. 2



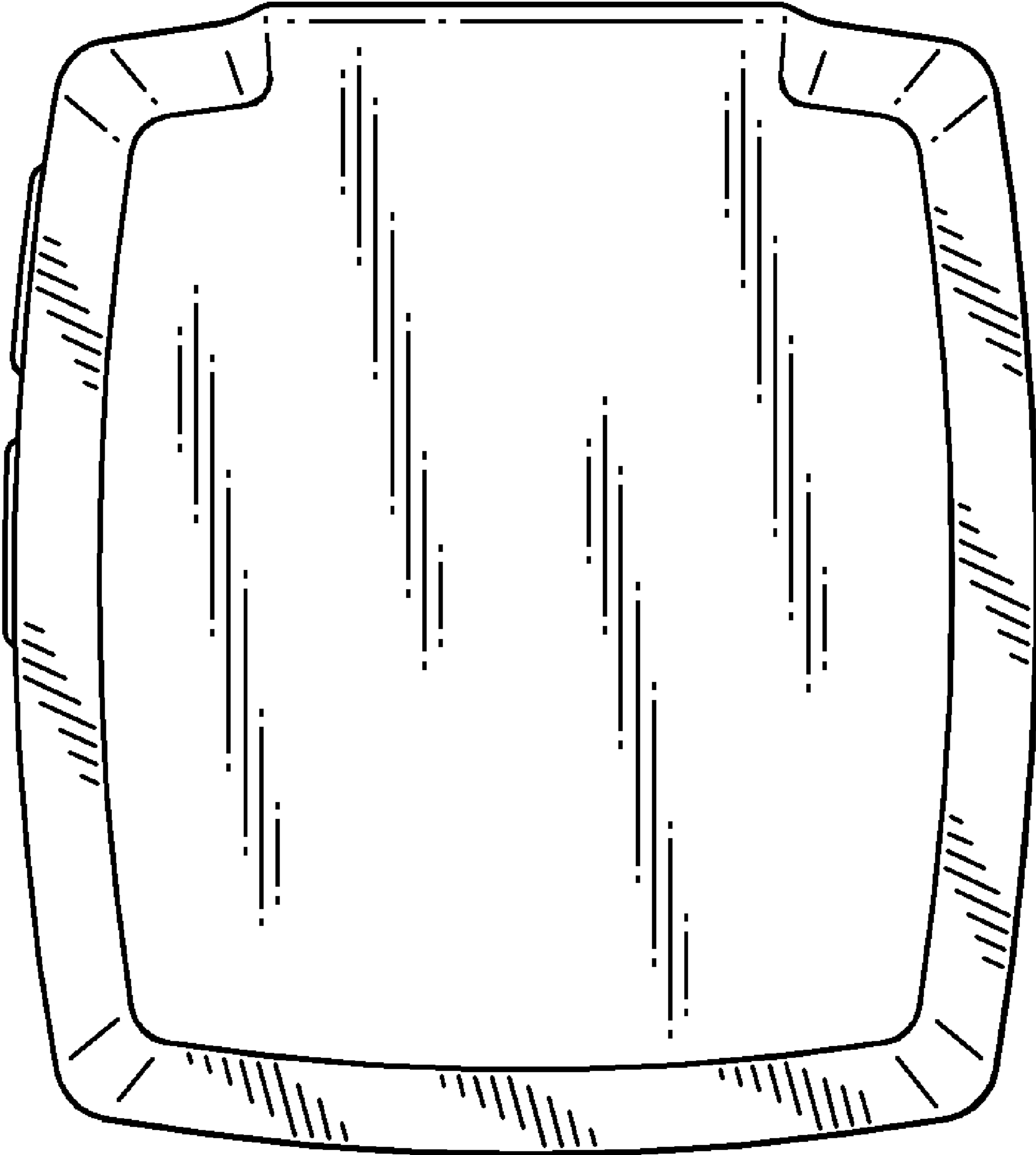
*FIG. 3*



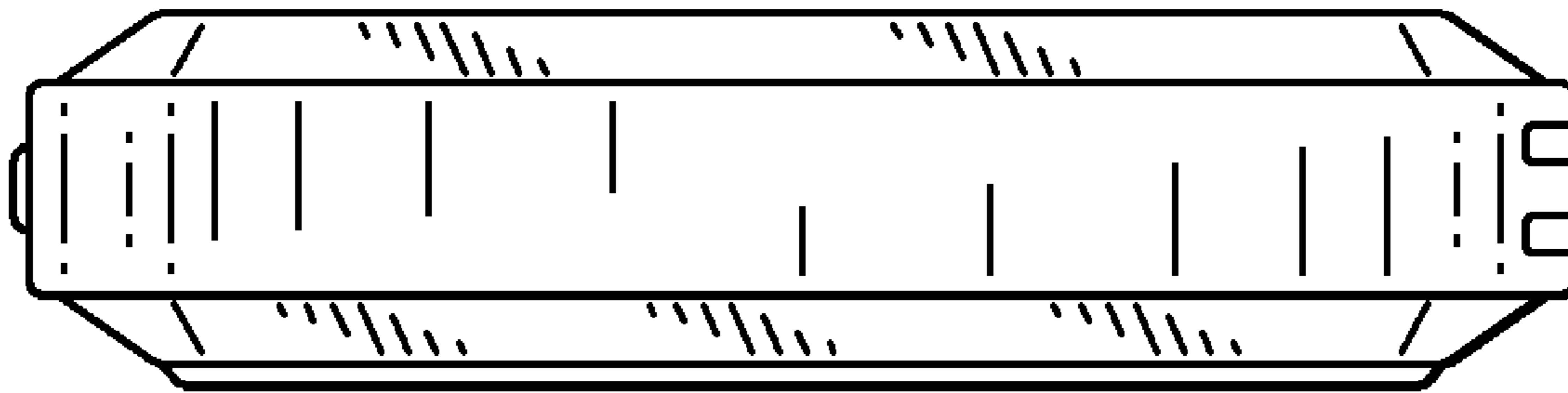
*FIG. 4*



*FIG. 5*



*FIG. 6*



*FIG. 7*