



US00D622855S

(12) **United States Design Patent**
Cano, Jr.

(10) **Patent No.:** **US D622,855 S**
(45) **Date of Patent:** **** Aug. 31, 2010**

(54) **HEARING AID**

(75) Inventor: **Miguel A. Cano, Jr.**, Chigaco, IL (US)

(73) Assignee: **GN ReSound A/S** (DK)

(**) Term: **14 Years**

(21) Appl. No.: **29/293,325**

(22) Filed: **Nov. 16, 2007**

(30) **Foreign Application Priority Data**

May 16, 2007 (EP) 000723812

(51) **LOC (9) Cl.** **24-99**

(52) **U.S. Cl.** **D24/174**

(58) **Field of Classification Search** D24/173-175,
D24/182, 106; D14/205, 223, 224, 249;
381/23.1, 312, 322, 323, 324, 328, 329, 330,
381/380, 381; 181/129, 130, 134, 135, 137
See application file for complete search history.

(56) **References Cited**

U.S. PATENT DOCUMENTS

D322,319 S *	12/1991	van Mourik	D24/174
D354,568 S *	1/1995	Araki et al.	D24/174
D367,113 S *	2/1996	Weeks	D24/174
D385,036 S *	10/1997	Nielsen	D24/174
5,802,183 A *	9/1998	Scheller et al.	381/322
6,041,128 A *	3/2000	Narisawa et al.	381/322
D455,835 S *	4/2002	Anderson et al.	D24/174
D457,635 S *	5/2002	Dittli et al.	D24/174
D473,652 S *	4/2003	Darley et al.	D24/173
D516,216 S *	2/2006	Portmann	D24/174
D532,111 S *	11/2006	Espersen	D24/174
D541,420 S *	4/2007	Darbut et al.	D24/174
D575,277 S *	8/2008	Gaarde et al.	D14/223

* cited by examiner

Primary Examiner—T. Chase Nelson

Assistant Examiner—Anhdao Doan

(74) *Attorney, Agent, or Firm*—Vista IP Law Group, LLP.

(57) **CLAIM**

The ornamental design for a hearing aid, as shown and described.

DESCRIPTION

FIG. 1 is a bottom perspective view of a hearing aid;
 FIG. 2 is a left side perspective view of the hearing aid;
 FIG. 3 is a right side perspective view of the hearing aid;
 FIG. 4 is a front perspective view of the hearing aid;
 FIG. 5 is a rear perspective view of the hearing aid;
 FIG. 6 is a top perspective view of the hearing aid;
 FIG. 7 is a bottom perspective view of the hearing aid;
 FIG. 8 is a bottom perspective view of the hearing aid without a cover;
 FIG. 9 is a left side perspective view of the hearing aid without the cover;
 FIG. 10 is a right side perspective view of the hearing aid without the cover;
 FIG. 11 is a front perspective view of the hearing aid without the cover;
 FIG. 12 is a rear perspective view of the hearing aid without the cover;
 FIG. 13 is a top perspective view of the hearing aid without the cover;
 FIG. 14 is a bottom view of the hearing aid without an ear dome;
 FIG. 15 is a bottom perspective view of the hearing aid without an ear dome;
 FIG. 16 is a left side perspective view of the hearing aid without the ear dome;
 FIG. 17 is a right side perspective view of the hearing aid without the ear dome;
 FIG. 18 is a front perspective view of the hearing aid without the ear dome;
 FIG. 19 is a rear perspective view of the hearing aid without the ear dome;

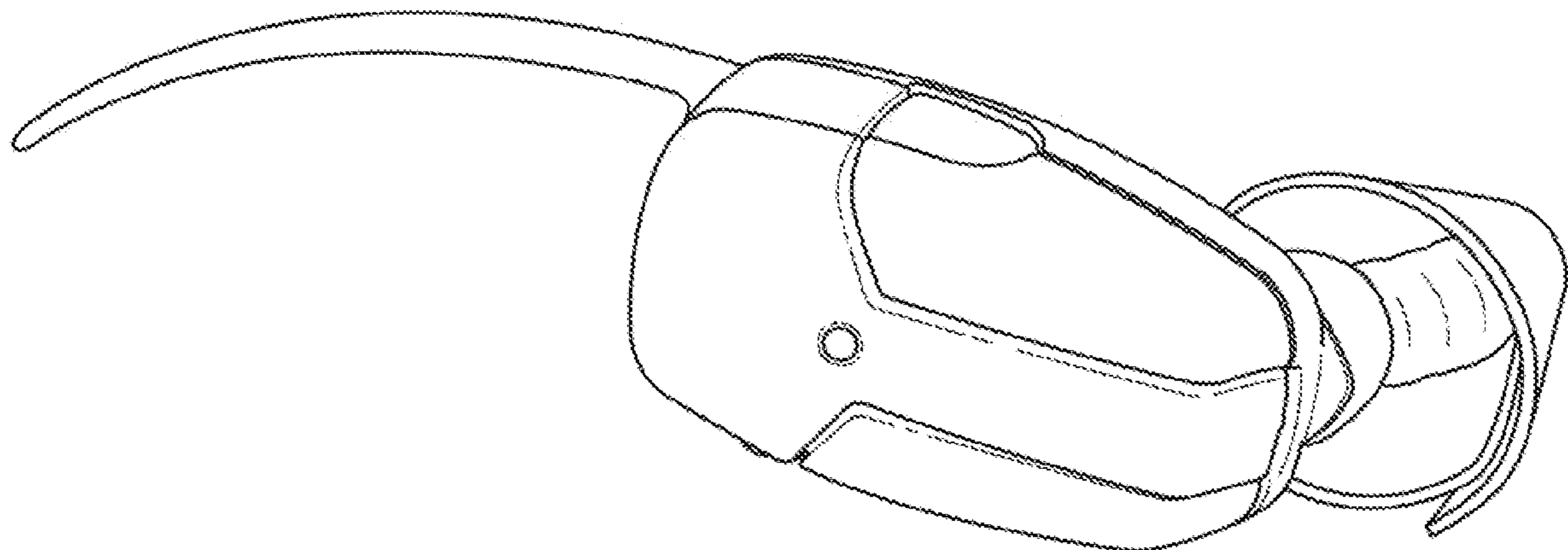


FIG. **20** is a top perspective view of the hearing aid without the ear dome;

FIG. **21** is a bottom perspective view of the hearing aid without the ear dome;

FIG. **22** is a rear perspective view of a cover of the hearing aid;

FIG. **23** is a left side perspective view of the cover;

FIG. **24** is a right side perspective view of the cover;

FIG. **25** is a front perspective view of the cover;

FIG. **26** is a rear perspective view of the cover;

FIG. **27** is a top view of the cover;

FIG. **28** is a bottom view of the cover;

FIG. **29** is a bottom perspective view of the hearing aid without the retention device;

FIG. **30** is a left side perspective view of the hearing aid without the retention device;

FIG. **31** is a right side perspective view of the hearing aid without the retention device;

FIG. **32** is a front perspective view of the hearing aid without the retention device;

FIG. **33** is a rear perspective view of the hearing aid without the retention device;

FIG. **34** is a top perspective view of the hearing aid without the retention device; and,

FIG. **35** is a bottom perspective view of the hearing aid without the retention device.

1 Claim, 35 Drawing Sheets

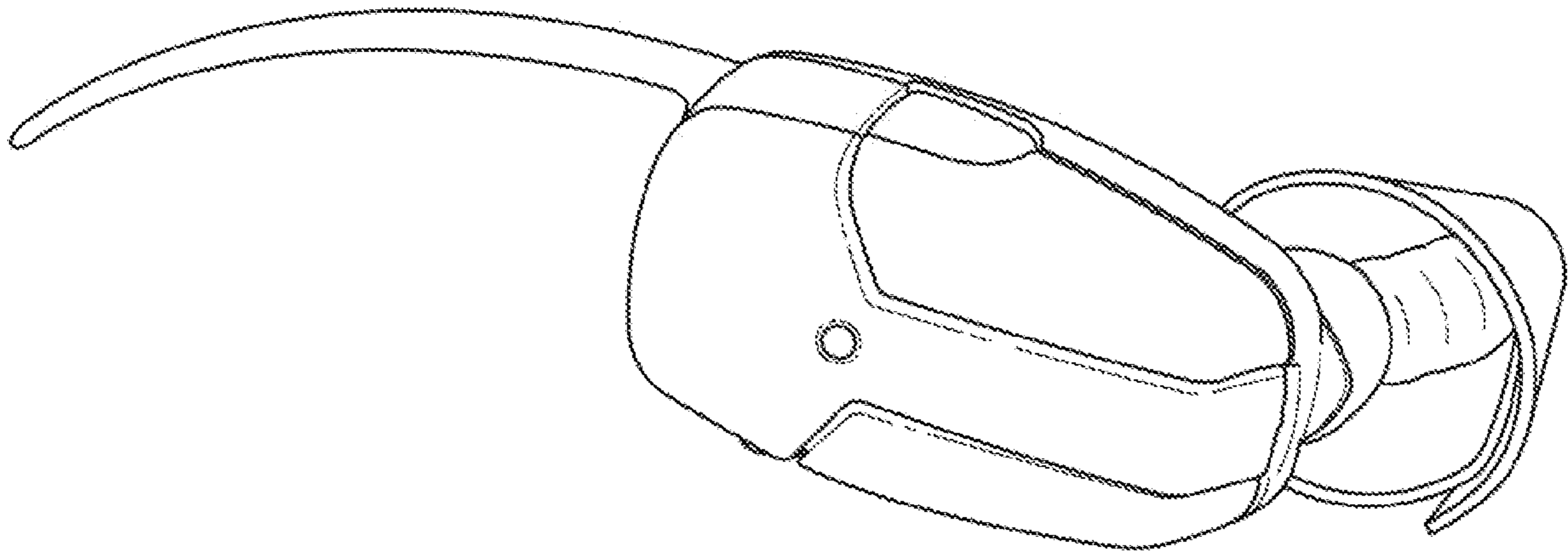


FIG. 1

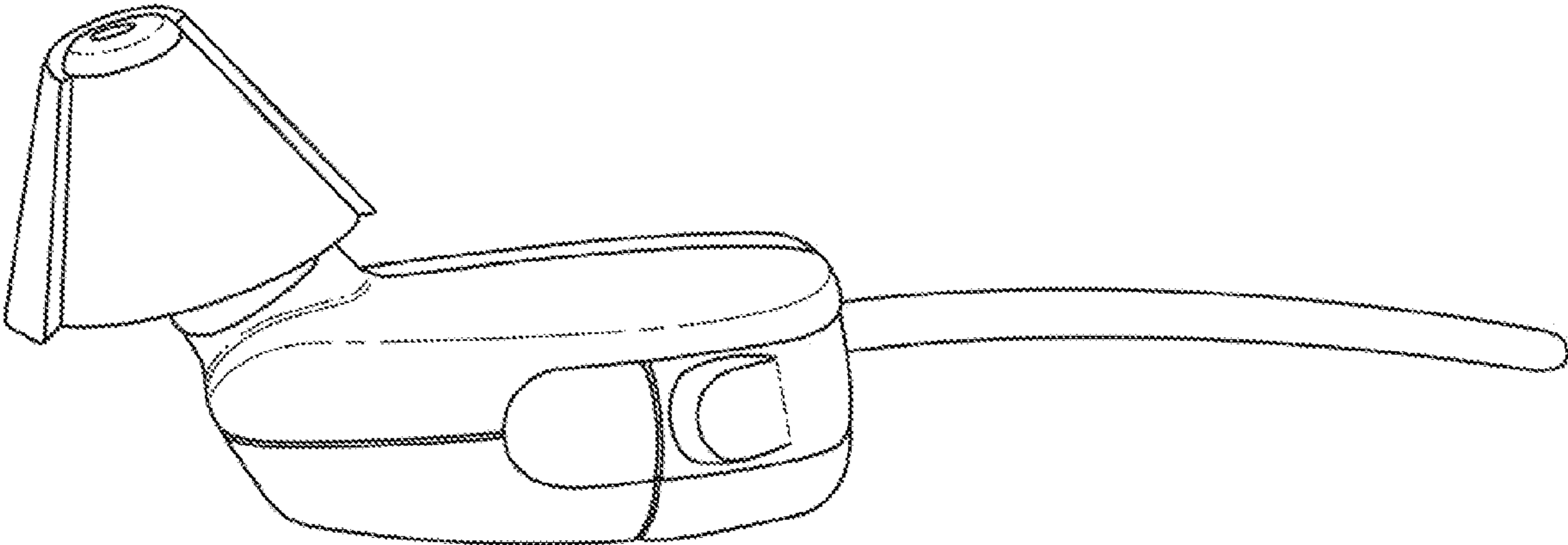


FIG. 2

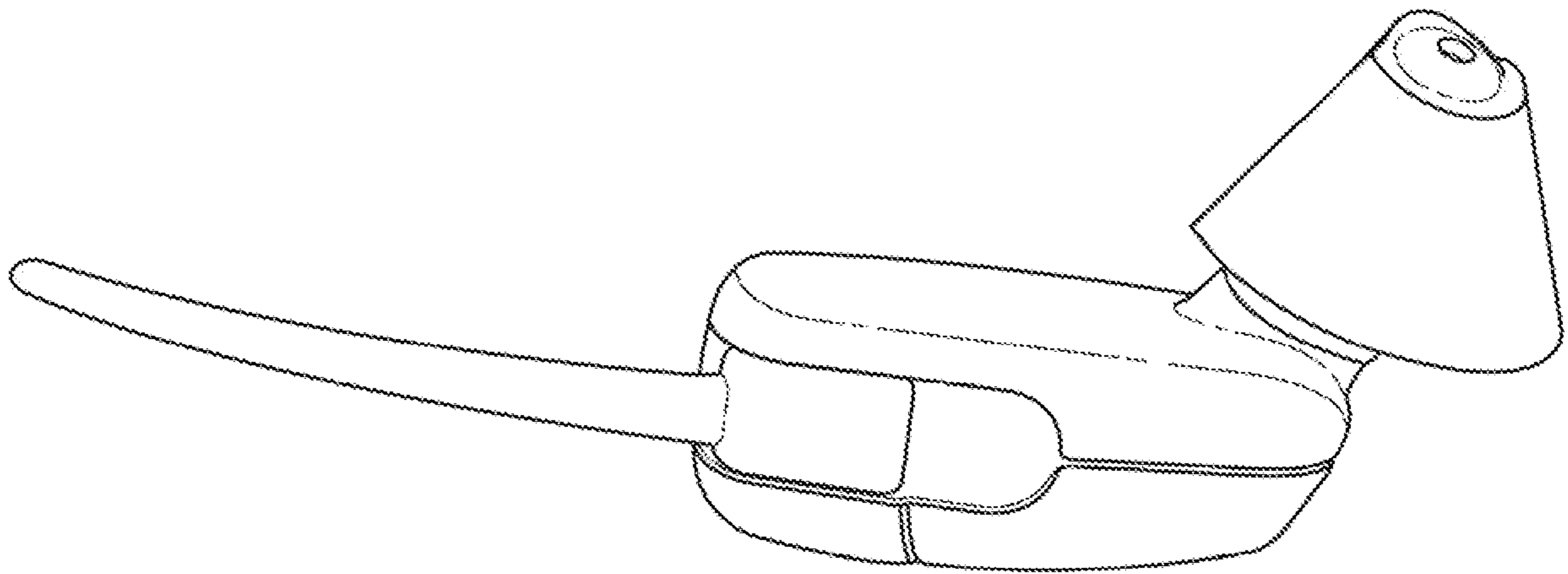


FIG. 3

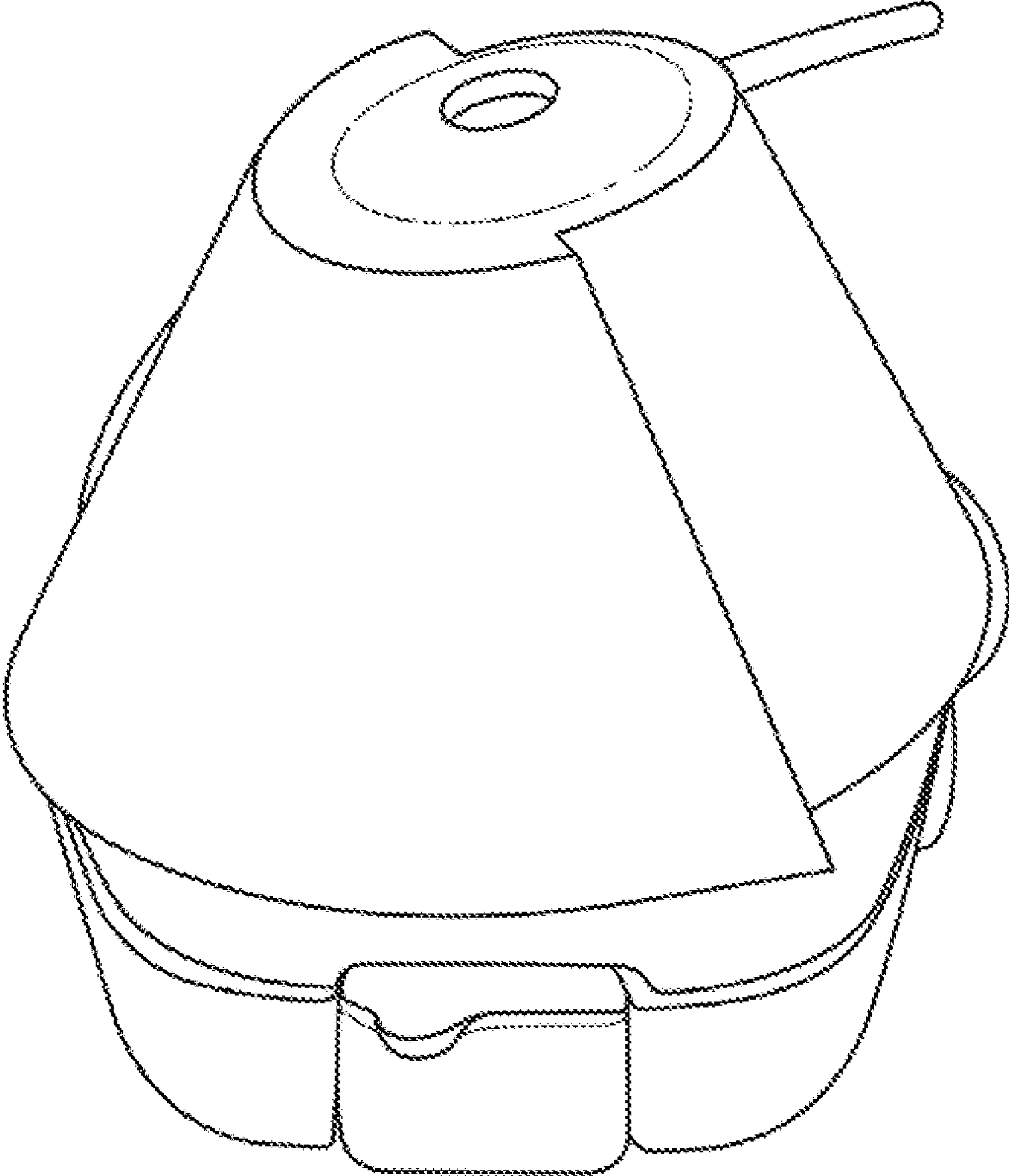


FIG. 4

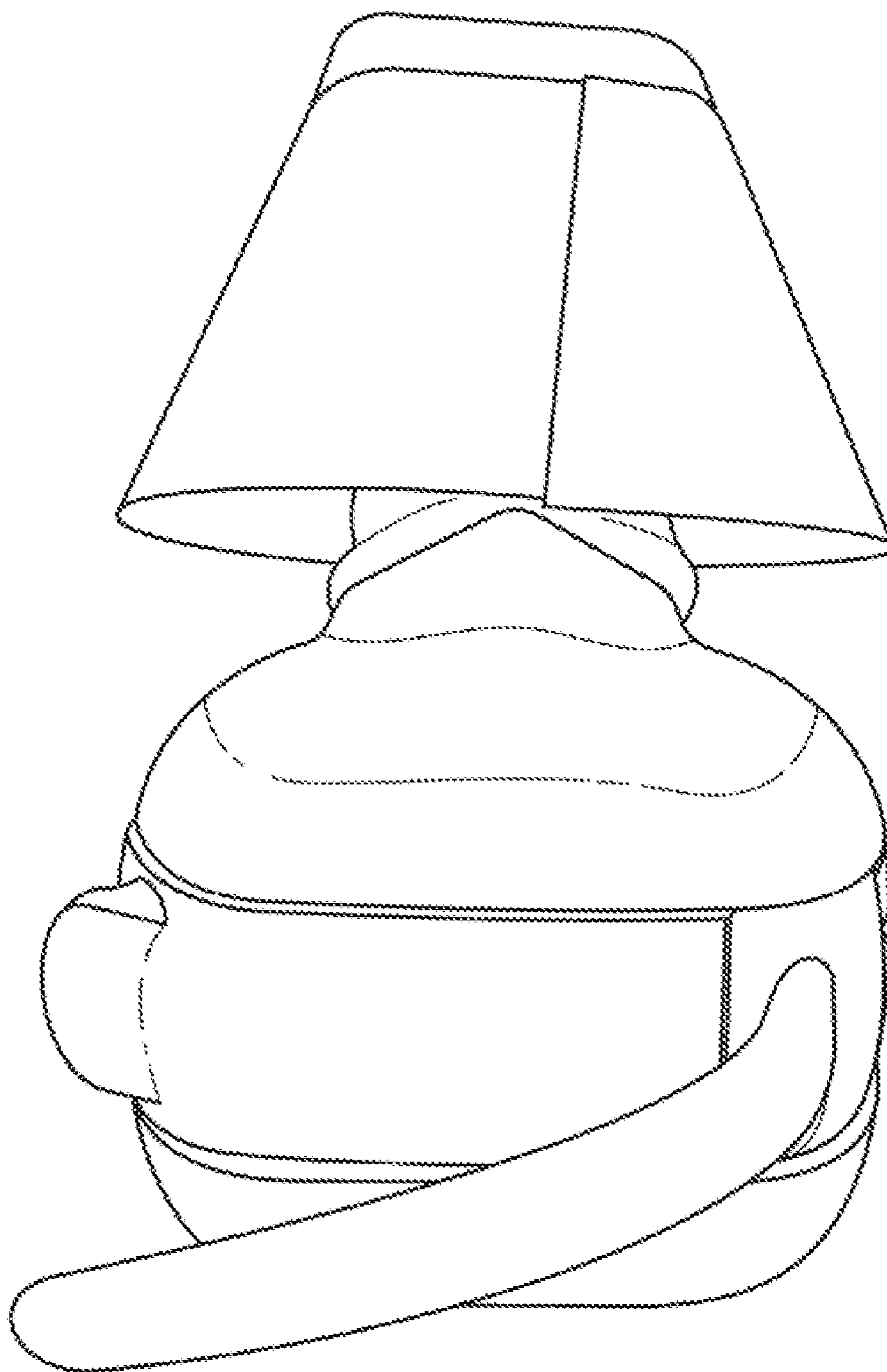


FIG. 5

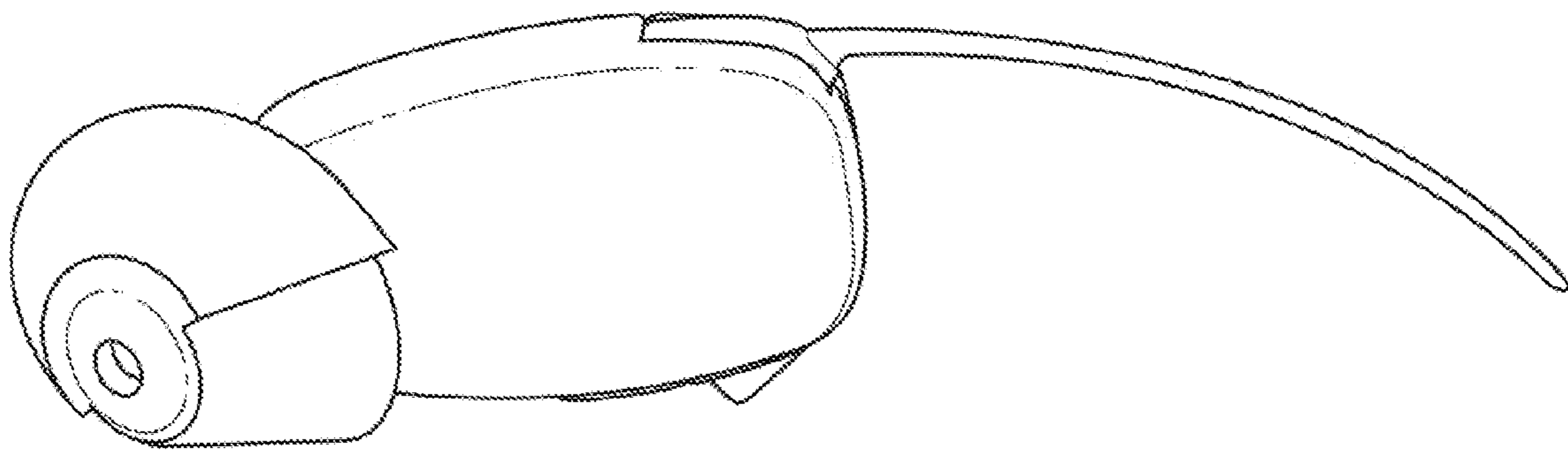


FIG. 6

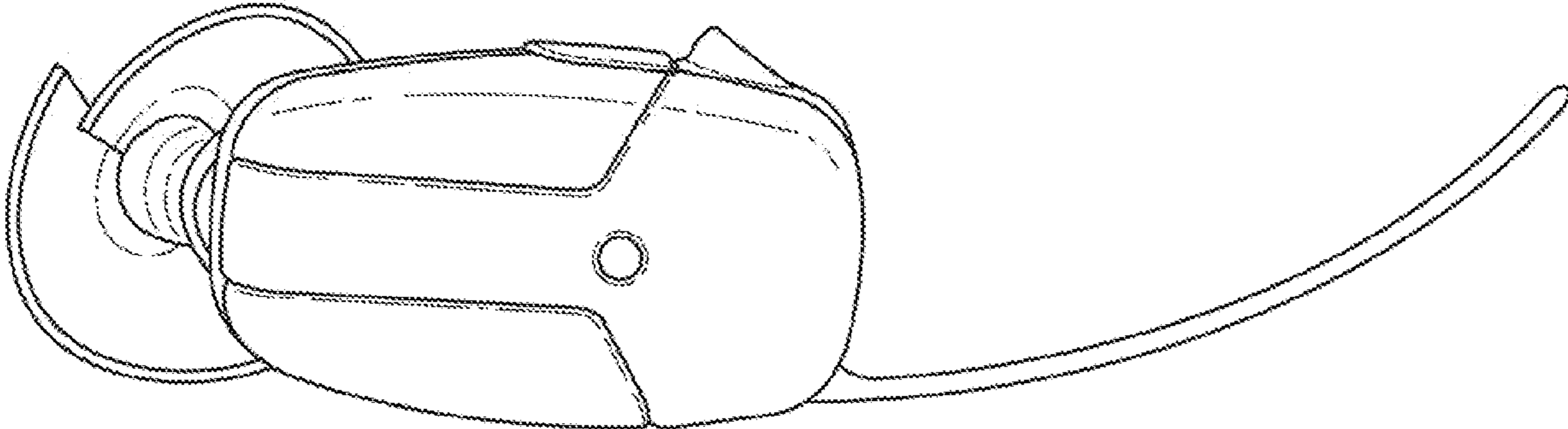


FIG. 7

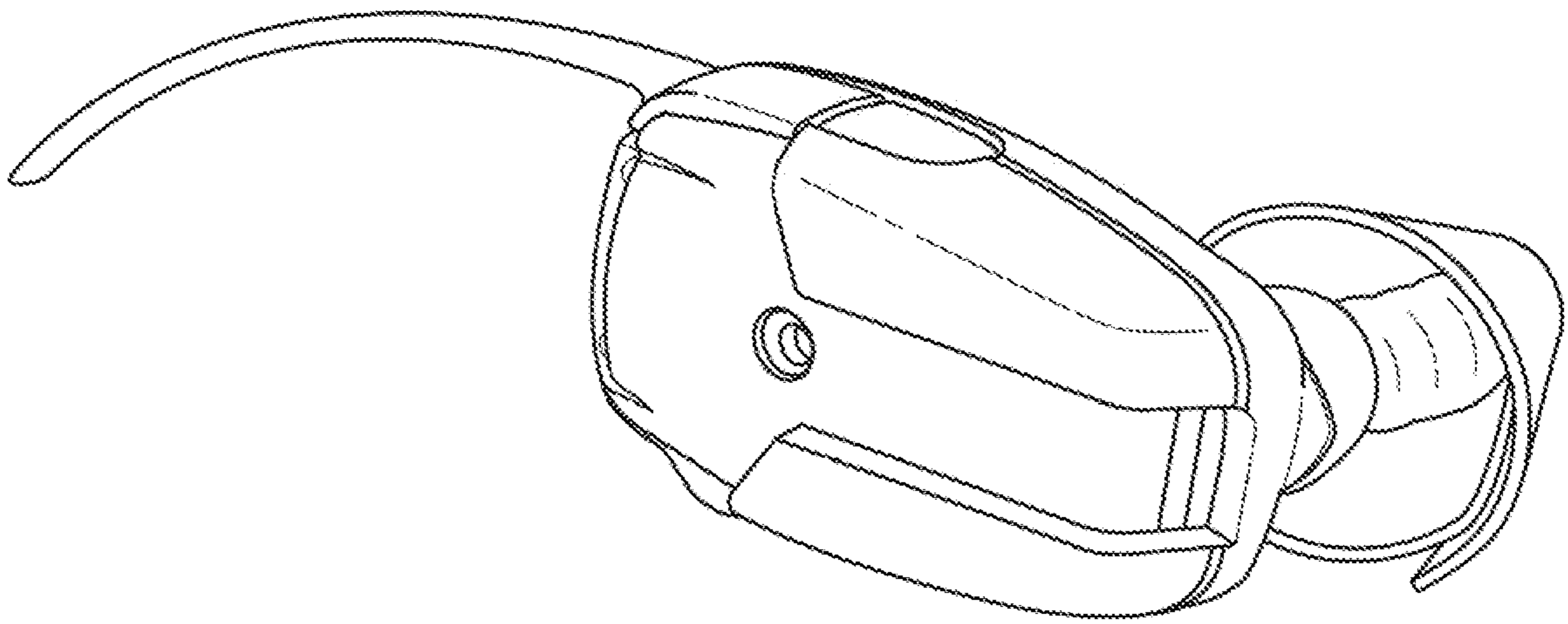


FIG. 8

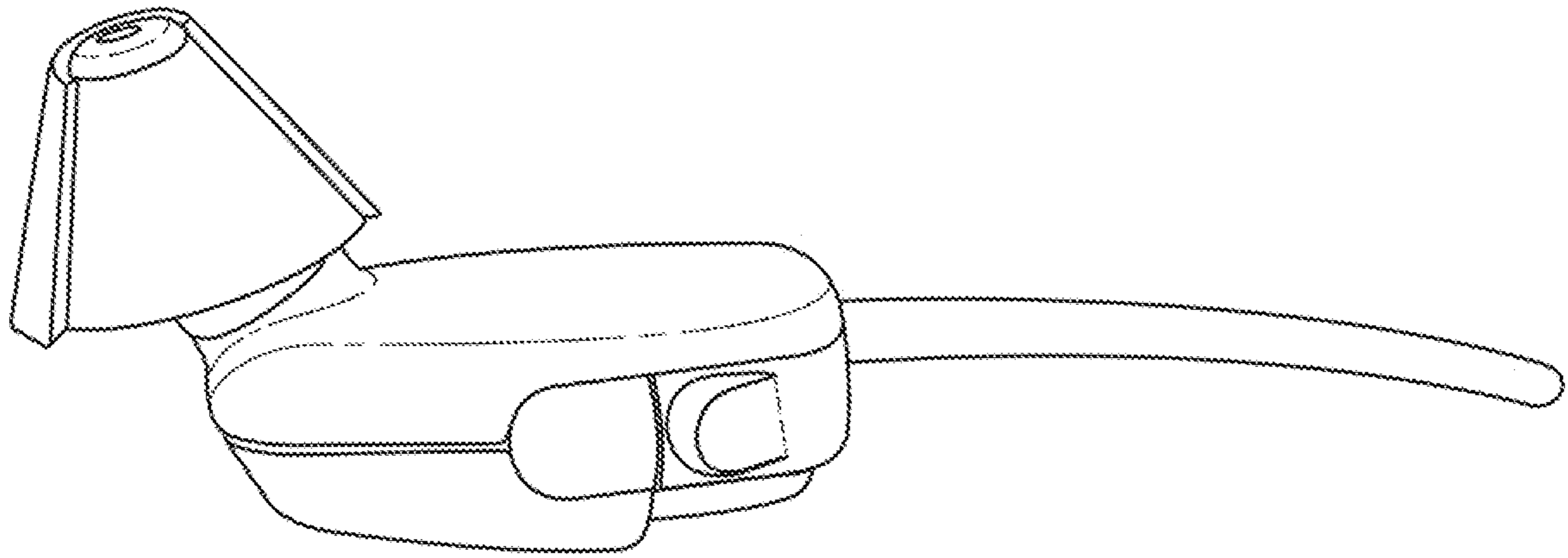


FIG. 9

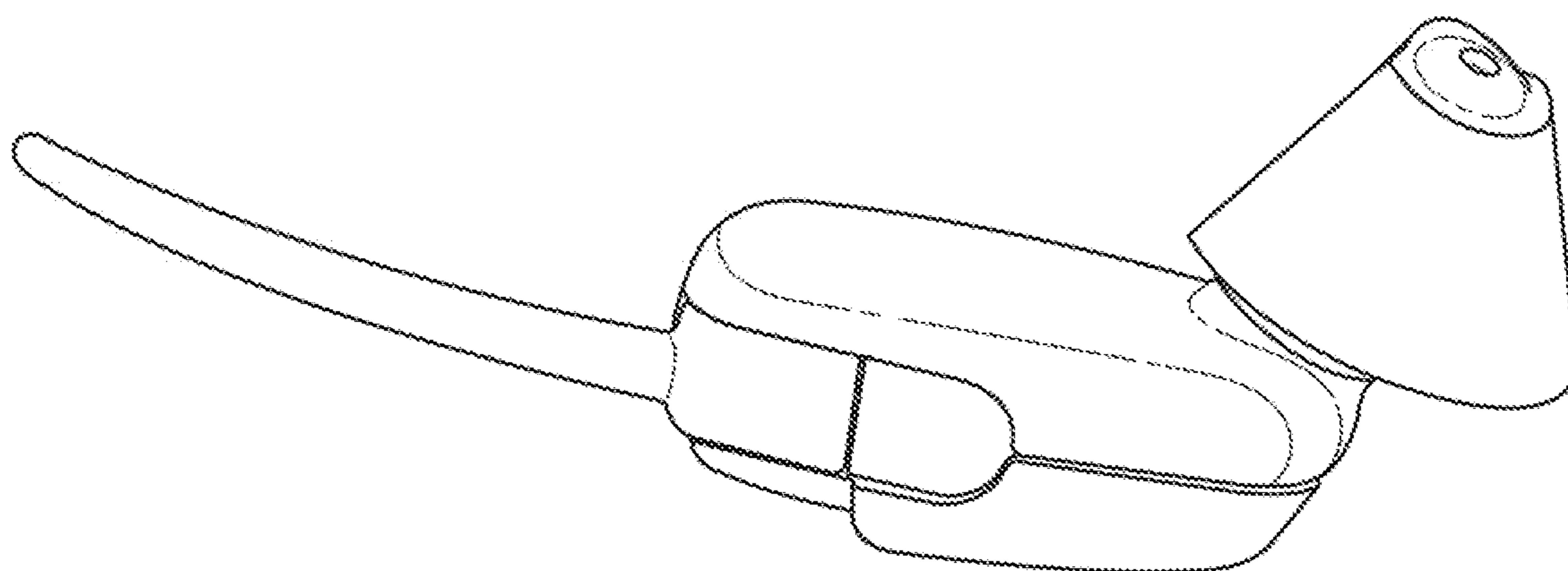


FIG. 10

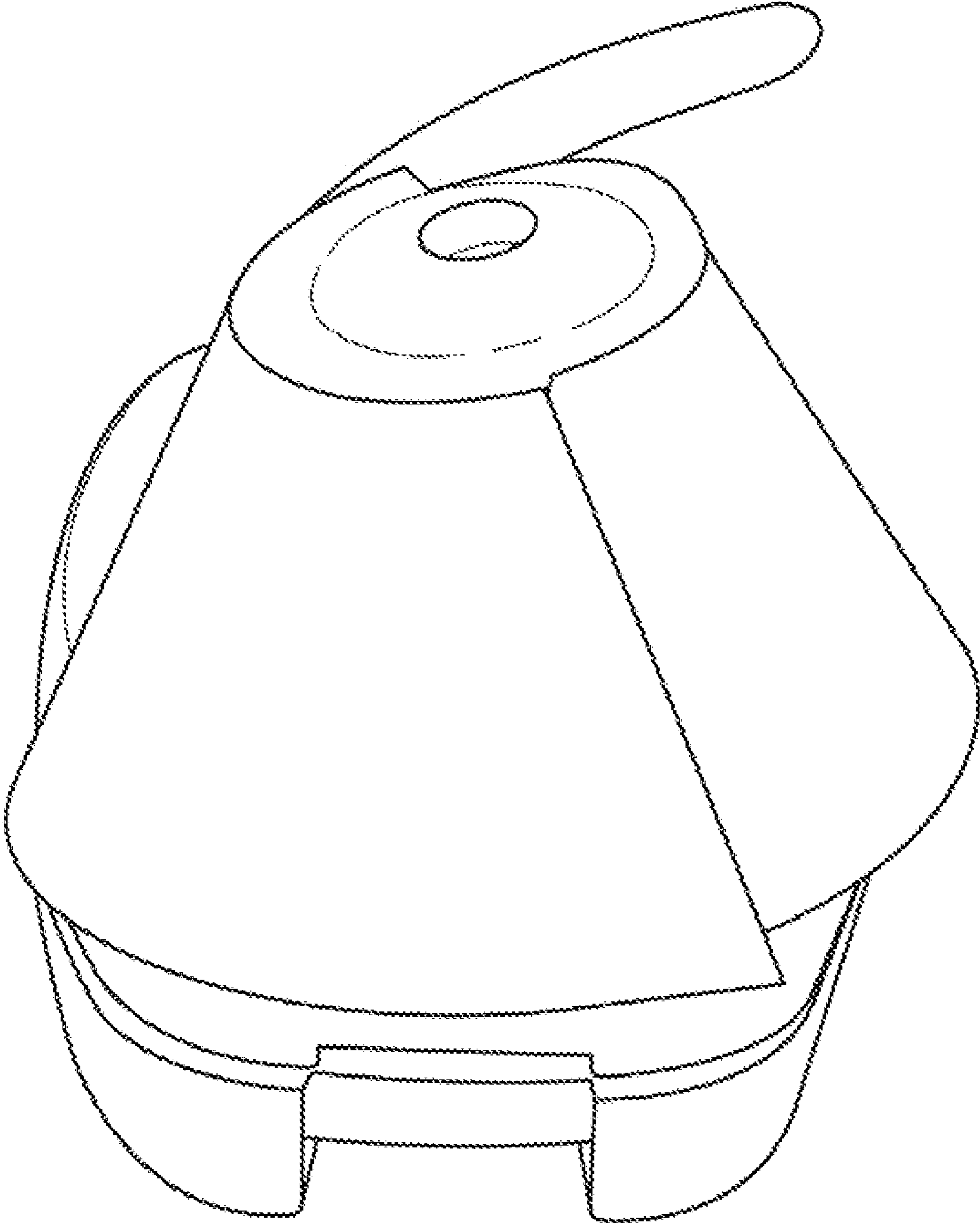


FIG. 11

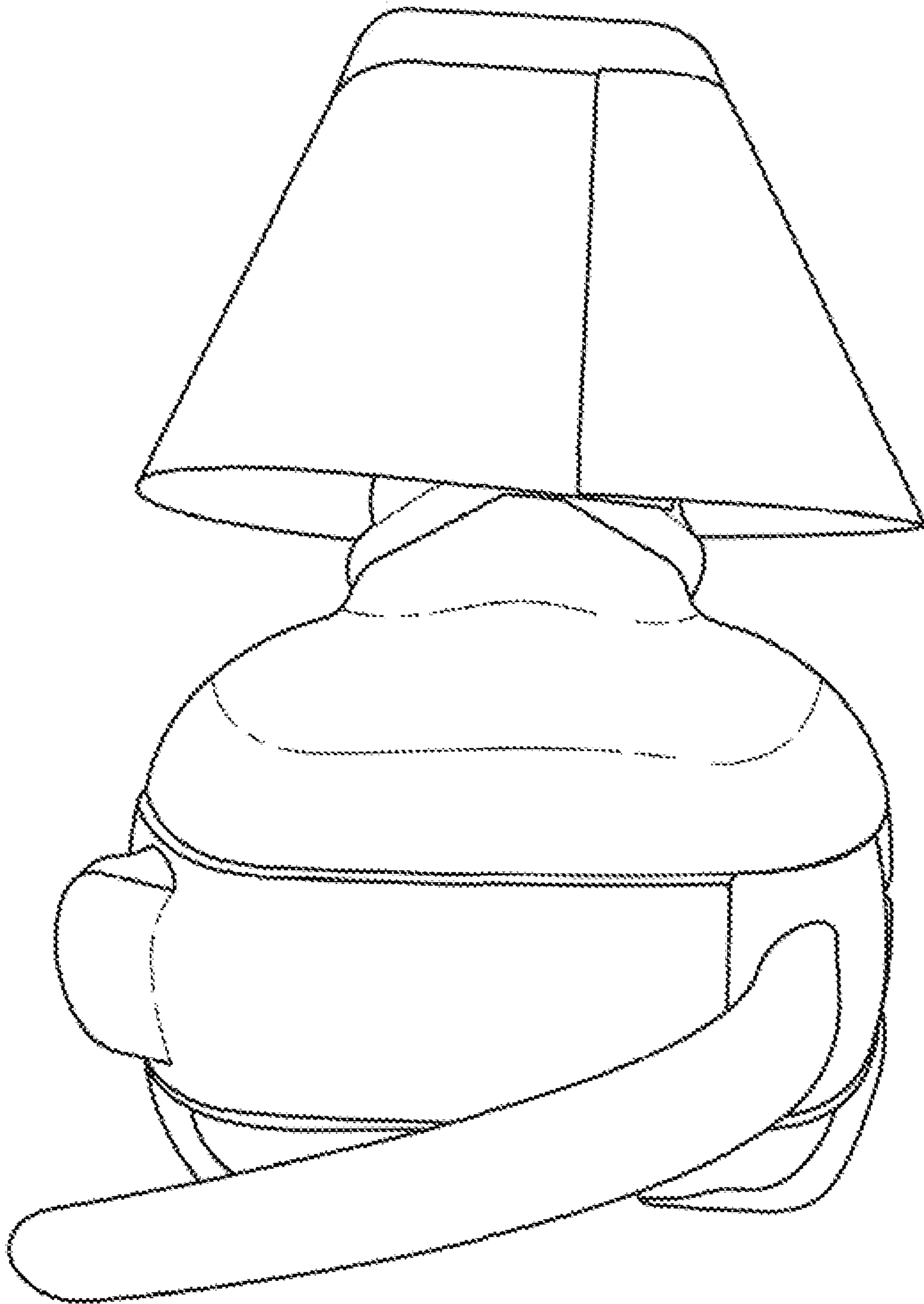


FIG. 12

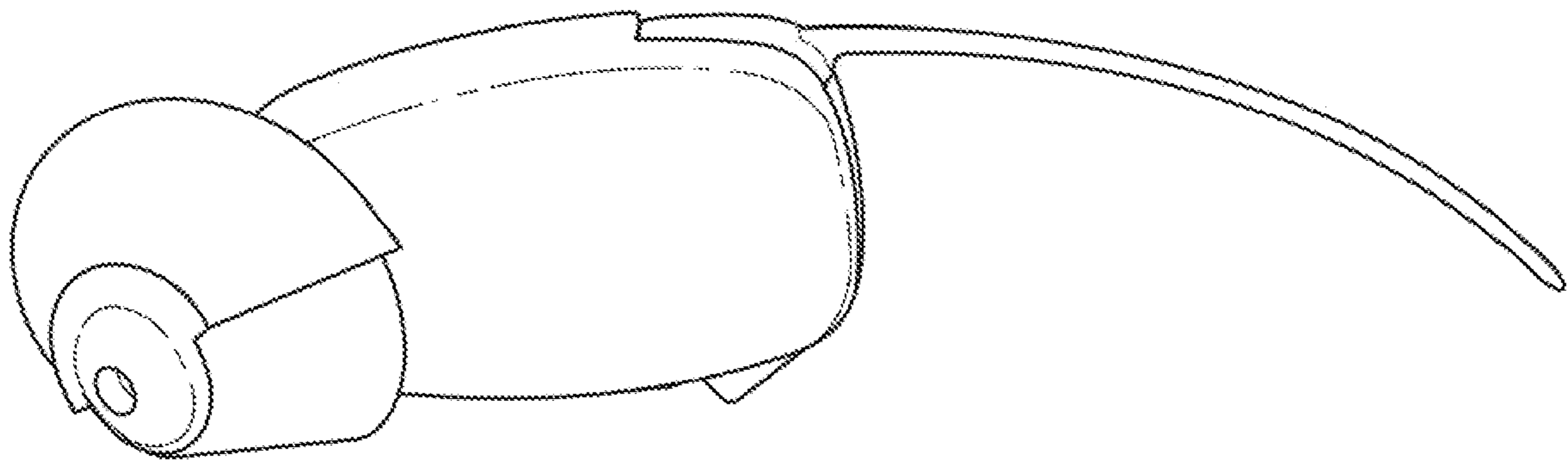


FIG. 13

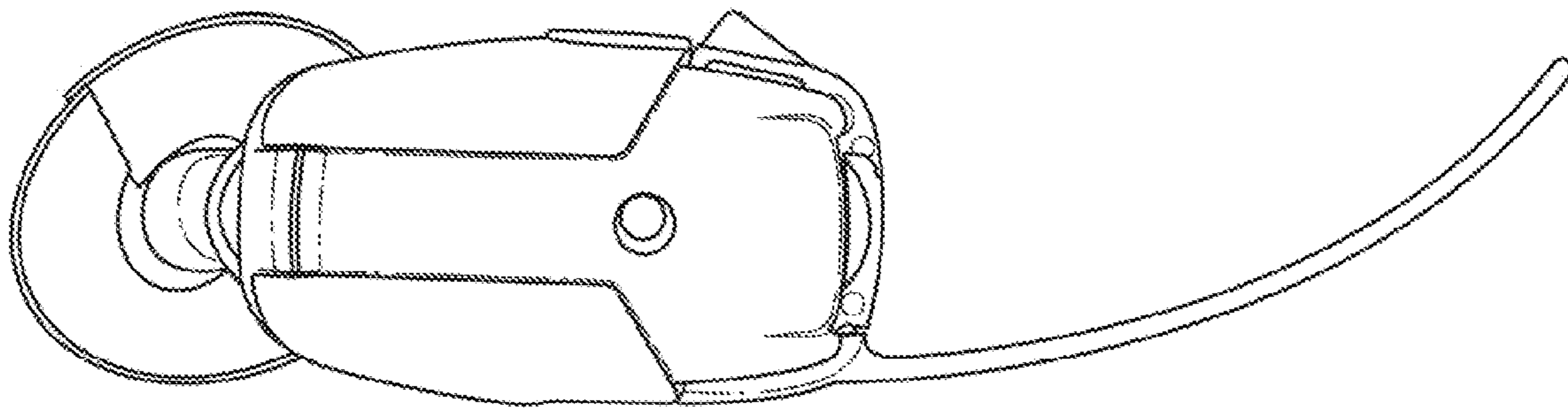


FIG. 14

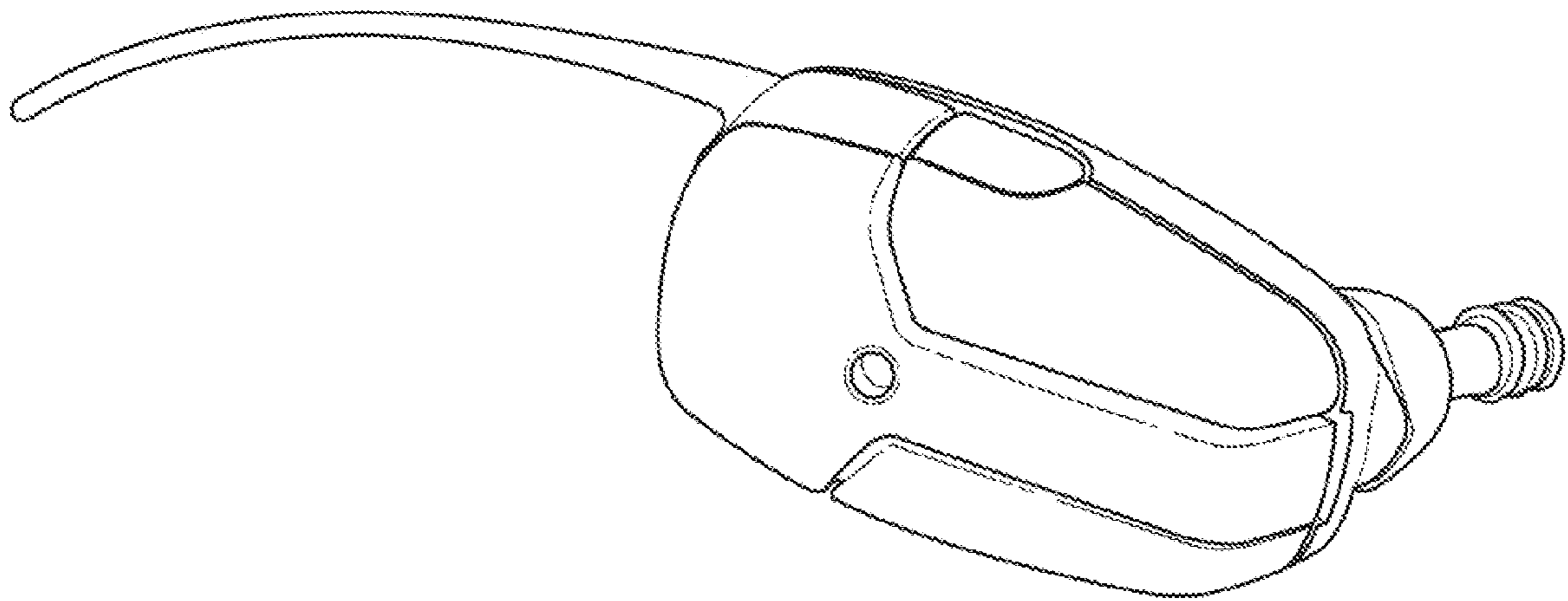


FIG. 15

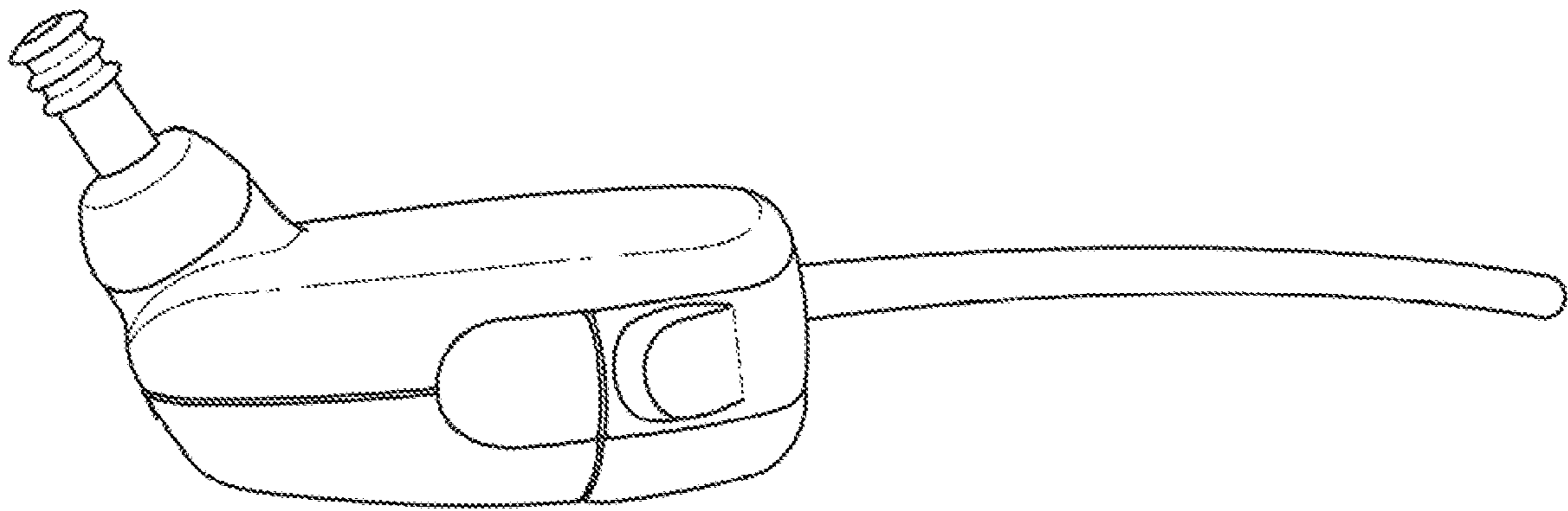


FIG. 16

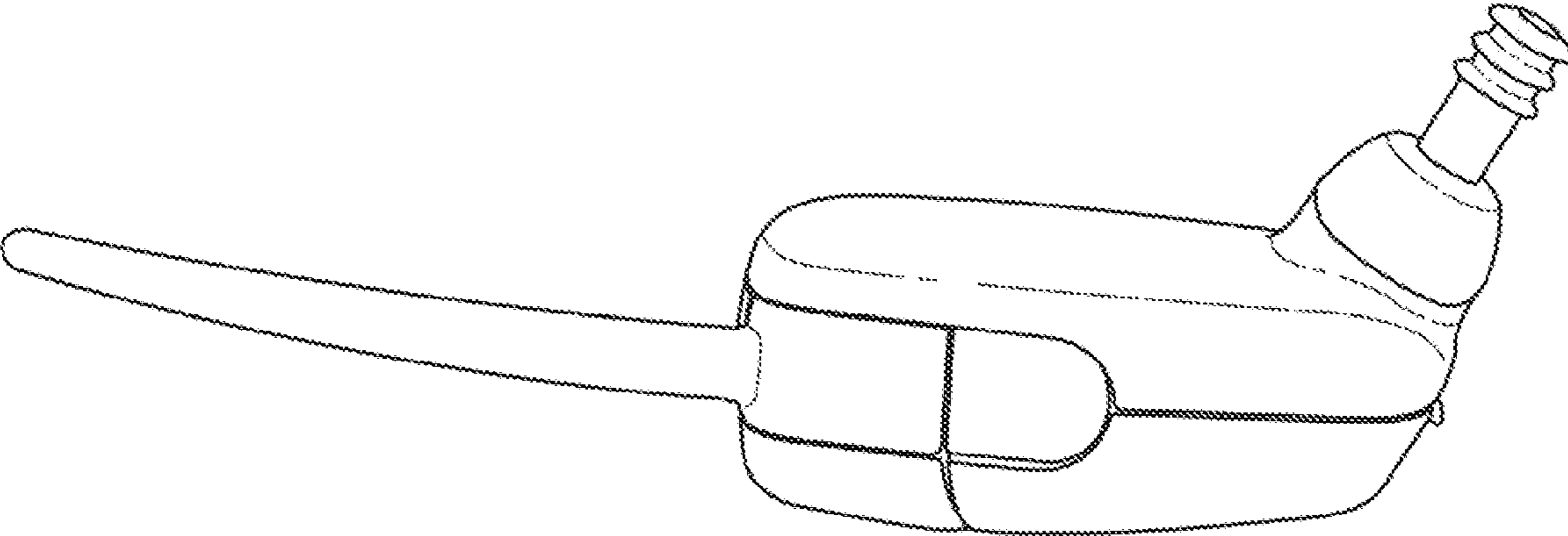


FIG. 17

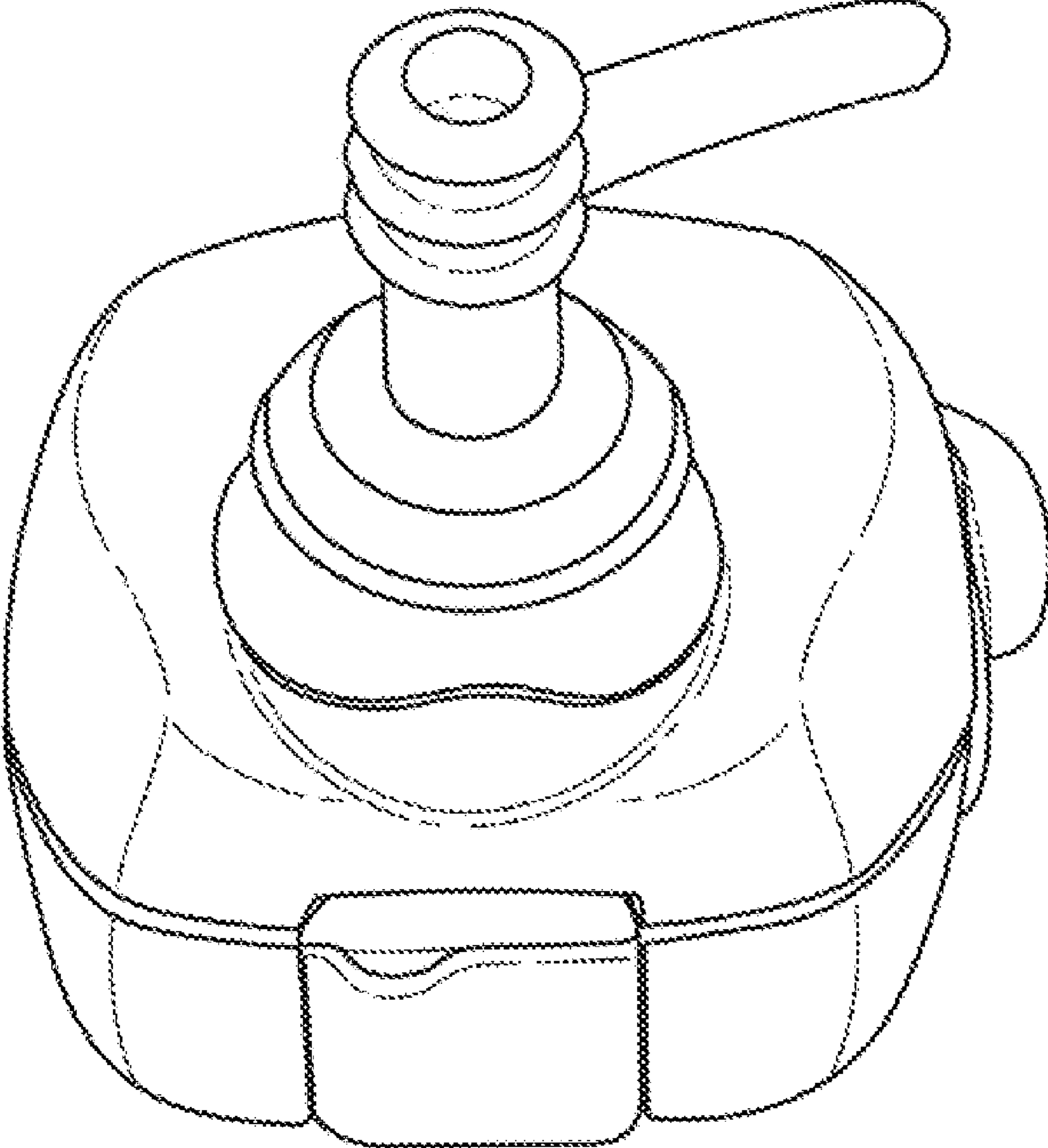


FIG. 18

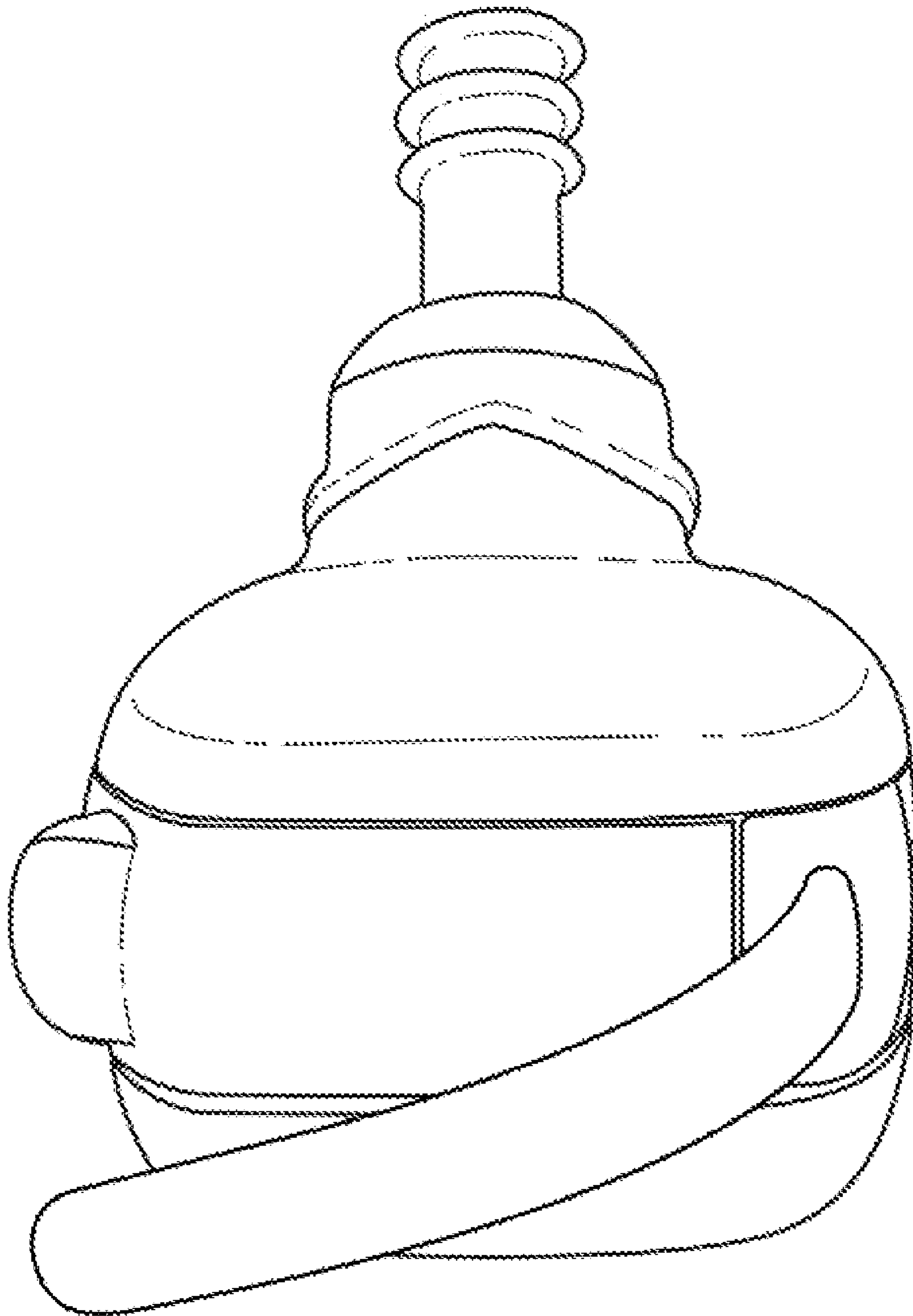


FIG. 19

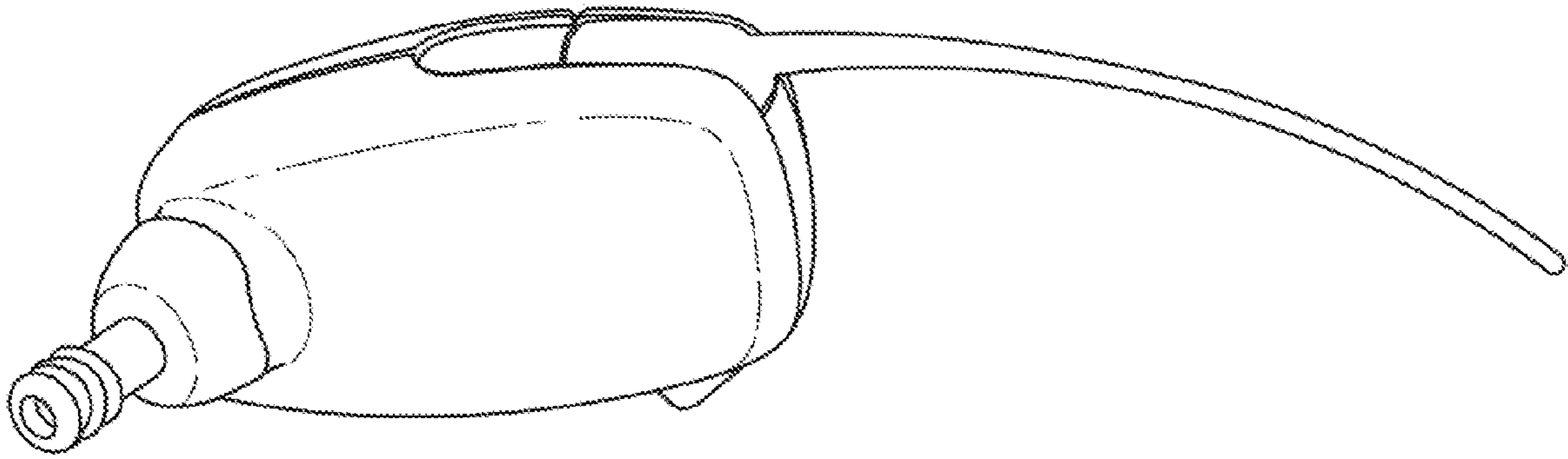


FIG. 20

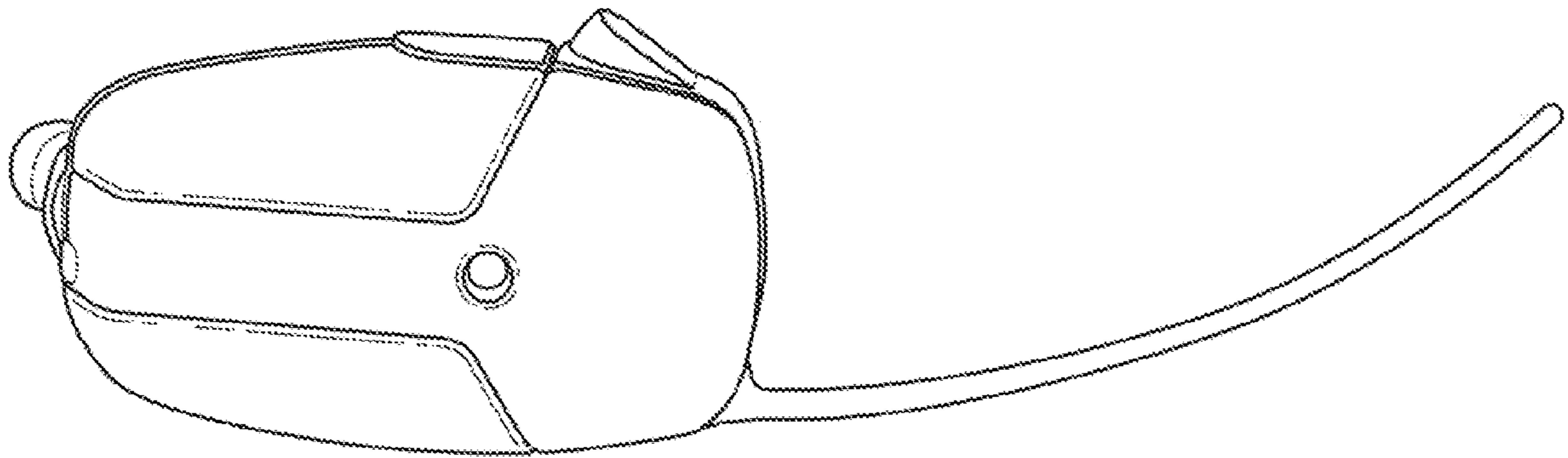


FIG. 21

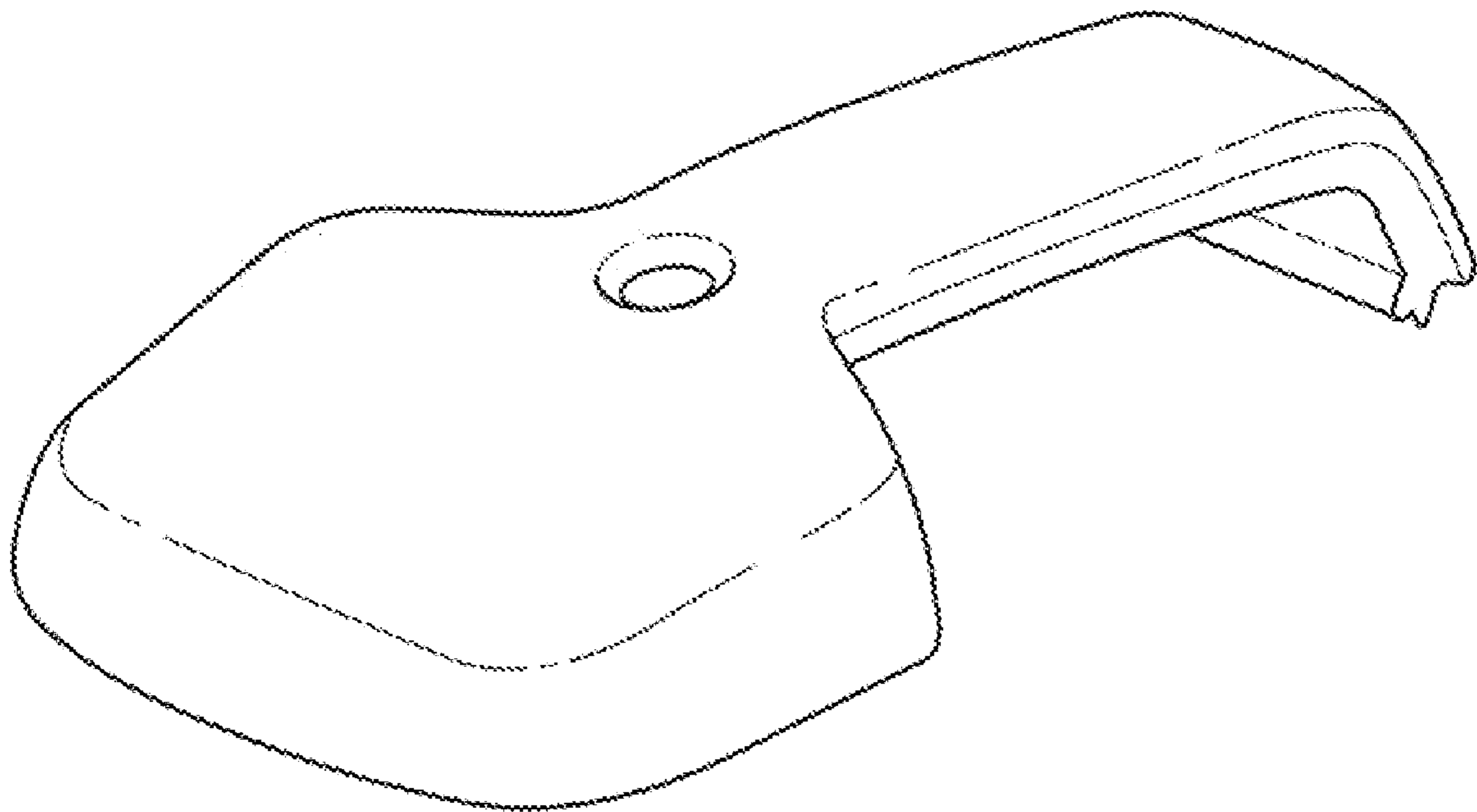


FIG. 22

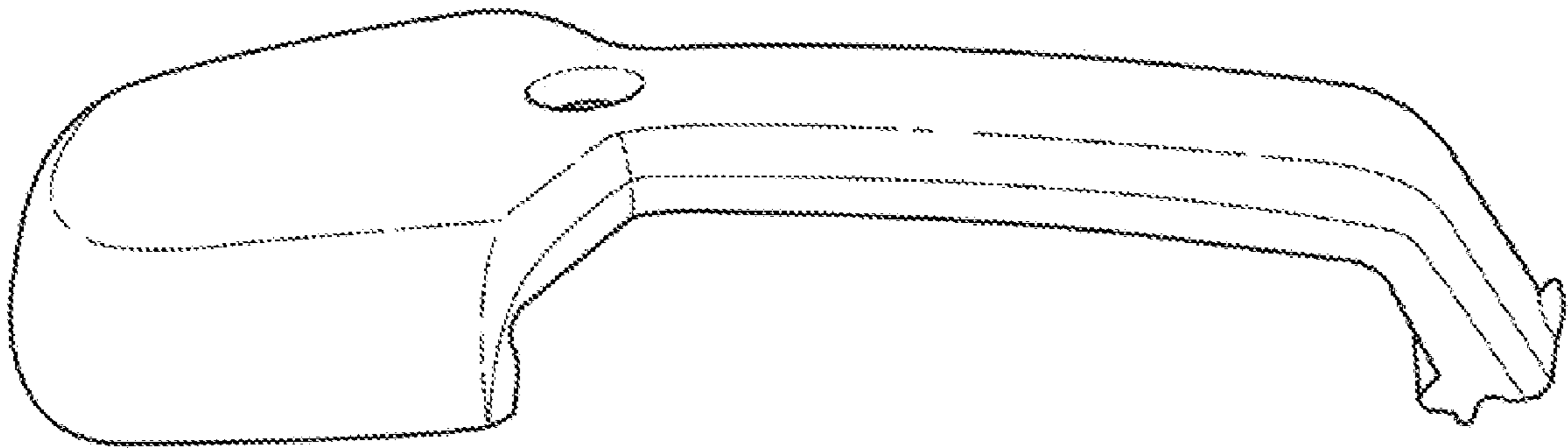


FIG. 23

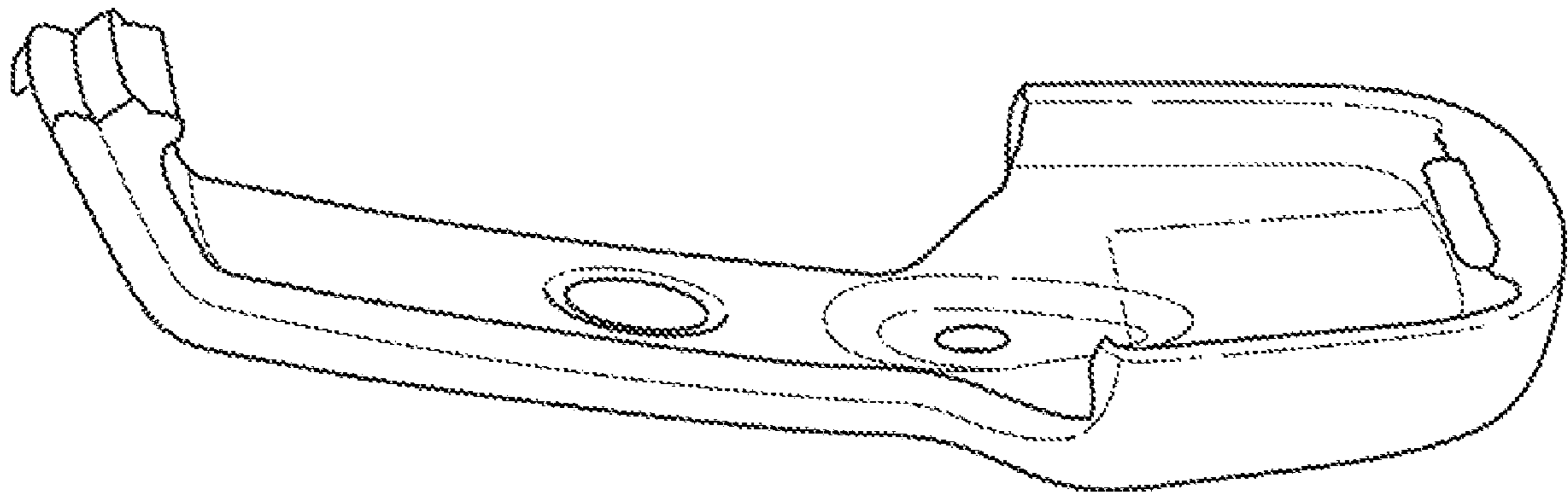


FIG. 24

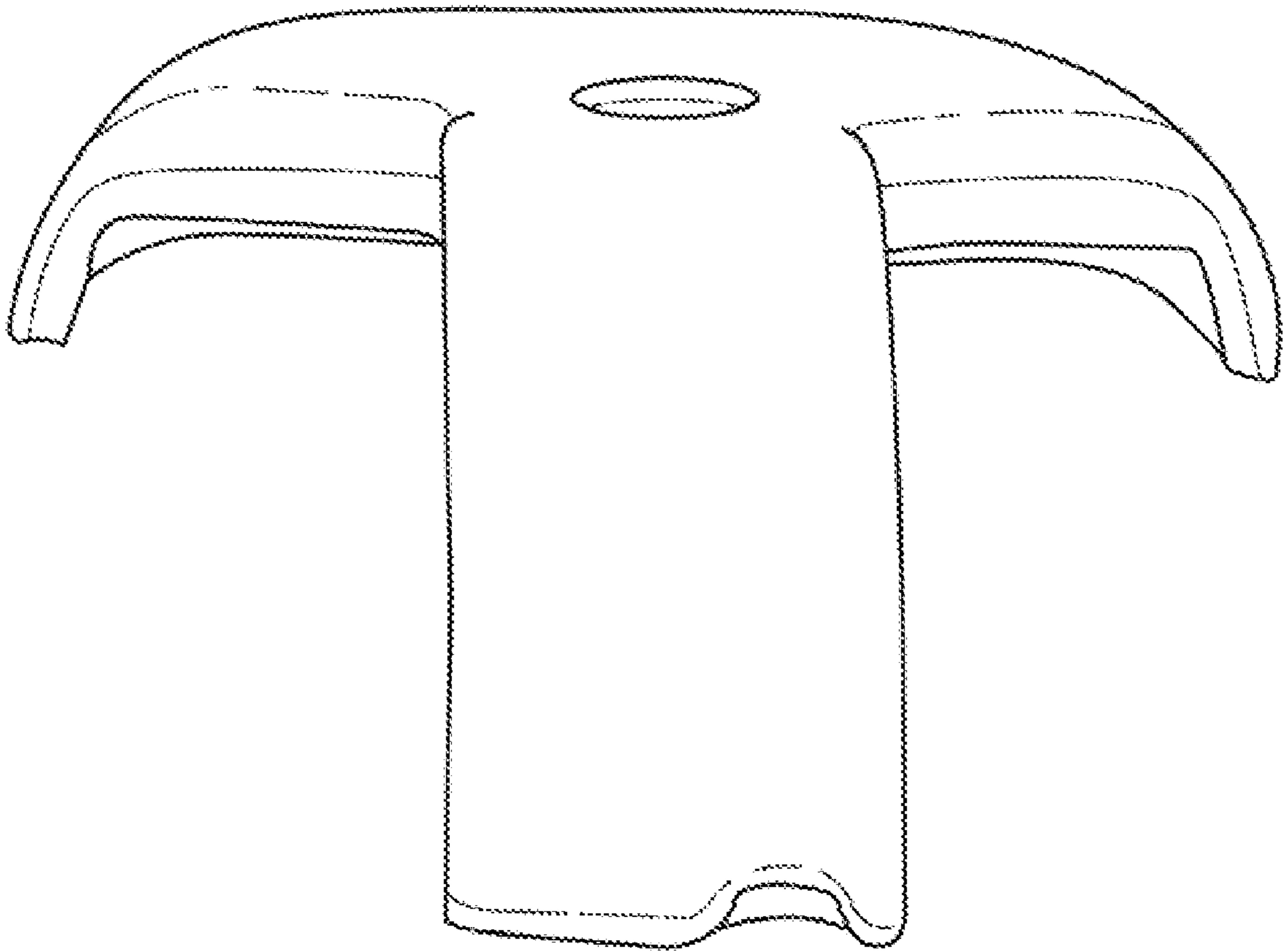


FIG. 25

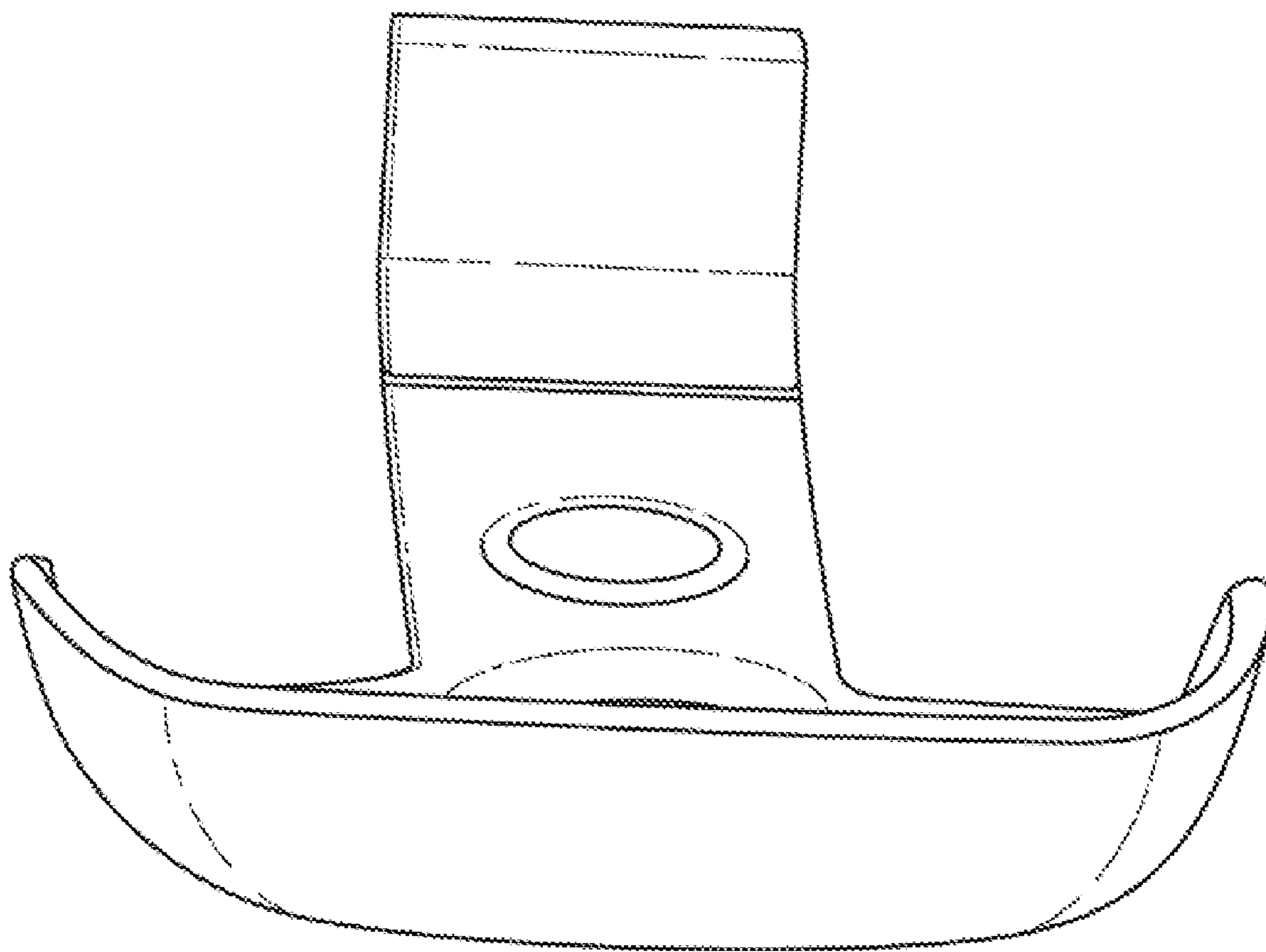


FIG. 26

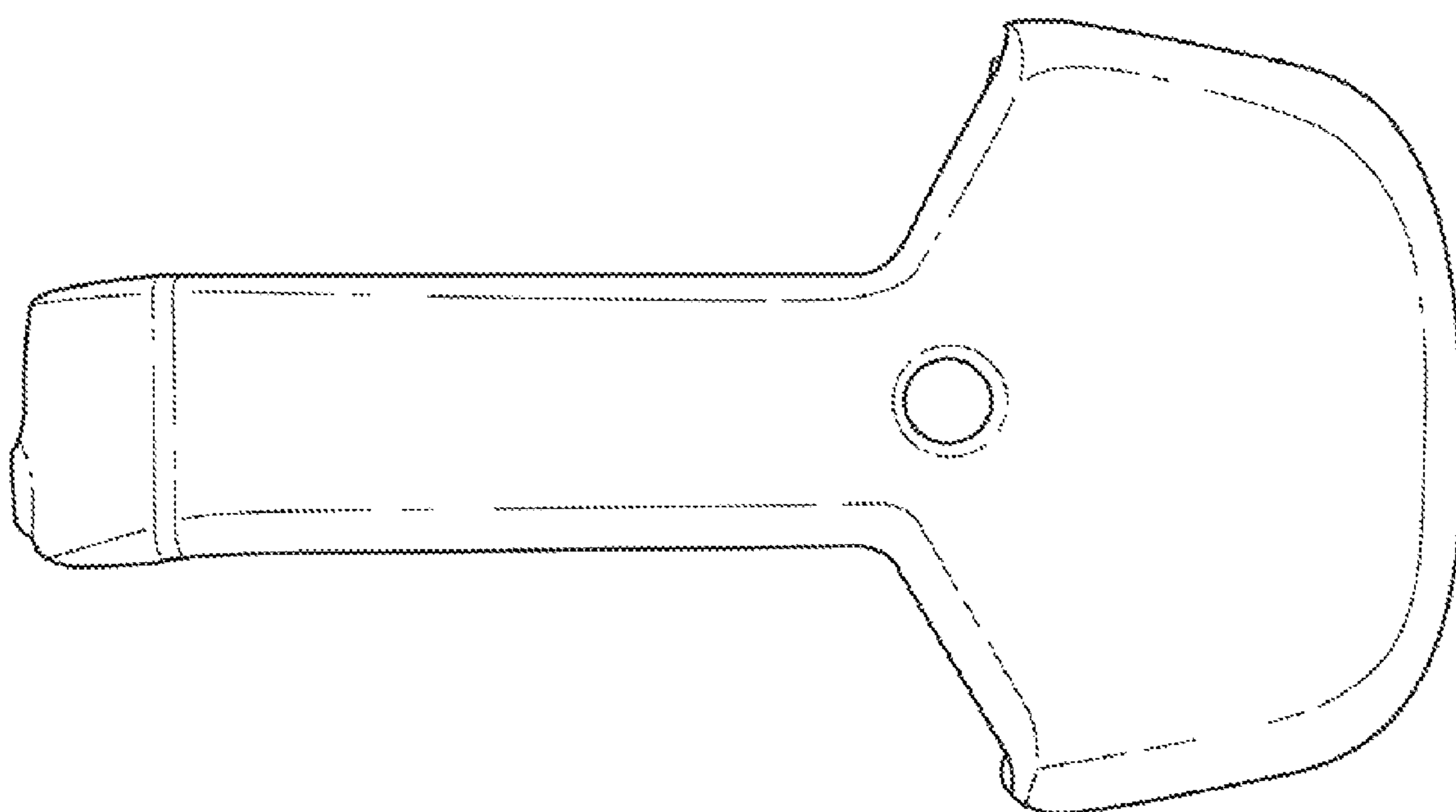


FIG. 27

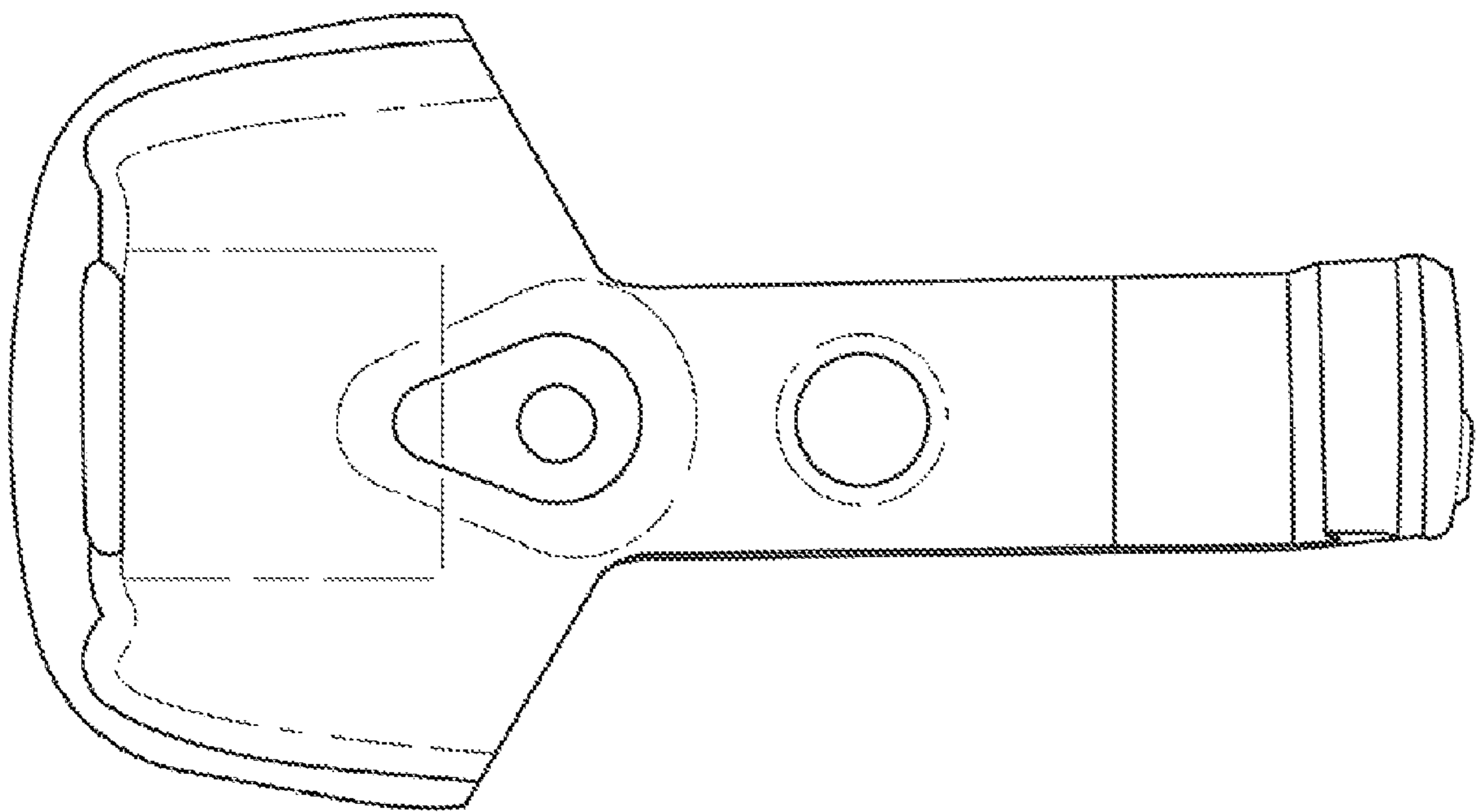


FIG. 28

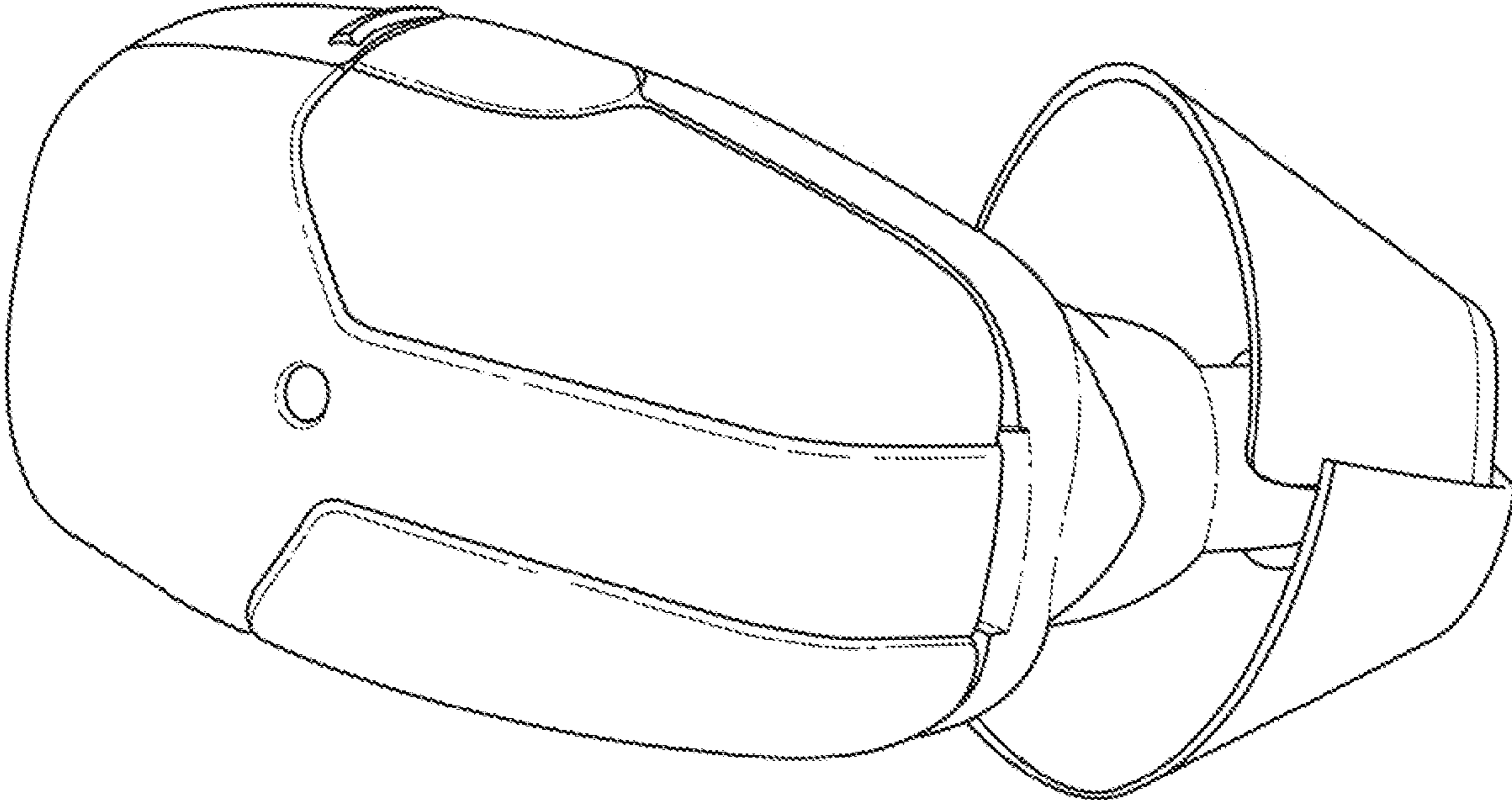


FIG. 29

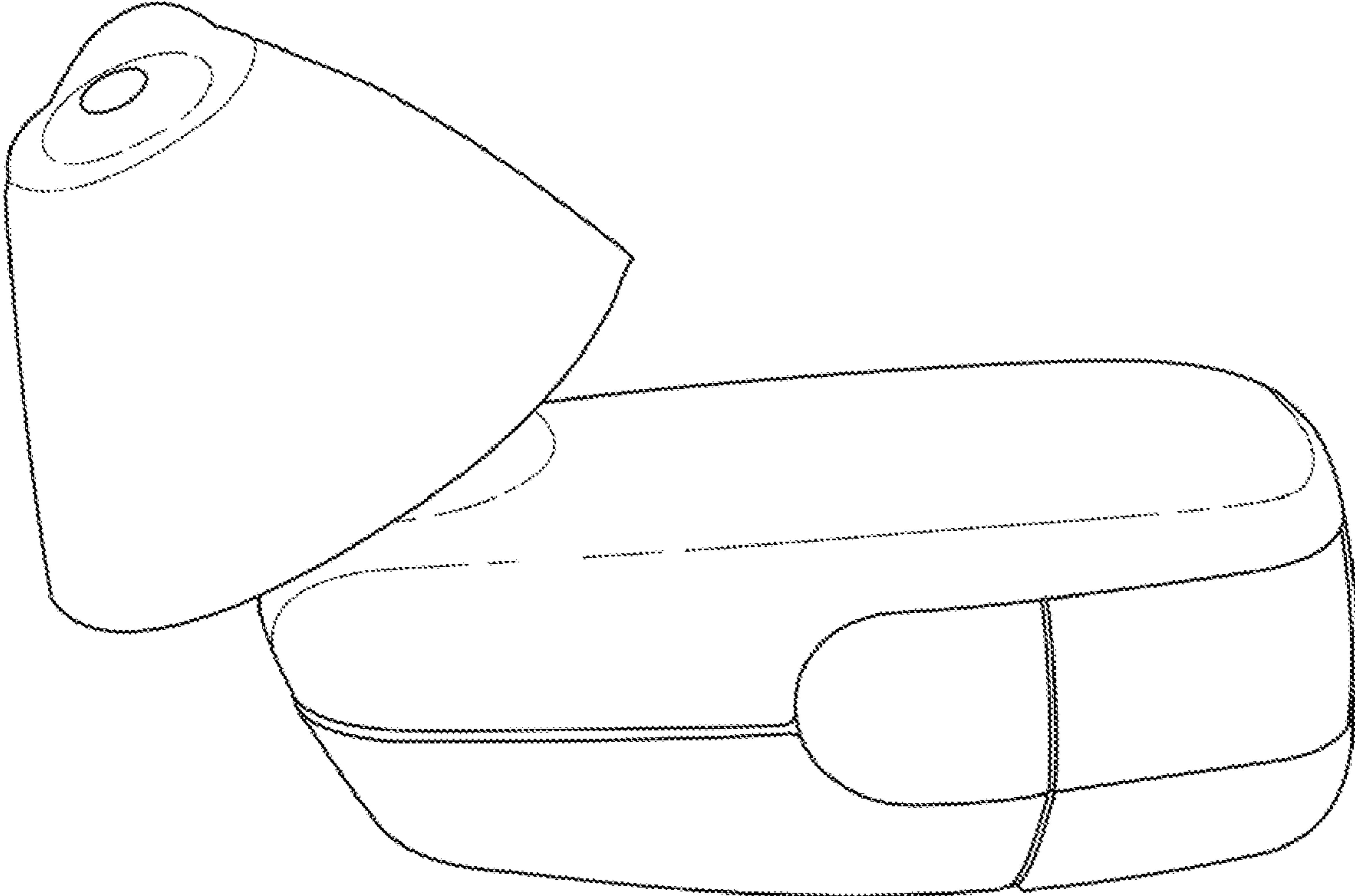


FIG. 30

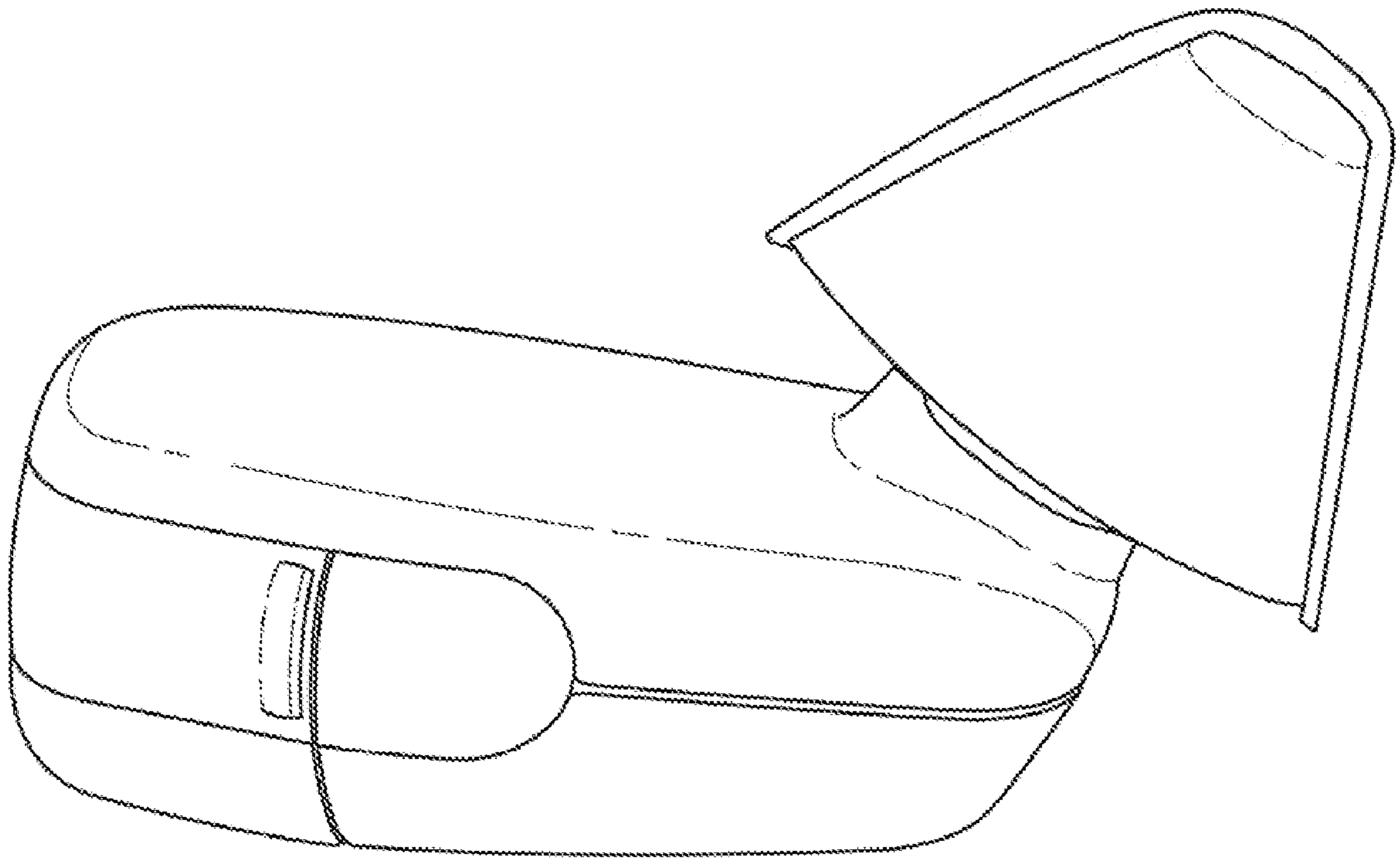


FIG. 31

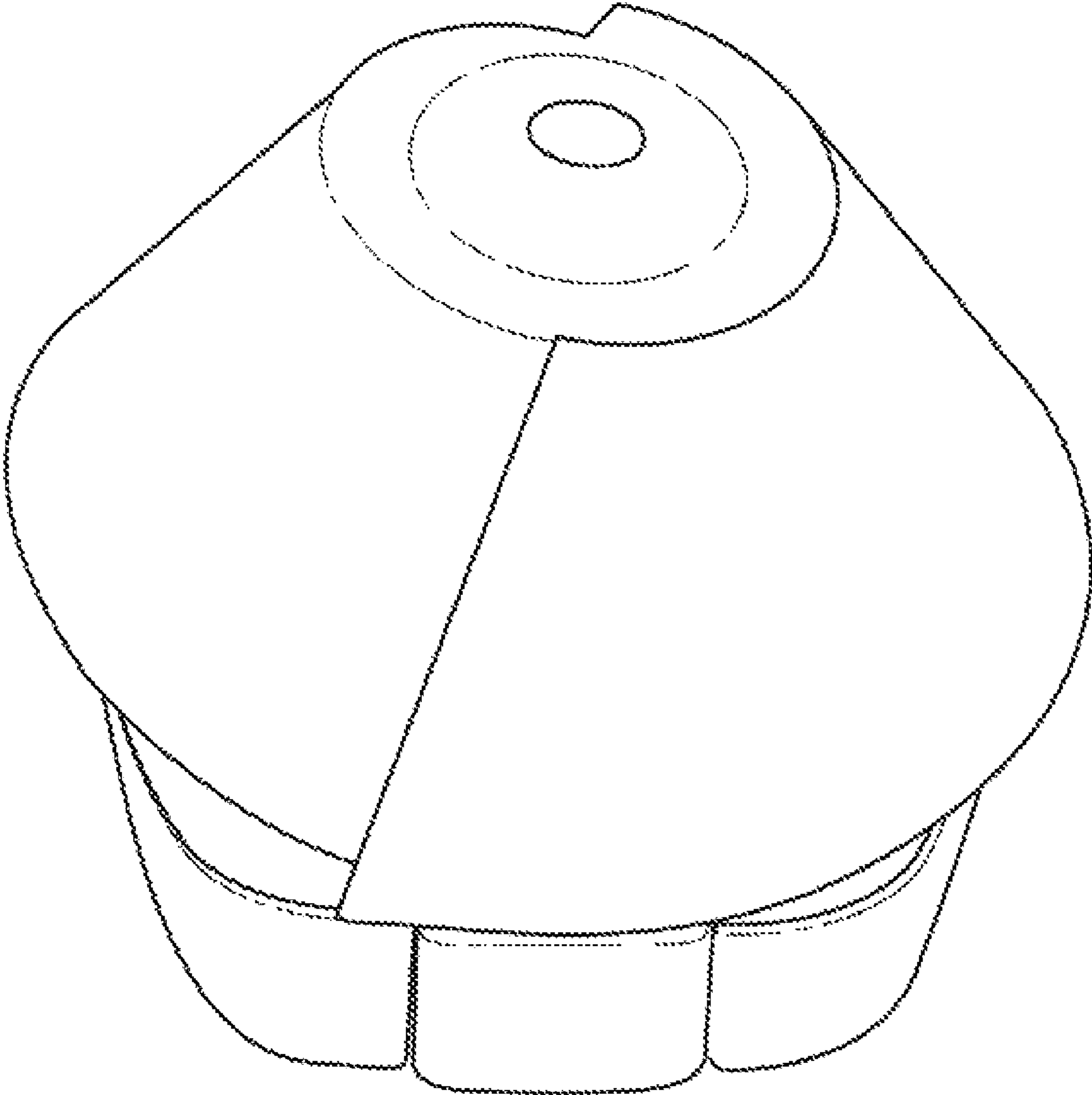


FIG. 32

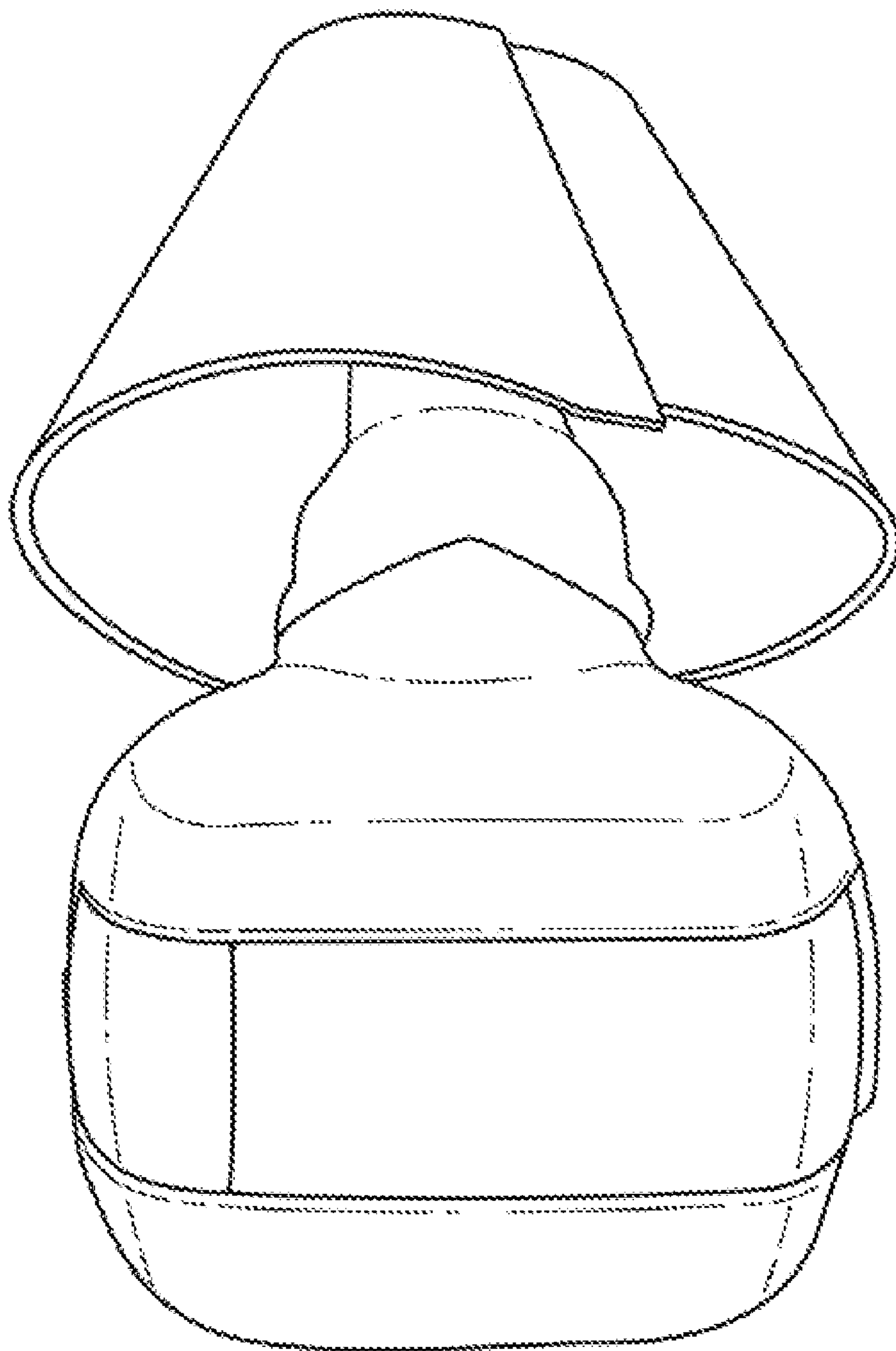


FIG. 33

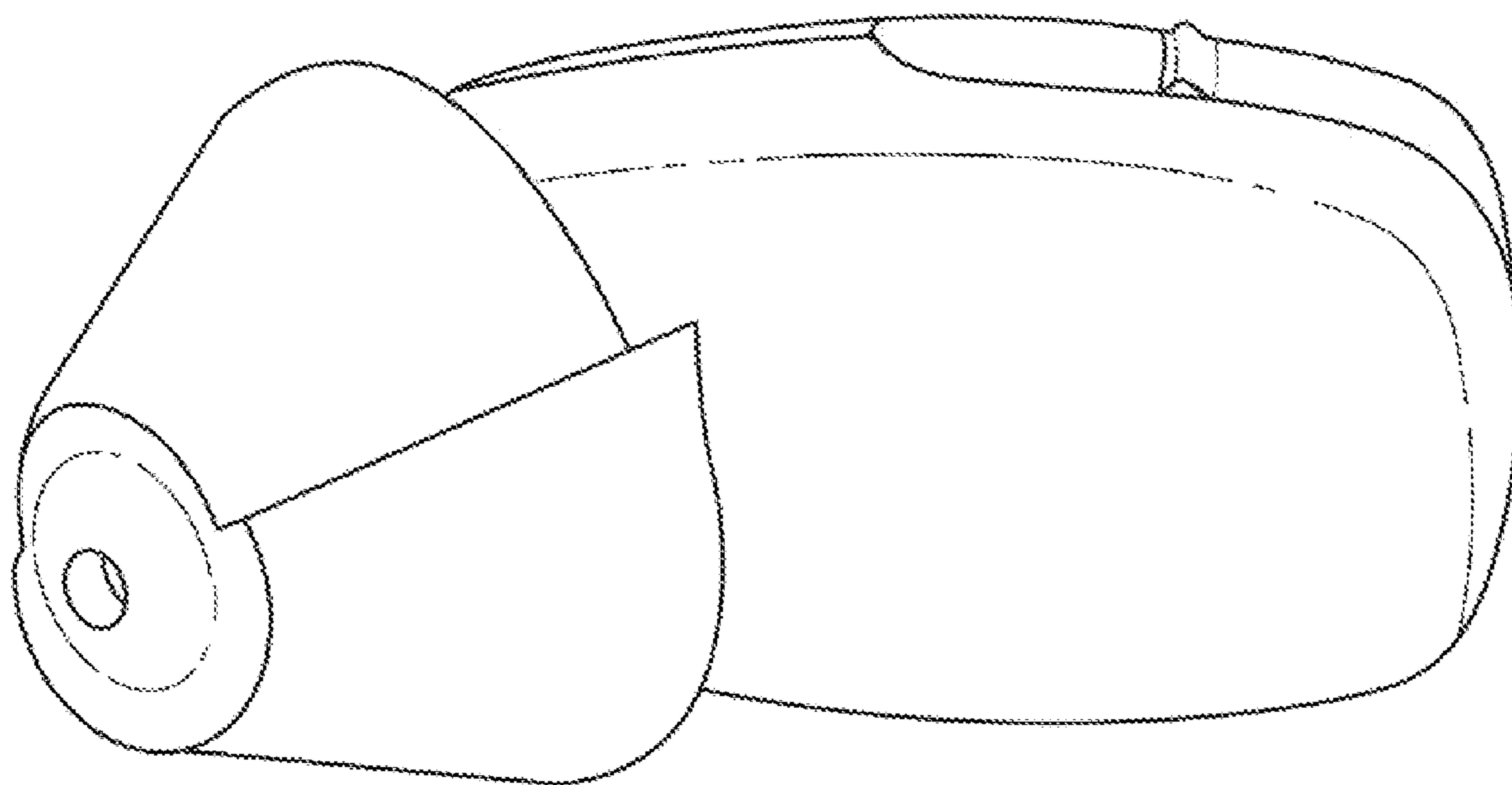


FIG. 34

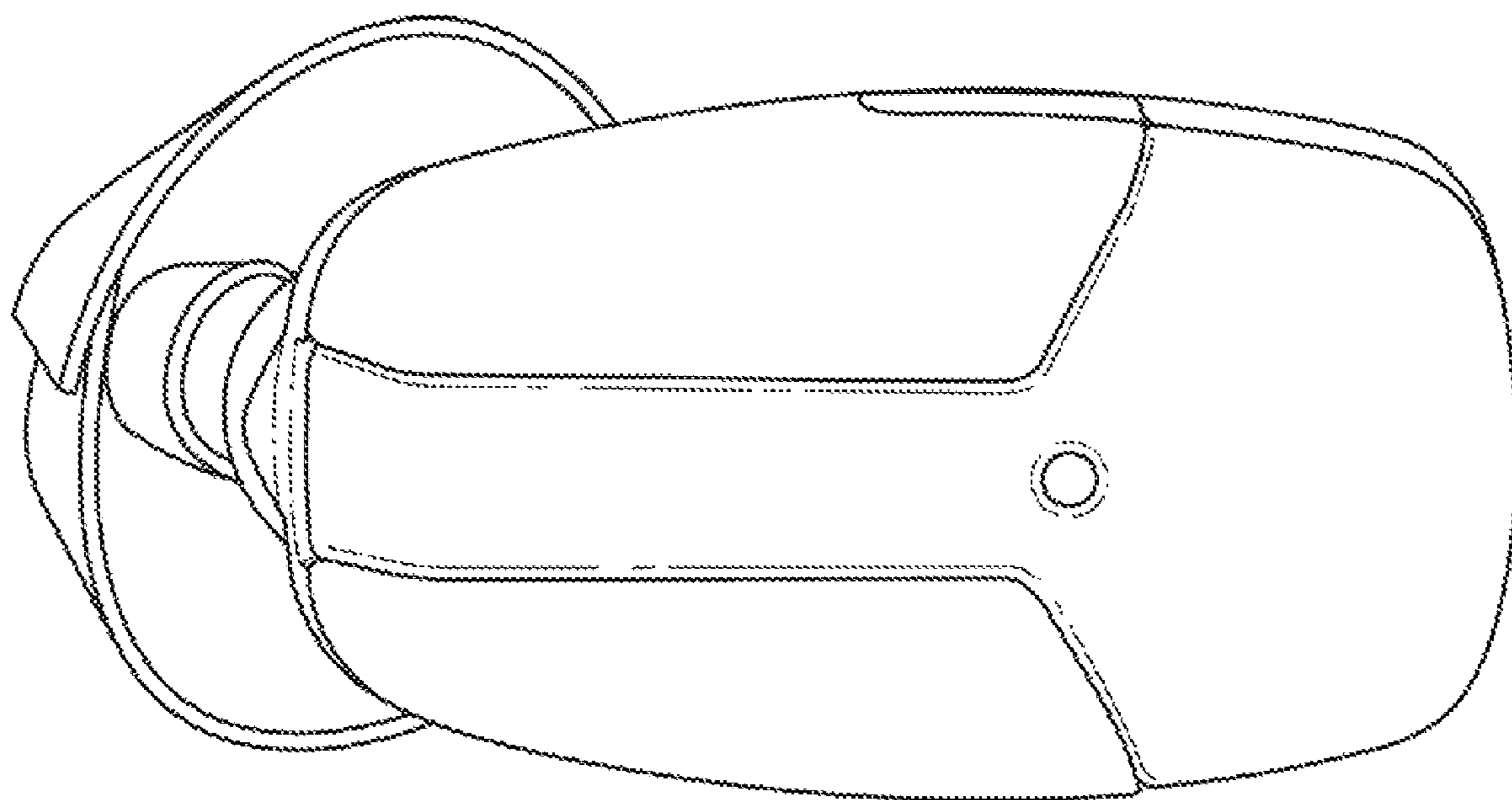


FIG. 35