



US00D622853S

(12) **United States Design Patent**  
**Raven, III**

(10) **Patent No.:** **US D622,853 S**

(45) **Date of Patent:** **\*\* Aug. 31, 2010**

(54) **HAND BONE FRACTURE FIXATION PLATE**

(75) Inventor: **Raymond B. Raven, III**, Glendale, CA (US)

(73) Assignee: **OsteoMed L.P.**, Addison, TX (US)

(\*\*) Term: **14 Years**

(21) Appl. No.: **29/332,073**

(22) Filed: **Feb. 6, 2009**

(51) **LOC (9) Cl.** ..... **24-03**

(52) **U.S. Cl.** ..... **D24/155**

(58) **Field of Classification Search** ..... D24/155-157;  
606/24, 26, 247, 248, 249, 258, 267, 280,  
606/282, 283, 292, 905, 906, 17.16, 17.13,  
606/70; 623/1.13-1.23; 604/1.02, 103.02  
See application file for complete search history.

(56) **References Cited**

U.S. PATENT DOCUMENTS

4,867,144	A *	9/1989	Karas et al.	606/280
5,209,751	A *	5/1993	Farris et al.	606/292
5,304,180	A *	4/1994	Slocum	606/282
6,096,040	A *	8/2000	Esser	606/280
D458,374	S *	6/2002	Bryant et al.	D24/155
D458,683	S *	6/2002	Bryant et al.	D24/155
D458,684	S *	6/2002	Bryant et al.	D24/155
D458,996	S *	6/2002	Bryant et al.	D24/155
D463,557	S *	9/2002	Bryant et al.	D24/155
D463,558	S *	9/2002	Bryant et al.	D24/155

D463,559	S *	9/2002	Bryant et al.	D24/155
D469,874	S *	2/2003	Bryant et al.	D24/155
D479,331	S *	9/2003	Pike et al.	D24/155
D480,141	S *	9/2003	Benirschke et al.	D24/155
D594,123	S *	6/2009	Haidukewych et al.	D24/155
D594,124	S *	6/2009	Huebner et al.	D24/155
7,695,472	B2 *	4/2010	Young	606/70

\* cited by examiner

*Primary Examiner*—Charles A Rademaker

(74) *Attorney, Agent, or Firm*—Fulbright & Jaworski L.L.P.

(57) **CLAIM**

The ornamental design for a hand bone fracture fixation plate, as shown and described.

**DESCRIPTION**

FIG. 1 is a top plan view of a hand bone fracture fixation plate showing my new design;

FIG. 2 is a left side elevation thereof, the side opposite being a mirror image;

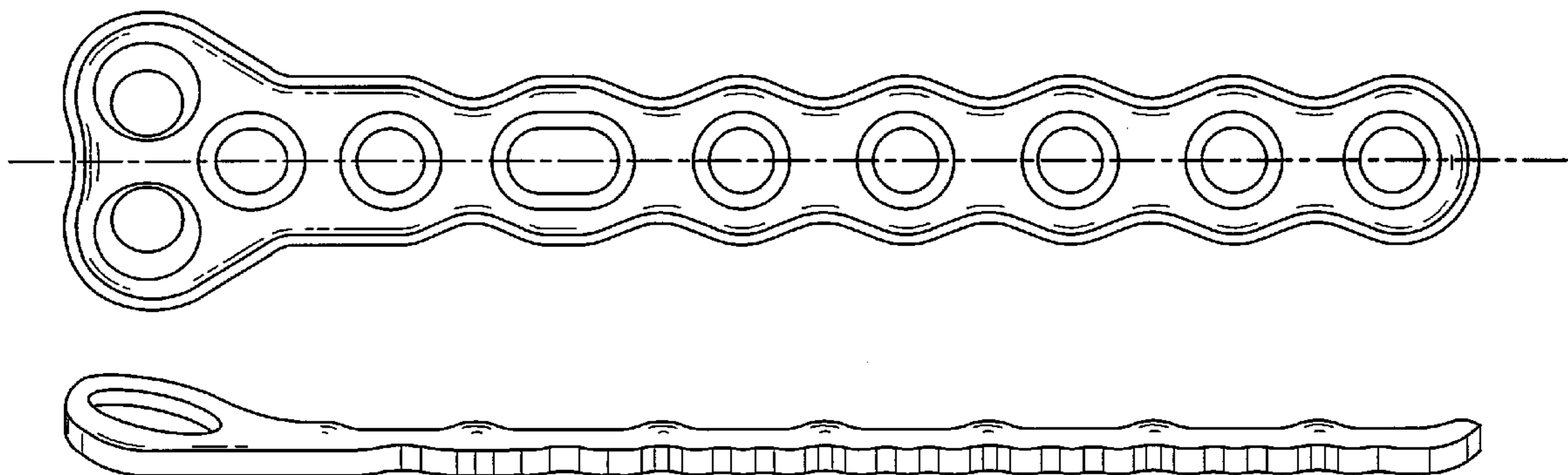
FIG. 3 is a bottom plan view thereof;

FIG. 4 is a front elevation thereof; and,

FIG. 5 is a rear elevation thereof.

Applicant specifically disclaims any interior surface ornamentation, such as but not limited to apertures, and any other features apart from the primary outer surface of the hand bone fracture fixation plate, all of which form no part of the claimed design.

**1 Claim, 2 Drawing Sheets**



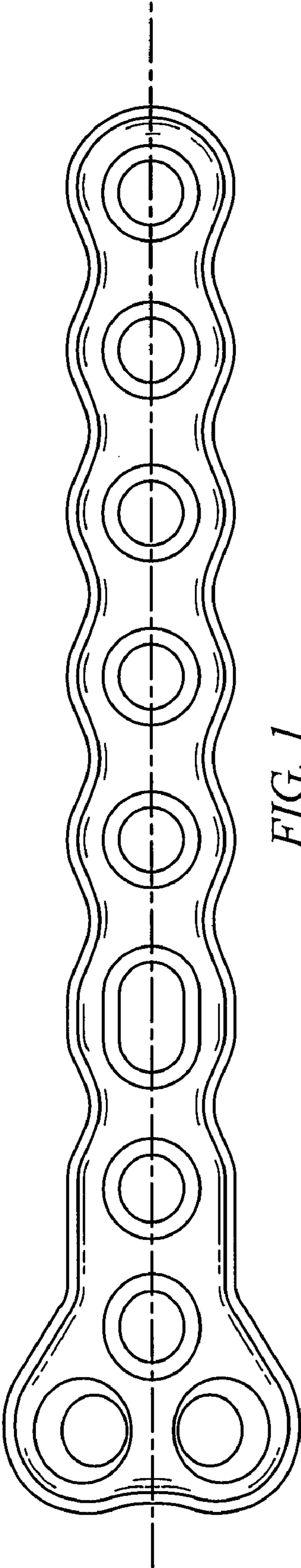


FIG. 1

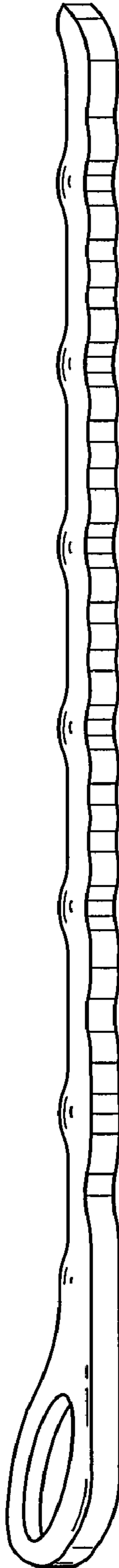


FIG. 2

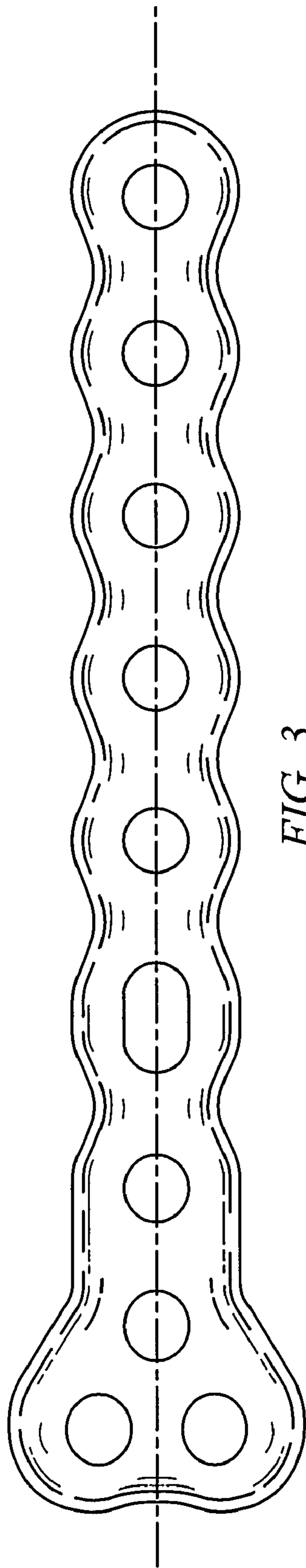


FIG. 3

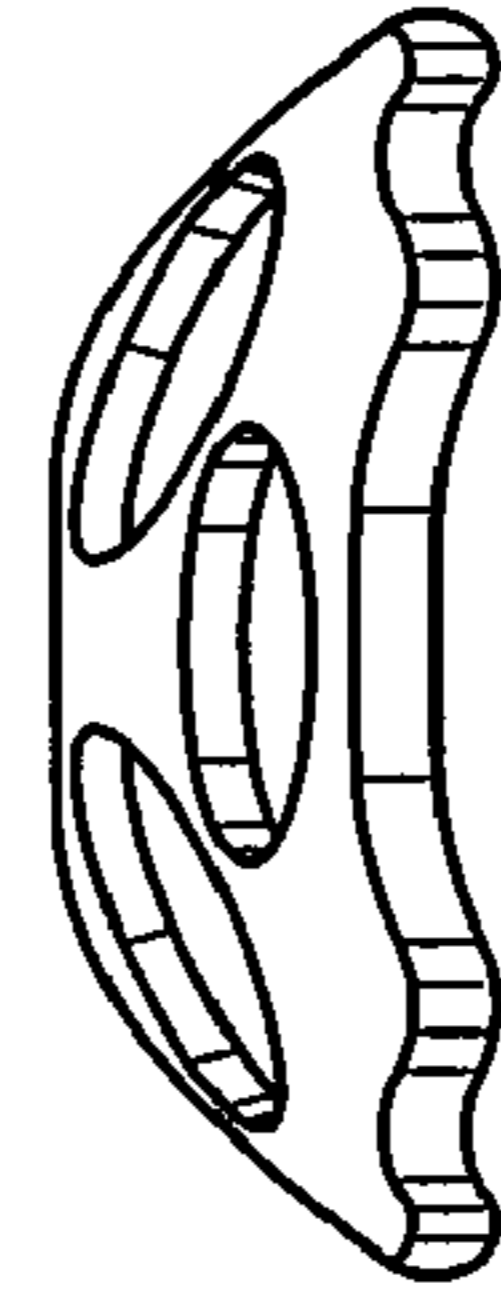


FIG. 5

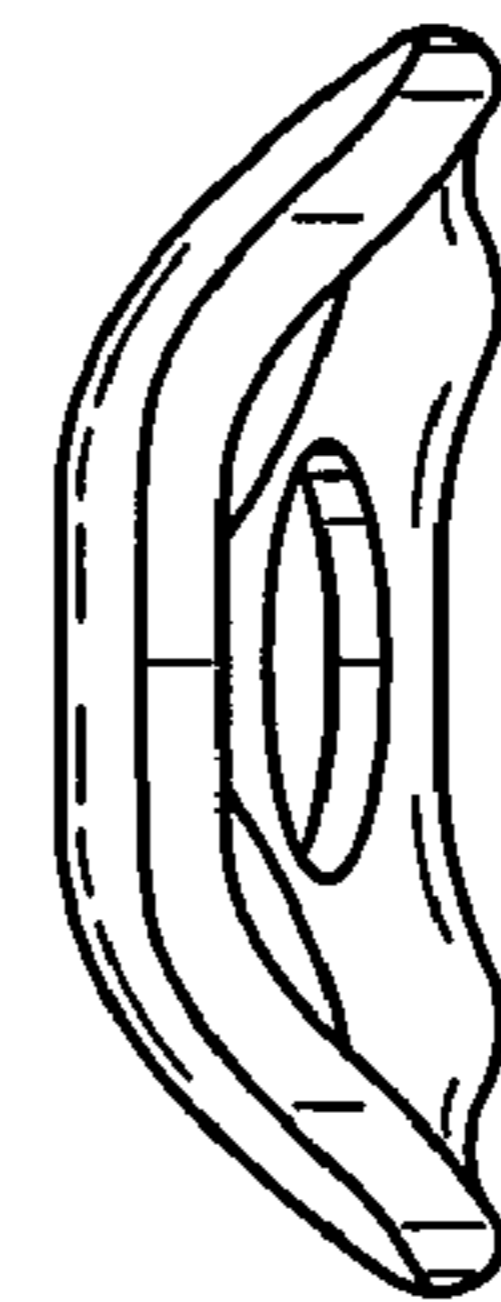


FIG. 4