



US00D622852S

(12) **United States Design Patent**
Berberich

(10) **Patent No.:** **US D622,852 S**

(45) **Date of Patent:** **** Aug. 31, 2010**

(54) **SHAVER HANDPIECE**

(75) Inventor: **Sascha Berberich**, Tuttlingen (DE)

(73) Assignee: **Karl Storz GmbH & Co. KG** (DE)

(**) Term: **14 Years**

(21) Appl. No.: **29/353,816**

(22) Filed: **Jan. 14, 2010**

(30) **Foreign Application Priority Data**

Jul. 14, 2009 (EM) 001581810-0008
Jul. 14, 2009 (EM) 001581810-0009

(51) **LOC (9) Cl.** **24-02**

(52) **U.S. Cl.** **D24/147; D28/50; D28/58**

(58) **Field of Classification Search** D24/146,
D24/147, 145, 133; D15/138, 139; 606/79,
606/80, 96, 170, 181; D28/50, 52, 56
See application file for complete search history.

(56) **References Cited**

U.S. PATENT DOCUMENTS

D225,788 S * 1/1973 Rohrbach D28/50
D266,607 S * 10/1982 Choe D28/58
D305,162 S * 12/1989 Mockovak D28/53
D318,118 S * 7/1991 Michelson D24/147
D319,711 S * 9/1991 Fujisawa D28/50
D440,310 S * 4/2001 Laks et al. D24/133
6,312,441 B1 * 11/2001 Deng 606/170
D547,864 S * 7/2007 Rau et al. D24/133
D553,295 S * 10/2007 Khubani D28/53
D598,543 S * 8/2009 Vogel et al. D24/133

2007/0270894 A1* 11/2007 Zimmon 606/170

OTHER PUBLICATIONS

Storz Advertising Literature—Arthroscopy, Sports Medicine, and Spine Surgery Catalogue; 2nd Edition; Jan. 2005;3 pages.

* cited by examiner

Primary Examiner—Charles A Rademaker

Assistant Examiner—Carissa C Fitts

(74) *Attorney, Agent, or Firm*—St. Onge Steward Johnston & Reens LLC

(57) **CLAIM**

The ornamental design for a shaver handpiece, as shown and described.

DESCRIPTION

FIG. 1 is a right side perspective view of a shaver handpiece in accordance with the new design;

FIG. 2 is a right side elevation view thereof;

FIG. 3 is a left side elevation view thereof;

FIG. 4 is a top plan view thereof;

FIG. 5 is a bottom plan view thereof;

FIG. 6 is a rear perspective view thereof;

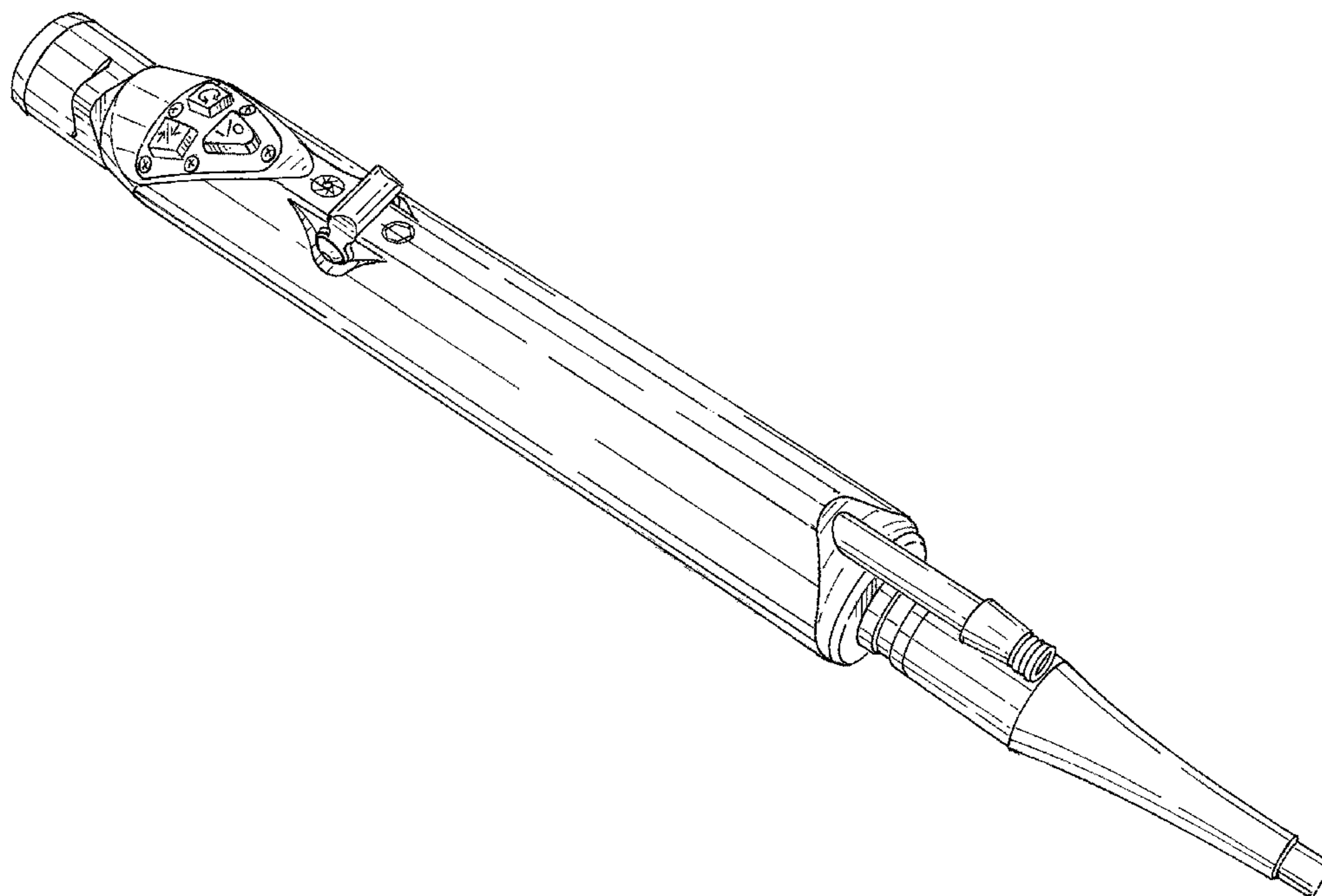
FIG. 7 is a front perspective view thereof;

FIG. 8 is a right side perspective view of a shaver handpiece in accordance with the new design, lined for color red; and,

FIG. 9 is a right side perspective view of a shaver handpiece in accordance with the new design, lined for color blue.

The broken lines shown in FIGS. 1-9 are for illustration purposes only and form no part of the claimed design.

1 Claim, 6 Drawing Sheets



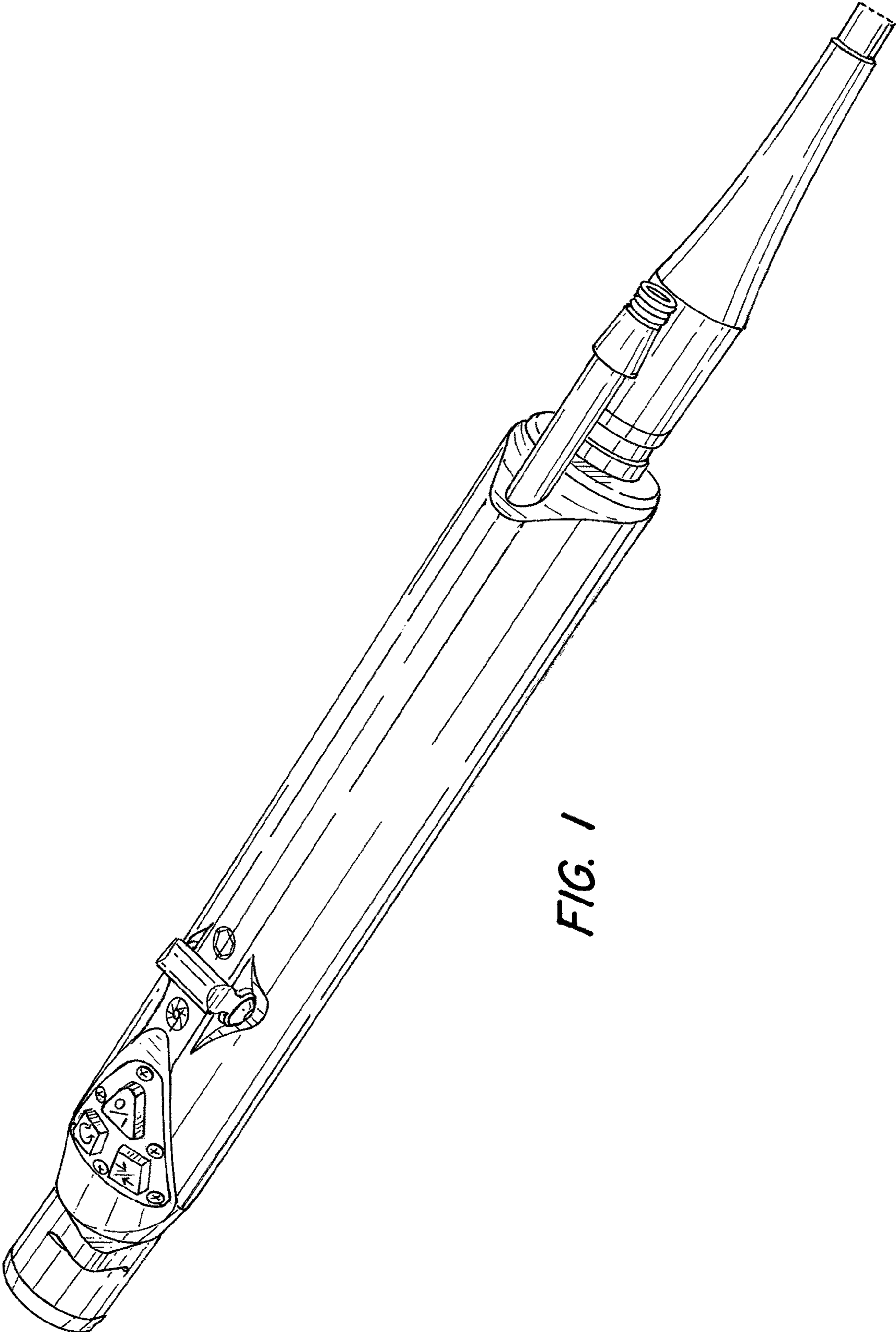


FIG. 1

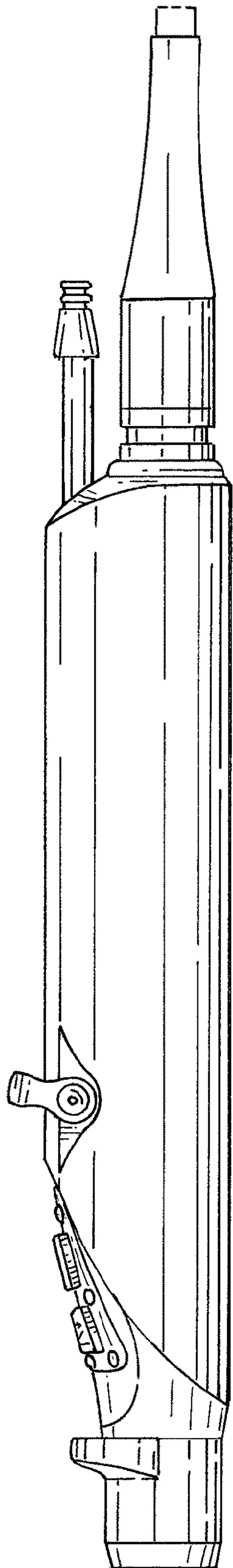


FIG. 2

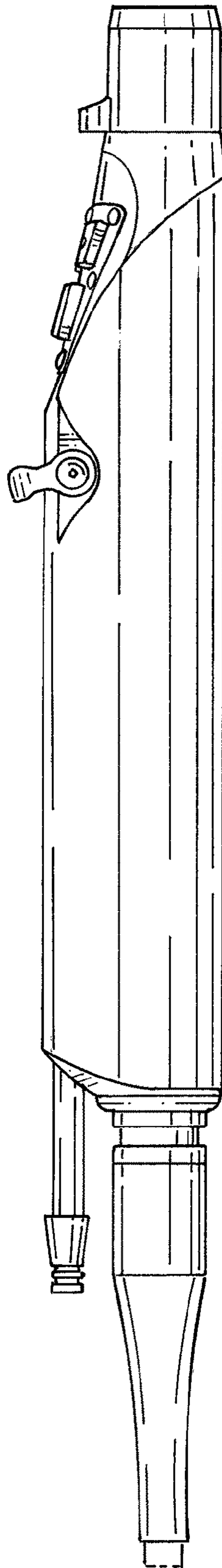


FIG. 3

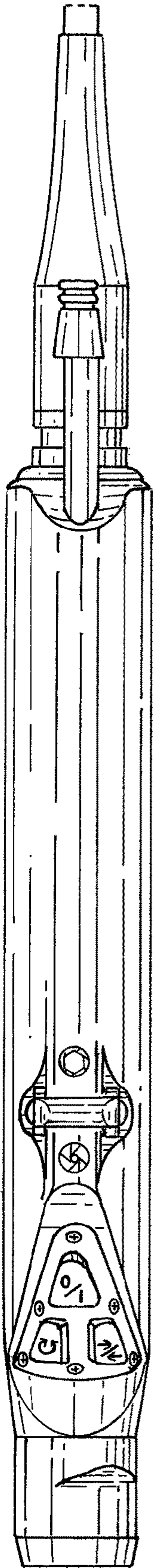


FIG. 4

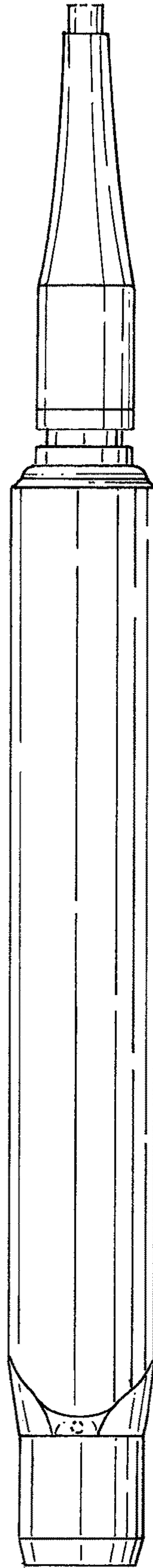


FIG. 5

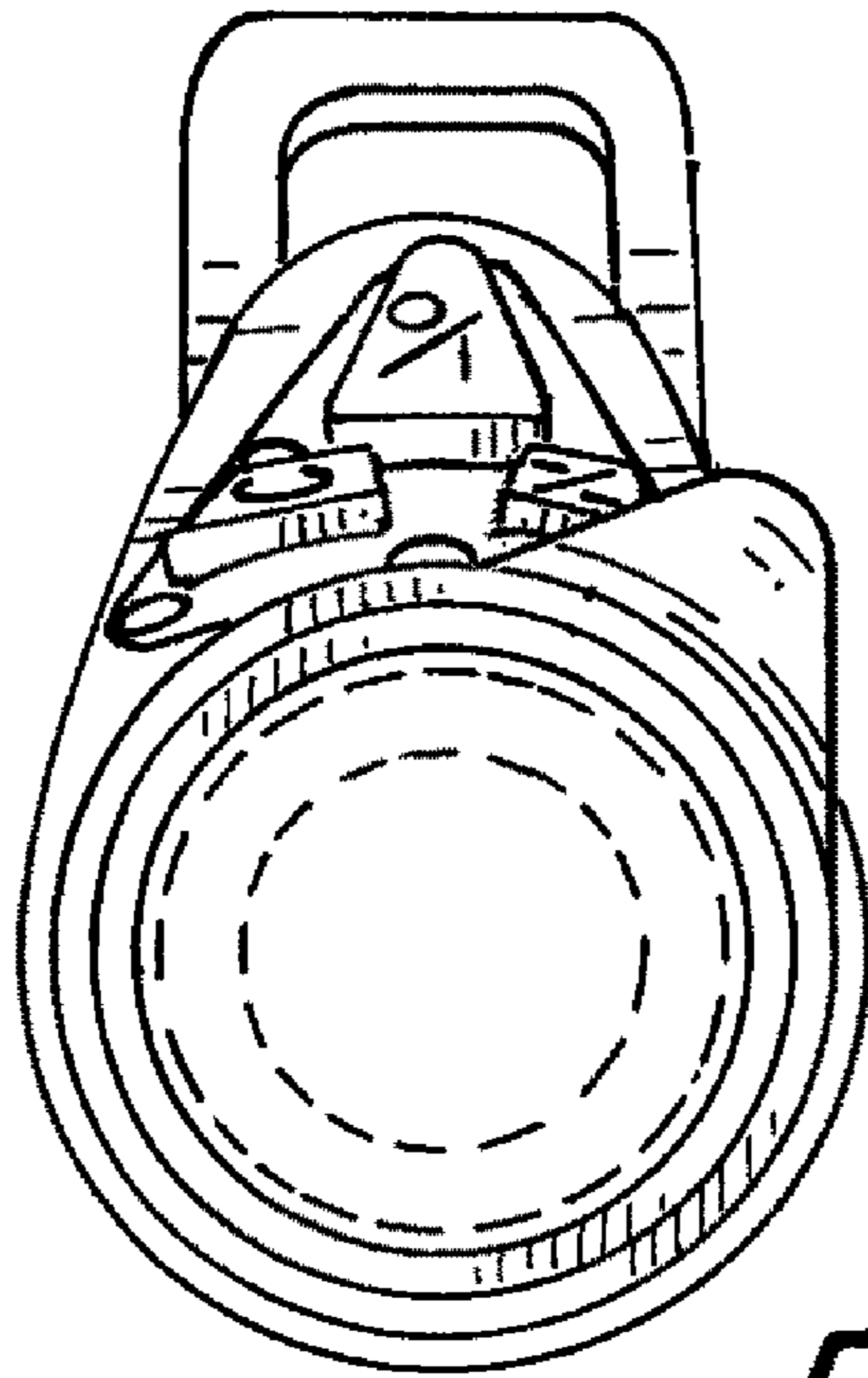


FIG. 6

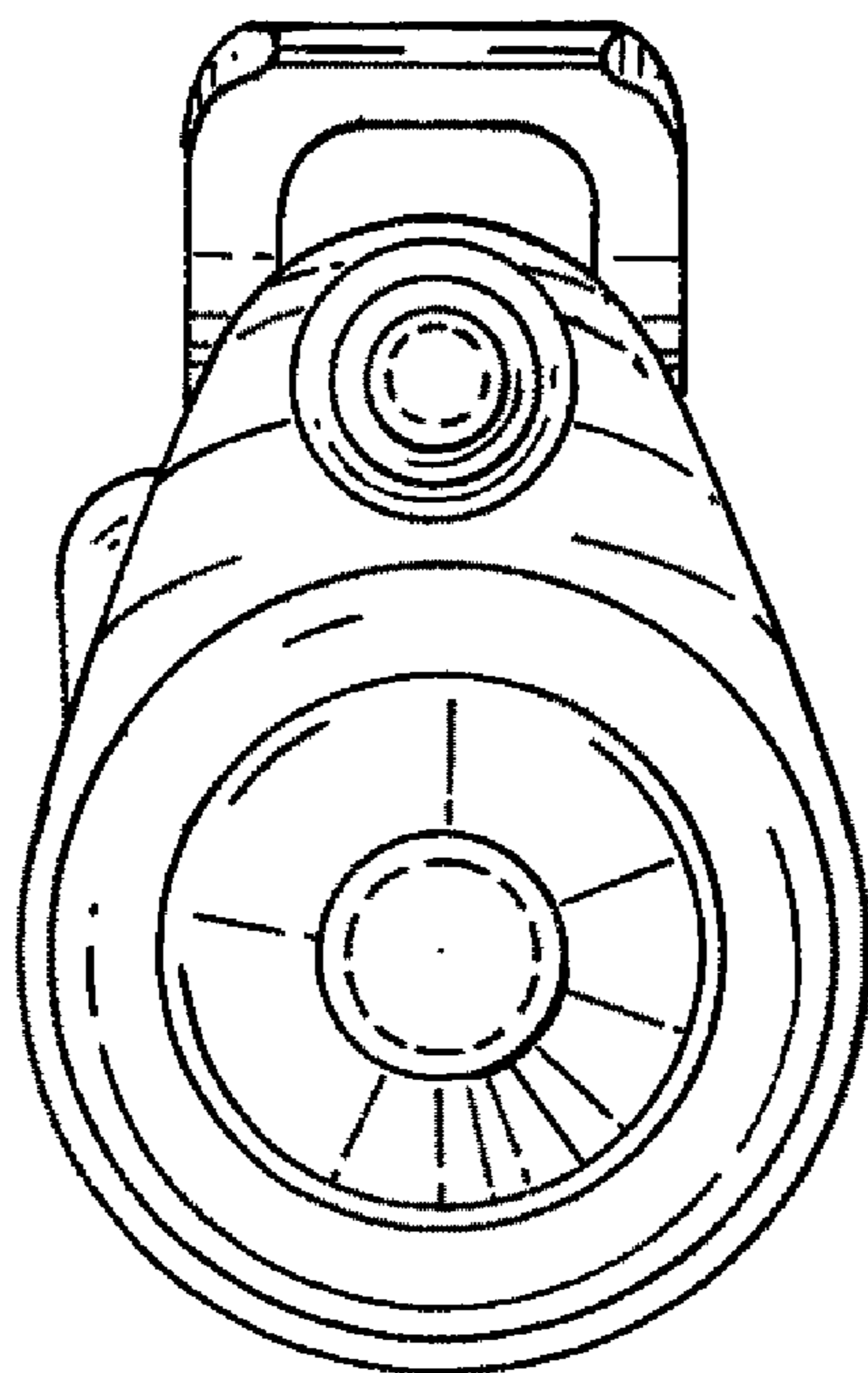


FIG. 7

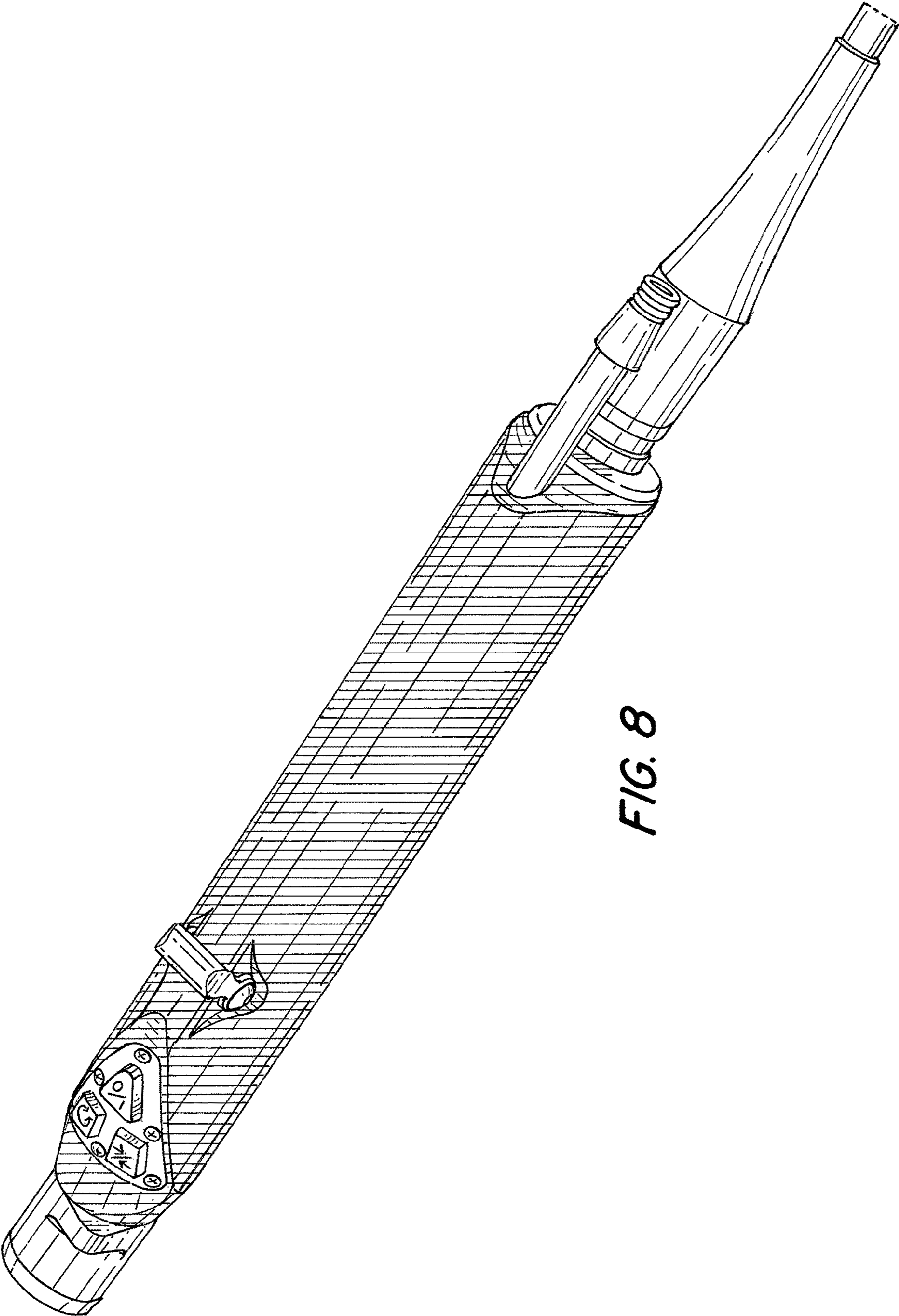


FIG. 8

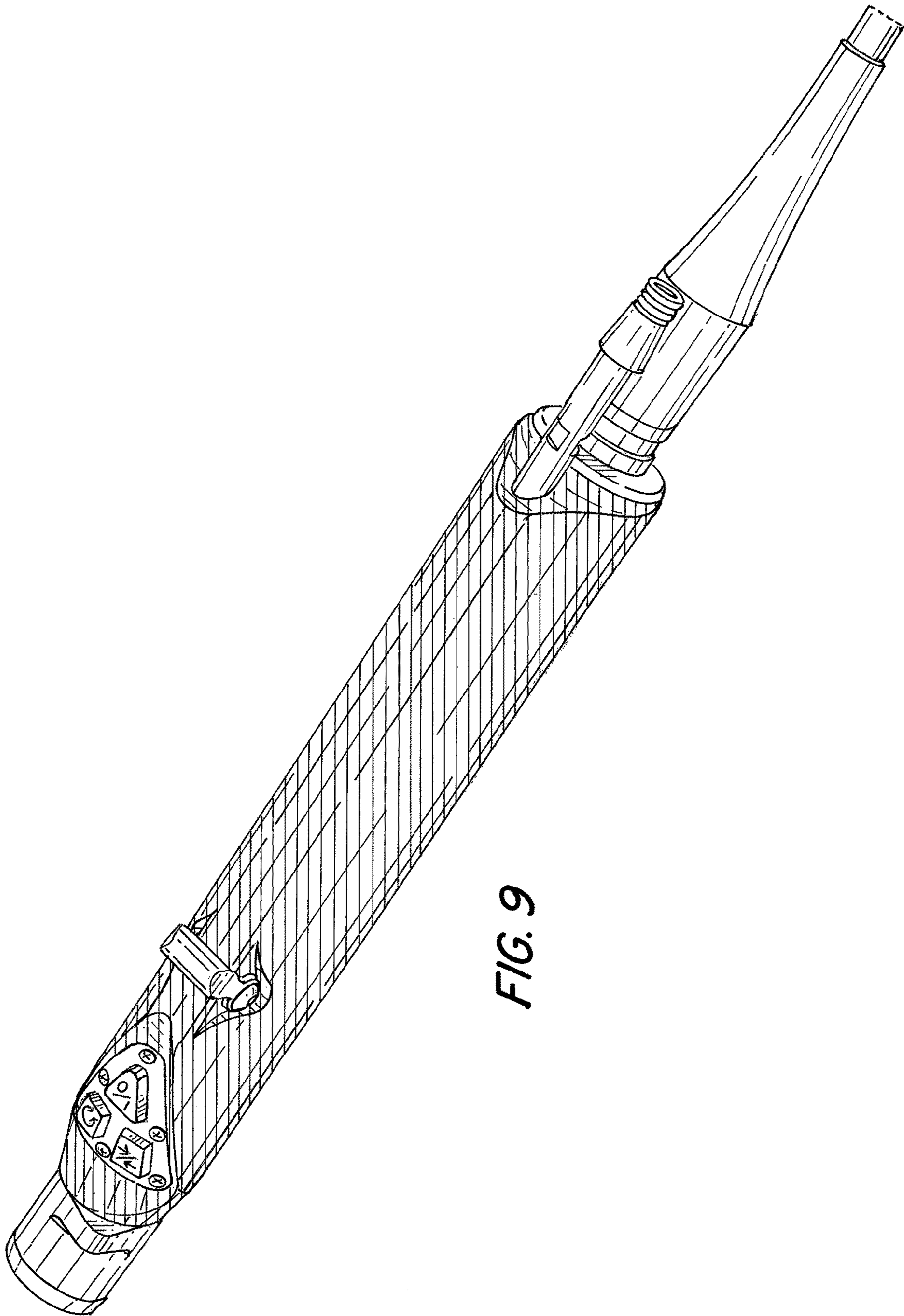


FIG. 9