



US00D622850S

(12) **United States Design Patent**
Fisher et al.

(10) **Patent No.:** **US D622,850 S**

(45) **Date of Patent:** **** Aug. 31, 2010**

(54) **SURGICAL SAW DEVICE**

(74) *Attorney, Agent, or Firm*—Ladas & Parry LLP

(75) Inventors: **Michael G. Fisher**, Folsom, CA (US);
John Anes, Folsom, CA (US)

(57) **CLAIM**

The ornamental design for a surgical saw device, as shown and described.

(73) Assignee: **Synvasive Technology, Inc.**, El Dorado Hills, CA (US)

(**) Term: **14 Years**

DESCRIPTION

(21) Appl. No.: **29/340,599**

FIG. 1 is a perspective view of a surgical saw device showing our new design;

(22) Filed: **Jul. 21, 2009**

FIG. 2 is a right side elevational view thereof, the opposite side elevational view being identical thereto;

(51) **LOC (9) Cl.** **24-02**

FIG. 3 is a top plan view thereof;

(52) **U.S. Cl.** **D24/146**

FIG. 4 is a bottom plan view thereof;

(58) **Field of Classification Search** D8/20,
D8/26, 64; D24/146, 147; 30/151, 162,
30/163, 166.3, 335; 606/82, 85, 176–179

FIG. 5 is a rear elevational view thereof; and

See application file for complete search history.

FIG. 6 is a front elevational view thereof.

(56) **References Cited**

FIG. 7 is a perspective view of a second embodiment of a surgical saw device showing our new design;

U.S. PATENT DOCUMENTS

FIG. 8 is a right side elevational view thereof, the opposite side elevational view being identical thereto;

D3,994 S *	4/1870	Moore	D8/20
D4,255 S *	7/1870	Rhodes	D8/20
D4,497 S *	11/1870	Rhodes	D8/20
D4,706 S *	3/1871	Kidd	D8/20
D5,226 S *	8/1871	Miller	D8/20
3,016,932 A *	1/1962	Jacobson	30/369
4,934,056 A *	6/1990	Leini	30/369
5,306,285 A *	4/1994	Miller et al.	606/177
5,681,314 A *	10/1997	Derouin et al.	606/79
6,857,192 B1 *	2/2005	Summers et al.	30/294
7,060,072 B2 *	6/2006	Wolff et al.	606/84
D525,707 S *	7/2006	Kullmer et al.	D24/146
D552,239 S *	10/2007	Wolff	D24/147
D576,729 S *	9/2008	Tanaka et al.	D24/144
D586,633 S *	2/2009	Taylor et al.	D8/20

FIG. 9 is a top plan view thereof;

FIG. 10 is a bottom plan view thereof;

FIG. 11 is a rear elevational view thereof; and

FIG. 12 is a front elevational view thereof.

FIG. 13 is a perspective view of a third embodiment of a surgical saw device showing our new design;

FIG. 14 is a right side elevational view thereof, the opposite side elevational view being identical thereto;

FIG. 15 is a top plan view thereof;

FIG. 16 is a bottom plan view thereof;

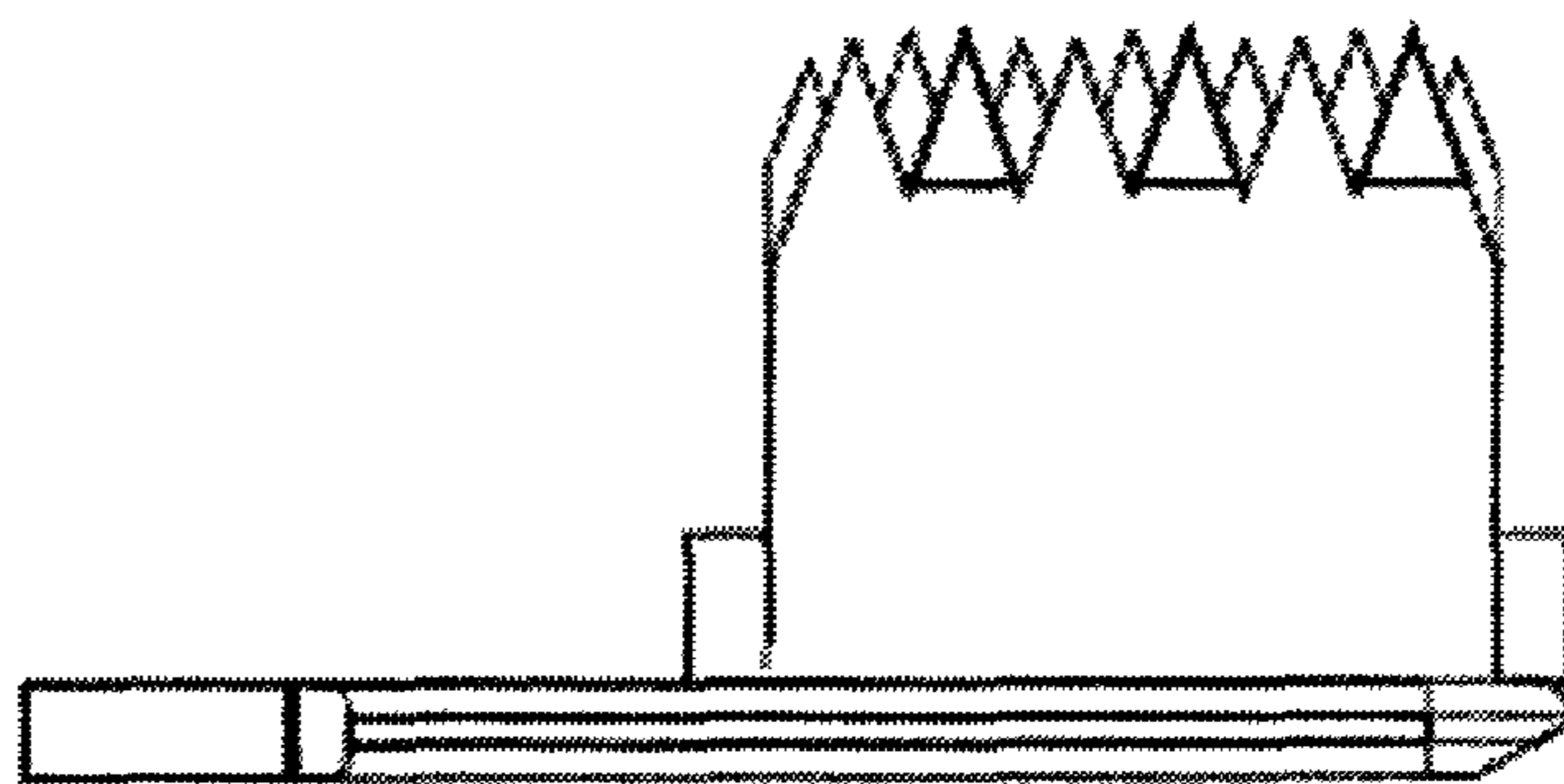
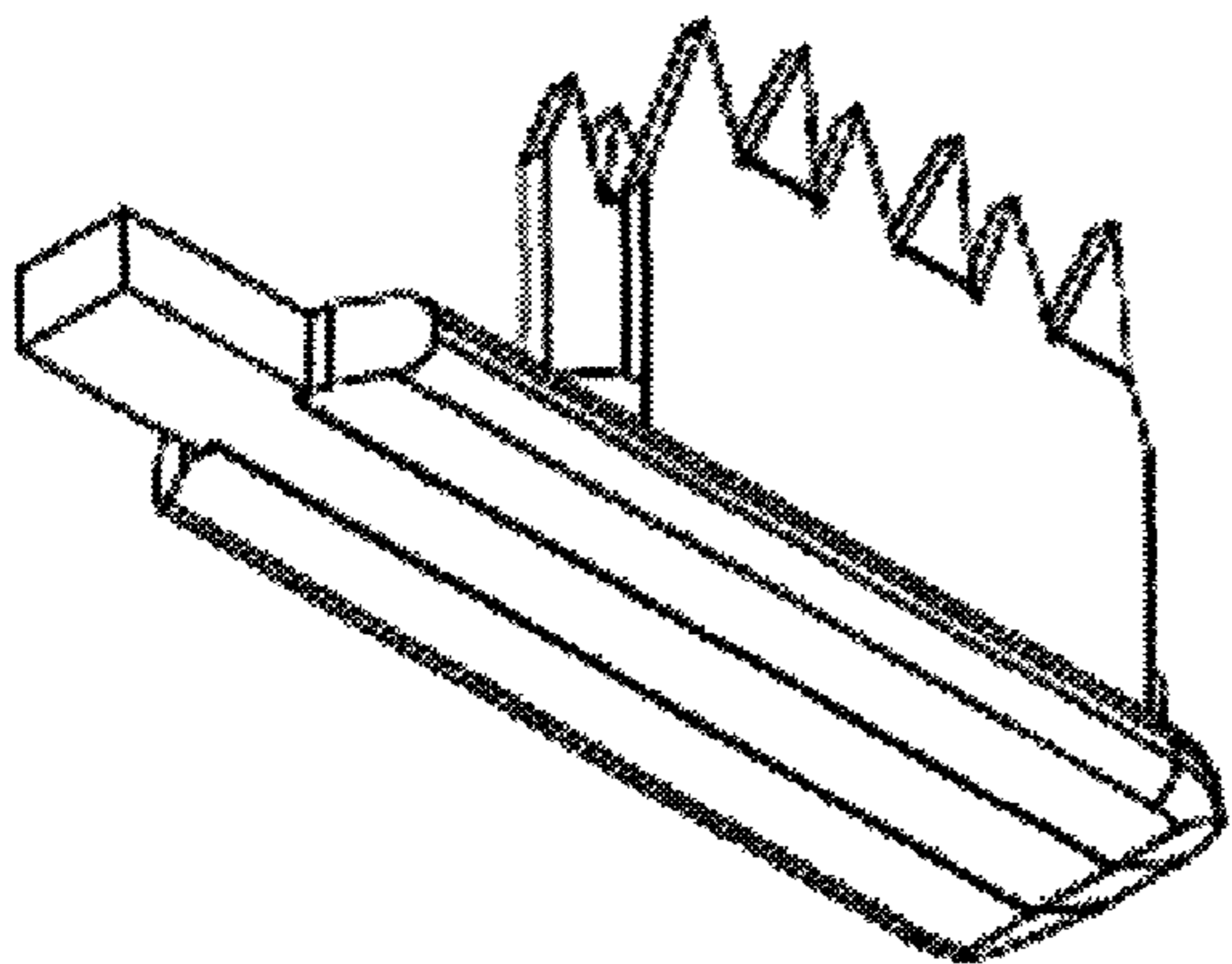
FIG. 17 is a rear elevational view thereof; and,

FIG. 18 is a front elevational view thereof.

* cited by examiner

Primary Examiner—Freda S Nunn

1 Claim, 3 Drawing Sheets



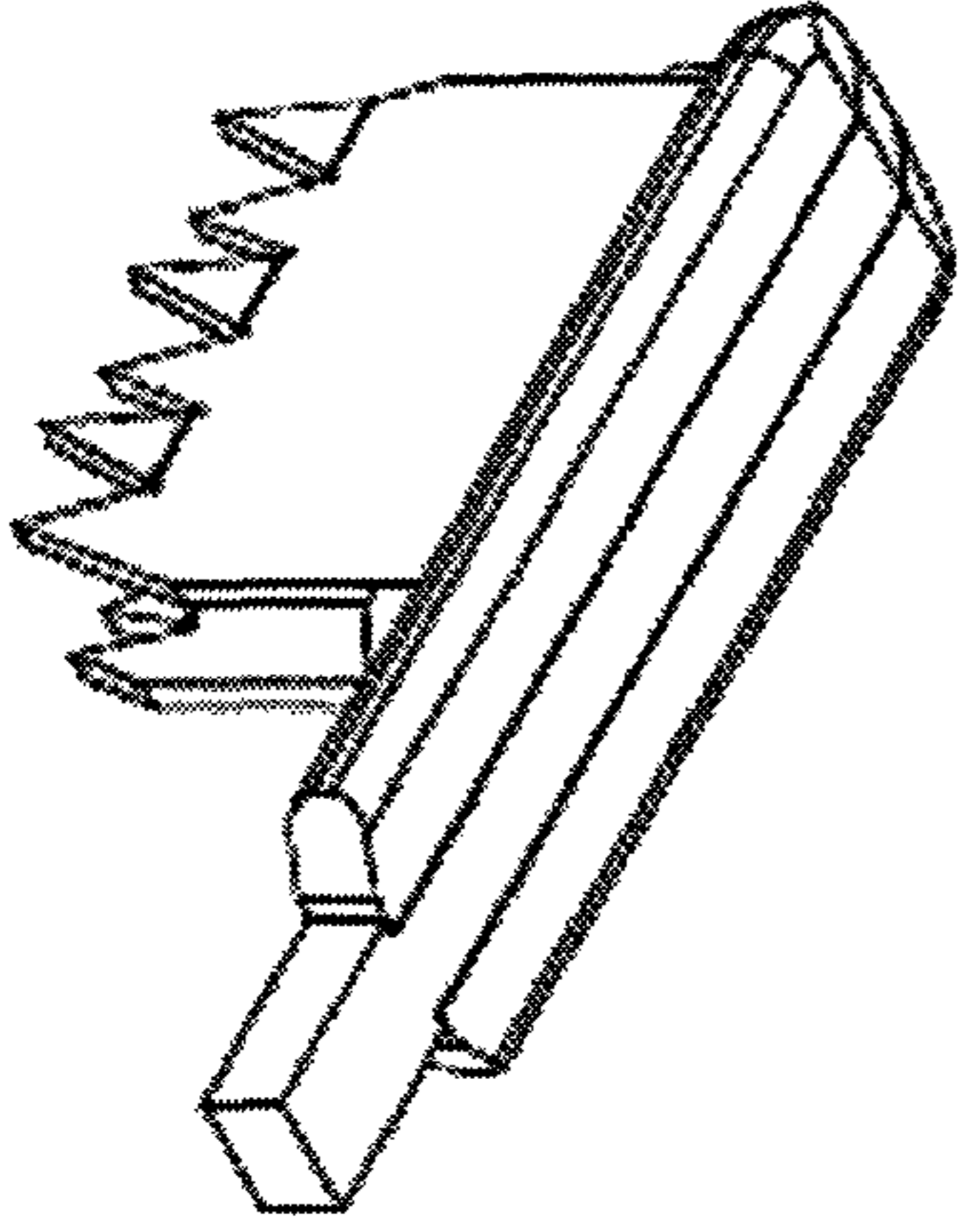


FIG. 1

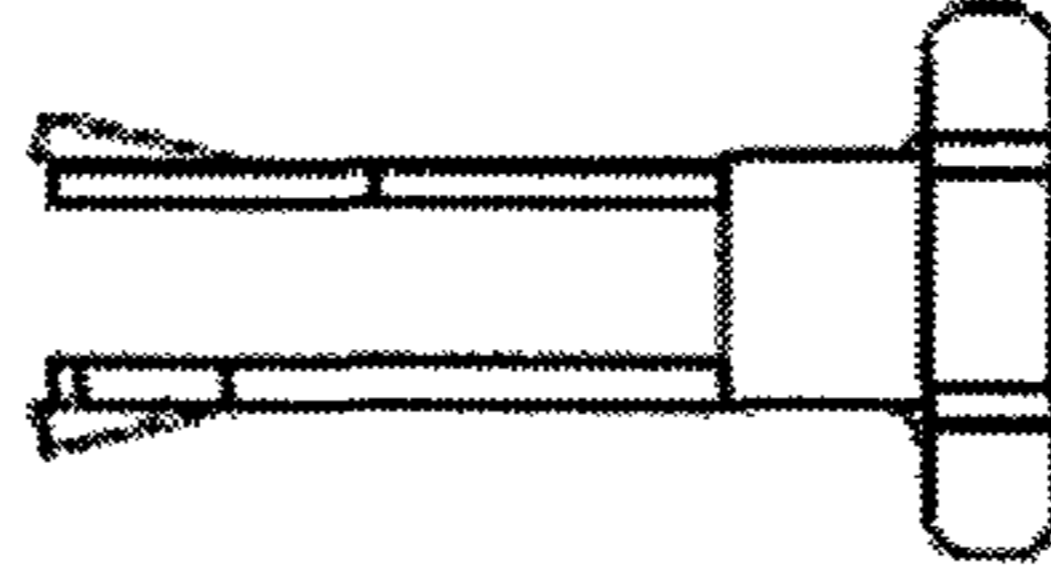


FIG. 6

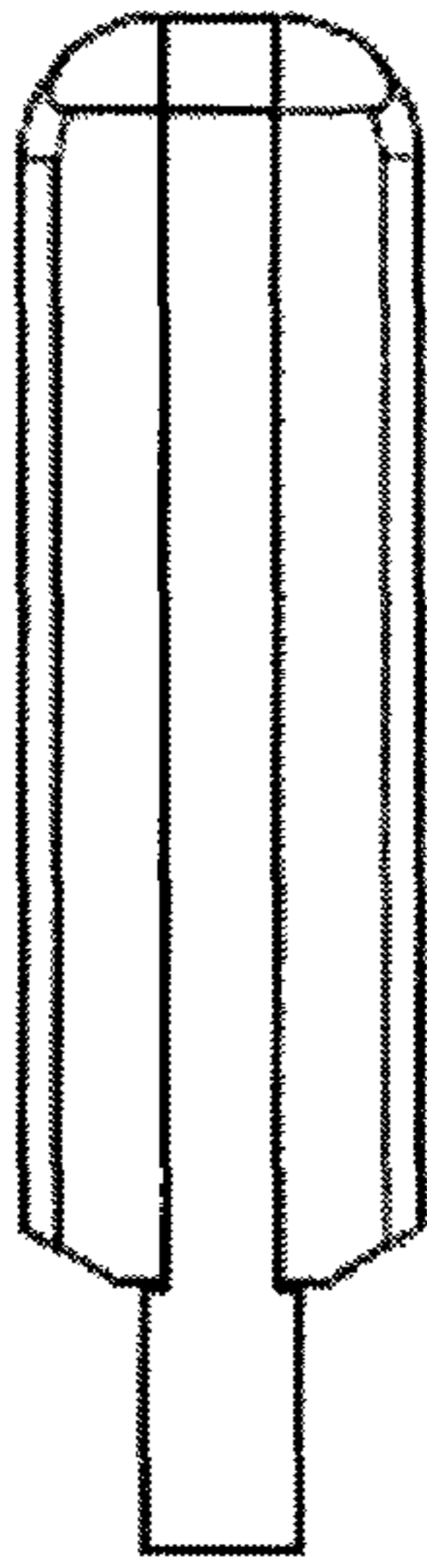


FIG. 3

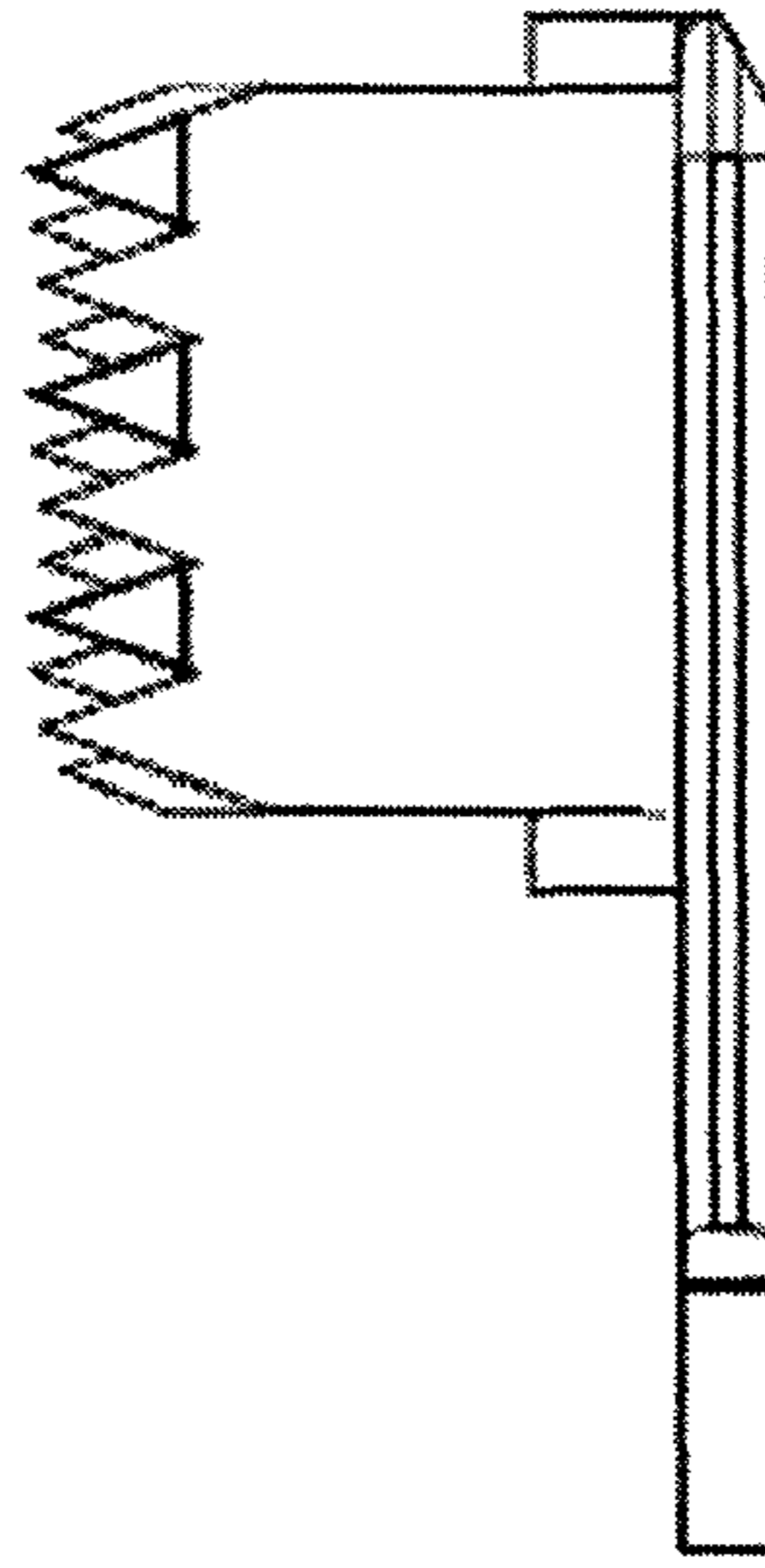


FIG. 2

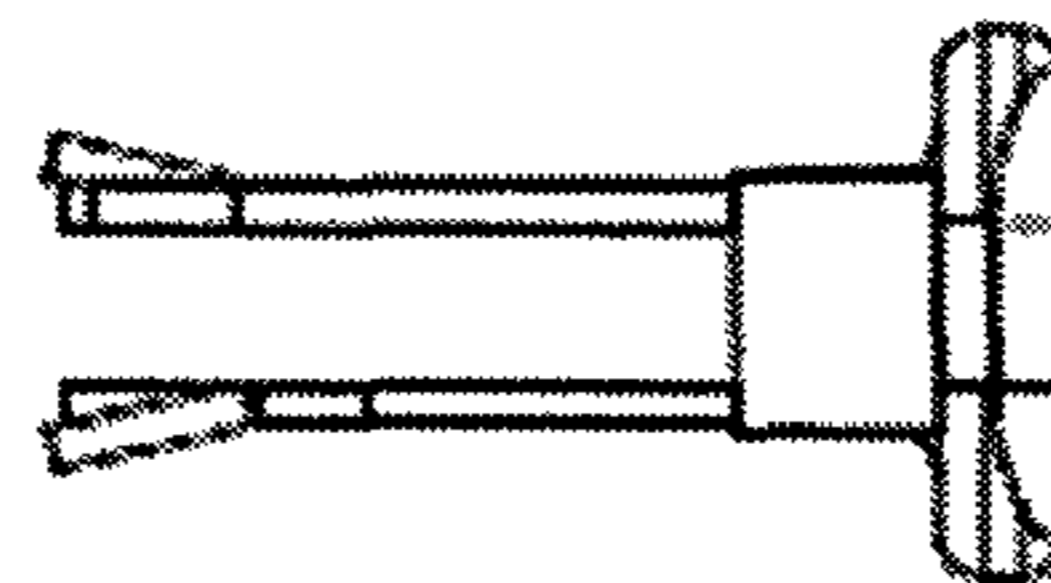


FIG. 5

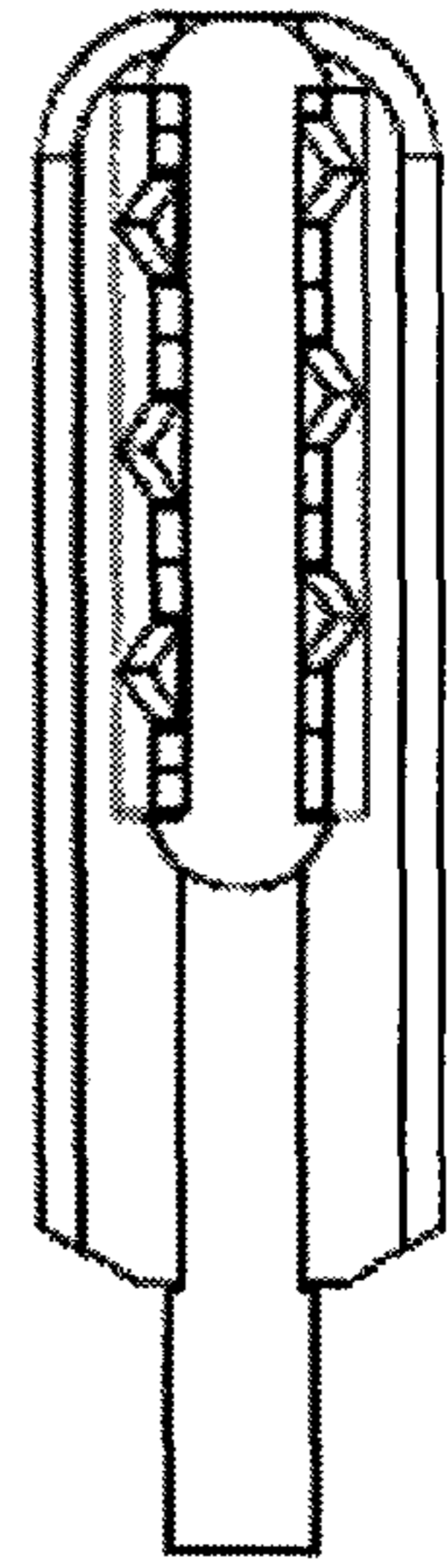


FIG. 4

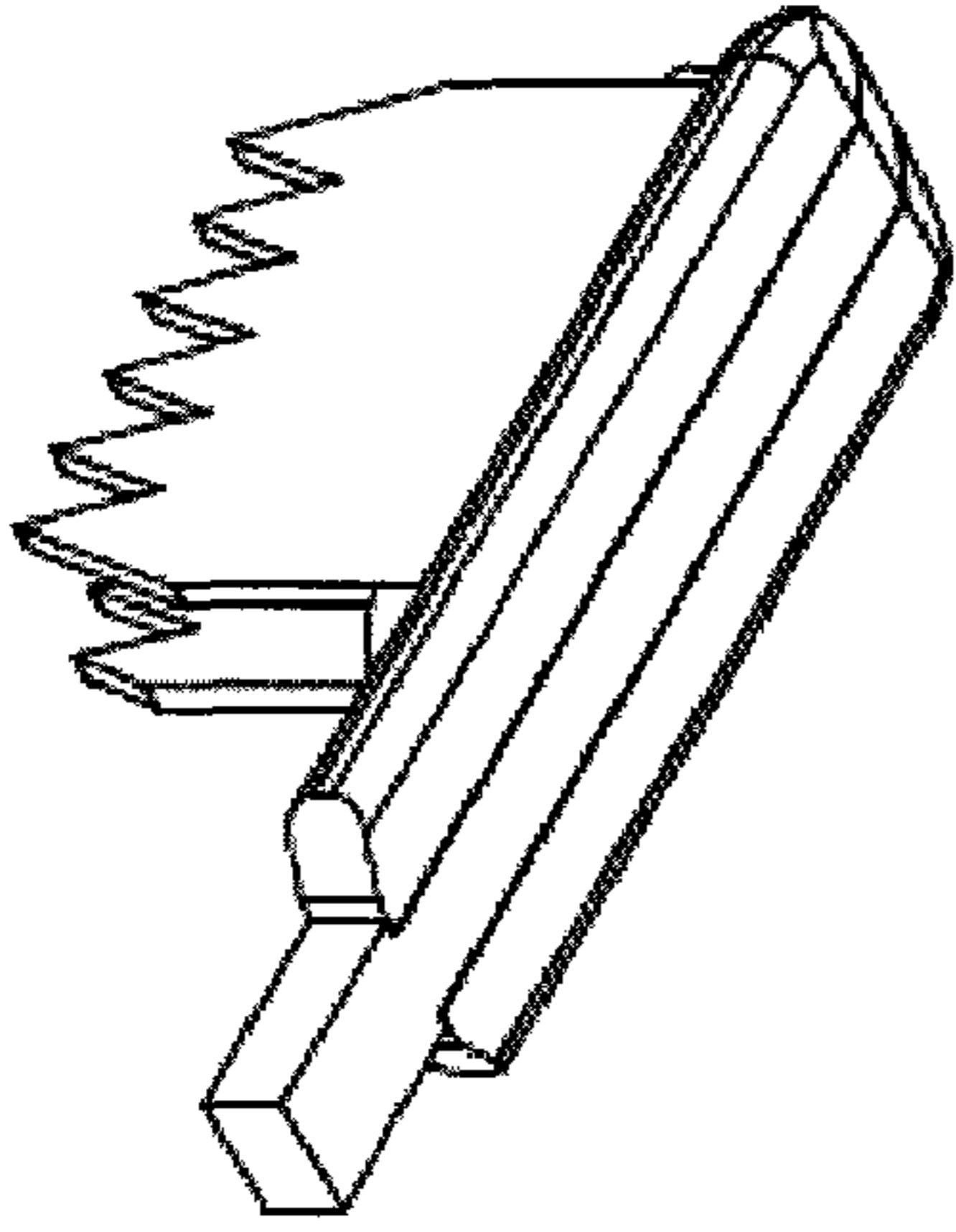


FIG. 7

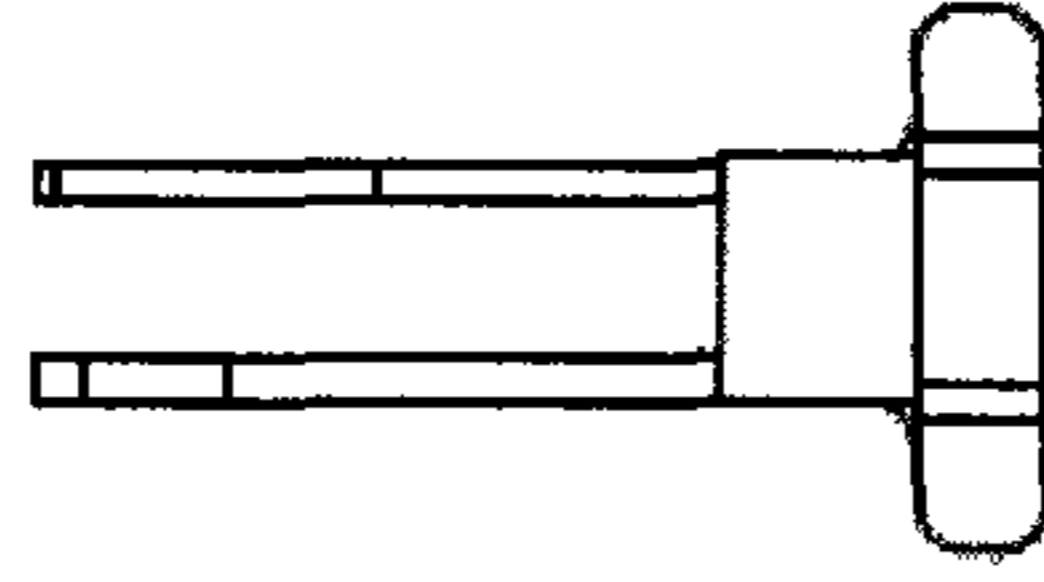


FIG. 12

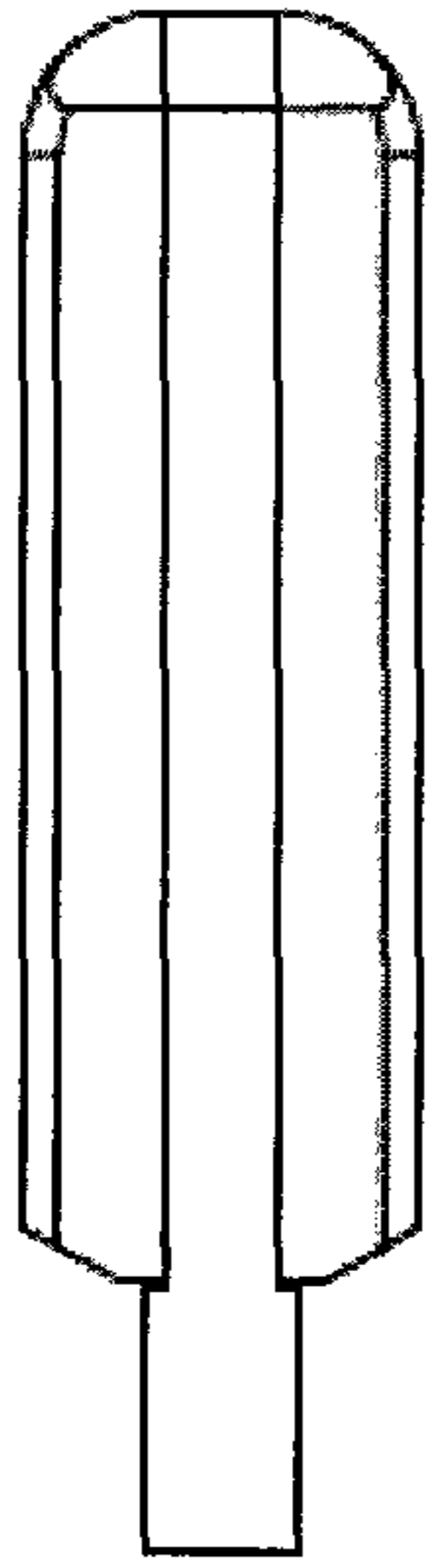


FIG. 9

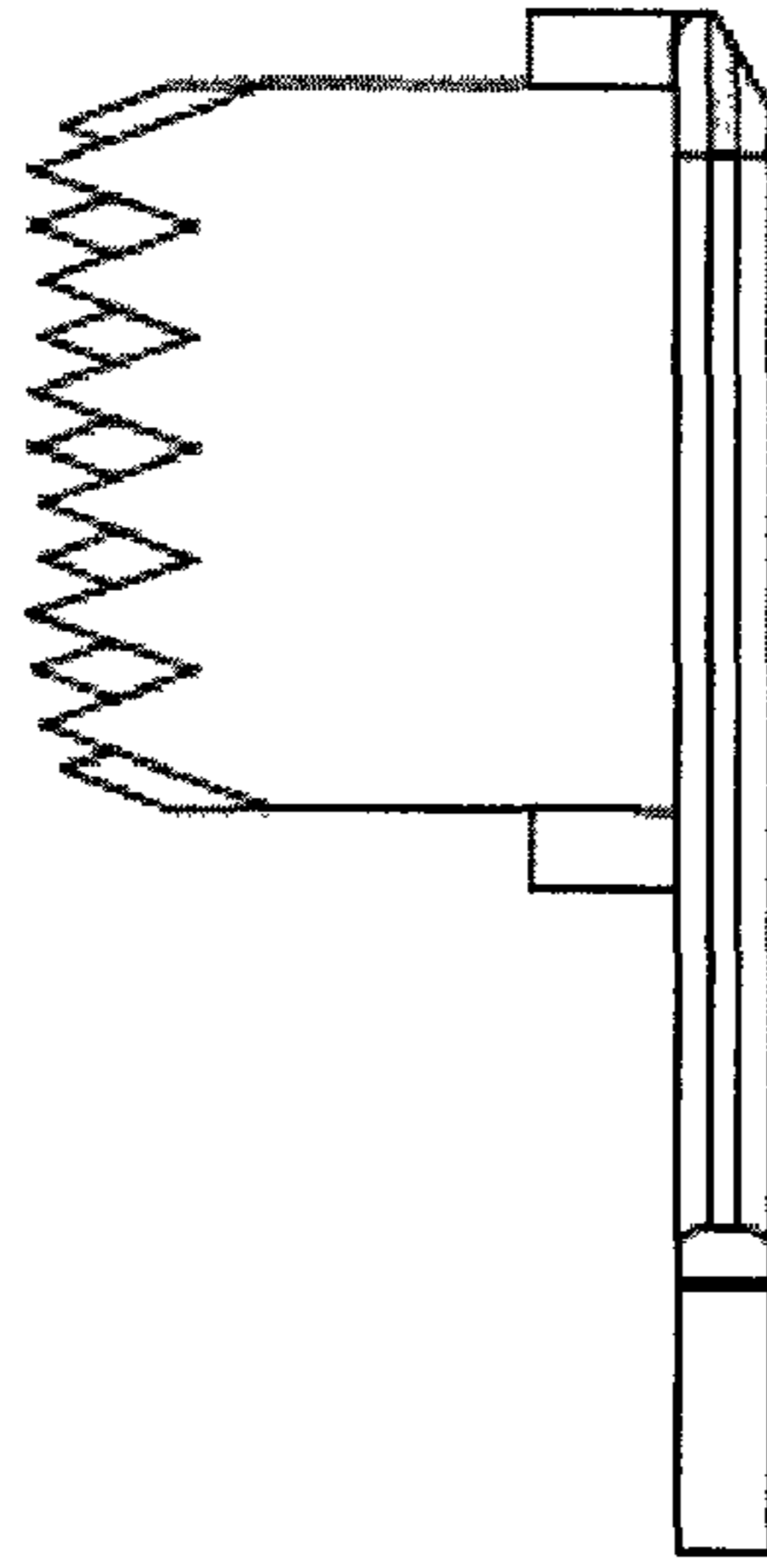


FIG. 8

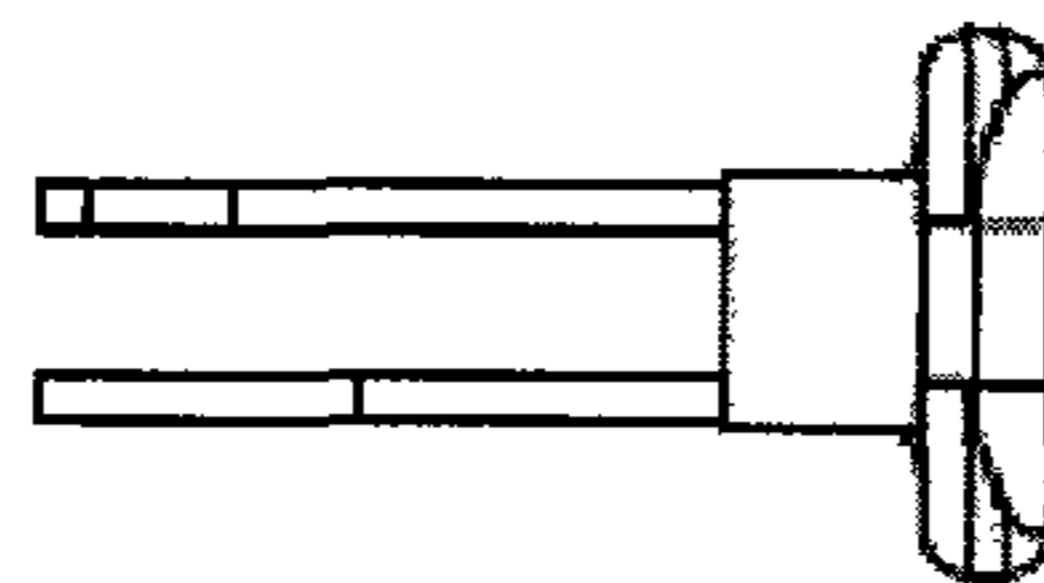


FIG. 11

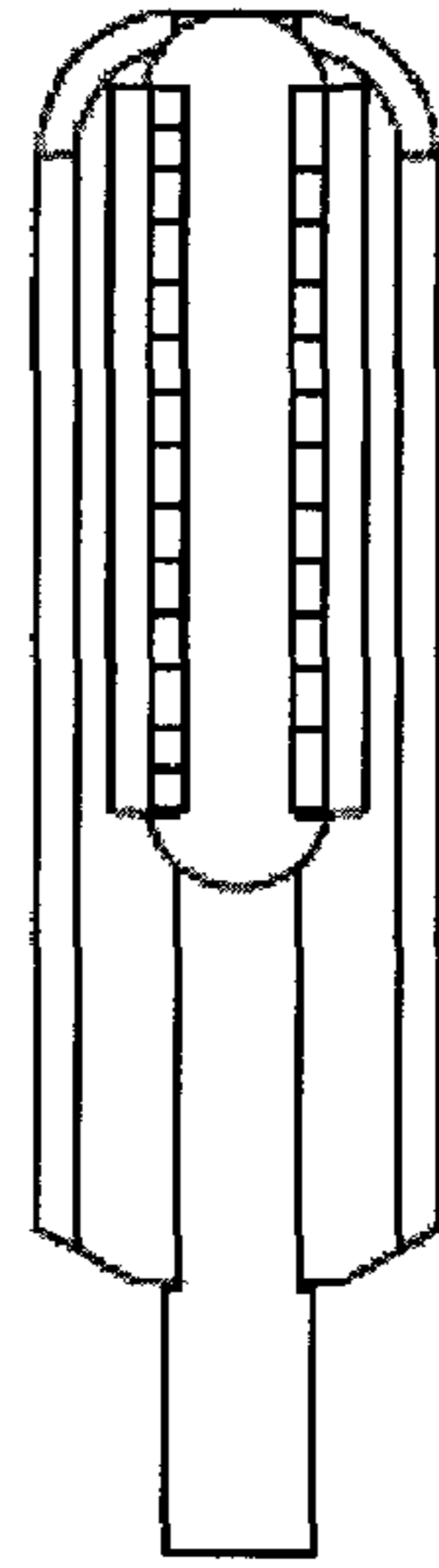


FIG. 10

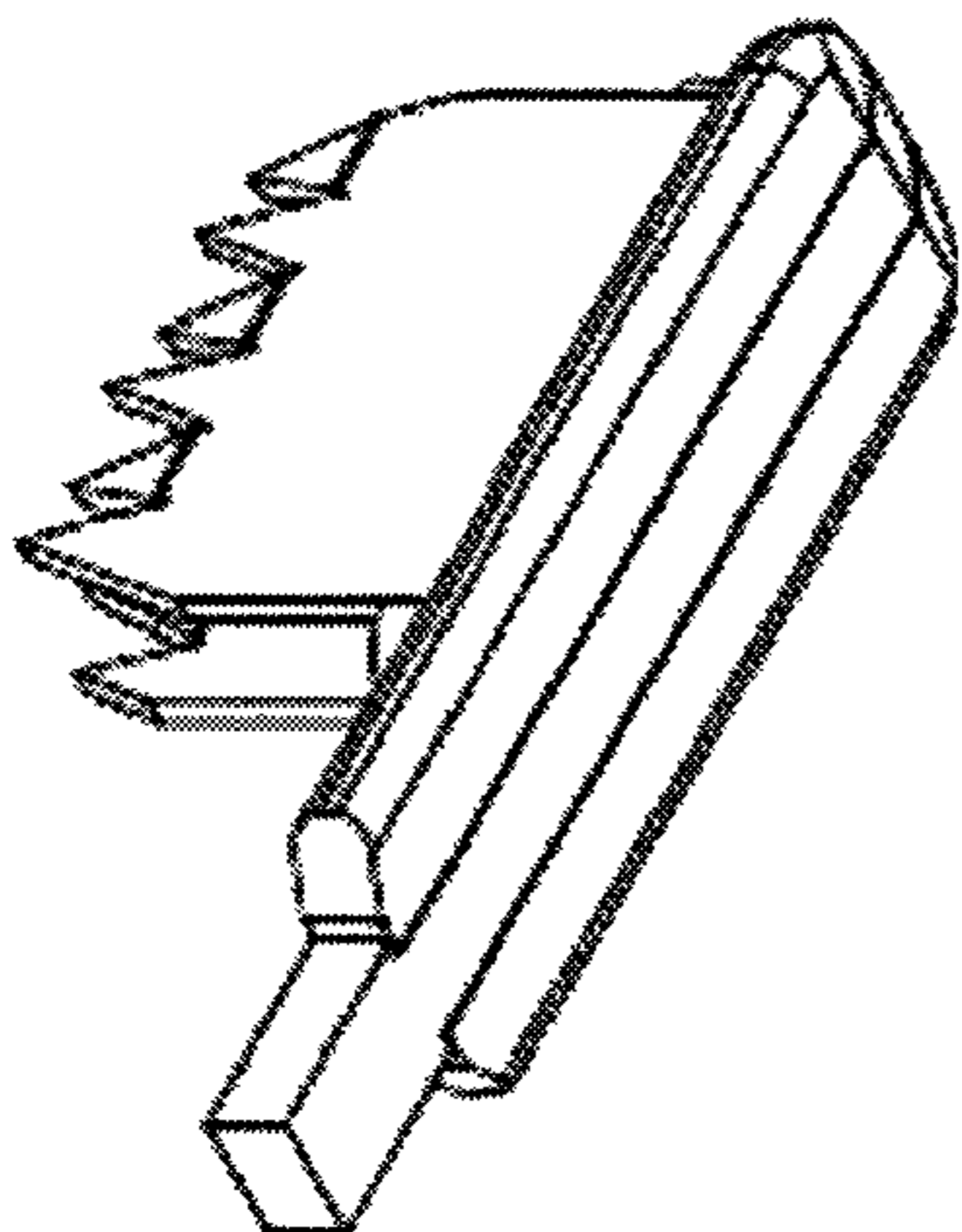


FIG. 13

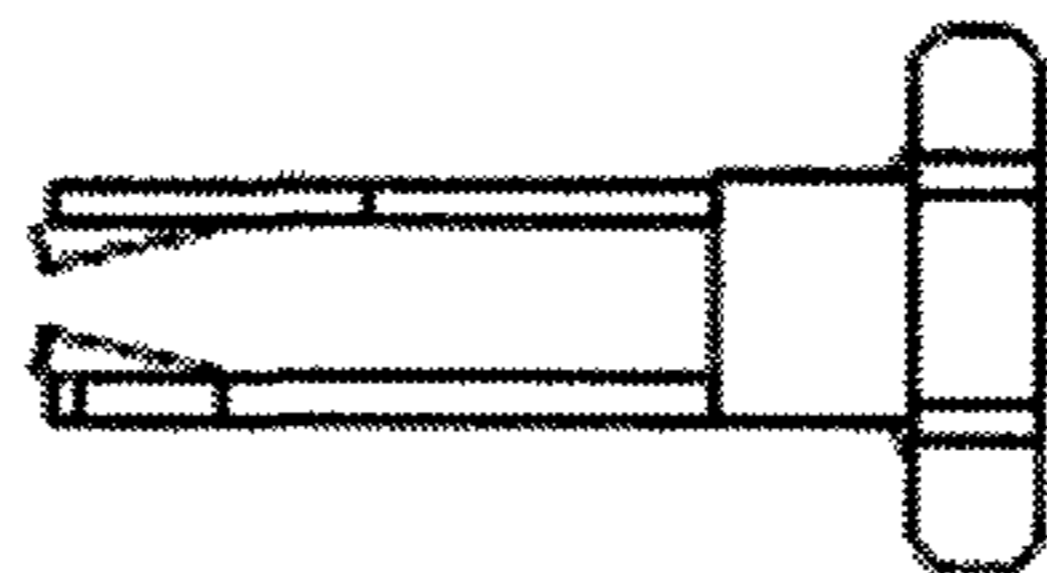


FIG. 18

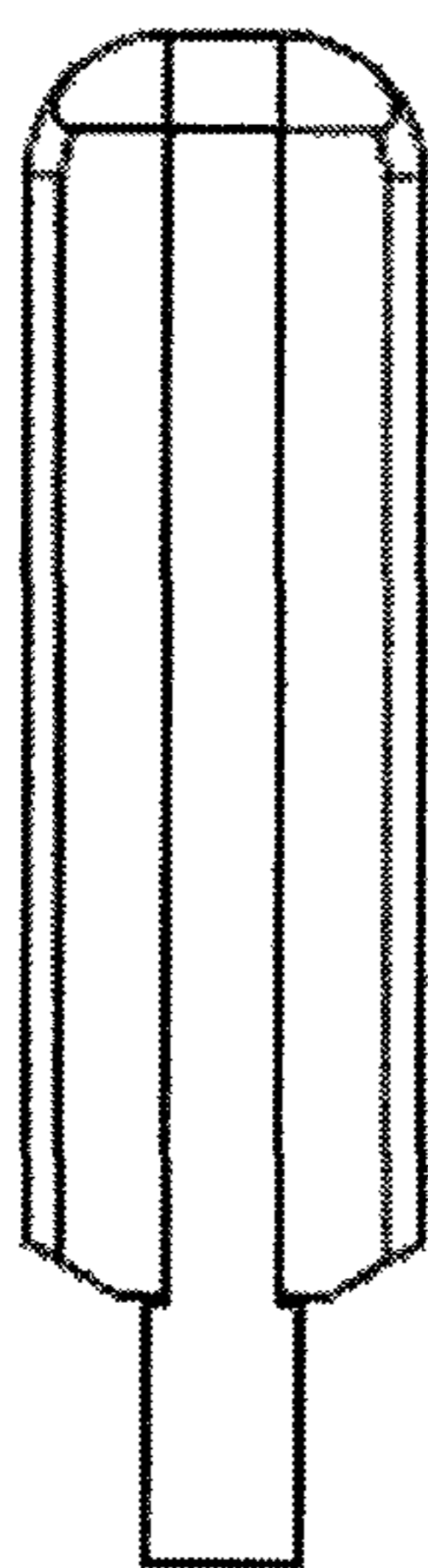


FIG. 15

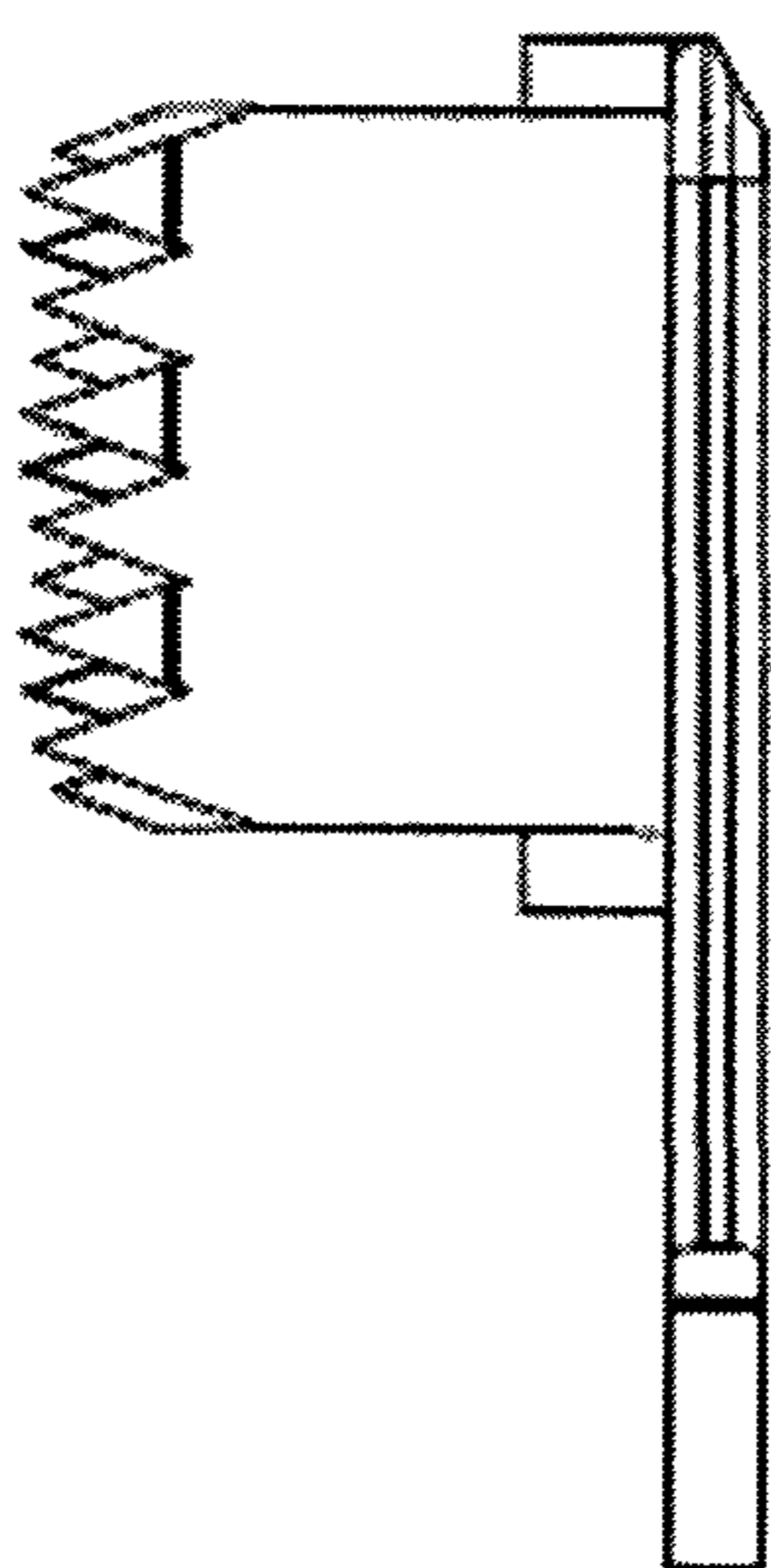


FIG. 14

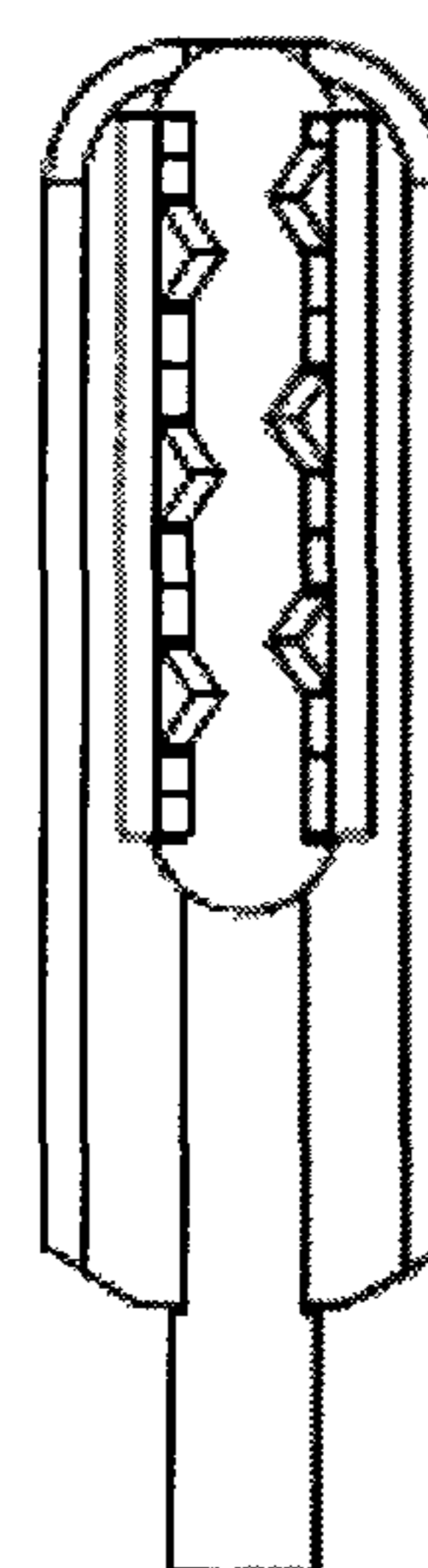


FIG. 16

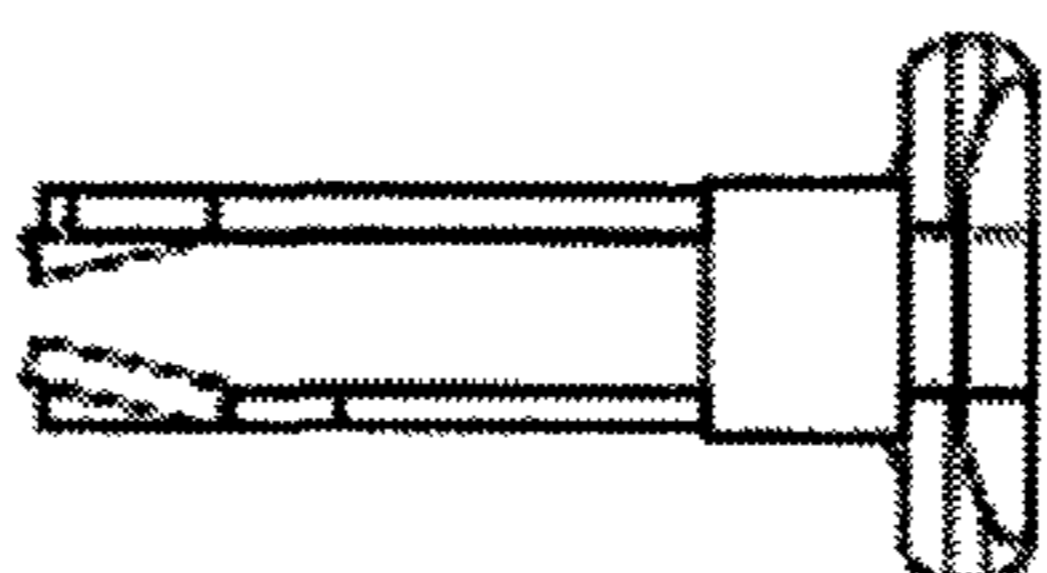


FIG. 17