

US00D622846S

(12) **United States Design Patent**
Frey

(10) **Patent No.:** **US D622,846 S**

(45) **Date of Patent:** **** *Aug. 31, 2010**

(54) **SHAFT FOR MEDICAL INSTRUMENT**

(75) Inventor: **Sebastian Frey**, Villingen-Schwenningen (DE)

(73) Assignee: **Karl Storz GmbH & Co. KG** (DE)

(*) Notice: This patent is subject to a terminal disclaimer.

(**) Term: **14 Years**

(21) Appl. No.: **29/333,112**

(22) Filed: **Mar. 3, 2009**

(30) **Foreign Application Priority Data**

Sep. 3, 2008 (EM) 000996178

(51) **LOC (9) Cl.** **24-02**

(52) **U.S. Cl.** **D24/138**

(58) **Field of Classification Search** D24/140, D24/129, 107, 133, 137, 138, 108; D15/132, D15/138, 139; 606/96, 102, 97, 98, 87, 88, 606/89; 600/101, 104, 112-114, 120, 122, 600/123, 131, 132, 136, 138, 153, 154, 156, 600/158, 162, 105, 128, 135; 604/523; 285/315
See application file for complete search history.

(56) **References Cited**

U.S. PATENT DOCUMENTS

D264,824 S * 6/1982 Sandel D10/71
5,403,264 A * 4/1995 Wohlers et al. 600/32

5,843,031 A * 12/1998 Hermann et al. 604/95.01
D434,148 S * 11/2000 Sauer et al. D24/146
6,569,119 B1 * 5/2003 Haberland et al. 604/167.03
7,011,314 B2 * 3/2006 McFarlane 277/626
D537,941 S * 3/2007 Haberland et al. D24/143
7,470,255 B2 * 12/2008 Stearns et al. 604/167.06
D597,204 S * 7/2009 Oberlaender et al. D24/133
2004/0064100 A1 * 4/2004 Smith 604/167.06
2008/0122148 A1 * 5/2008 Frey et al. 269/1
2008/0234713 A1 * 9/2008 Bernardini 606/170
2009/0076465 A1 * 3/2009 Berry et al. 604/265

* cited by examiner

Primary Examiner—Ian Simmons

Assistant Examiner—Charles D Hanson

(74) *Attorney, Agent, or Firm*—St. Onge Steward Johnston & Reens LLC

(57) **CLAIM**

The ornamental design for a shaft for medical instrument, as shown and described.

DESCRIPTION

FIG. 1 is a top perspective view of a shaft for medical instrument in accordance with the new design;

FIG. 2 is a side view thereof;

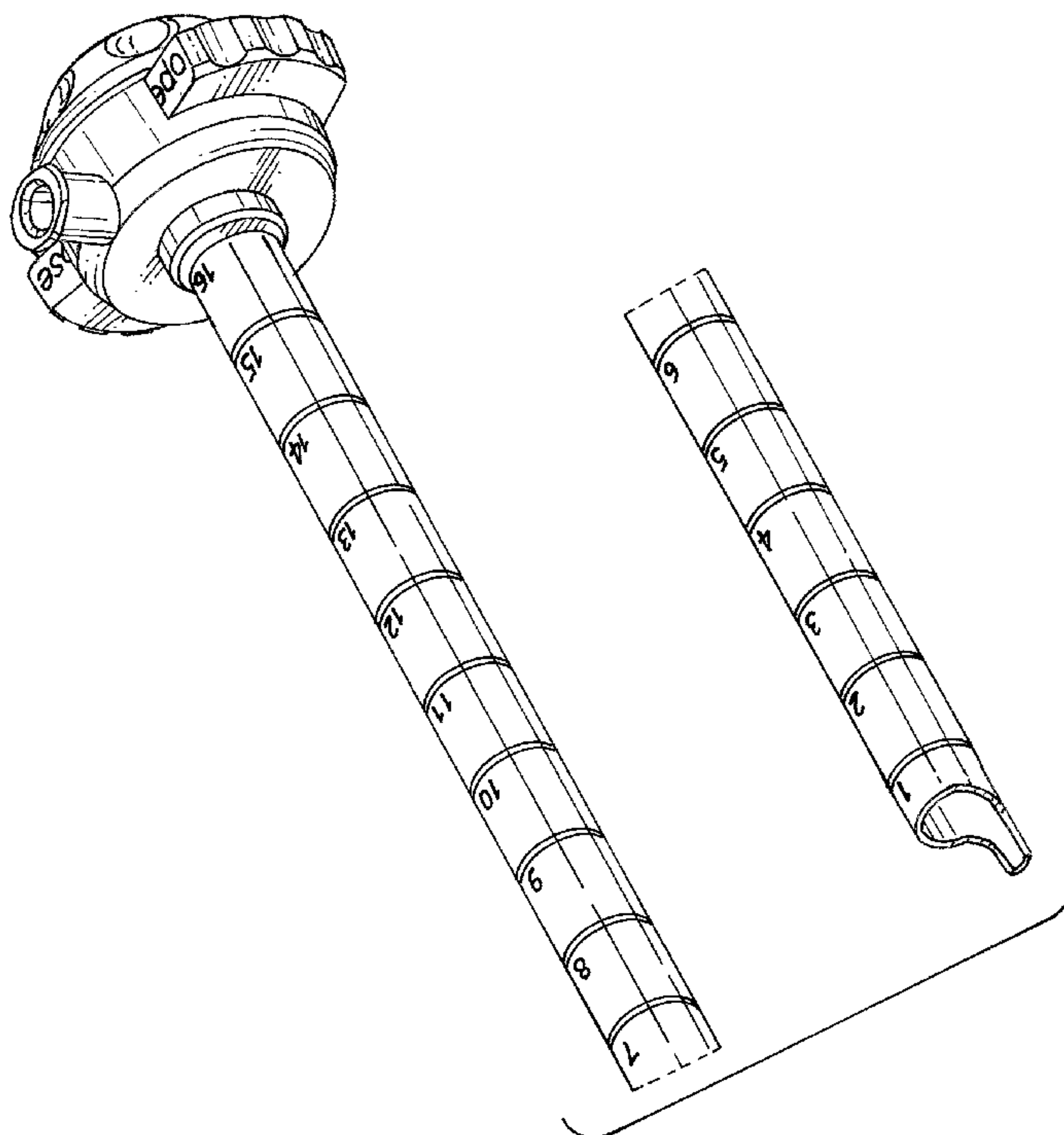
FIG. 3 is a top view thereof;

FIG. 4 is a bottom view thereof;

FIG. 5 is a rear view thereof; and,

FIG. 6 is a front view thereof.

1 Claim, 5 Drawing Sheets



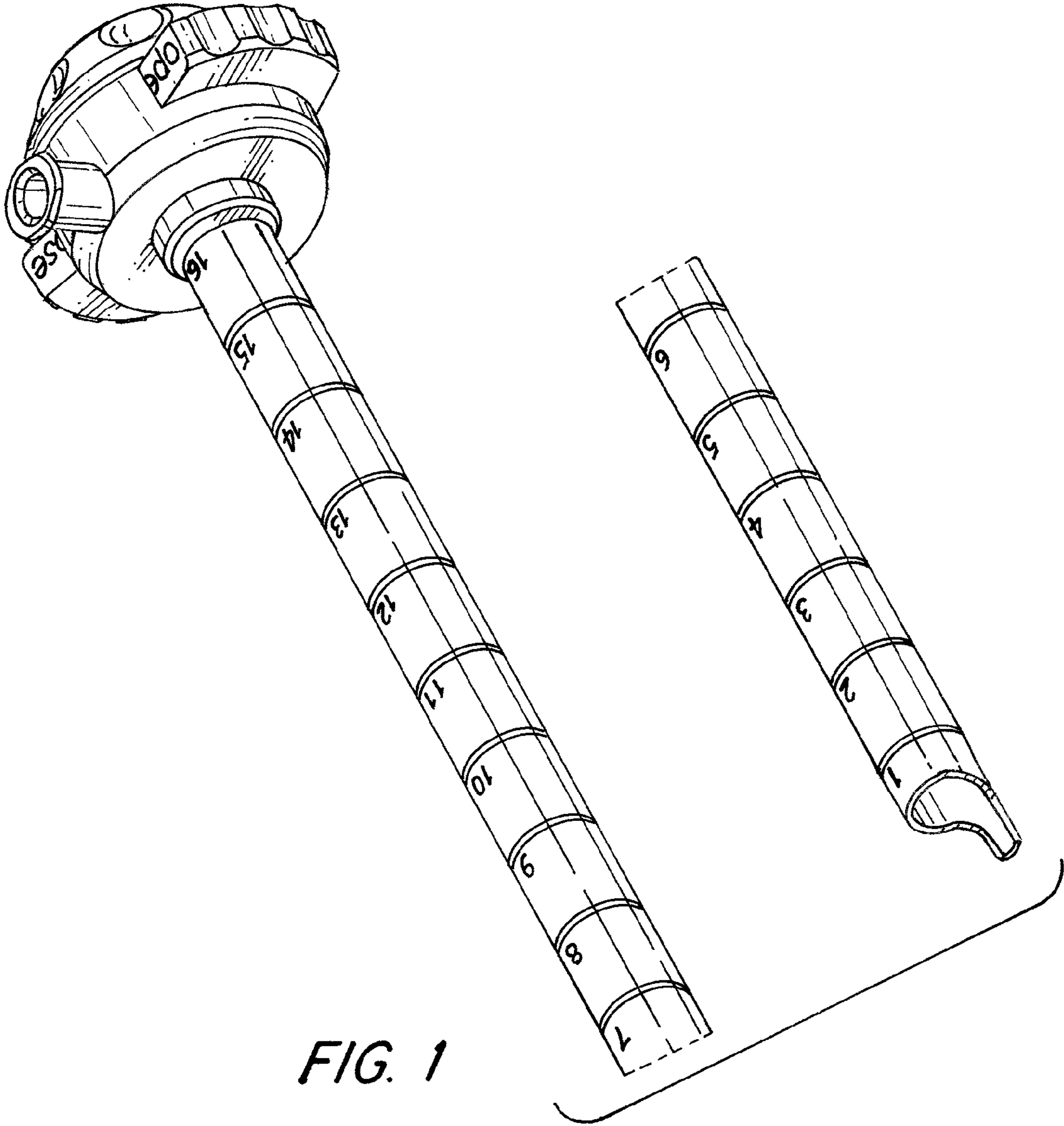


FIG. 1

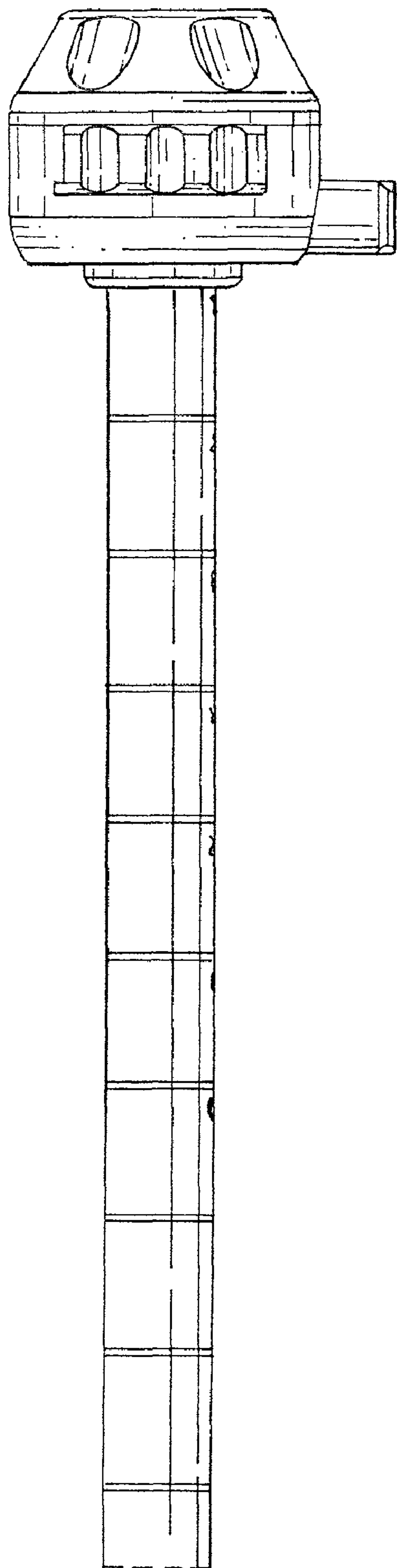


FIG. 2



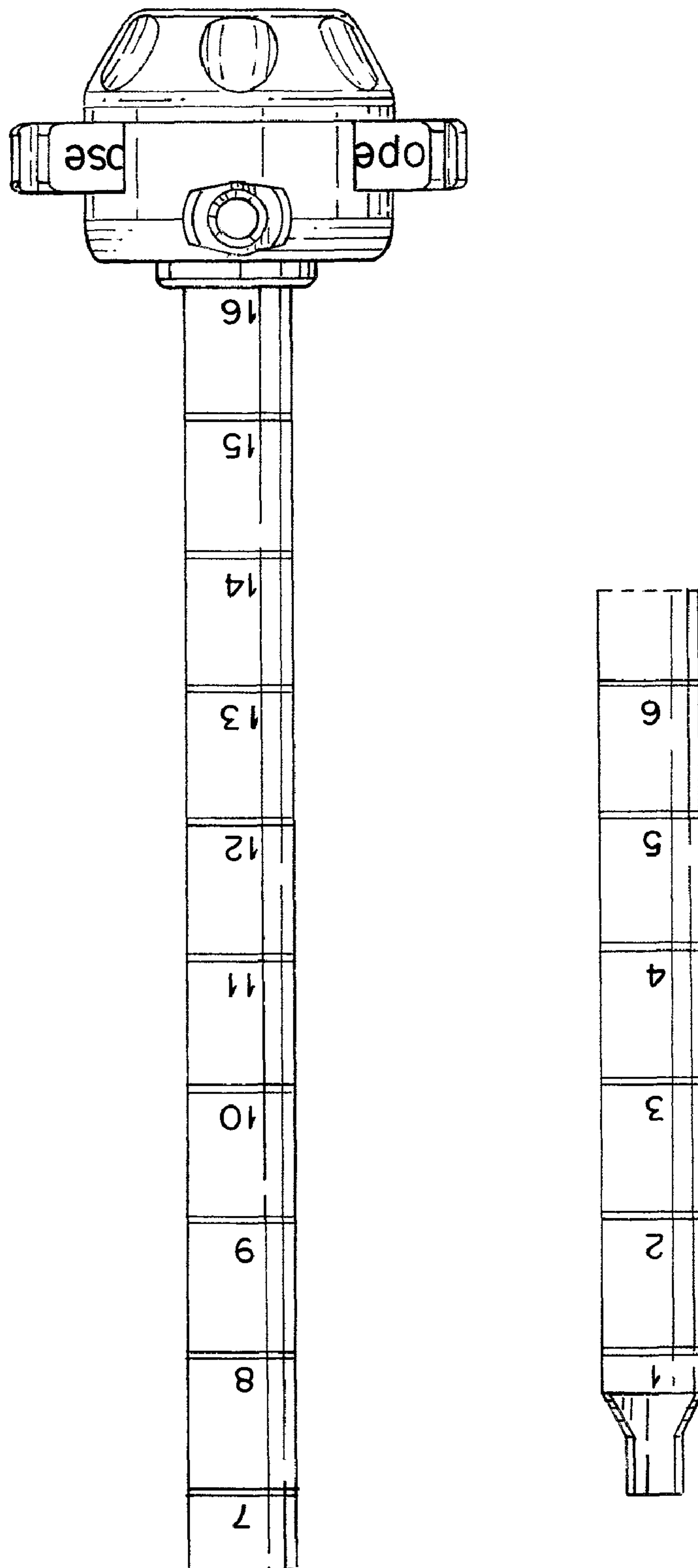


FIG. 3

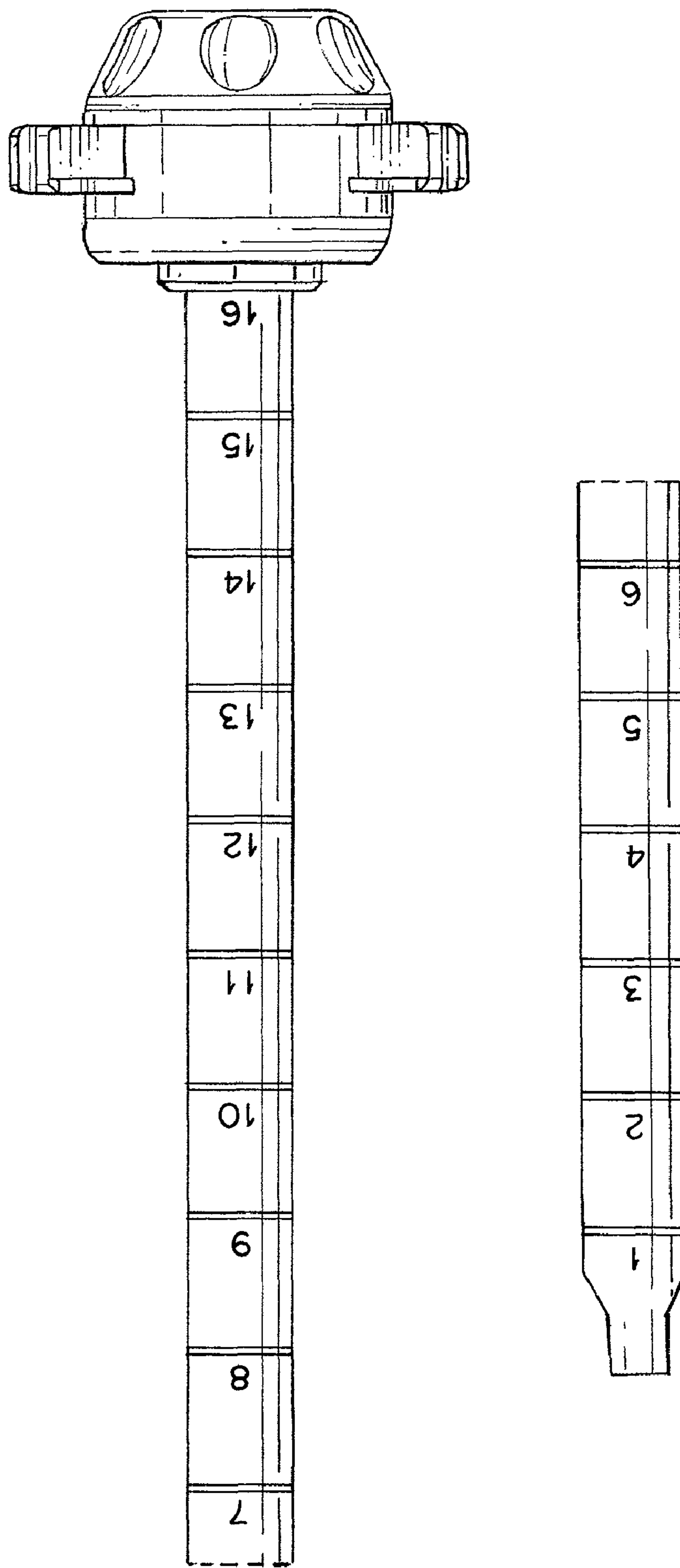


FIG. 4

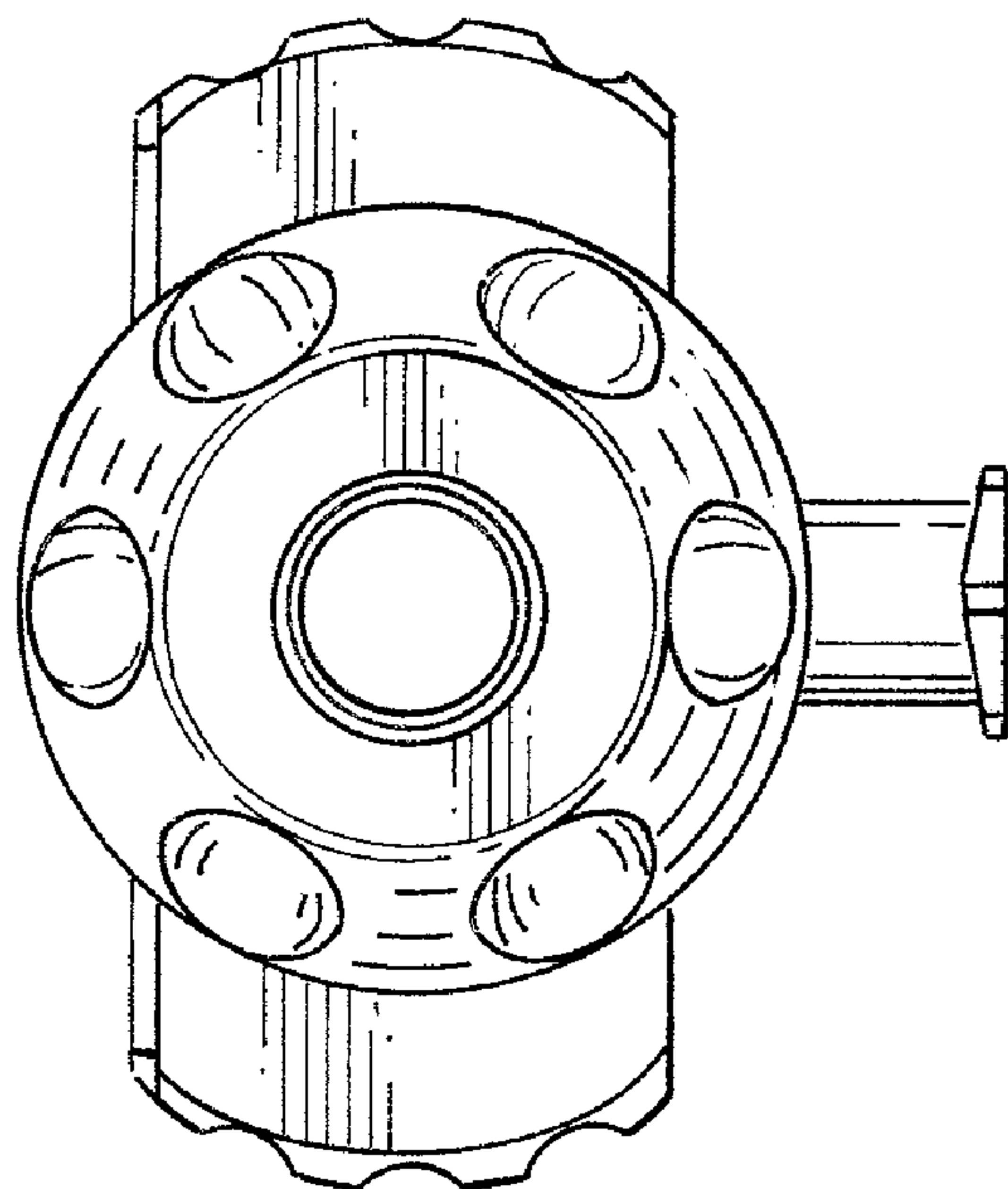


FIG. 5

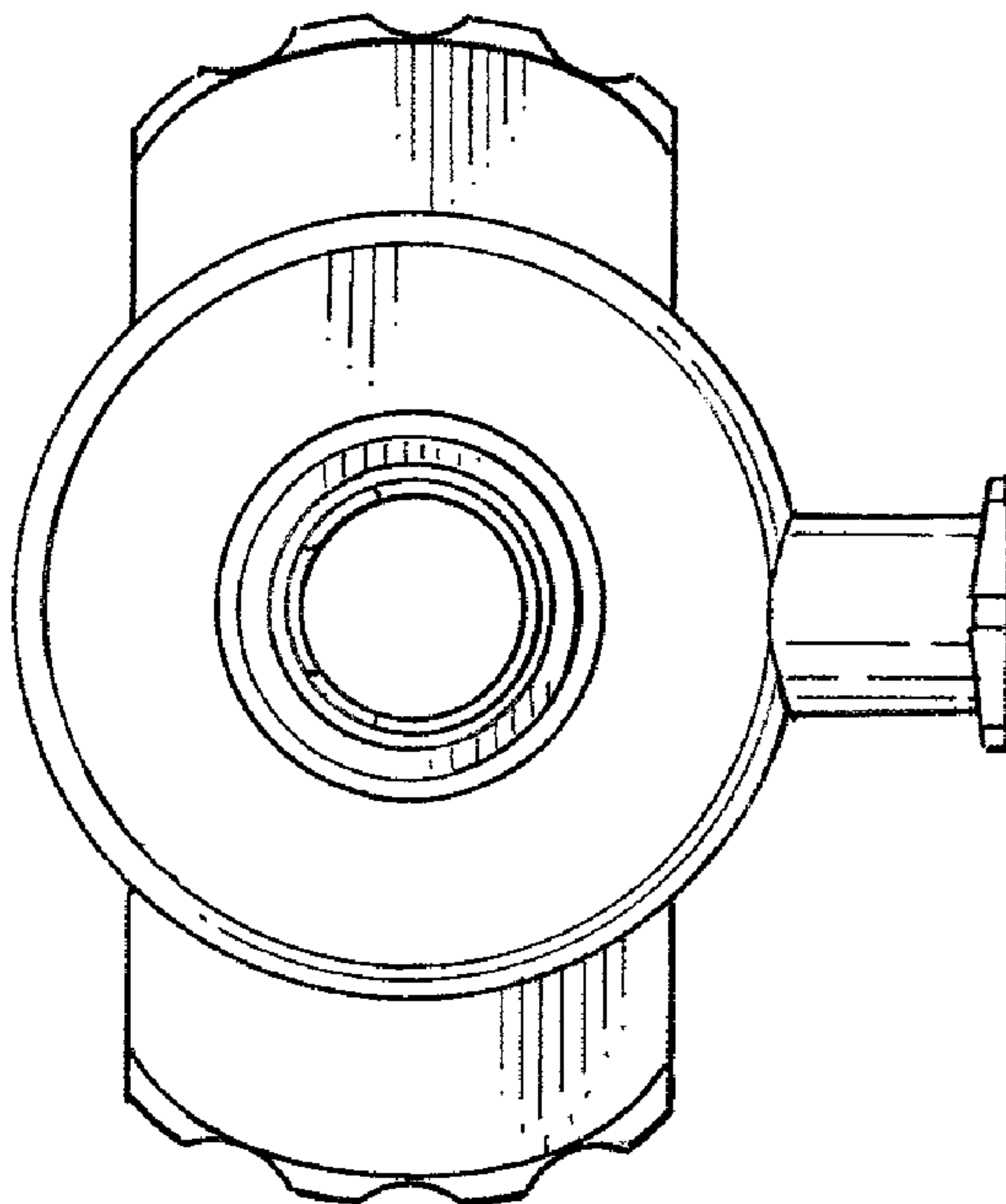


FIG. 6