



US00D622842S

(12) **United States Design Patent**
Benoist

(10) **Patent No.:** **US D622,842 S**

(45) **Date of Patent:** **** Aug. 31, 2010**

(54) **IMPLANTABLE MONITOR DELIVERY
DEVICE HANDLE**

(75) **Inventor:** **William Brent Benoist**, Germantown,
TN (US)

(73) **Assignee:** **Given Imaging Ltd.**, Yoqneam (IL)

(**) **Term:** **14 Years**

(21) **Appl. No.:** **29/341,508**

(22) **Filed:** **Aug. 6, 2009**

(51) **LOC (9) Cl.** **24-02**

(52) **U.S. Cl.** **D24/133**

(58) **Field of Classification Search** D24/133,
D24/144-147, 112, 130; 606/42, 108, 194,
606/195, 129; 604/118, 119; 623/1.11, 1.23,
623/903; 600/131, 156

See application file for complete search history.

(56) **References Cited**

U.S. PATENT DOCUMENTS

D453,833	S	*	2/2002	Hess	D24/144
D483,475	S	*	12/2003	Kirwan et al.	D24/108
D494,270	S	*	8/2004	Reschke	D24/144
D495,051	S	*	8/2004	Reschke	D24/144
D533,274	S	*	12/2006	Visconti et al.	D24/133
D546,448	S	*	7/2007	Oi	D24/138
D564,093	S	*	3/2008	Marchand et al.	D24/133
D566,836	S	*	4/2008	Keane	D24/133
D576,725	S	*	9/2008	Shumer et al.	D24/133
D578,216	S	*	10/2008	Dorn et al.	D24/133
D578,643	S	*	10/2008	Shumer et al.	D24/133
D578,644	S	*	10/2008	Shumer et al.	D24/133
D578,645	S	*	10/2008	Shumer et al.	D24/133
D585,987	S	*	2/2009	Aparici et al.	D24/133
D597,668	S	*	8/2009	Woodruff et al.	D24/133

D598,543	S	*	8/2009	Vogel et al.	D24/133
D600,808	S	*	9/2009	Morgan et al.	D24/144
D604,844	S	*	11/2009	Summerer et al.	D24/133
2009/0198252	A1	*	8/2009	Seifert et al.	606/129

* cited by examiner

Primary Examiner—Mark A Goodwin

(74) *Attorney, Agent, or Firm*—Pearl Cohen Zedek Latzer,
LLP

(57) **CLAIM**

The ornamental design for an implantable monitor delivery device handle, as shown and described.

DESCRIPTION

FIG. 1 is a first side view of the implantable monitor delivery device handle showing my new design;

FIG. 2 is a front view of the implantable monitor delivery device handle;

FIG. 3 is a rear view of the implantable monitor delivery device handle;

FIG. 4 is a second side view of the implantable monitor delivery device handle;

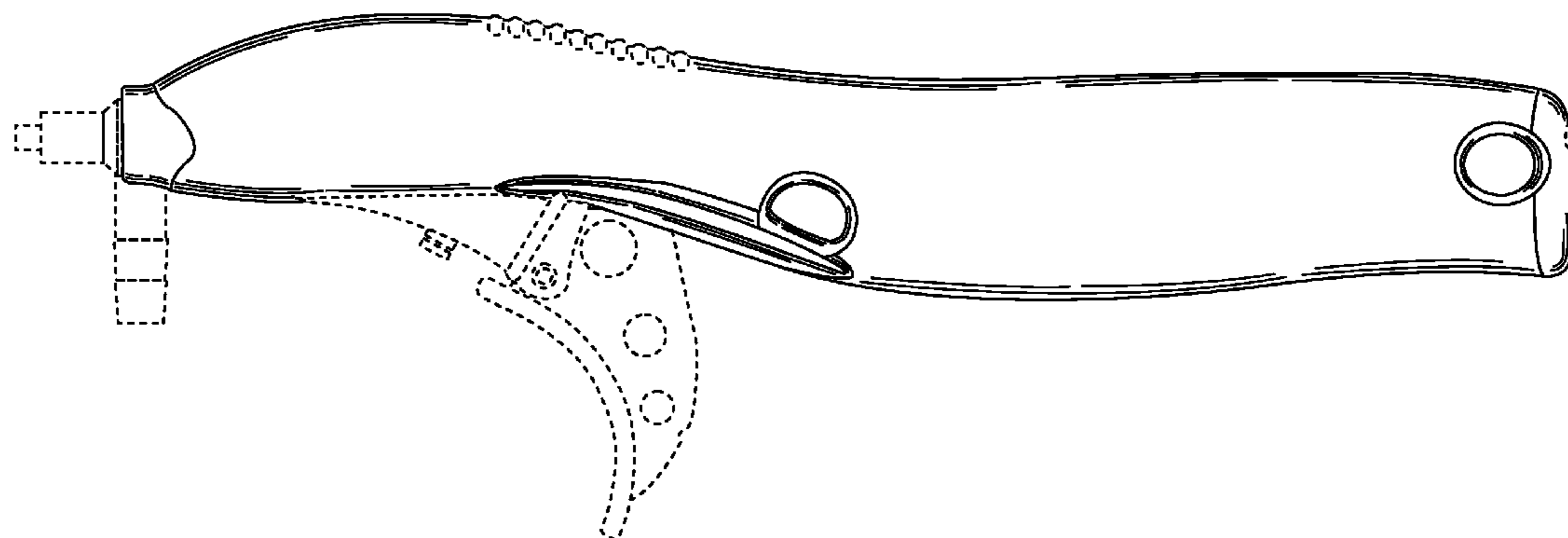
FIG. 5 is a top view of the implantable monitor delivery device handle;

FIG. 6 is a bottom view of the implantable monitor delivery device handle; and,

FIG. 7 is an orthogonal view of the implantable monitor delivery device handle.

The broken line showing of the trigger assembly, grip, nozzle, and other surface features is included for the purpose of illustrating portions of the implantable monitor delivery device handle and forms no part of the claimed design.

1 Claim, 4 Drawing Sheets



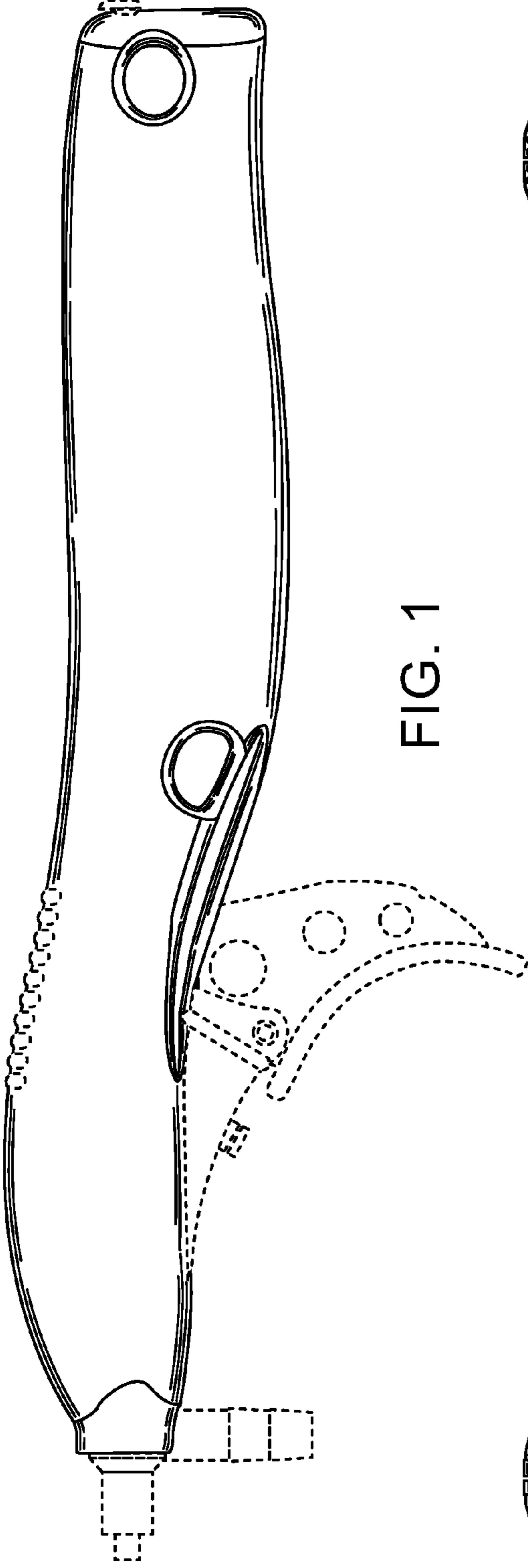


FIG. 1

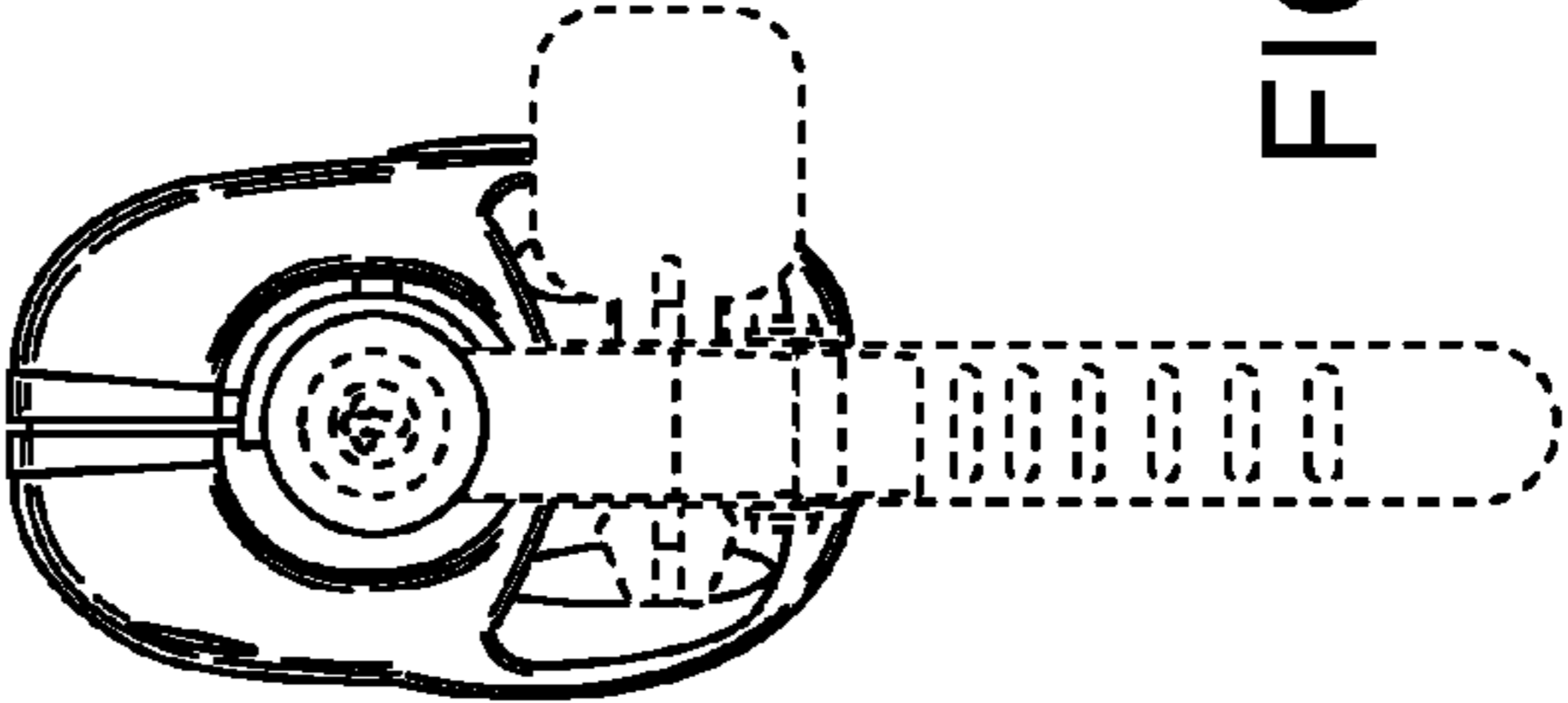


FIG. 2

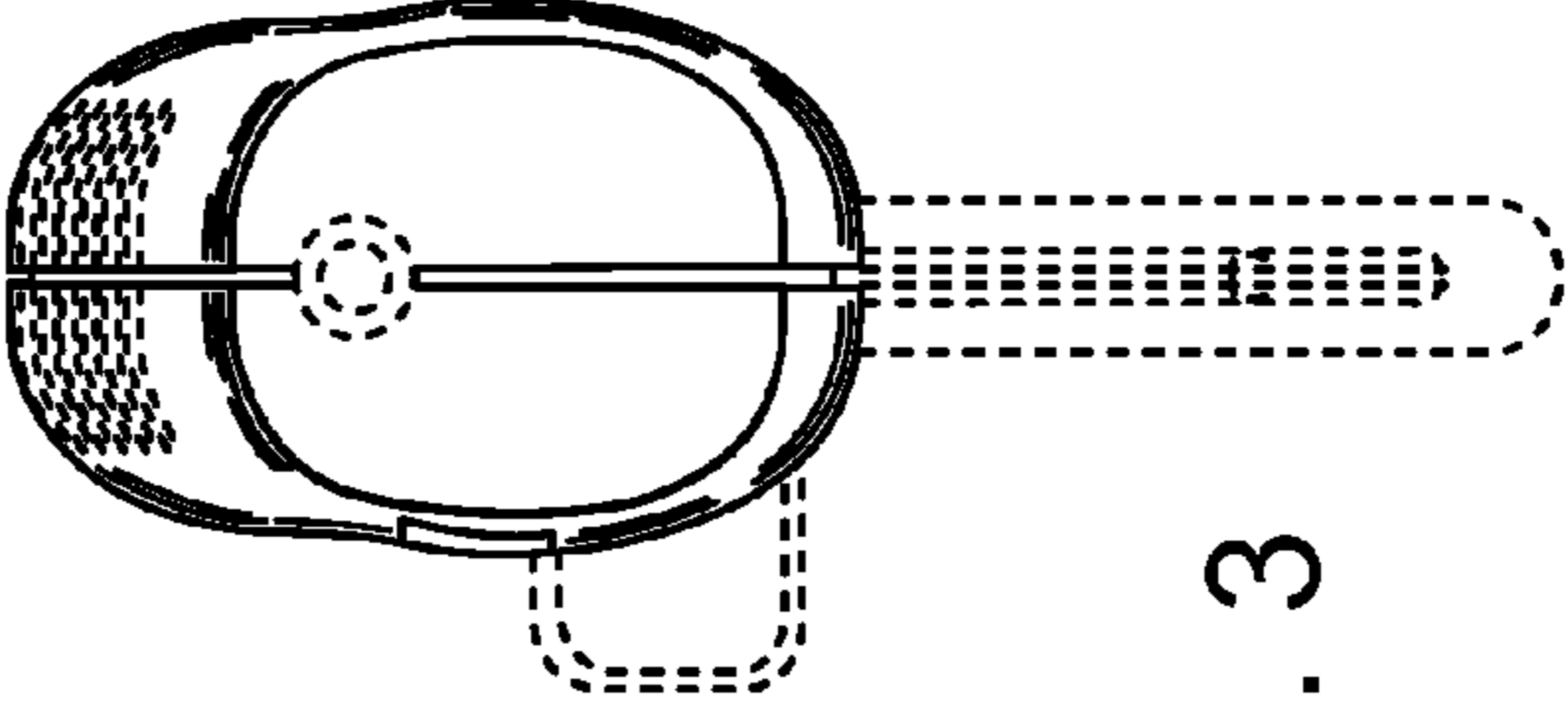


FIG. 3

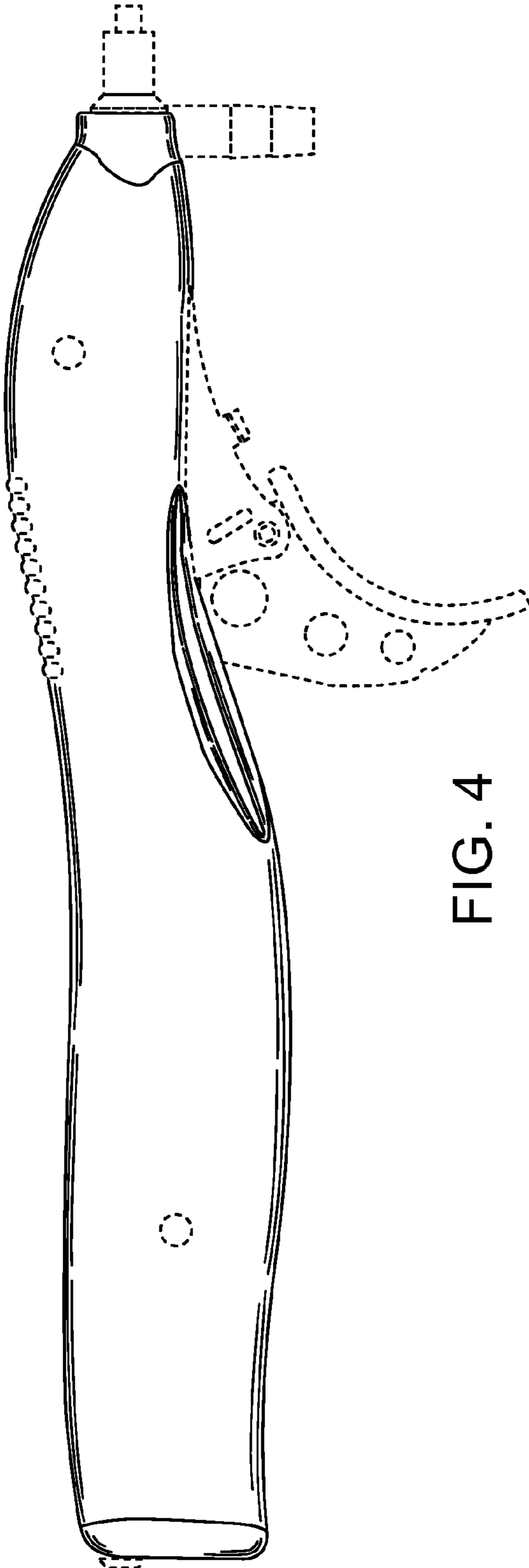


FIG. 4

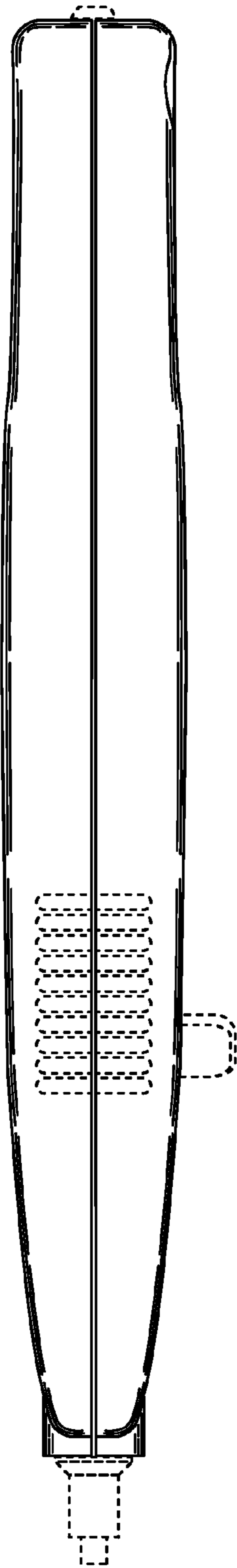


FIG. 5

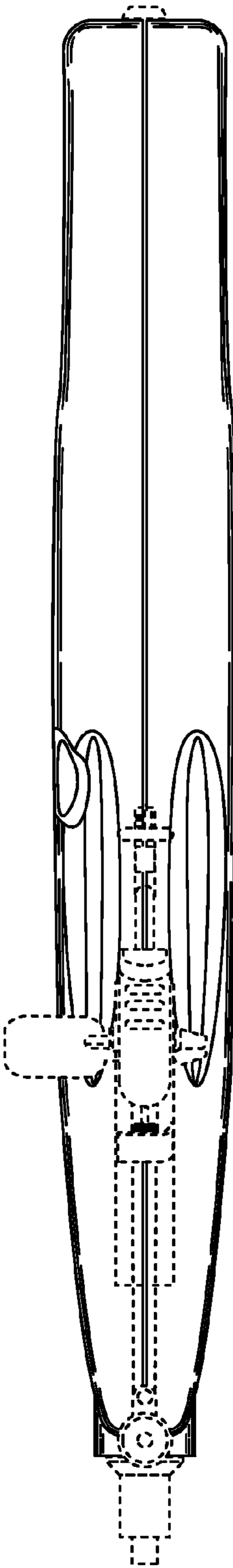


FIG. 6

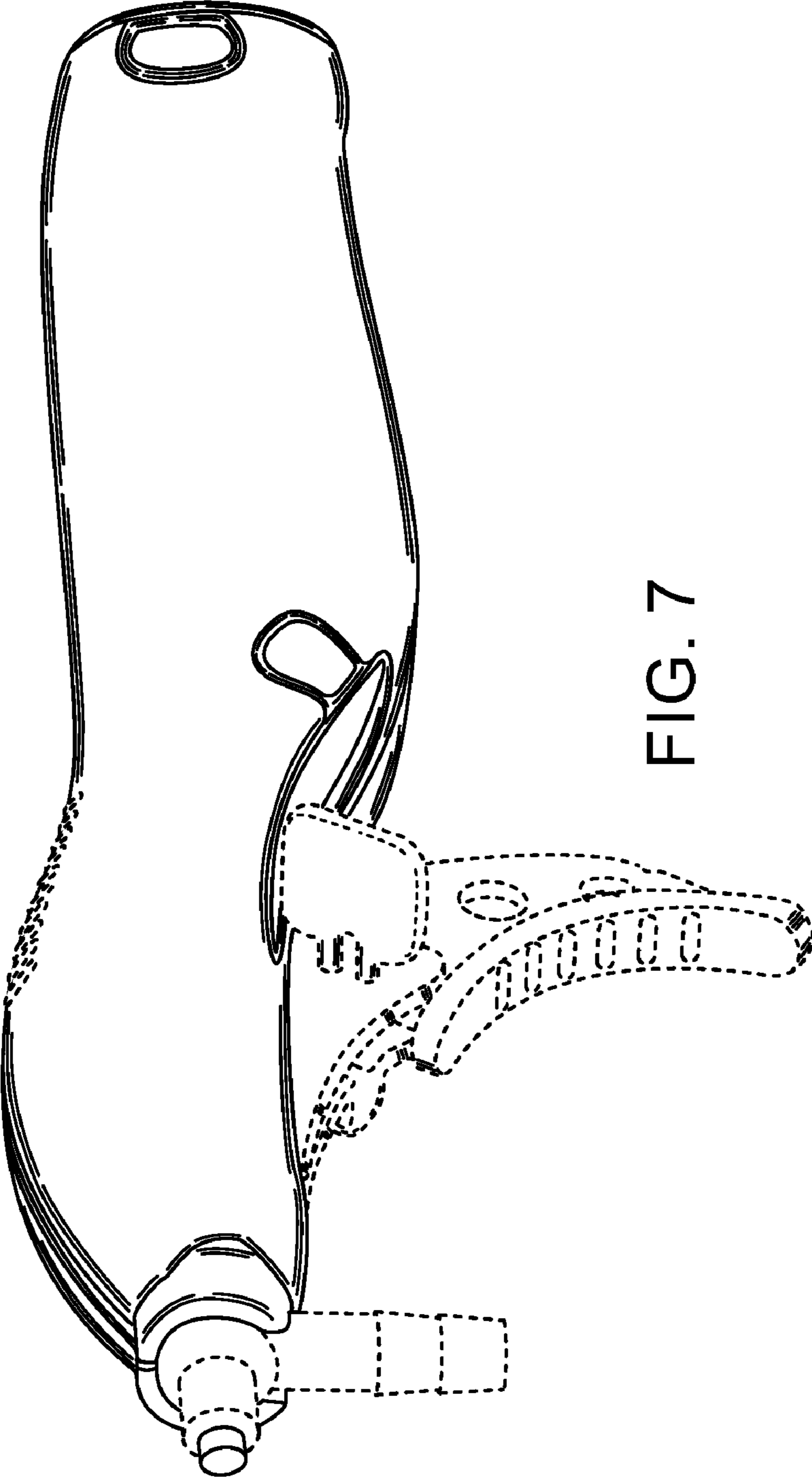


FIG. 7