



US00D622837S

(12) **United States Design Patent**
Falco

(10) **Patent No.:** **US D622,837 S**

(45) **Date of Patent:** **** *Aug. 31, 2010**

(54) **EARPLUG TIP**

FOREIGN PATENT DOCUMENTS

(75) Inventor: **Robert Nicolo Falco**, Indianapolis, IN
(US)

CA 18732 8/1952
EP 000568217 9/2006

(73) Assignee: **3M Innovative Properties Company**,
St. Paul, MN (US)

* cited by examiner

(**) Term: **14 Years**

Primary Examiner—Elizabeth A Albert
Assistant Examiner—Kelley A Donnelly
(74) *Attorney, Agent, or Firm*—Karl G. Hanson

(21) Appl. No.: **29/337,625**

(57) **CLAIM**

(22) Filed: **May 27, 2009**

I claim, the ornamental design for an earplug tip, as shown and described.

(51) **LOC (9) Cl.** **24-02**

(52) **U.S. Cl.** **D24/106**

(58) **Field of Classification Search** D24/106;
181/130, 135, 128–129; 128/864–865
See application file for complete search history.

DESCRIPTION

FIG. 1 is a perspective view of an earplug tip, showing my new design,

FIG. 2 is a first side elevation view thereof, the opposite side being a mirror image thereof;

FIG. 3 is a second side elevation view thereof, the opposite side being a mirror image thereof;

FIG. 4 is a top plan view thereof; and,

FIG. 5 is a bottom plan view thereof.

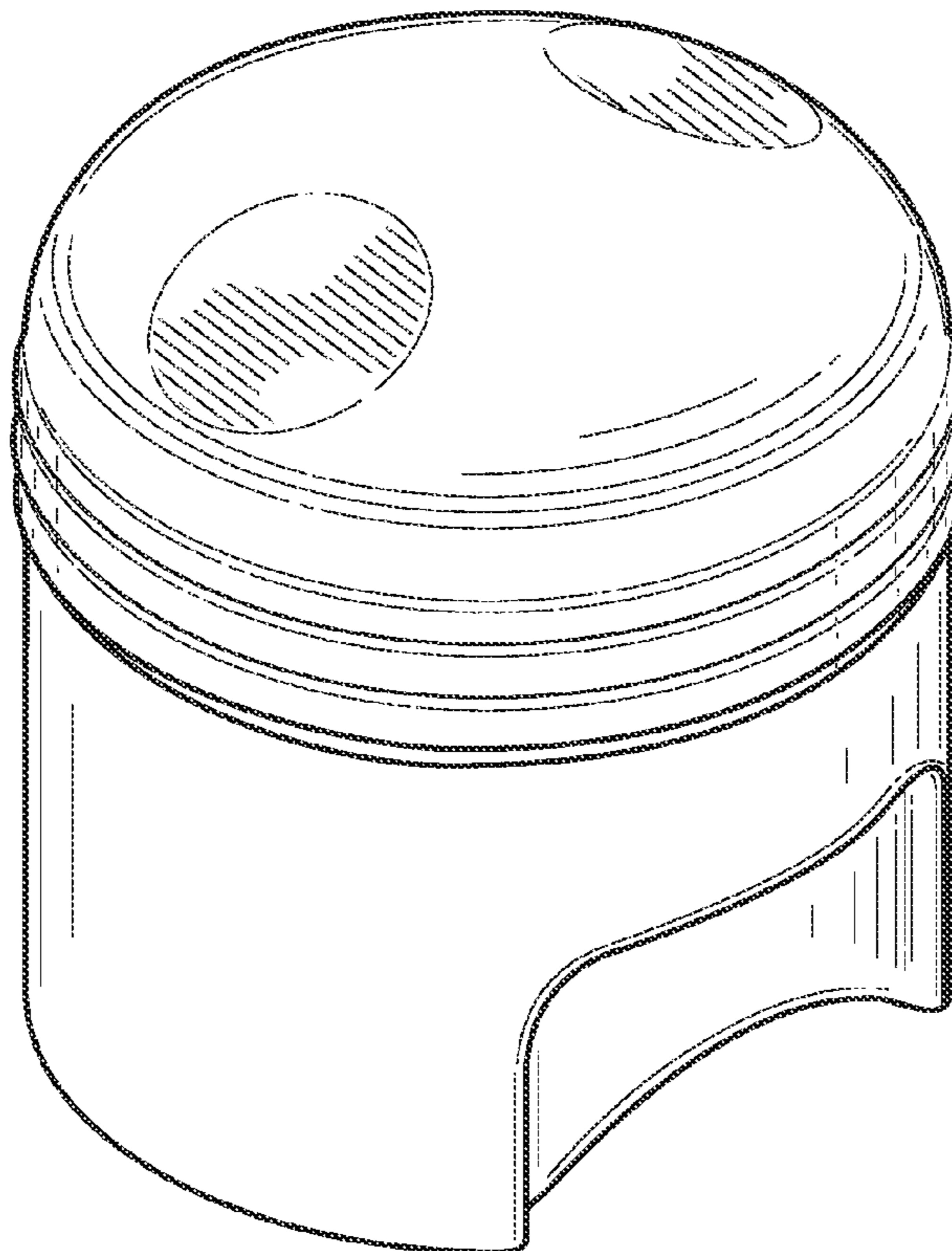
The broken line showing forms no part of the claimed design, and the surface shading is provided only to indicate contour.

(56) **References Cited**

U.S. PATENT DOCUMENTS

3,005,564	A	*	10/1961	Weichselbaum	215/353
D248,873	S	*	8/1978	Raitto	D24/130
D254,446	S	*	3/1980	Raitto	D24/130
D265,129	S		6/1982	Leight		
D267,512	S	*	1/1983	Carlsson et al.	D24/200
D444,141	S	*	6/2001	Koss et al.	D14/223
D521,637	S		5/2006	Yang		

1 Claim, 4 Drawing Sheets



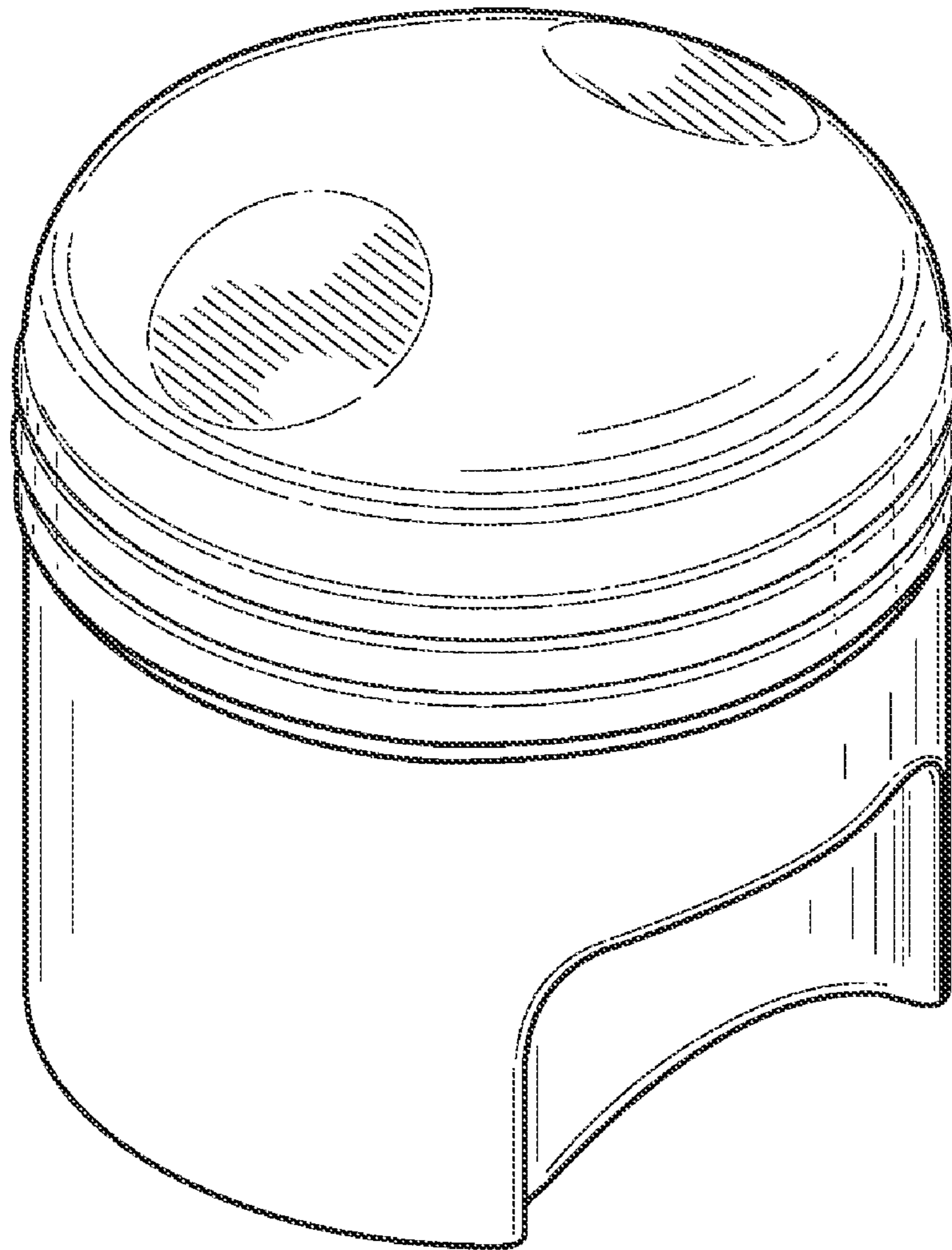


FIG. 1

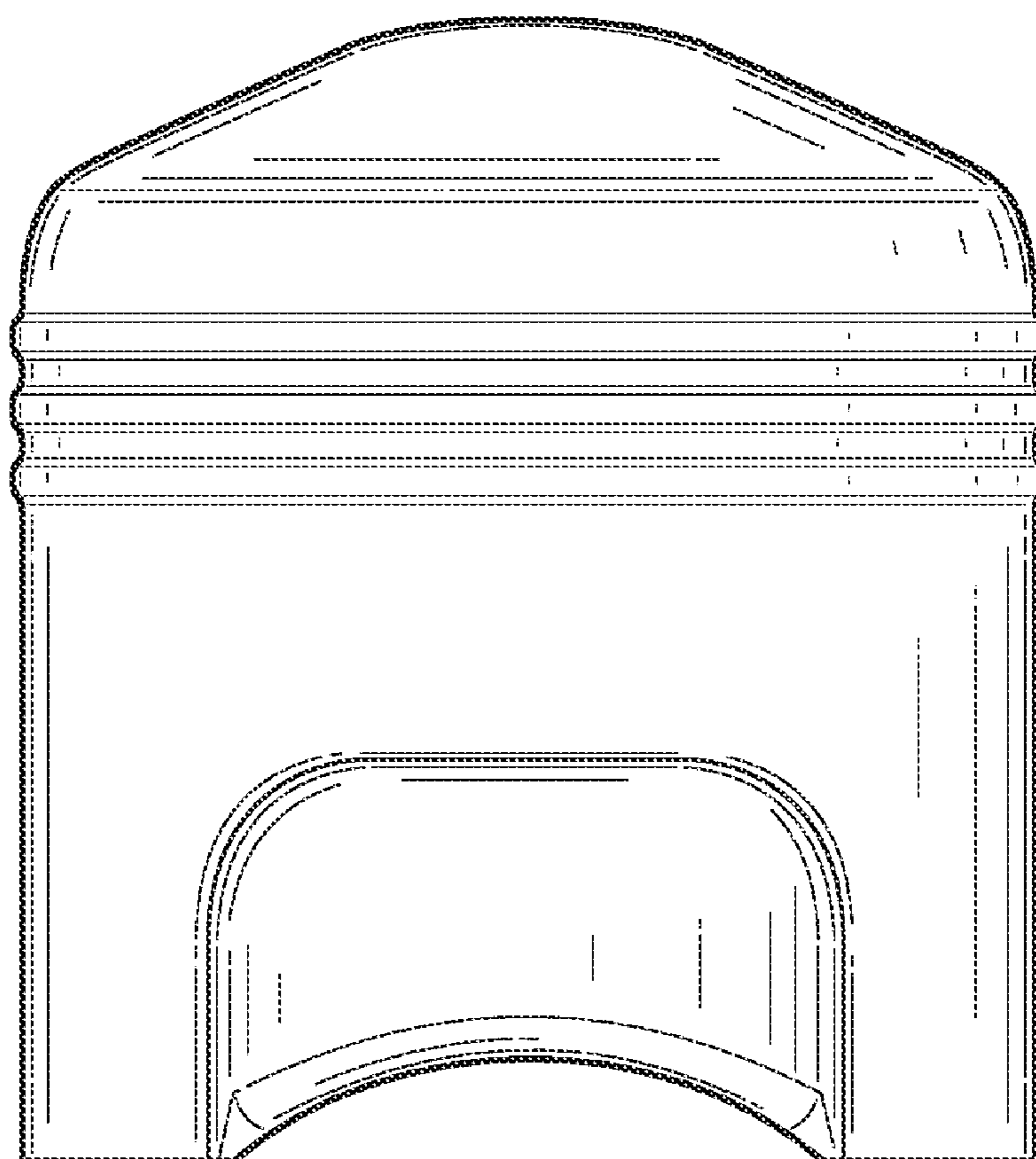


FIG. 2

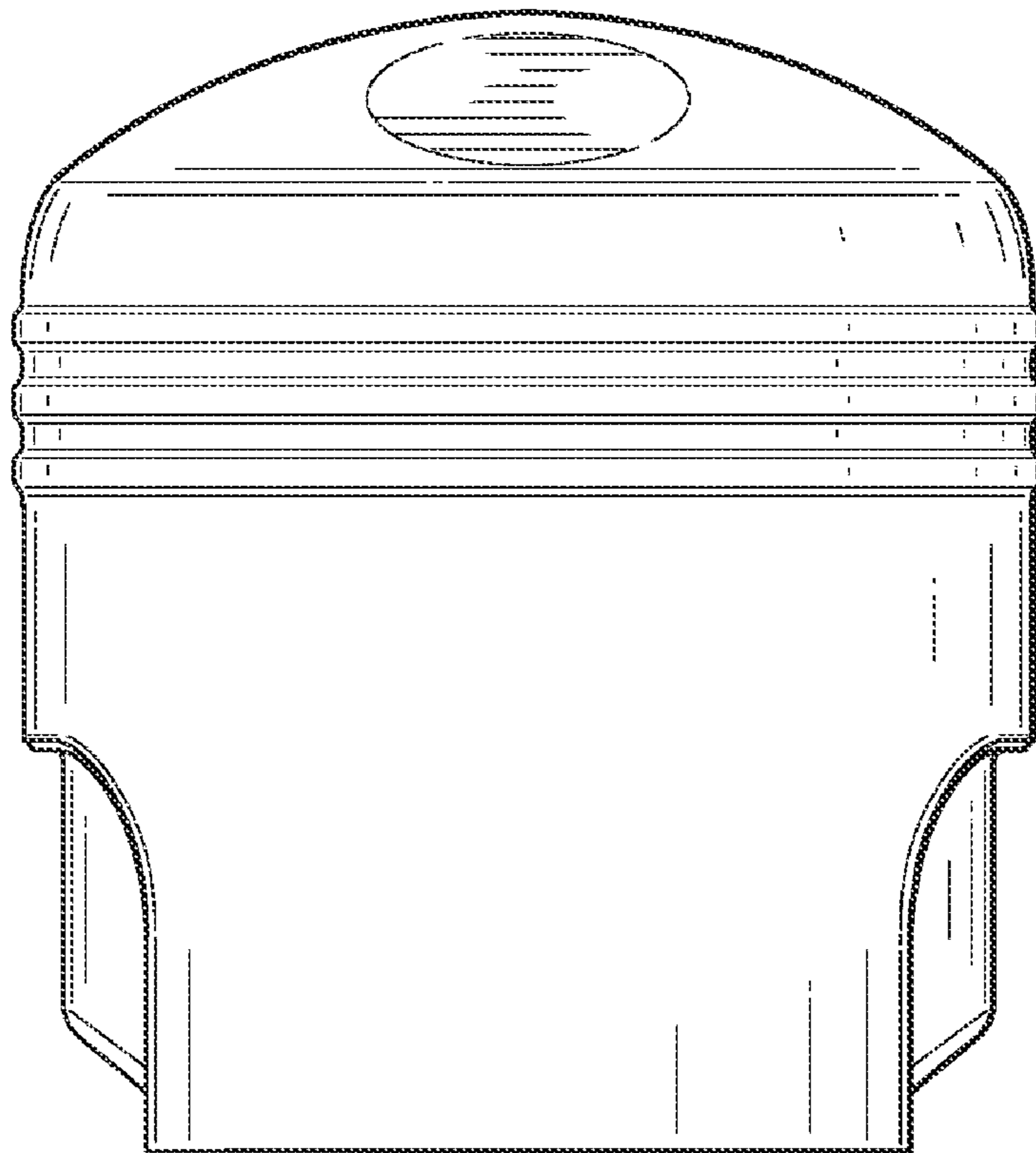


FIG. 3

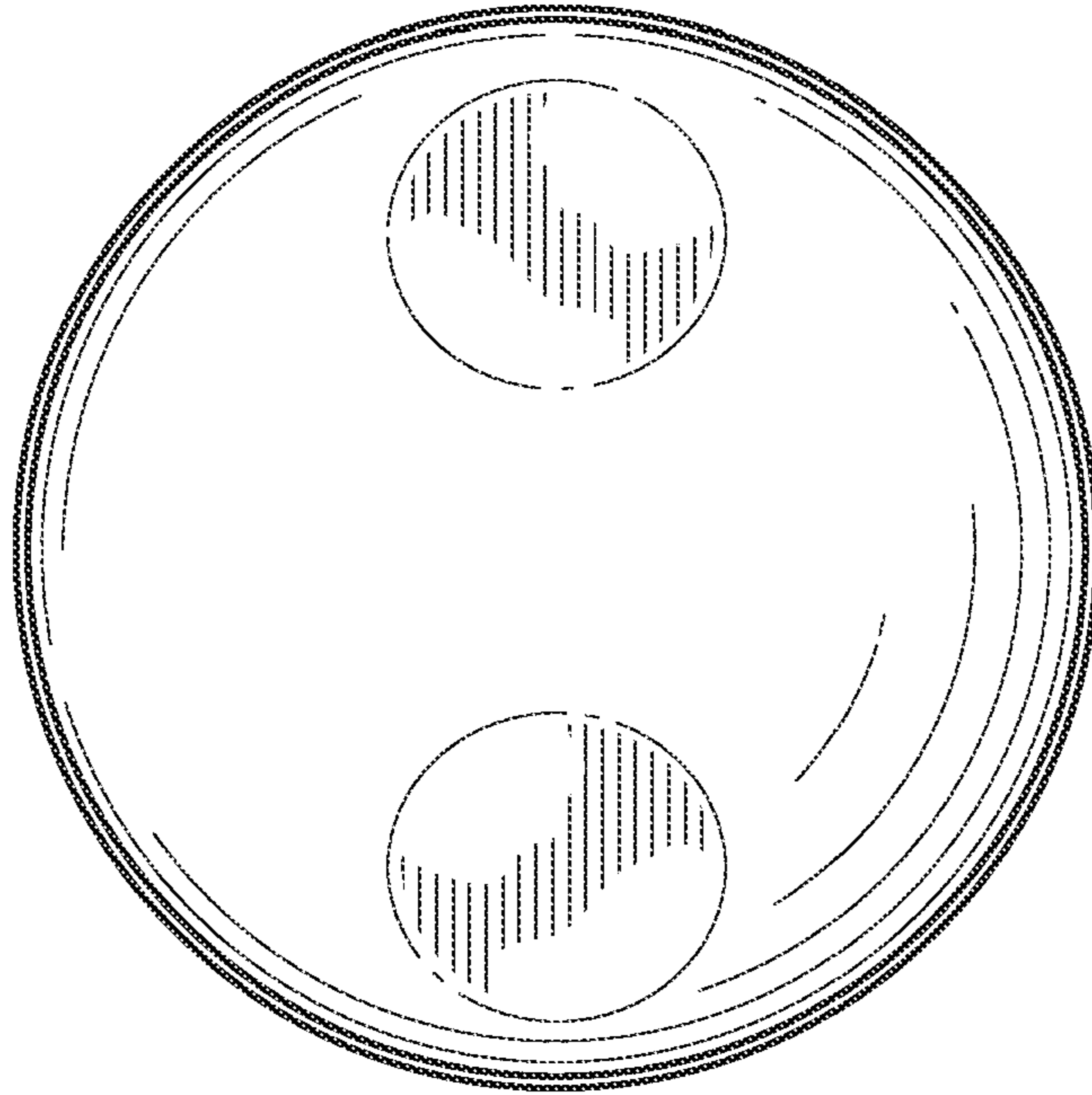


FIG. 4

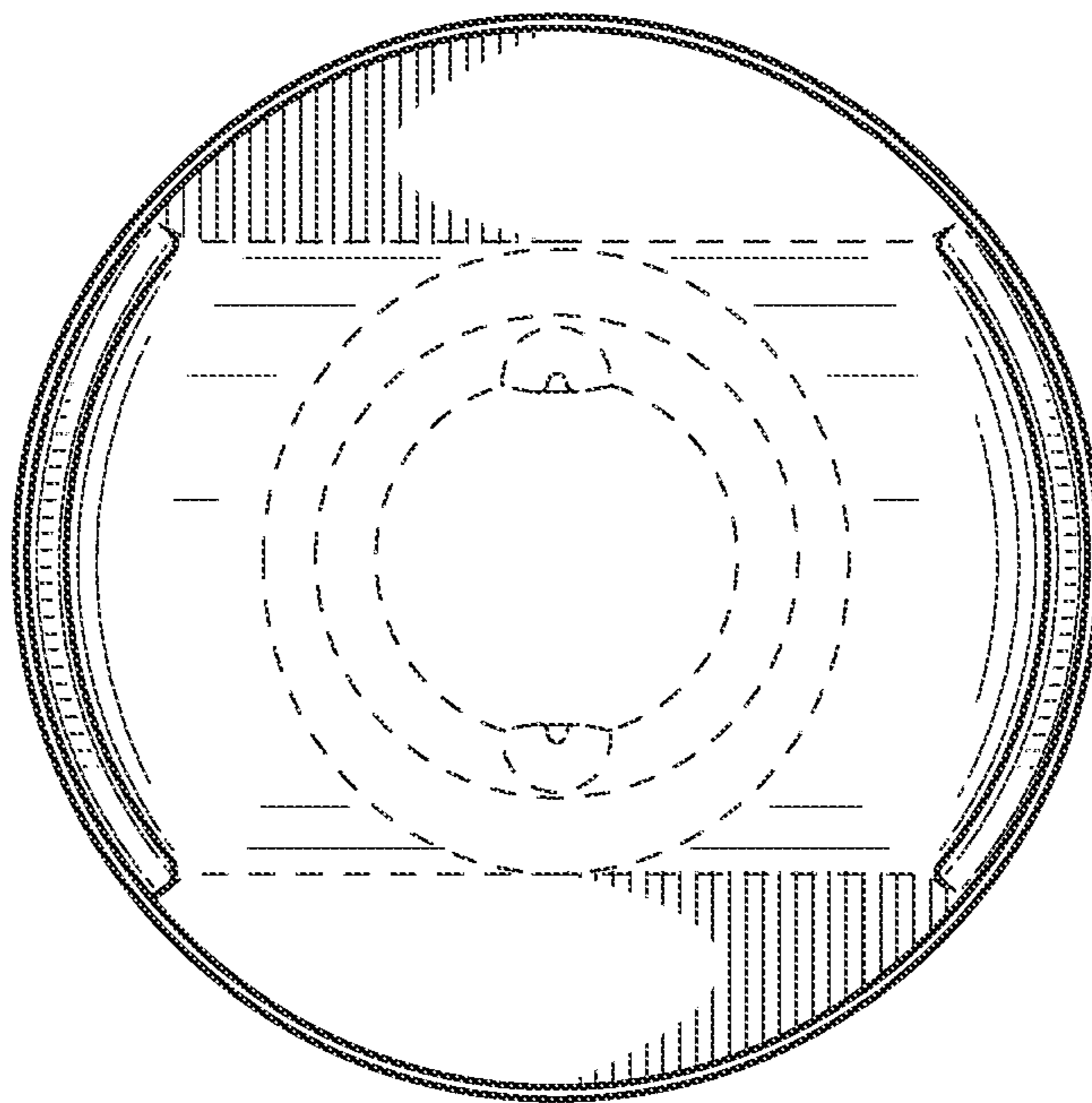


FIG. 5