



US00D622833S

(12) **United States Design Patent**
Gismervik

(10) **Patent No.:** **US D622,833 S**

(45) **Date of Patent:** **** Aug. 31, 2010**

(54) **LEVEL SENSOR AND HEATING UNIT**

(75) **Inventor:** **Øystein Gismervik**, Fyllingsdalen (NO)

(73) **Assignee:** **Wema-System AS**, Laksevag (NO)

(**) **Term:** **14 Years**

(21) **Appl. No.:** **29/335,745**

(22) **Filed:** **Apr. 21, 2009**

(51) **LOC (9) Cl.** **23-03**

(52) **U.S. Cl.** **D23/316; D10/101**

(58) **Field of Classification Search** D23/323,
D23/314, 316, 322, 321; D15/7; 392/308,
392/341; 219/628, 630; D10/101, 102, 103
See application file for complete search history.

(56) **References Cited**

U.S. PATENT DOCUMENTS

1,190,289	A *	7/1916	Herz	392/481
1,522,992	A *	1/1925	Abbott	219/538
2,070,635	A *	2/1937	White	219/525
D139,313	S *	10/1944	Landerman	D23/323
2,902,581	A *	9/1959	Stiebel	219/513
4,527,533	A *	7/1985	Laramee	123/557
4,617,456	A *	10/1986	Richards et al.	219/523

D350,297	S *	9/1994	Weisel	D10/103
D387,295	S *	12/1997	Krikorian	D10/101
D397,630	S *	9/1998	Clifton	D10/101
D415,264	S *	10/1999	Thweatt, Jr.	D23/323
D537,743	S *	3/2007	Liu	D10/101

* cited by examiner

Primary Examiner—T. Chase Nelson

Assistant Examiner—Ania K Dworzecka

(74) *Attorney, Agent, or Firm*—Fredrikson & Byron, P.A.

(57) **CLAIM**

The ornamental design for a level sensor and heating unit, as shown and described.

DESCRIPTION

FIG. 1 is a front perspective view of a level sensor and heating unit showing my new design,

FIG. 2 is a left side elevation view thereof;

FIG. 3 is a top plan view thereof; and,

FIG. 4 is a front elevation view.

In the drawings, the broken lines shown in the Figures depict unclaimed subject matter only and form no part of the claimed design.

1 Claim, 4 Drawing Sheets

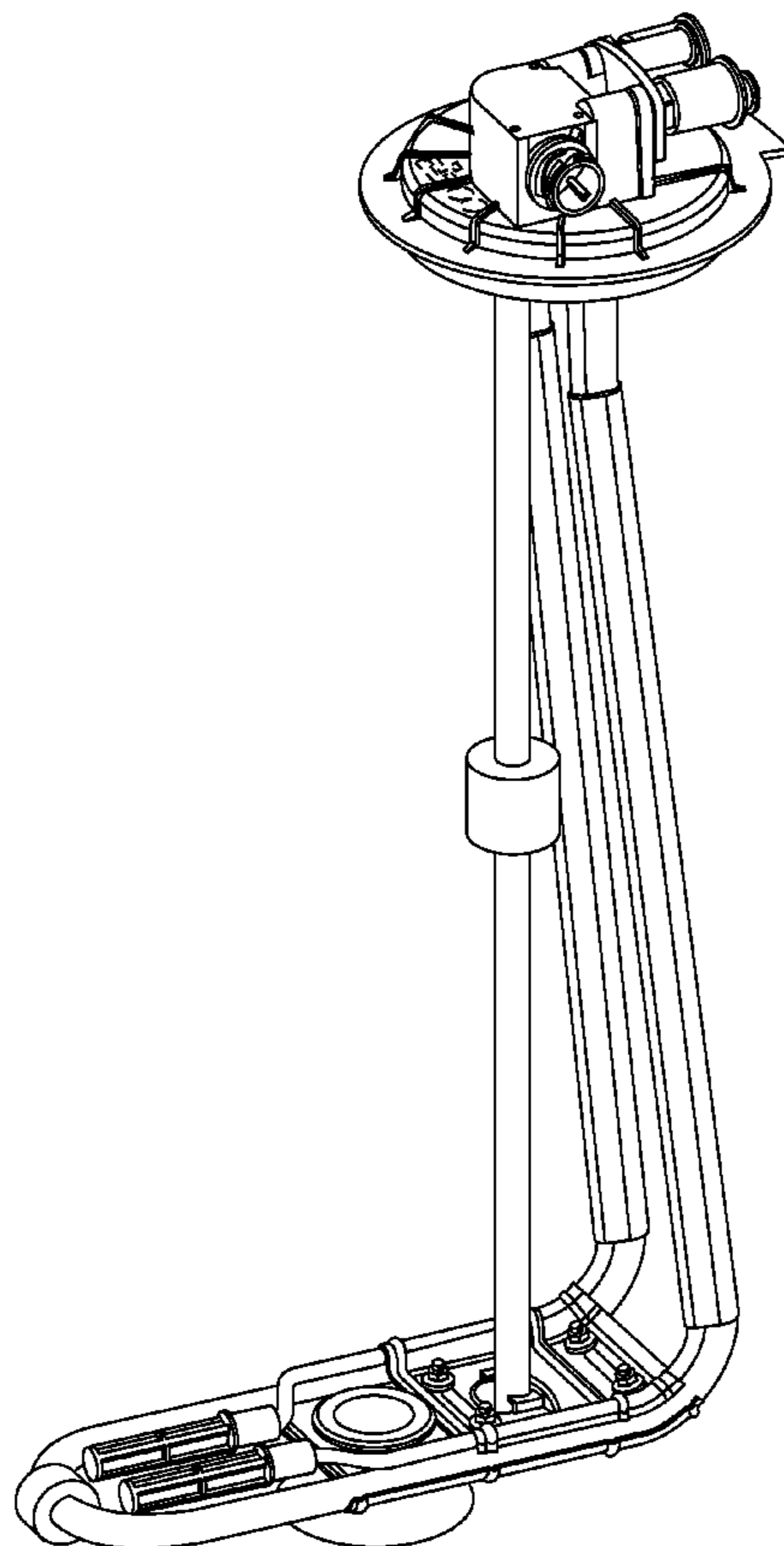


Fig. 1

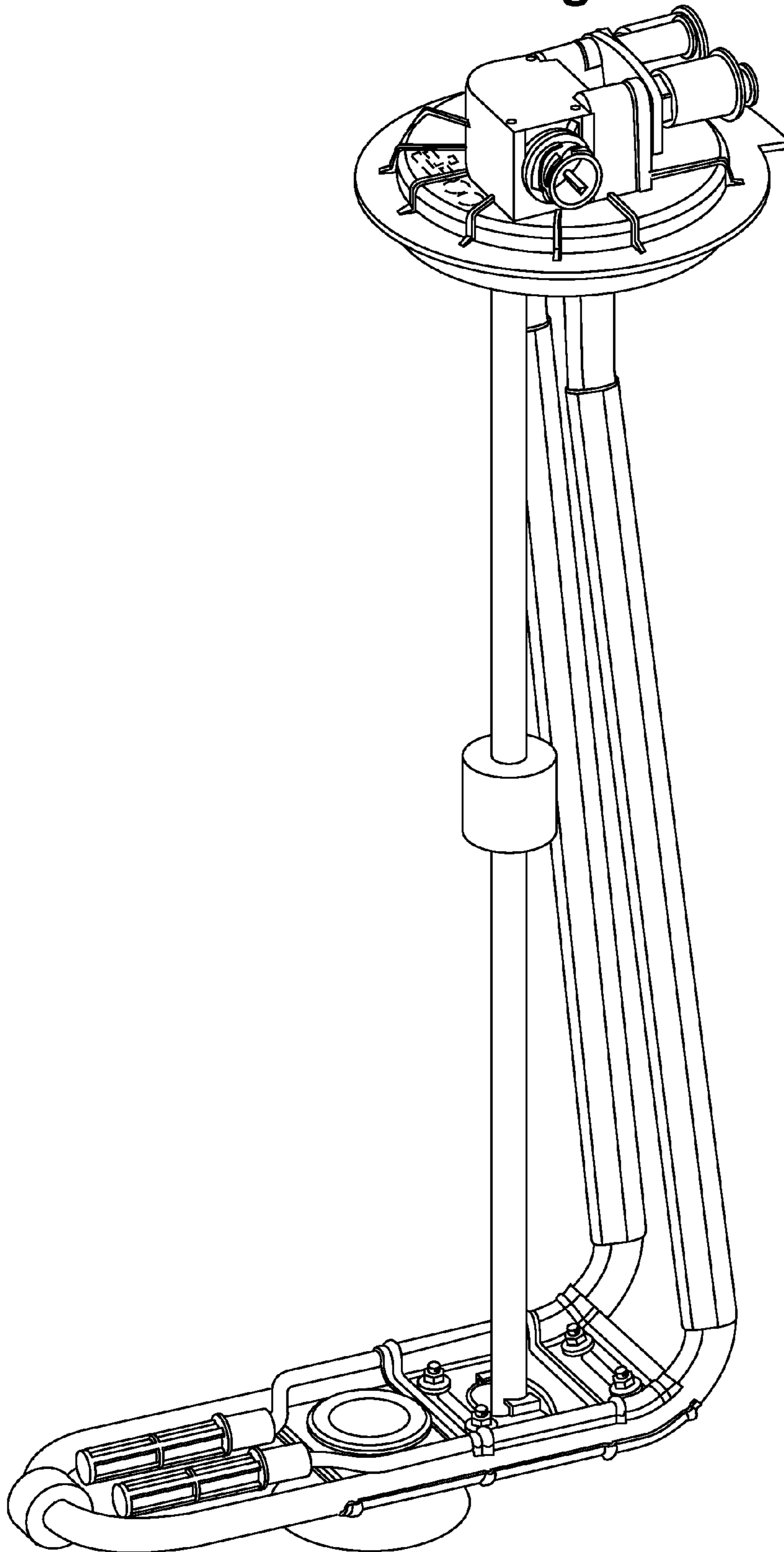


Fig. 2

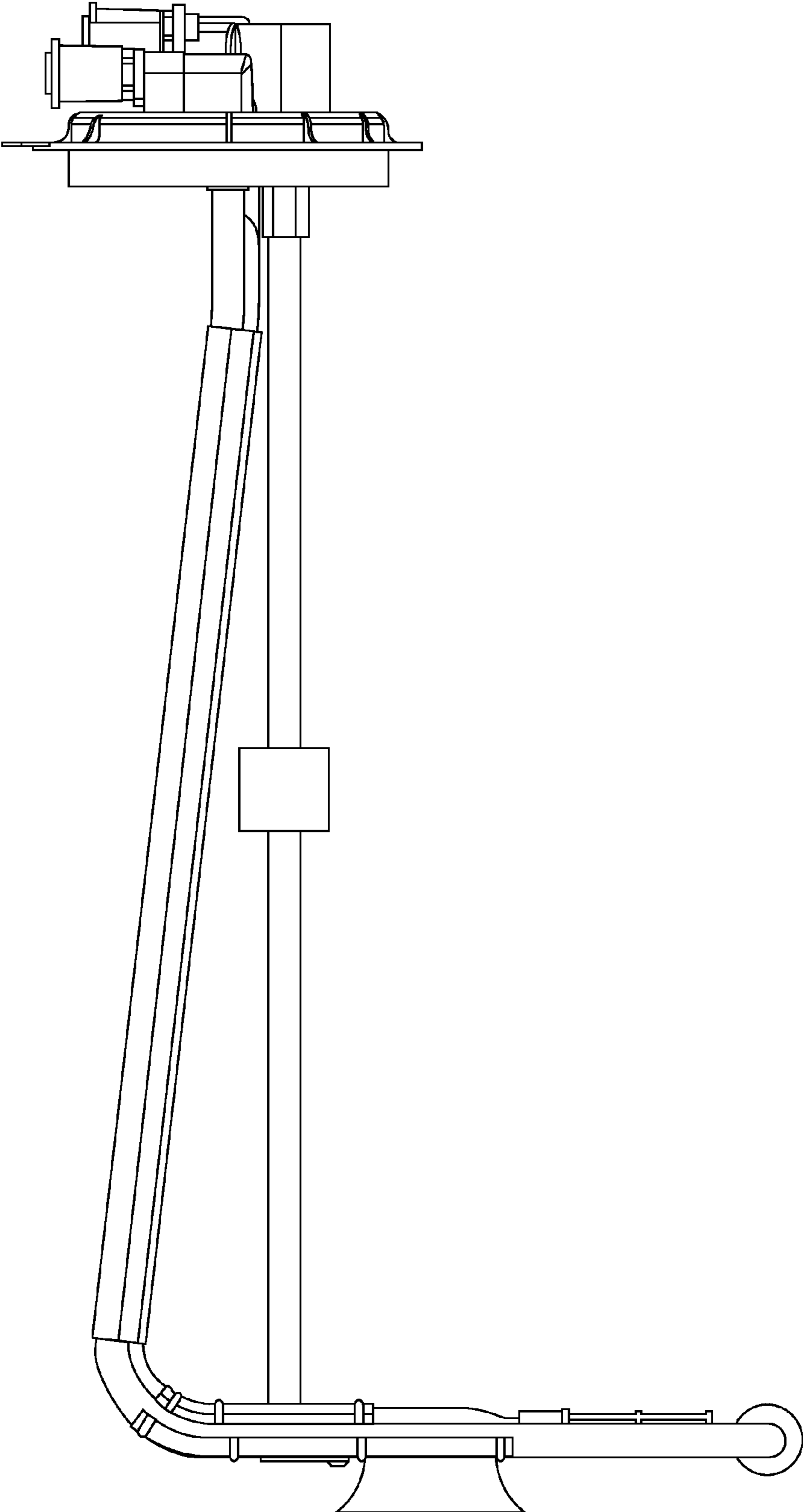


Fig. 3

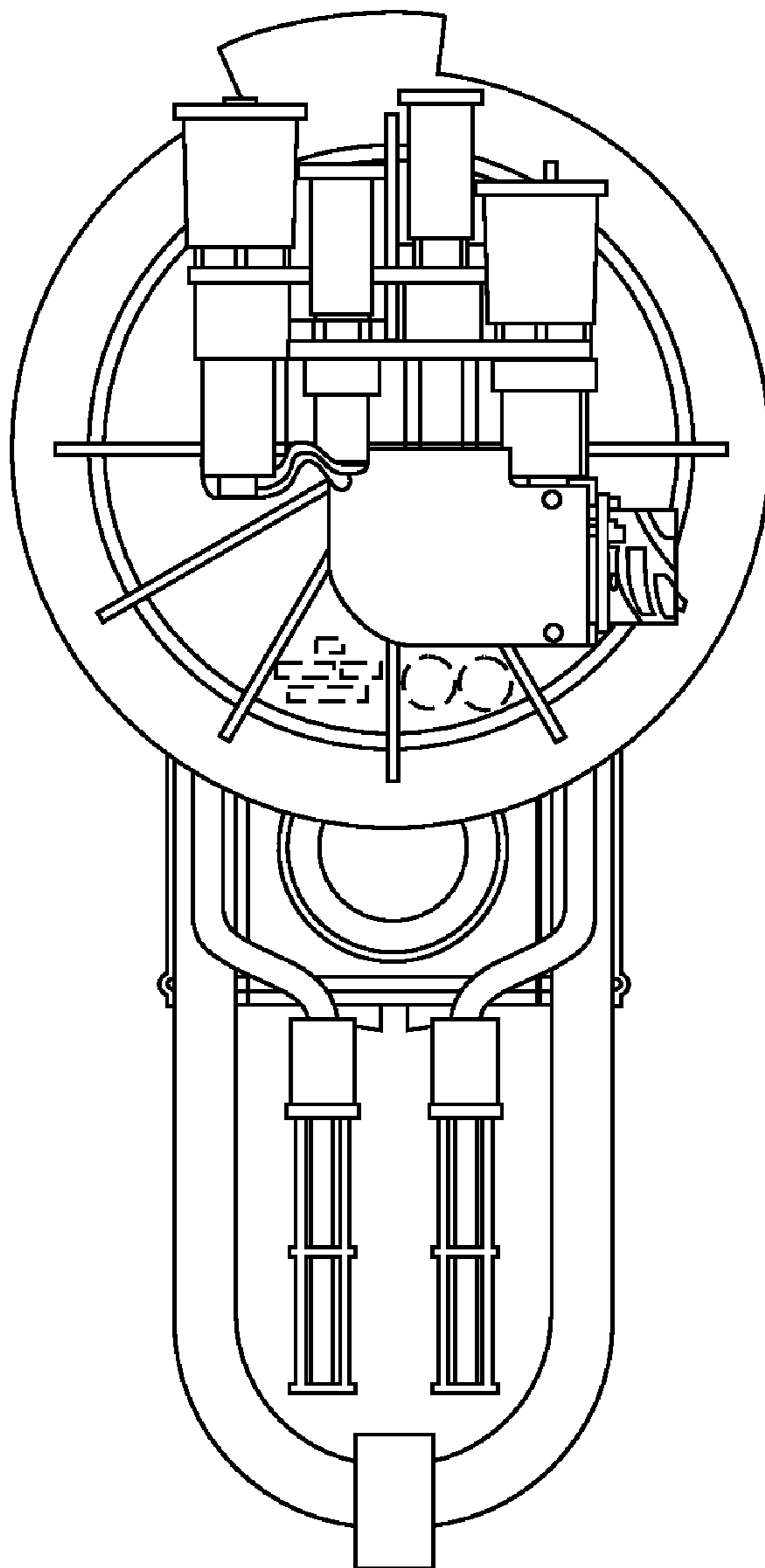


Fig. 4

