



US00D622830S

(12) **United States Design Patent**
Barnard

(10) **Patent No.:** **US D622,830 S**

(45) **Date of Patent:** **** Aug. 31, 2010**

(54) **SHOWERHEAD SUPPORT**

(75) Inventor: **Jennifer E. Barnard**, Godalming (GB)

(73) Assignee: **Kohler Mira, Ltd.**, Cheltenham (GB)

(**) Term: **14 Years**

(21) Appl. No.: **29/333,904**

(22) Filed: **Mar. 17, 2009**

(30) **Foreign Application Priority Data**

Sep. 17, 2008 (EM) 001004196

(51) **LOC (9) Cl.** **23-02**

(52) **U.S. Cl.** **D23/304**

(58) **Field of Classification Search** D23/303,
D23/304, 228; 4/570, 568, 596, 601, 605
See application file for complete search history.

(56) **References Cited**

U.S. PATENT DOCUMENTS

D296,582 S *	7/1988	Haug et al.	D23/304
5,481,765 A *	1/1996	Wang	4/605
6,473,916 B2 *	11/2002	Schiødt	4/567
D493,864 S *	8/2004	Haug et al.	D23/213
D517,180 S *	3/2006	Chan	D23/304
D519,193 S *	4/2006	Chan	D23/304
D578,622 S *	10/2008	Kollmann	D23/304

OTHER PUBLICATIONS

“ECX cutting board”. Amazon.com online catalog.
The Furniture.com “Dream Line Shower Enclosures”. The Furniture.com online catalog.
Ondine. “Showerhead hanger”. Moden No. 28079.

Triton. “T220 Shower Booter”. Triton catalog p. 7.

* cited by examiner

Primary Examiner—Robin V Webster

(74) *Attorney, Agent, or Firm*—Quarles & Brady LLP

(57) **CLAIM**

The ornamental design for a showerhead support, as shown and described.

DESCRIPTION

FIG. 1 is a right, top, front perspective view of a showerhead support according to my new design;

FIG. 2 is a top plan view thereof;

FIG. 3 is a front elevational view thereof;

FIG. 4 is a right side elevational view thereof, the left side elevational view thereof being a mirror image of the right side shown;

FIG. 5 is a bottom plan view thereof;

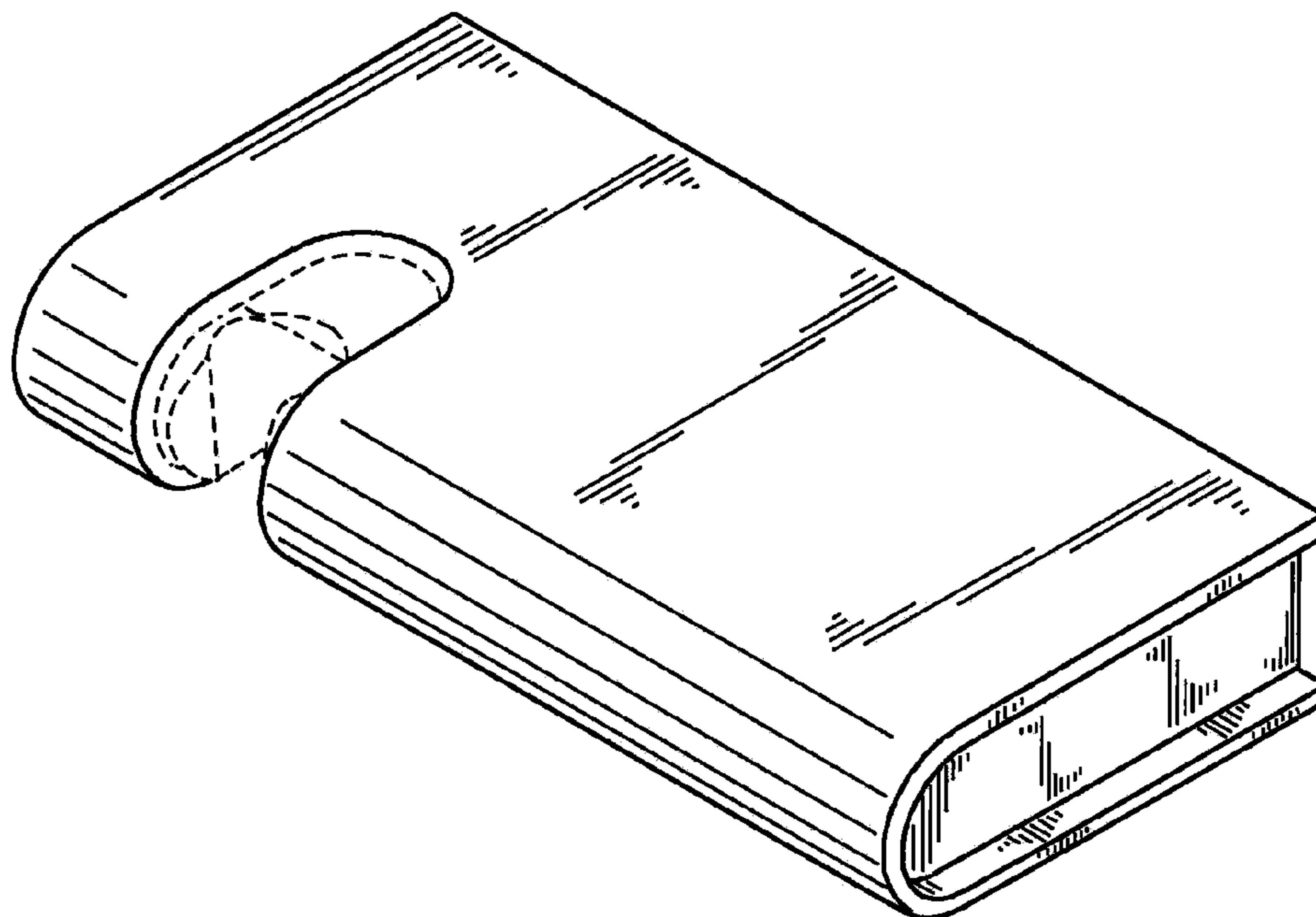
FIG. 6 is a rear elevational view thereof; and,

FIG. 7 is a left, top, front perspective view of a showerhead support according to another embodiment of my new design, the various views thereof being mirror images of the views shown in FIGS. 2-6.

The broken line representations in the figures are for the purpose of illustration only, and form no part of the claimed design.

In a preferred embodiment, the nature of this product is a wall-mountable support shelf for supporting a showerhead, such as a hand shower, useful for washing the human body.

1 Claim, 3 Drawing Sheets



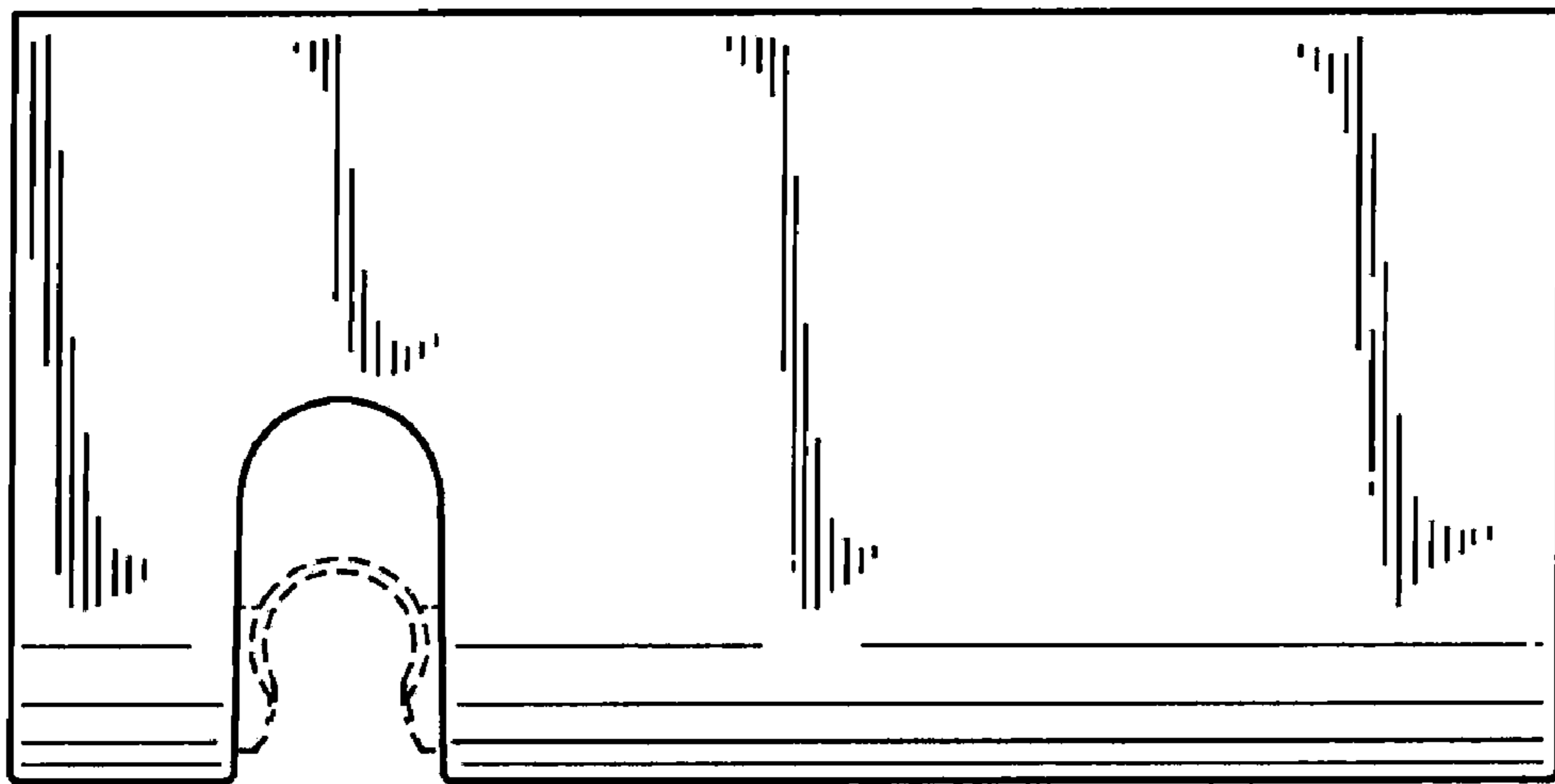
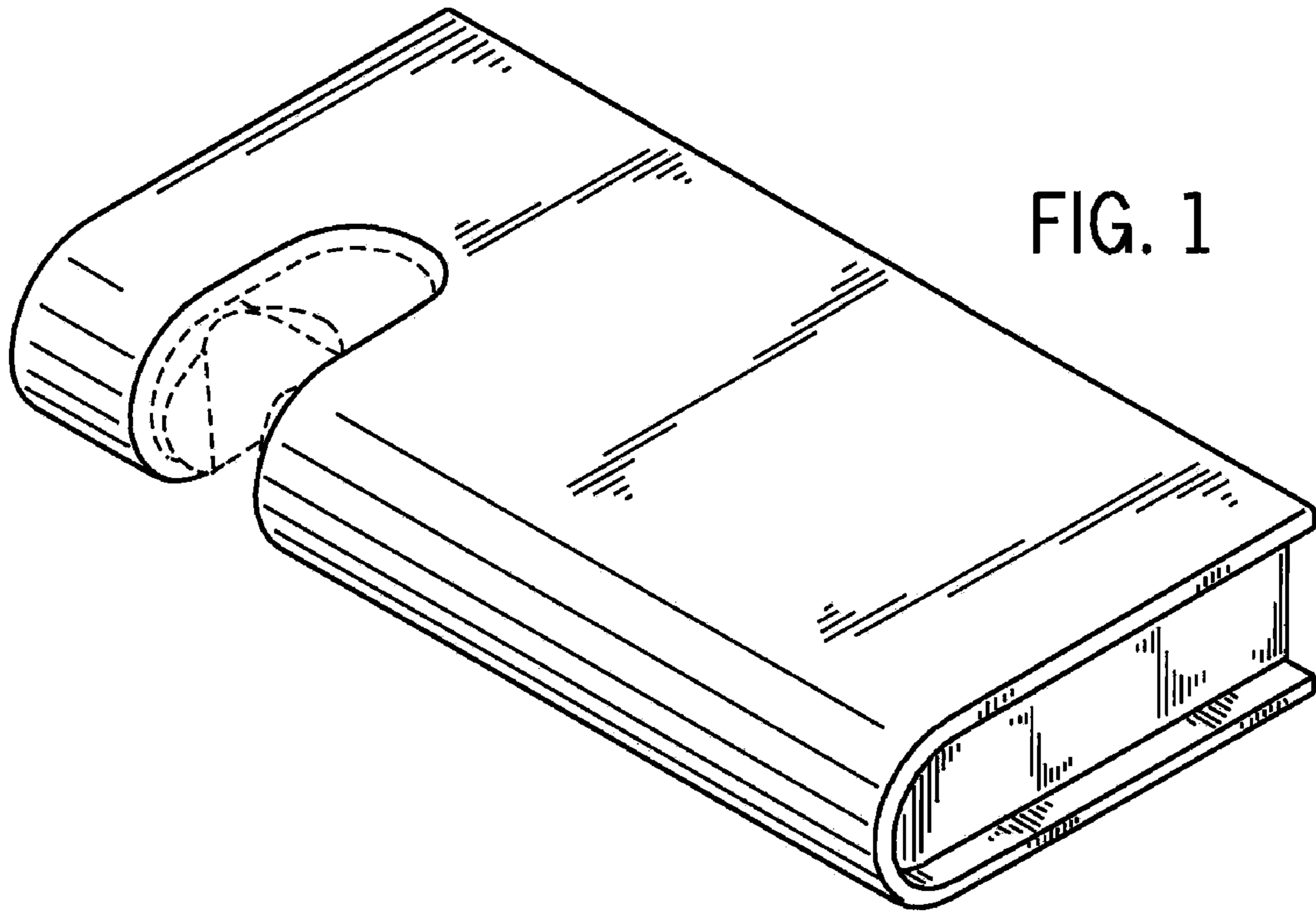


FIG. 3

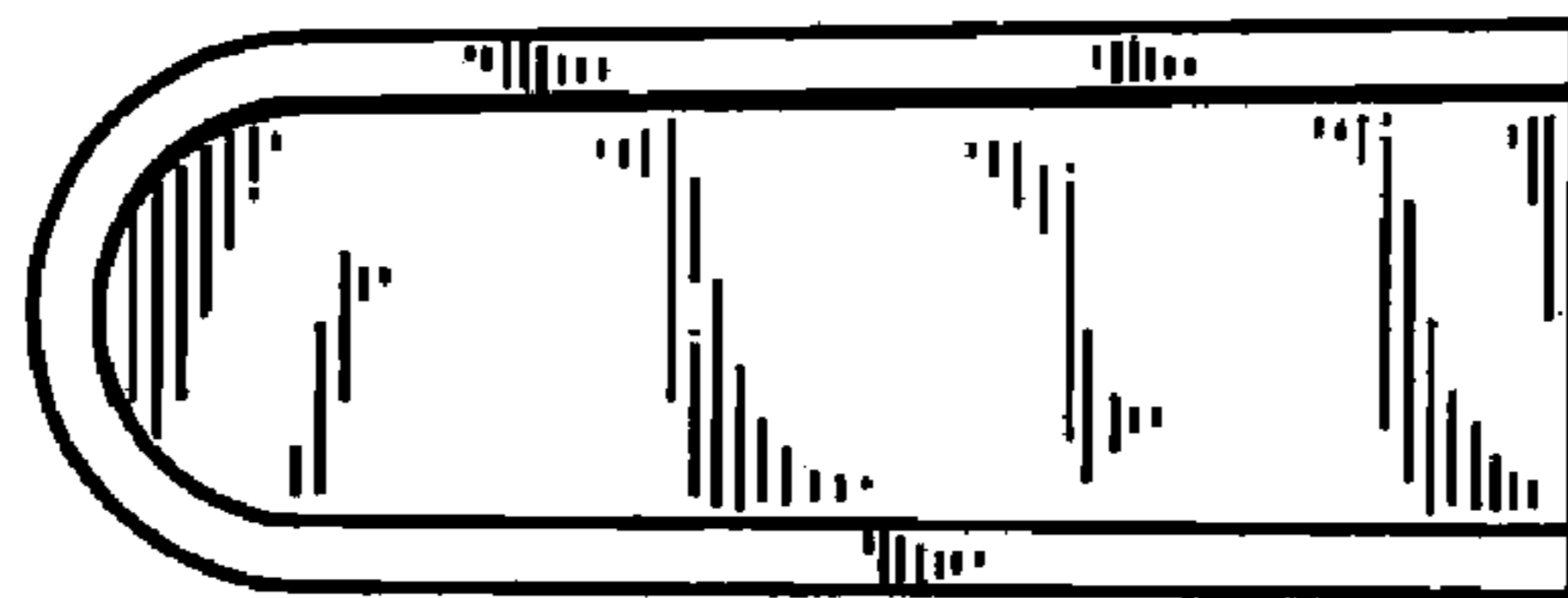
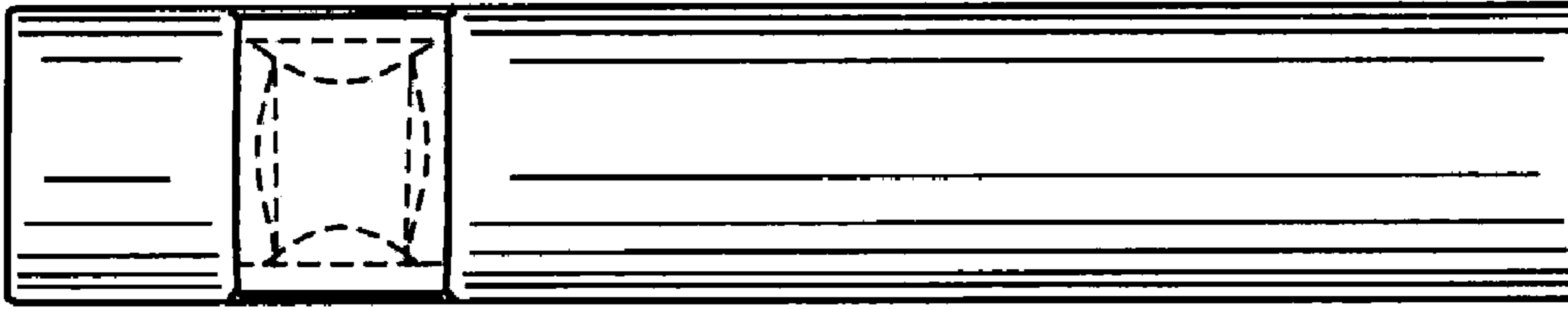


FIG. 4

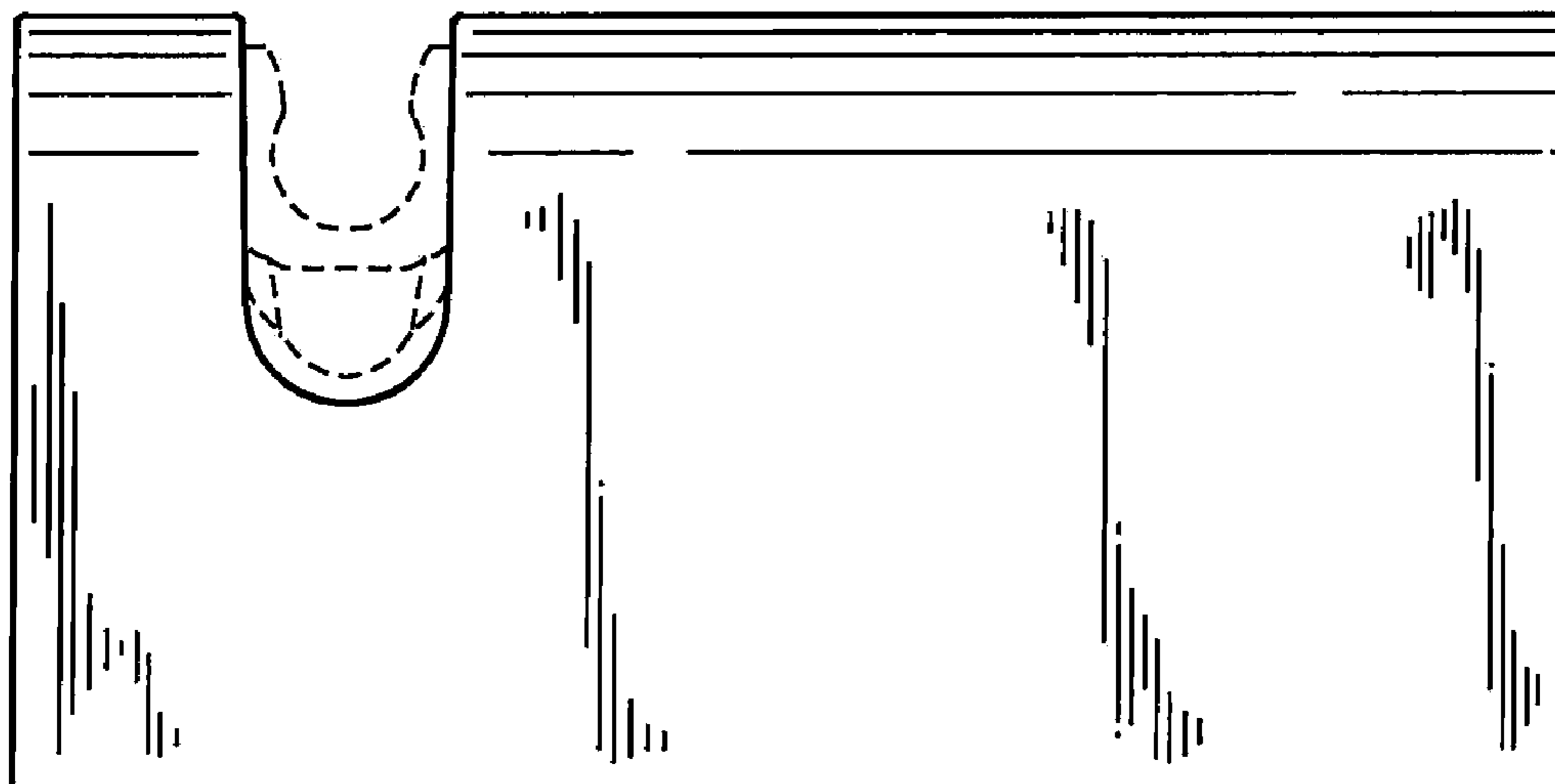


FIG. 5

FIG. 6

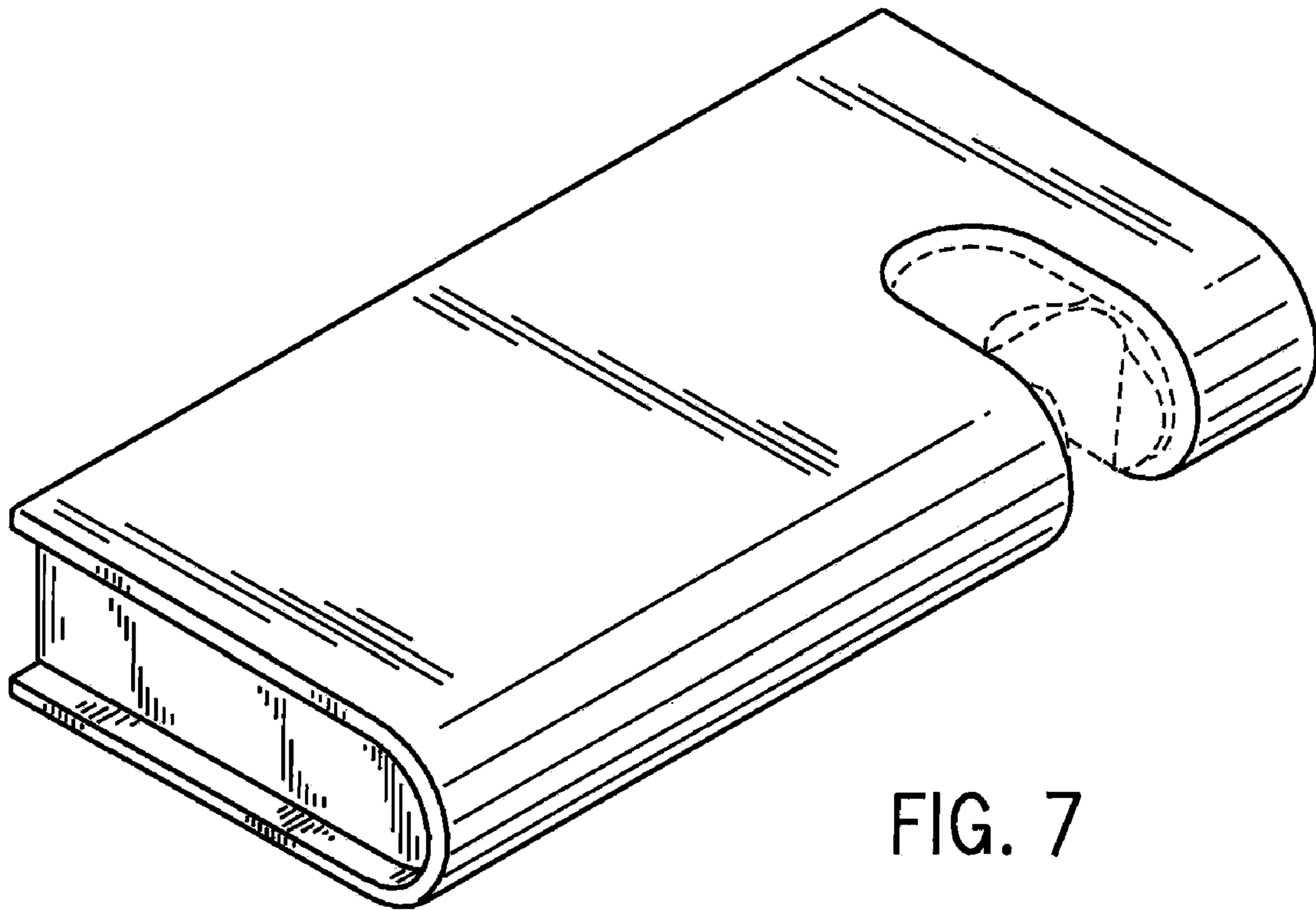


FIG. 7