



US00D622825S

(12) **United States Design Patent**  
**LeTourneau et al.**

(10) **Patent No.:** **US D622,825 S**

(45) **Date of Patent:** **\*\* Aug. 31, 2010**

(54) **LAVATORY**

(75) Inventors: **Alexander V. LeTourneau**, Hong Kong (HK); **Rafael Rexach**, Sheboygan, WI (US)

(73) Assignee: **Kohler Co.**, Kohler, WI (US)

(\*\*) Term: **14 Years**

(21) Appl. No.: **29/345,784**

(22) Filed: **Oct. 22, 2009**

(51) **LOC (9) Cl.** ..... **23-02**

(52) **U.S. Cl.** ..... **D23/284**

(58) **Field of Classification Search** ..... D23/284–285, D23/293.1, 308; 4/619, 631, 650, 660  
See application file for complete search history.

(56) **References Cited**

**U.S. PATENT DOCUMENTS**

D394,496 S	5/1998	Cuttriss	
D468,413 S *	1/2003	McKeone	D23/308
D545,412 S *	6/2007	Lin et al.	D23/293.1
D545,417 S *	6/2007	Tani et al.	D23/293.1
D563,536 S *	3/2008	Kergoet et al.	D23/293.1
D612,025 S *	3/2010	Tanus	D23/293.1

**OTHER PUBLICATIONS**

Toto, "Soiree Collection", Soiree 27.5" Self Rimming Lavatory Sink with Single Faucet Hole. Model No. LT963. FaucetDirect.com online catalog. Copyright 2000-2009 improvement Direct, Inc.

Kohler Co. "Cimarron Lavatory Basin", Model No. K2363-4. Kohler.com online catalog. Copyright 2009 Kohler Co.

\* cited by examiner

*Primary Examiner*—Robert A Delehanty

(74) *Attorney, Agent, or Firm*—Quarles & Brady LLP

(57) **CLAIM**

The ornamental design for a lavatory, as shown and described.

**DESCRIPTION**

FIG. 1 is a top, left, front perspective view of a lavatory embodying our new design;

FIG. 2 is a top plan view thereof;

FIG. 3 is a front elevational view thereof;

FIG. 4 is a left side elevational view thereof, the right side elevational view thereof is a mirror image of the left side shown;

FIG. 5 is a rear elevational view thereof; and,

FIG. 6 is bottom plan view thereof.

The broken line representations in the figures are for the purpose of illustration only, and form no part of the claimed design.

In a preferred embodiment, the nature of this product is as a plumbing fixture in the form of a lavatory which is primarily useful for washing various items and the body parts of humans.

**1 Claim, 3 Drawing Sheets**

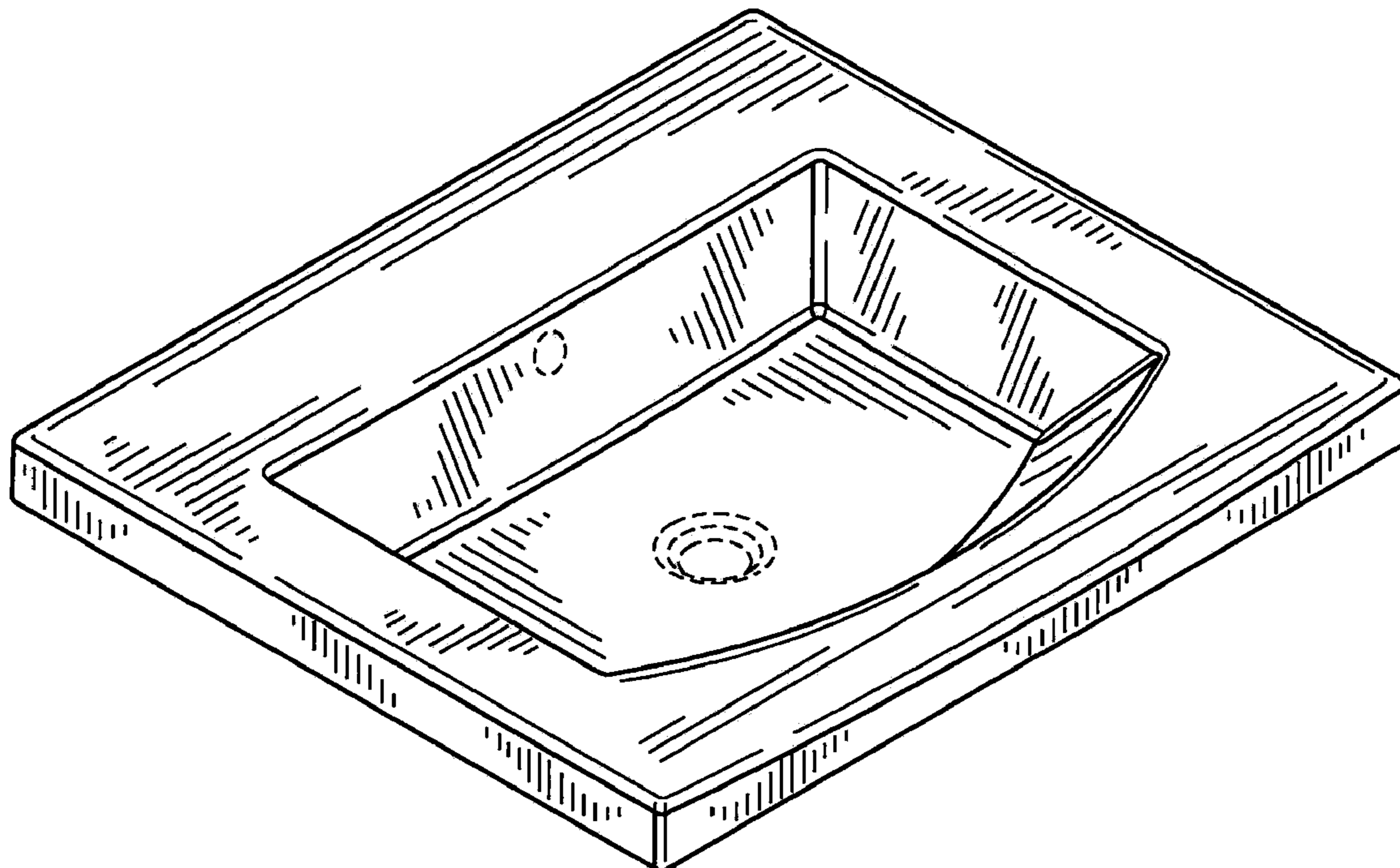


FIG. 1

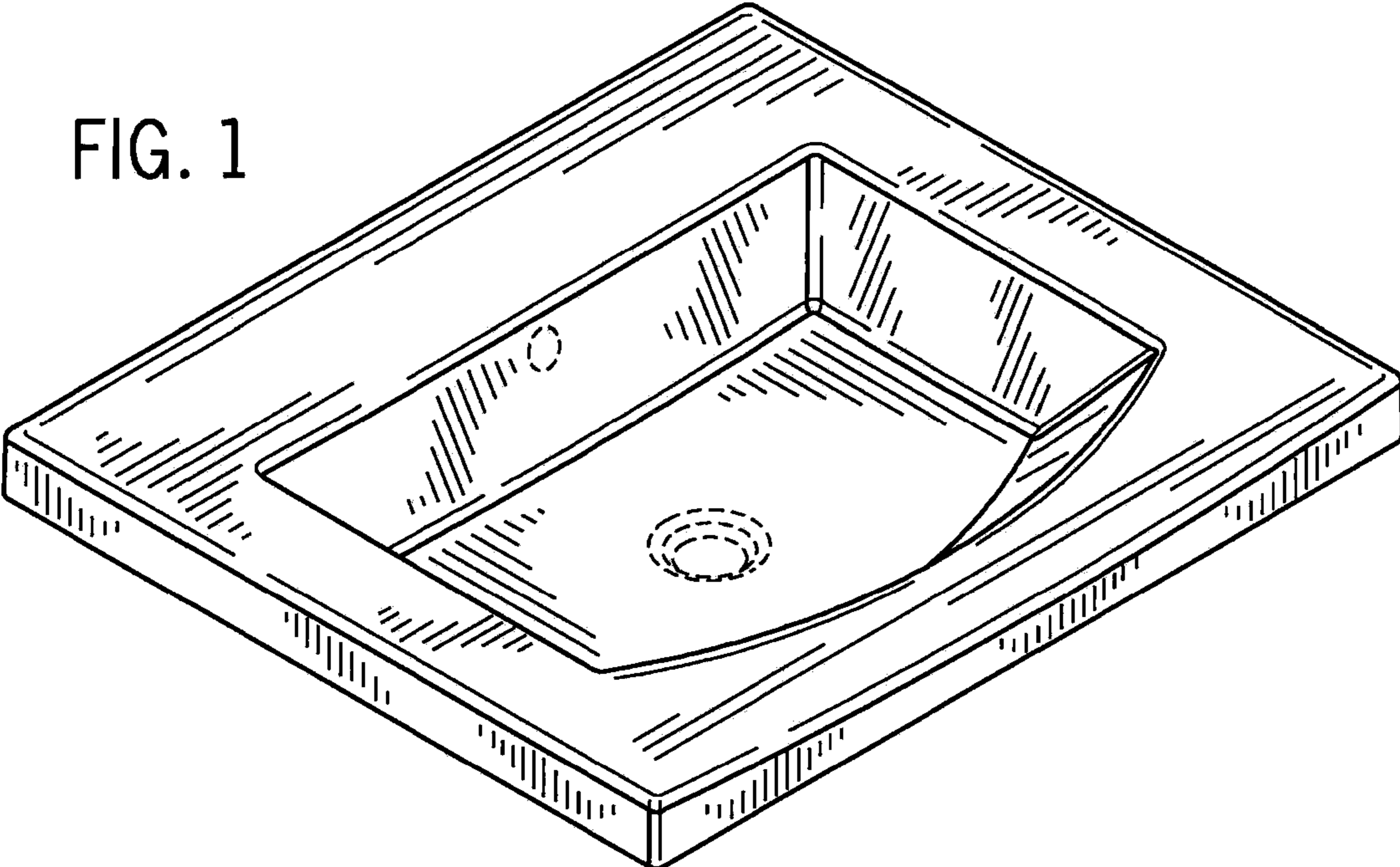


FIG. 2

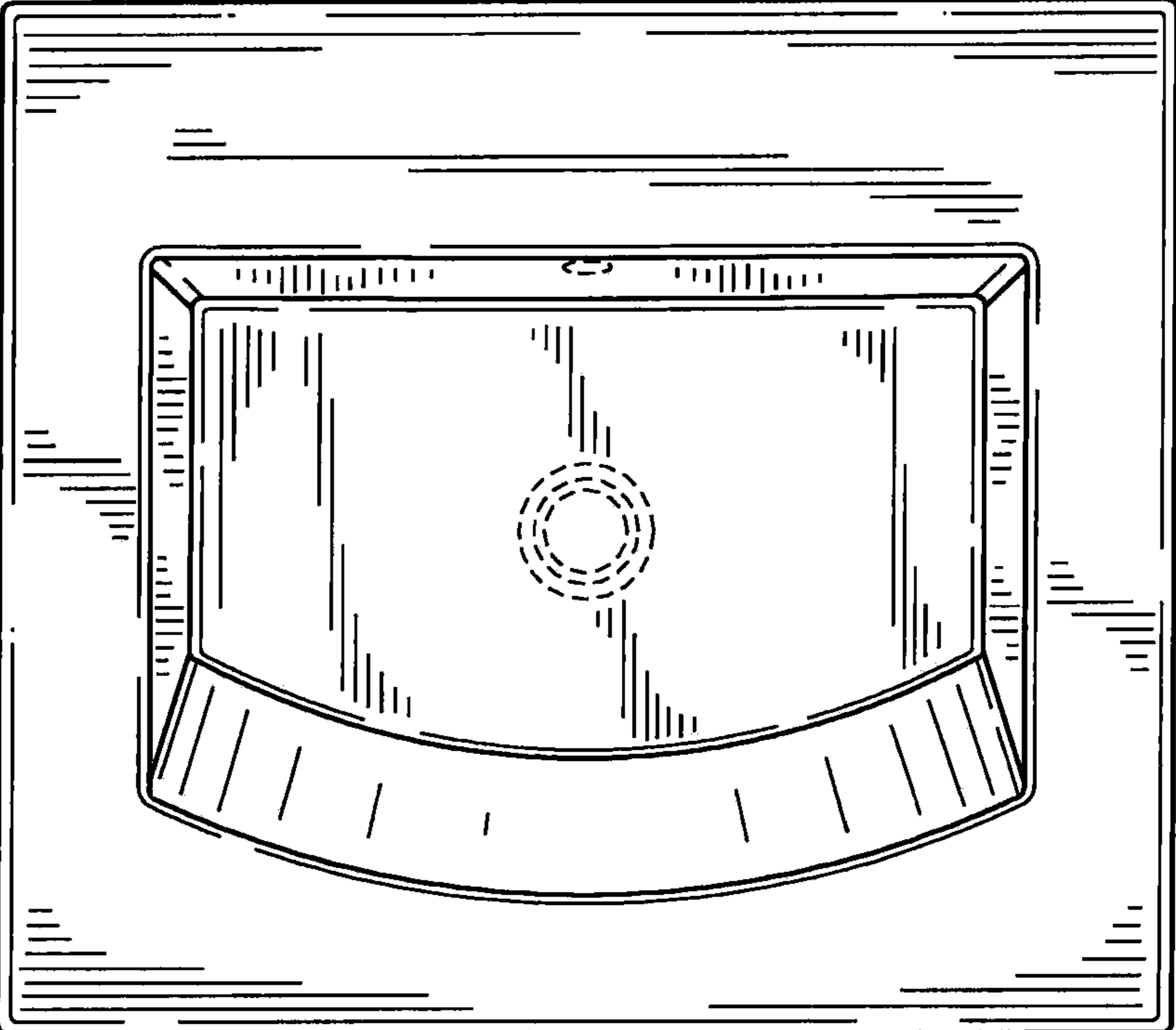


FIG. 3

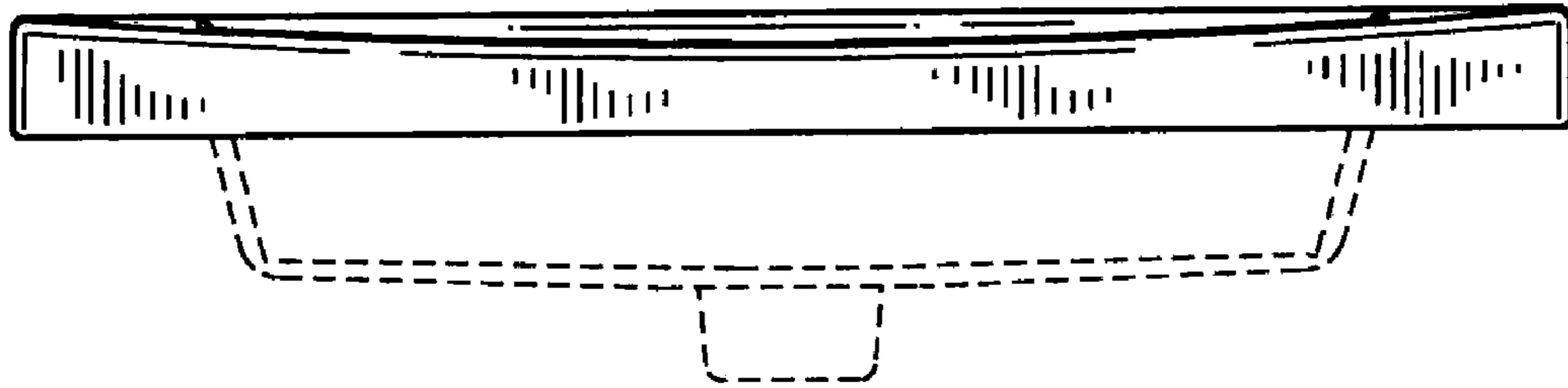


FIG. 4

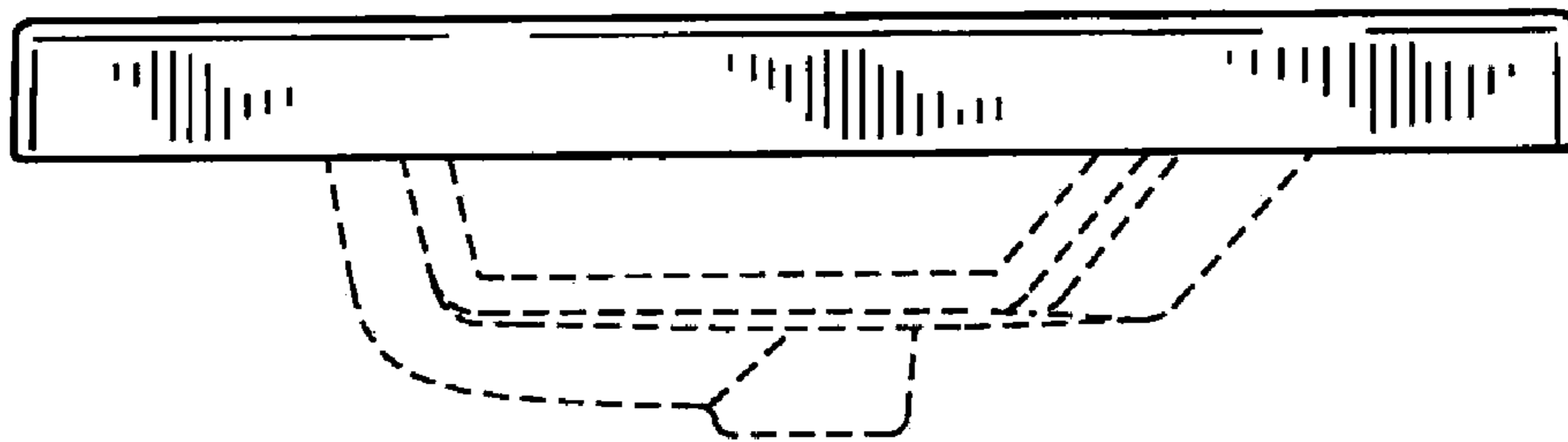


FIG. 5

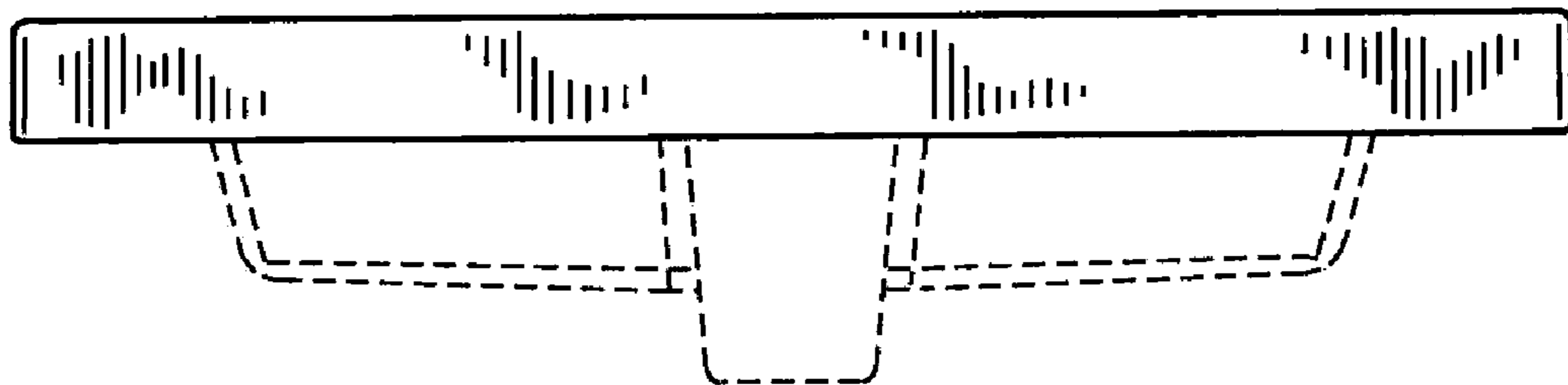


FIG. 6

