



US00D622824S

(12) **United States Design Patent**
Miklosi et al.

(10) **Patent No.:** **US D622,824 S**

(45) **Date of Patent:** **** Aug. 31, 2010**

(54) **LAVATORY**

(75) Inventors: **Alex S. Miklosi**, Sheboygan, WI (US);
Herbert V. Kohler, Jr., Kohler, WI (US)

(73) Assignee: **Kohler Co.**, Kohler, WI (US)

(**) Term: **14 Years**

(21) Appl. No.: **29/345,019**

(22) Filed: **Oct. 8, 2009**

(51) **LOC (9) Cl.** **23-02**

(52) **U.S. Cl.** **D23/284**

(58) **Field of Classification Search** D23/284–285,
D23/293.1, 308; 4/619, 631, 650, 660
See application file for complete search history.

(56) **References Cited**

U.S. PATENT DOCUMENTS

- D33,308 S * 10/1900 Watrous D23/293.1
- D79,862 S * 11/1929 Horlibostel D23/291
- D396,270 S 7/1998 Slothower
- D468,413 S * 1/2003 McKeone D23/308
- D530,799 S 10/2006 Soulier
- D545,411 S * 6/2007 Lin et al. D23/293.1
- D545,412 S * 6/2007 Lin et al. D23/293.1

OTHER PUBLICATIONS

Kohler Co. “Pinoir Wall-Mount Lavatory”, Model No. K-2035.
Kohler.com online catalog. Copyright 2009 Kohler Co.

* cited by examiner

Primary Examiner—Robert A Delehanty

(74) *Attorney, Agent, or Firm*—Quarles & Brady LLP

(57) **CLAIM**

The ornamental design for a lavatory, as shown and described.

DESCRIPTION

FIG. 1 is a top, right, front perspective view of a lavatory embodying our new design;

FIG. 2 is a top plan view thereof;

FIG. 3 is a front elevational view thereof;

FIG. 4 is a right side elevational view thereof, the left side elevational view thereof being a mirror image of the right side shown;

FIG. 5 is a rear elevational view thereof; and,

FIG. 6 is bottom plan view thereof.

The broken line representations in the figures are for the purpose of illustration only, and form no part of the claimed design.

In a preferred embodiment, the nature of this product is as a plumbing fixture in the form of a lavatory which is primarily useful for washing various items and the body parts of humans.

1 Claim, 3 Drawing Sheets

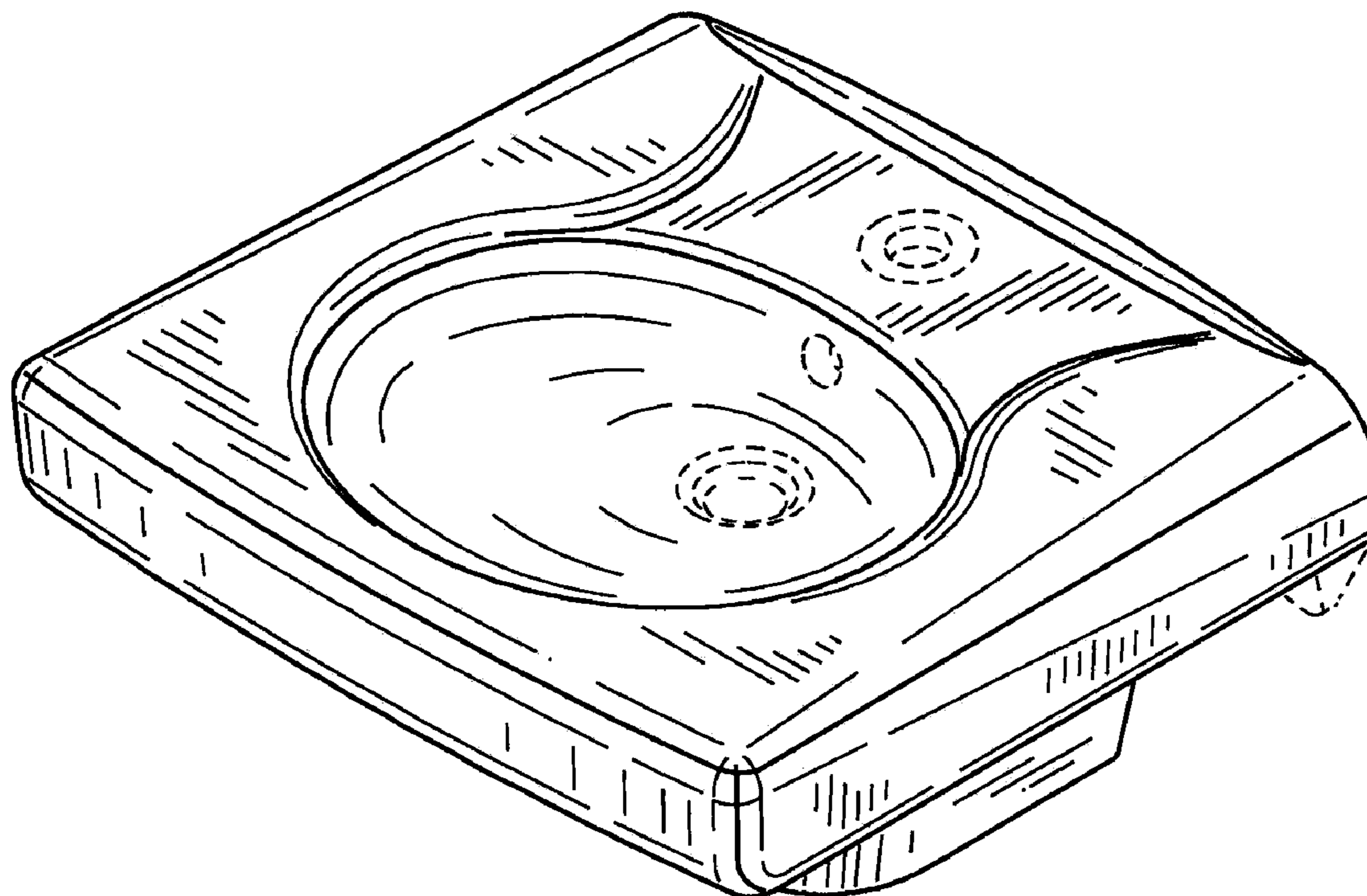


FIG. 1

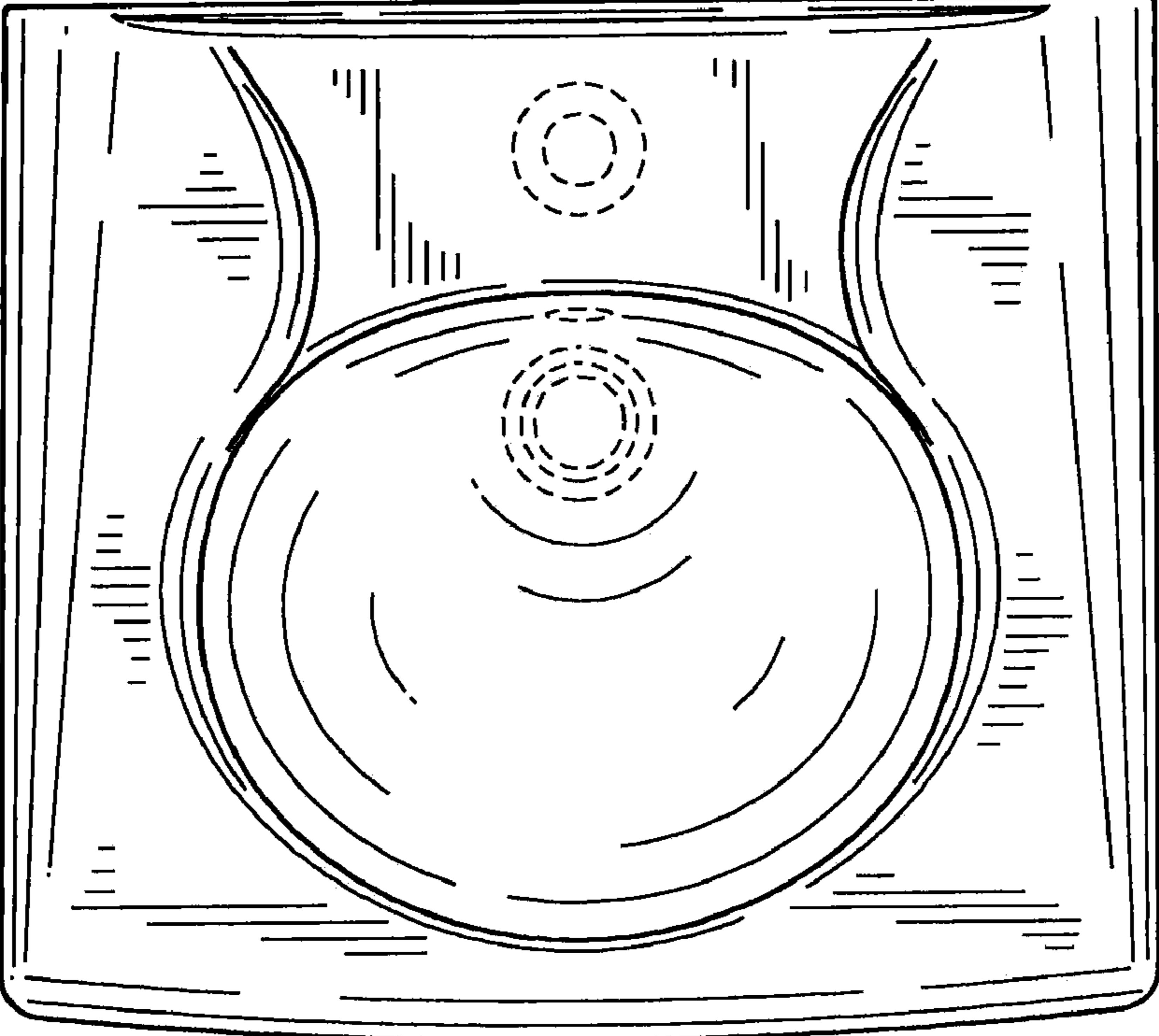
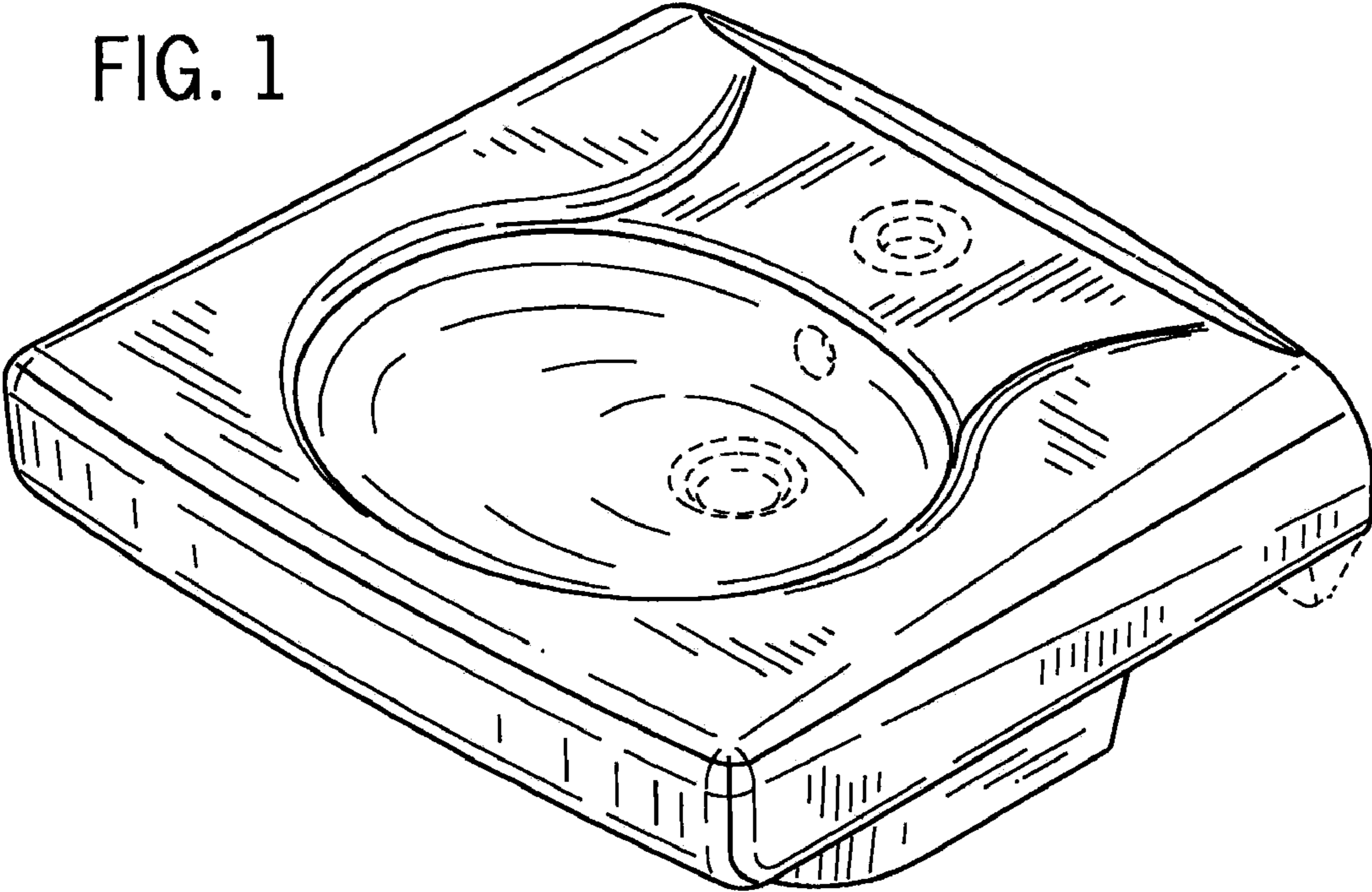


FIG. 2

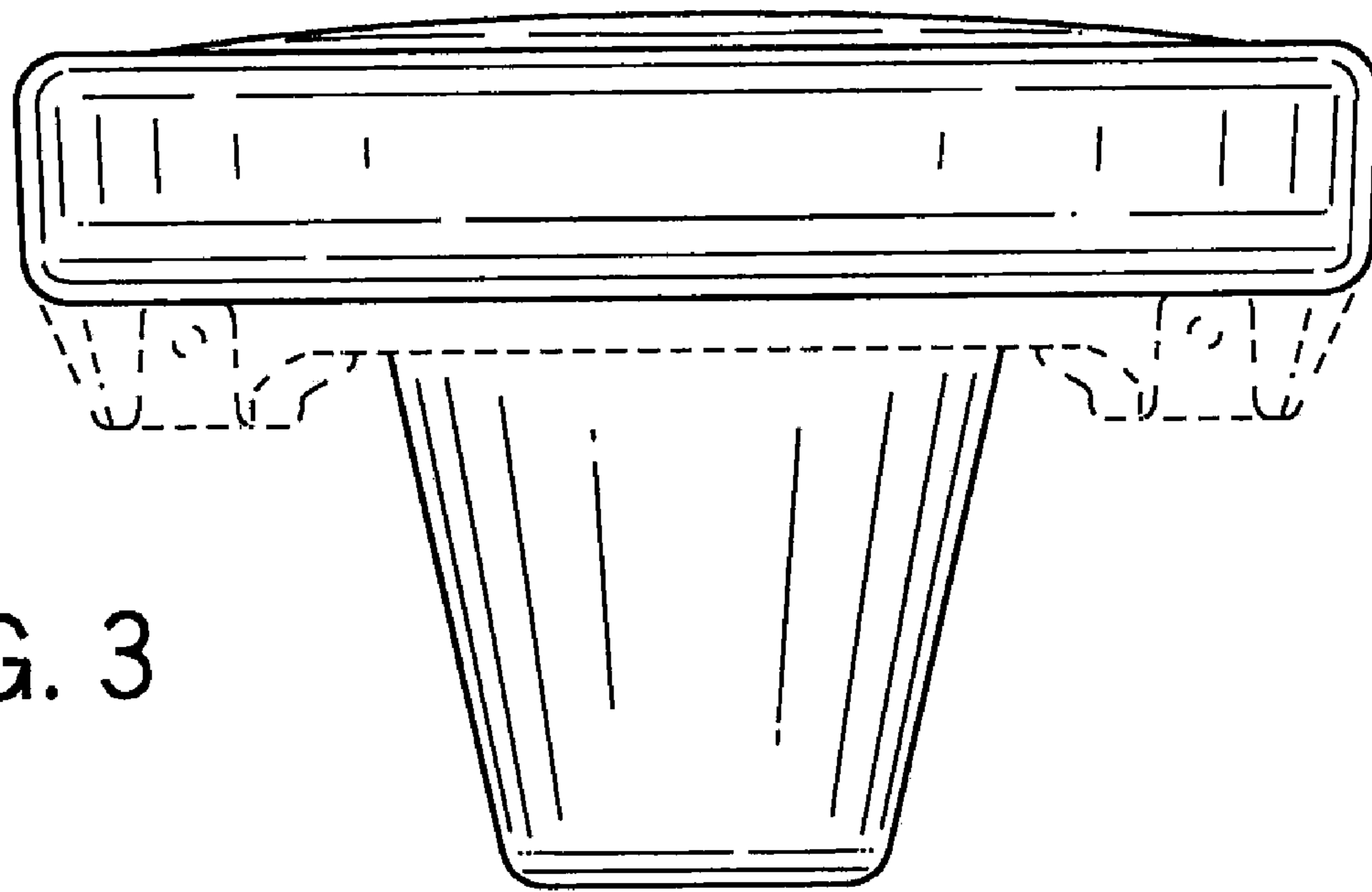


FIG. 3

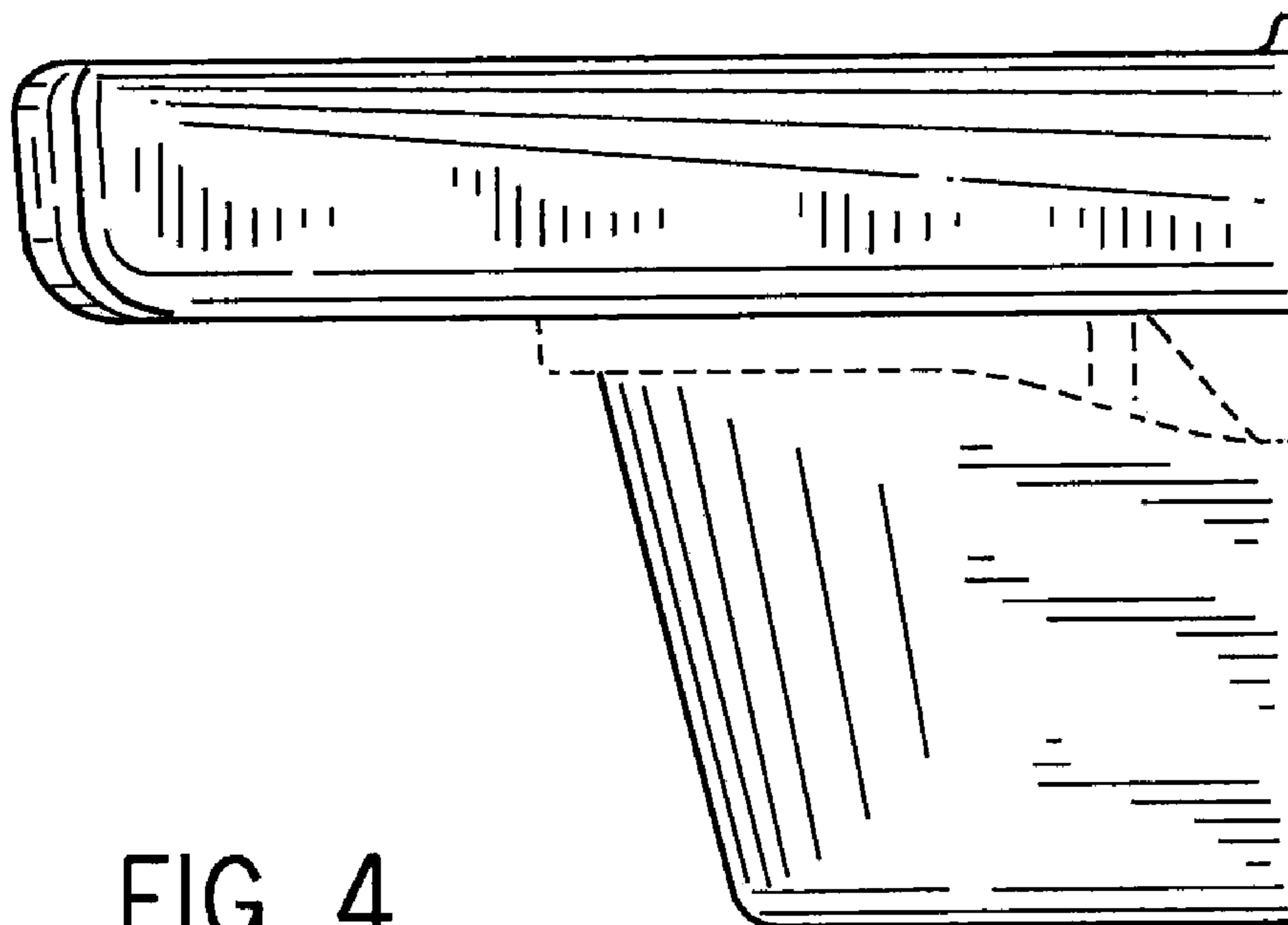


FIG. 4

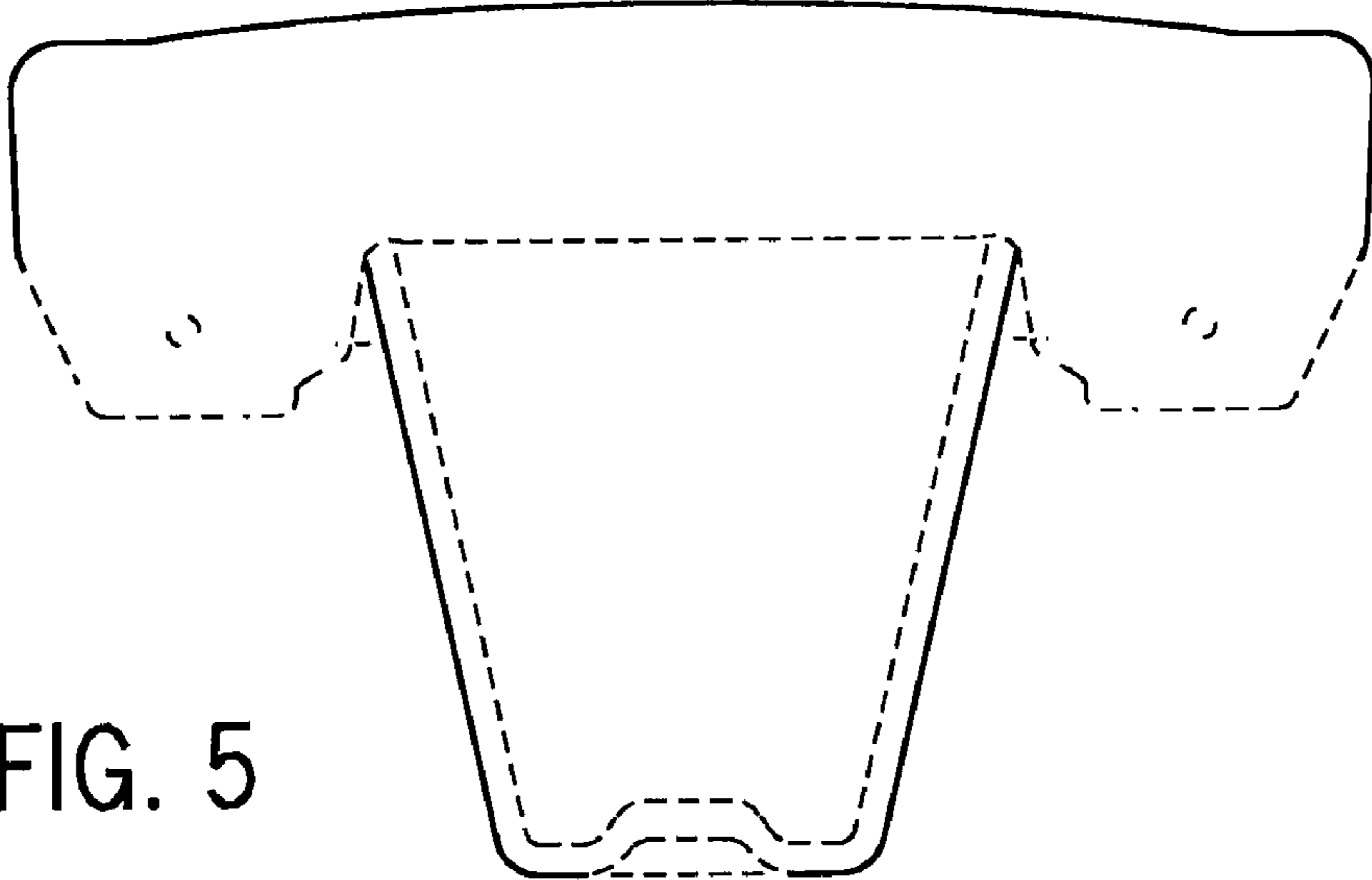


FIG. 5

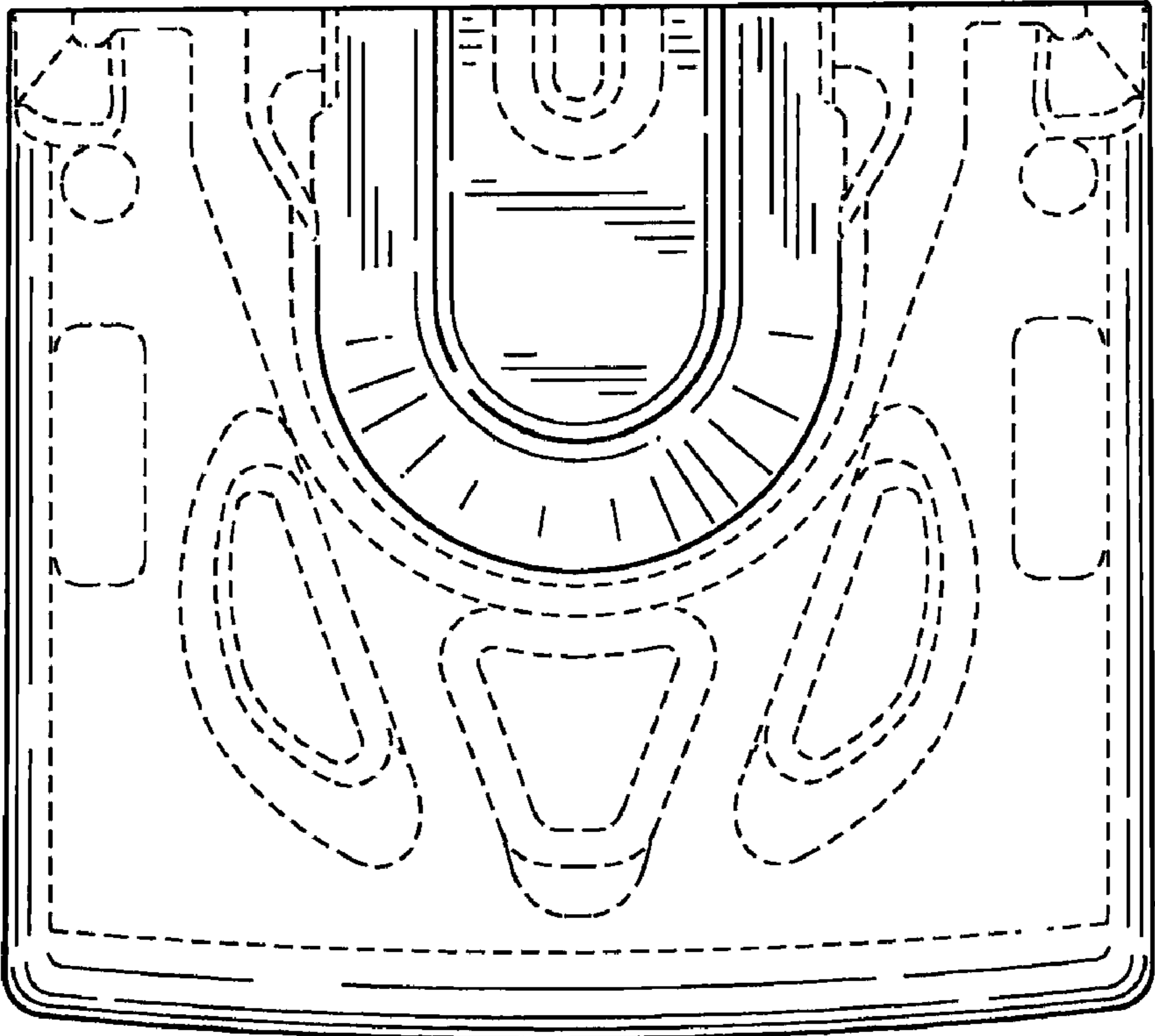


FIG. 6

UNITED STATES PATENT AND TRADEMARK OFFICE
CERTIFICATE OF CORRECTION

PATENT NO. : D622,824 S
APPLICATION NO. : 29/345019
DATED : August 31, 2010
INVENTOR(S) : Alex S. Miklosi et al.

Page 1 of 5

It is certified that error appears in the above-identified patent and that said Letters Patent is hereby corrected as shown below:

Delete title page showing an illustrative figure and substitute the attached title page therefor.

Delete the printed figures and replace the figures in the issued patent with the figures in the accompanying Replacement Sheets.

Signed and Sealed this
Thirtieth Day of August, 2011

A handwritten signature in black ink that reads "David J. Kappos". The signature is written in a cursive style with a large initial 'D' and 'K'.

David J. Kappos
Director of the United States Patent and Trademark Office

(12) **United States Design Patent**
Miklosi et al.

(10) **Patent No.:** **US D622,824 S**
(45) **Date of Patent:** **** Aug. 31, 2010**

(54) **LAVATORY**

(75) Inventors: **Alex S. Miklosi**, Sheboygan, WI (US);
Herbert V. Kohler, Jr., Kohler, WI (US)

(73) Assignee: **Kohler Co.**, Kohler, WI (US)

(**) Term: **14 Years**

(21) Appl. No.: **29/345,019**

(22) Filed: **Oct. 8, 2009**

(51) **LOC (9) Cl.** **23-02**

(52) **U.S. Cl.** **D23/284**

(58) **Field of Classification Search** D23/284 -285,
D23/293.1, 308; 4/619, 631, 650, 660
See application file for complete search history.

(56) **References Cited**

U.S. PATENT DOCUMENTS

- D33,308 S * 10/1900 Watrous D23/293.1
- D79,862 S * 11/1929 Horlihostel D23/291
- D396,270 S 7/1998 Slothower
- D468,413 S * 1/2003 McKeone D23/308
- D530,799 S 10/2006 Soulier
- D545,411 S * 6/2007 Lin et al. D23/293.1
- D545,412 S * 6/2007 Lin et al. D23/293.1

OTHER PUBLICATIONS

Kohler Co. "Pinoir Wall-Mount Lavatory", Model No. K-2035.
Kohler.com online catalog. Copyright 2009 Kohler Co.

* cited by examiner

Primary Examiner—Robert A Delebaudy

(74) *Attorney, Agent, or Firm*—Quarles & Brady LLP

(57) **CLAIM**

The ornamental design for a lavatory, as shown and described.

DESCRIPTION

FIG. 1 is a top, right, front perspective view of a lavatory embodying our new design;

FIG. 2 is a top plan view thereof;

FIG. 3 is a front elevational view thereof;

FIG. 4 is a right side elevational view thereof, the left side elevational view thereof being a mirror image of the right side shown;

FIG. 5 is a rear elevational view thereof; and,

FIG. 6 is bottom plan view thereof.

The broken line representations in the figures are for the purpose of illustration only, and form no part of the claimed design.

In a preferred embodiment, the nature of this product is as a plumbing fixture in the form of a lavatory which is primarily useful for washing various items and the body parts of humans.

1 Claim, 3 Drawing Sheets

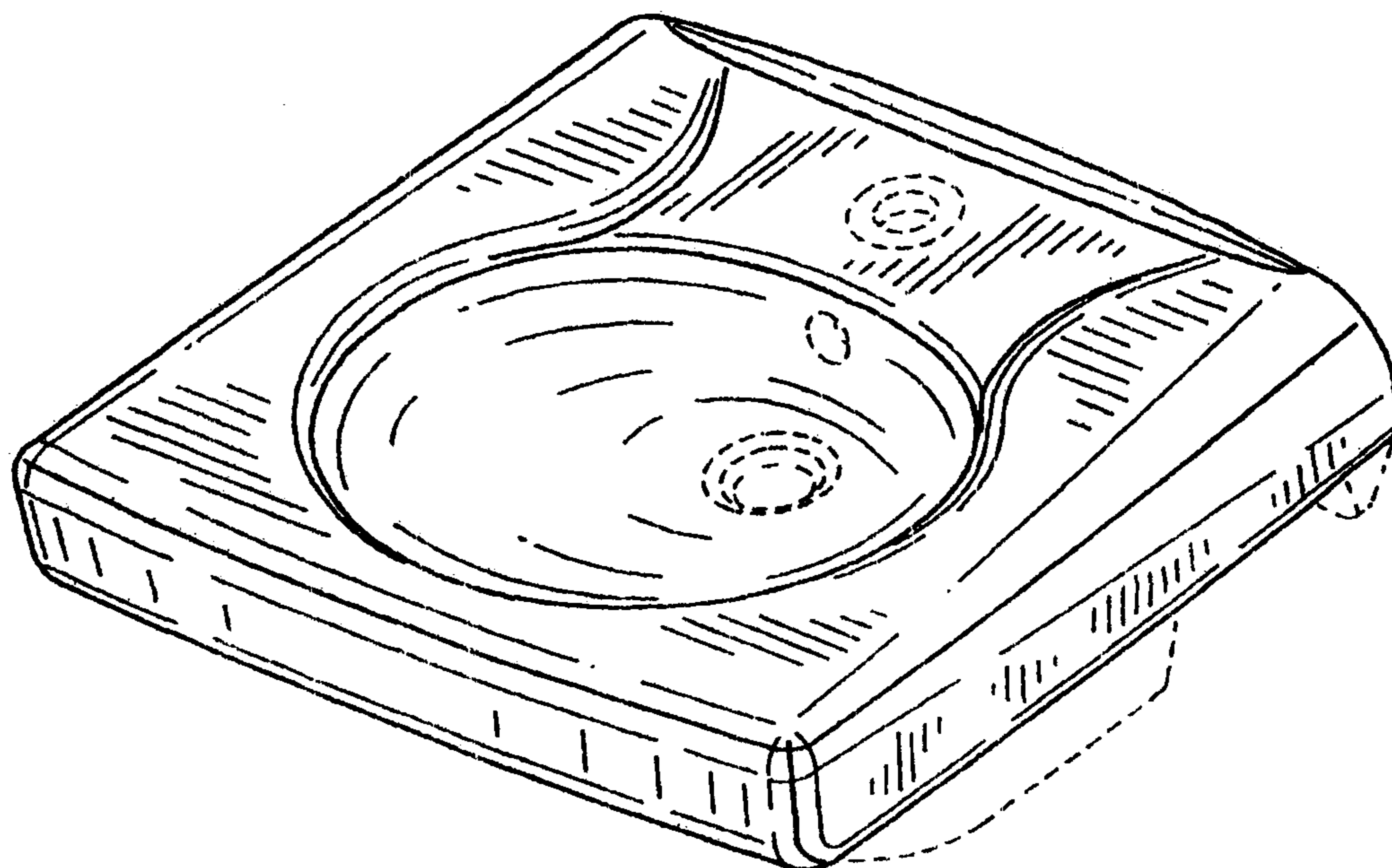


FIG. 1

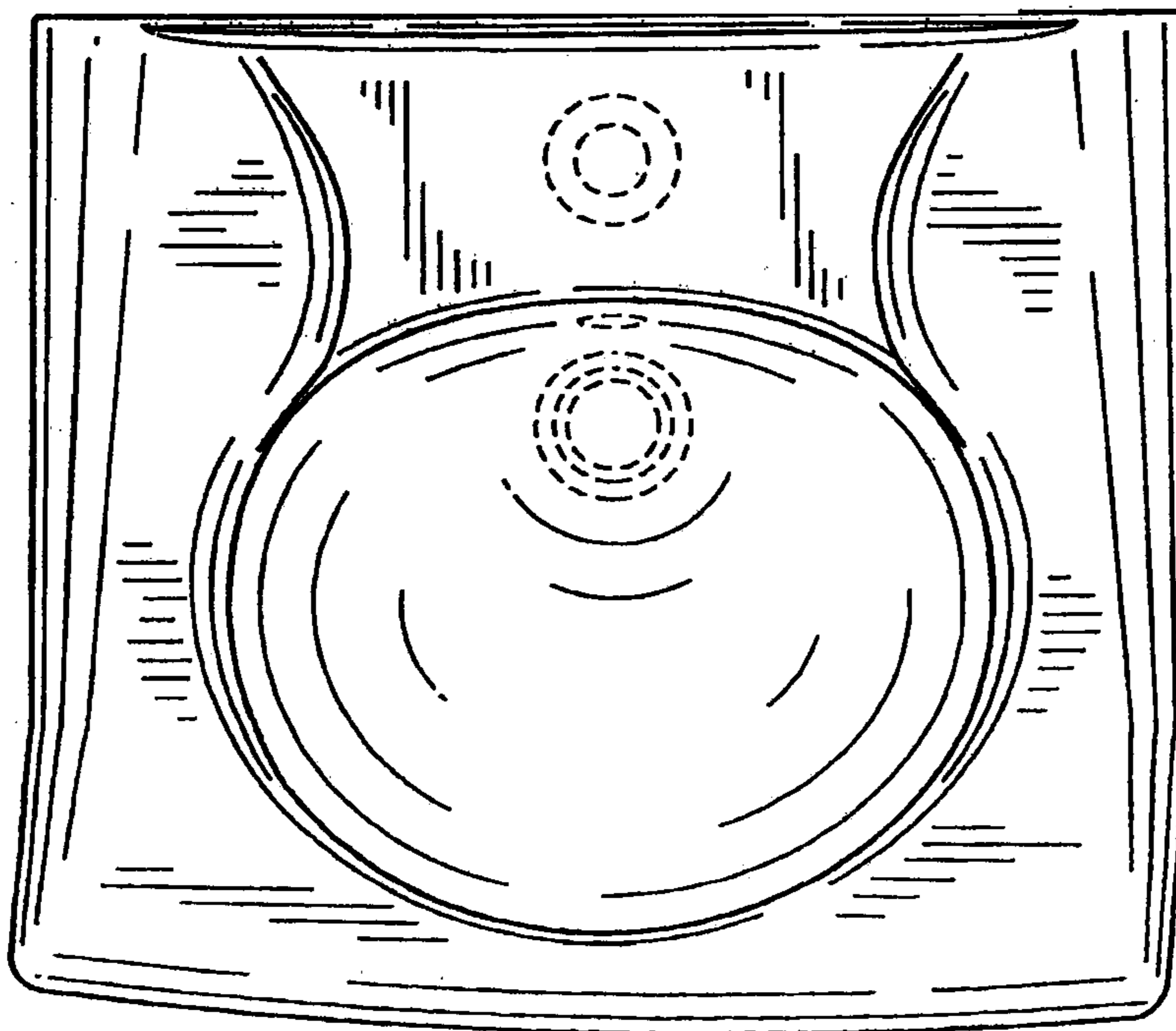
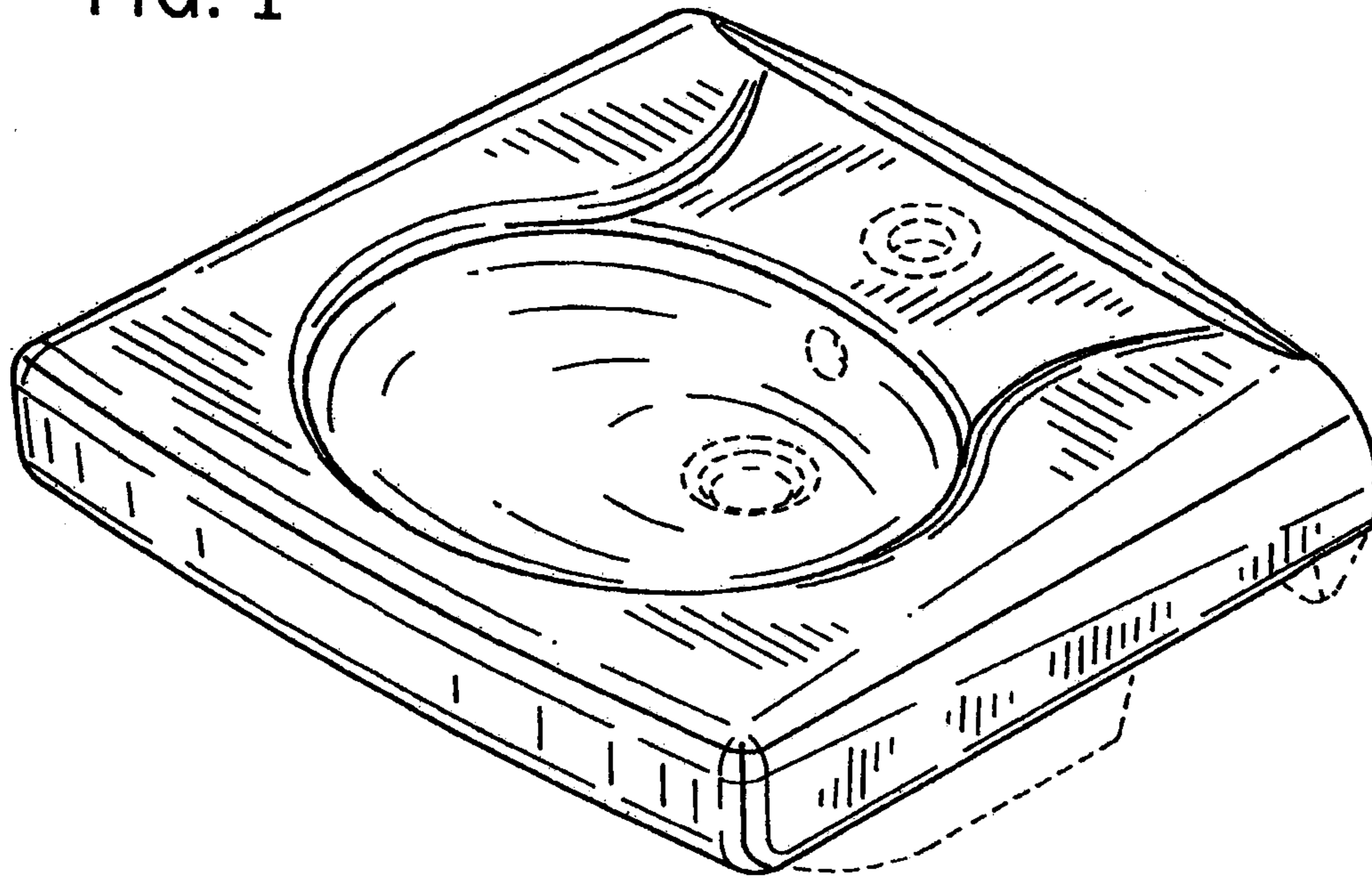


FIG. 2

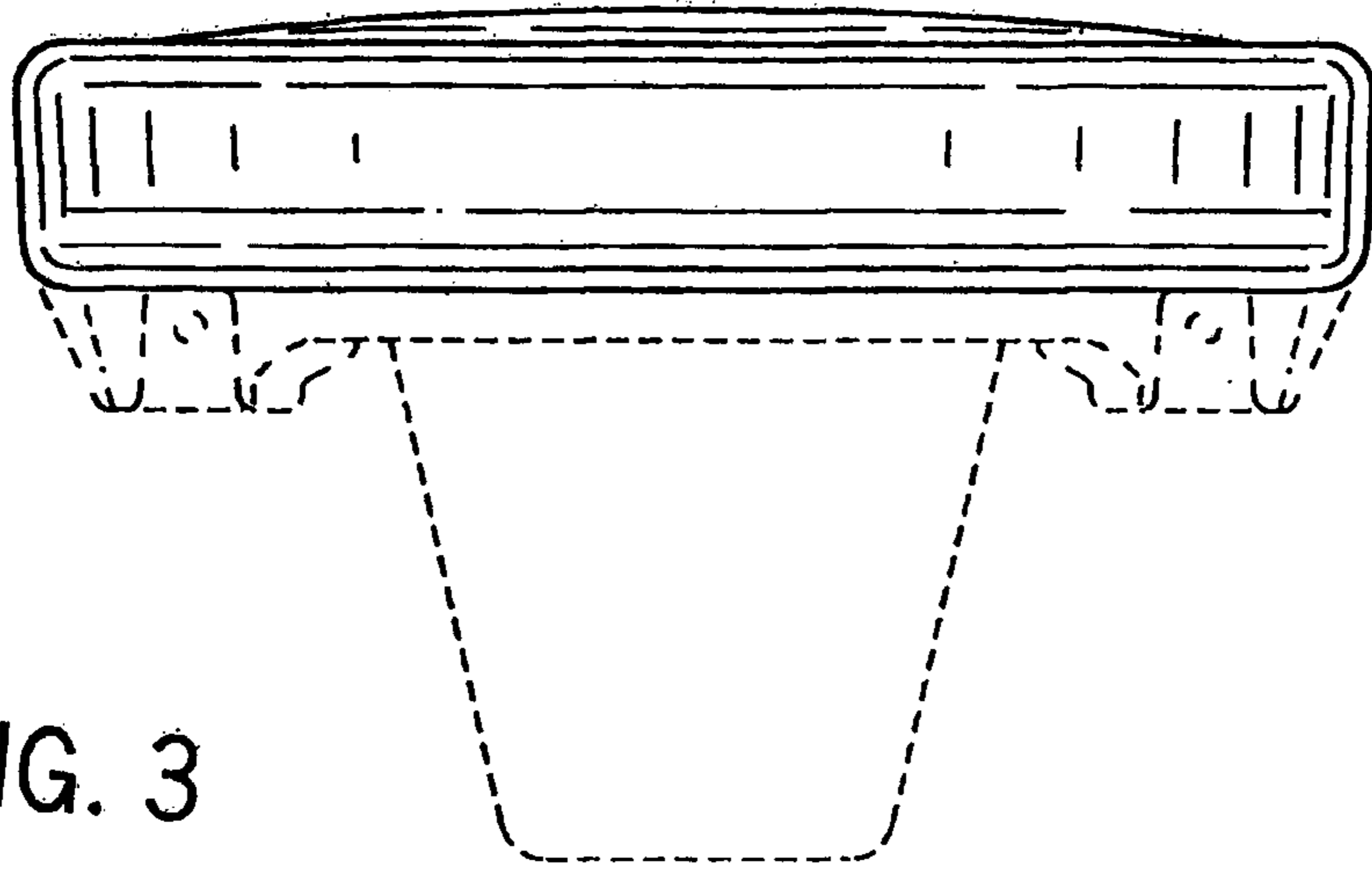


FIG. 3

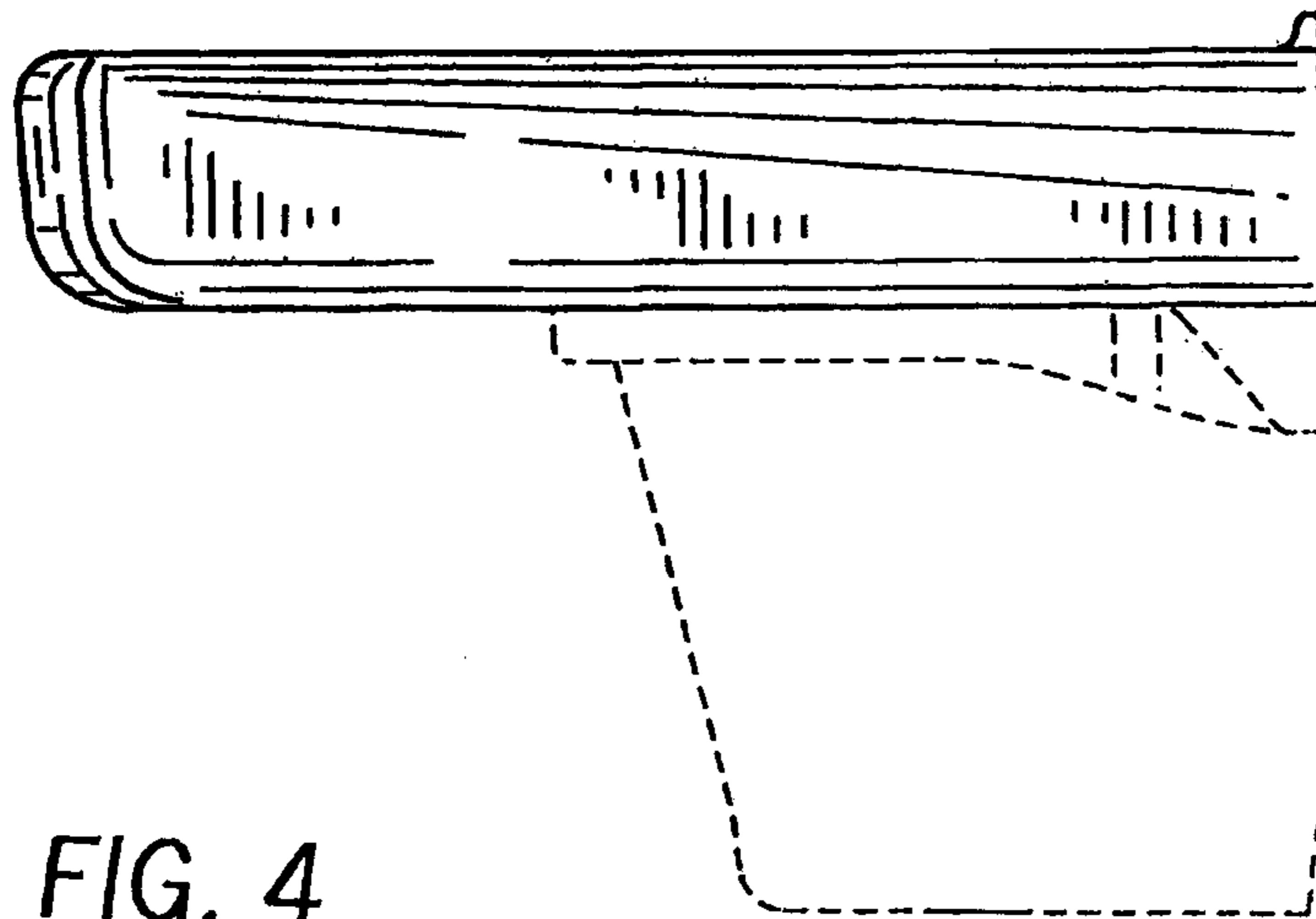


FIG. 4

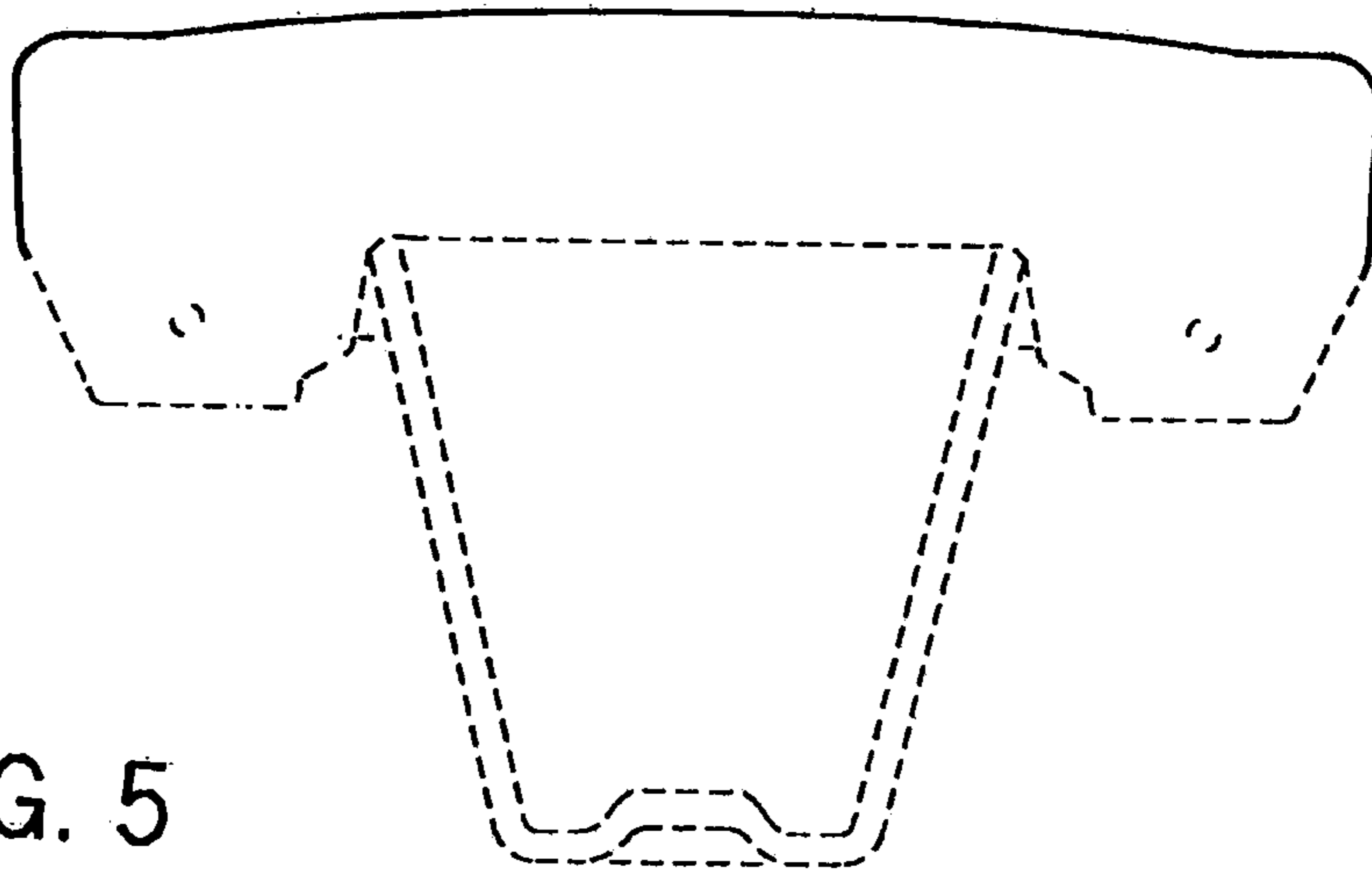


FIG. 5

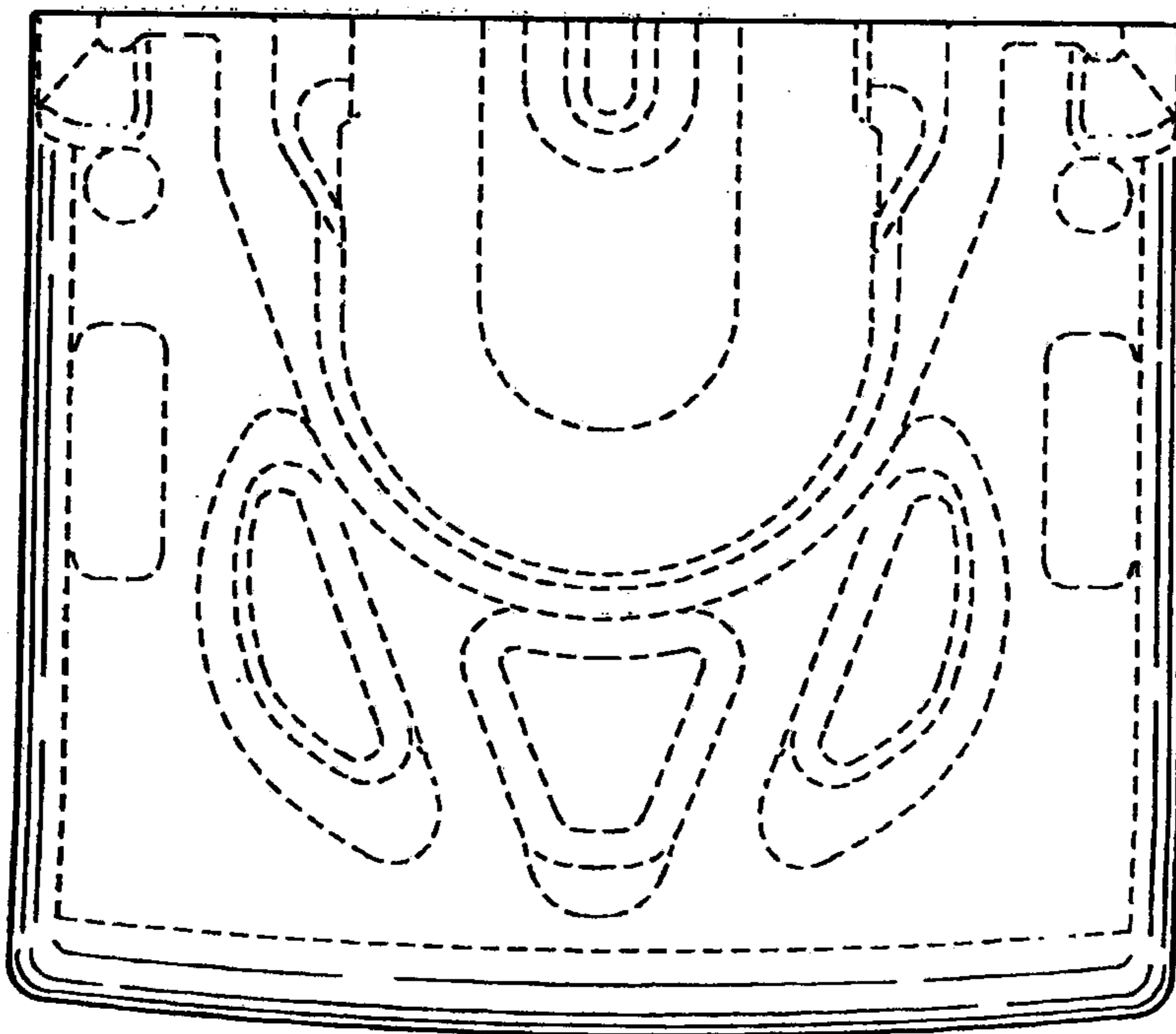


FIG. 6