



US00D622823S

(12) **United States Design Patent**  
**Eilmus**

(10) **Patent No.:** **US D622,823 S**

(45) **Date of Patent:** **\*\* Aug. 31, 2010**

(54) **SINK**

(75) Inventor: **Niels J. Eilmus**, Sheboygan, WI (US)

(73) Assignee: **Kohler Co.**, Kohler, WI (US)

(\*\*) Term: **14 Years**

(21) Appl. No.: **29/340,505**

(22) Filed: **Jul. 20, 2009**

(51) **LOC (9) Cl.** ..... **23-02**

(52) **U.S. Cl.** ..... **D23/284**

(58) **Field of Classification Search** ..... D23/284-285,  
D23/293.1, 308; 4/619, 631, 650, 660  
See application file for complete search history.

(56) **References Cited**

**U.S. PATENT DOCUMENTS**

D510,417 S \* 10/2005 Brun ..... D23/289  
D545,417 S \* 6/2007 Tani et al. .... D23/293.1

**OTHER PUBLICATIONS**

Elkay. "ELU2118 Contemporary/Modern Single Basin 7½" Stainless Steel Kitchen Sink from the Undermount Series". Model No. ELU2118. FaucetDirect.com online catalog. Copyright 2000-2009 Improvement Direct, Inc.

Kohler Co. "Providence Self-Rimming Lavatory". Model Nos. K-2929-1, K-2929-4 and K-2929-8. Kohler Co. Catalog.

Kohler Co. "Undertone Undercounter Sink". Kohler Co. Catalog.

\* cited by examiner

*Primary Examiner*—Robert A Delehanty

(74) *Attorney, Agent, or Firm*—Quarles & Brady LLP

(57) **CLAIM**

The ornamental design for a sink, as shown and described.

**DESCRIPTION**

FIG. 1 is a right, top, front perspective view of a sink embodying my new design;

FIG. 2 is a top plan view thereof;

FIG. 3 is a front elevational view thereof;

FIG. 4 is a right side elevational view thereof, the left side elevational view thereof being a mirror image of the right side shown;

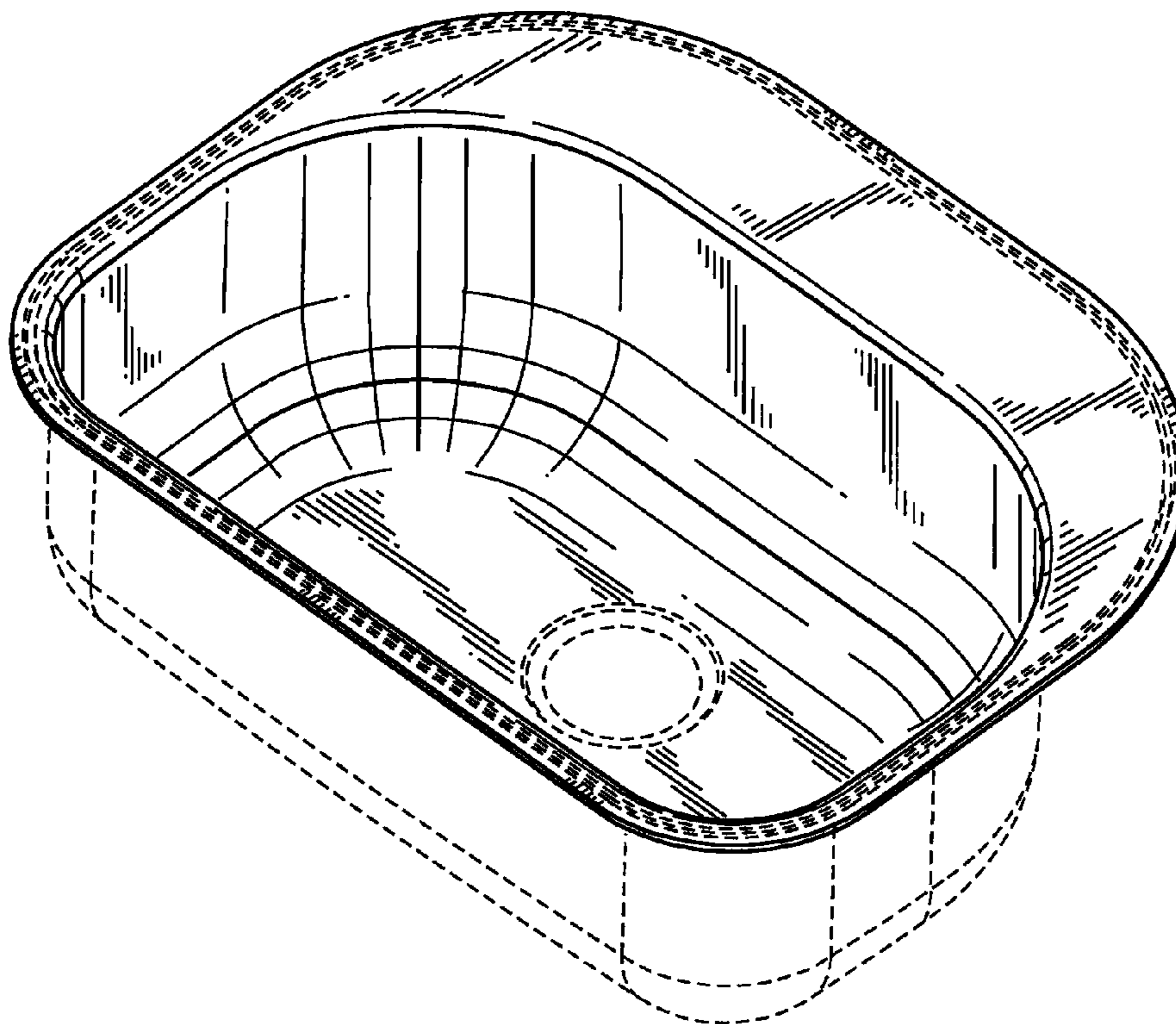
FIG. 5 is a rear elevational view thereof; and,

FIG. 6 is a bottom plan view thereof.

The broken line representations in the figures are for the purpose of illustration only, and form no part of the claimed design.

In a preferred embodiment, the nature of this product is as a plumbing fixture in the form of a sink which is primarily useful for washing various items and the body parts of humans.

**1 Claim, 3 Drawing Sheets**



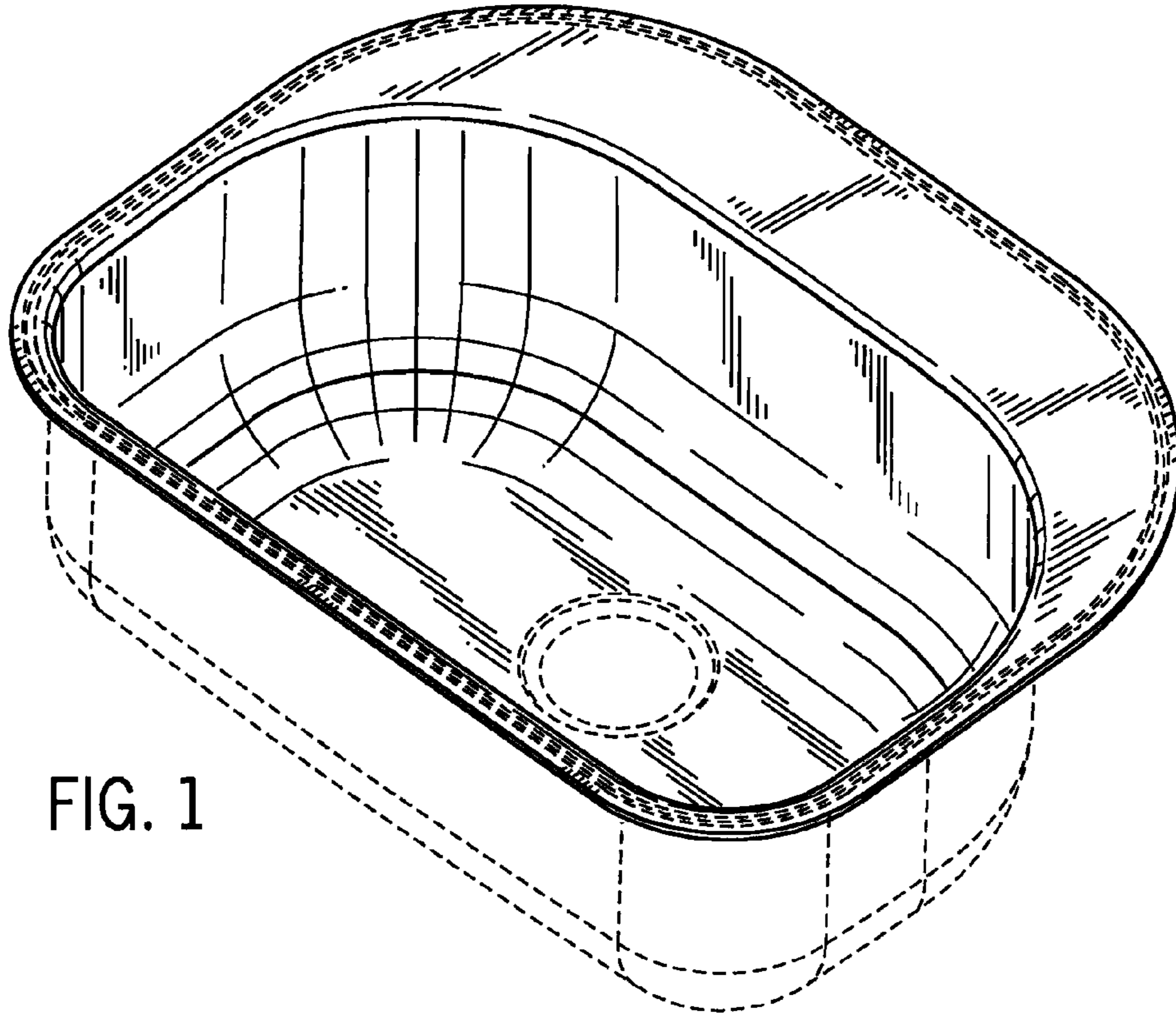
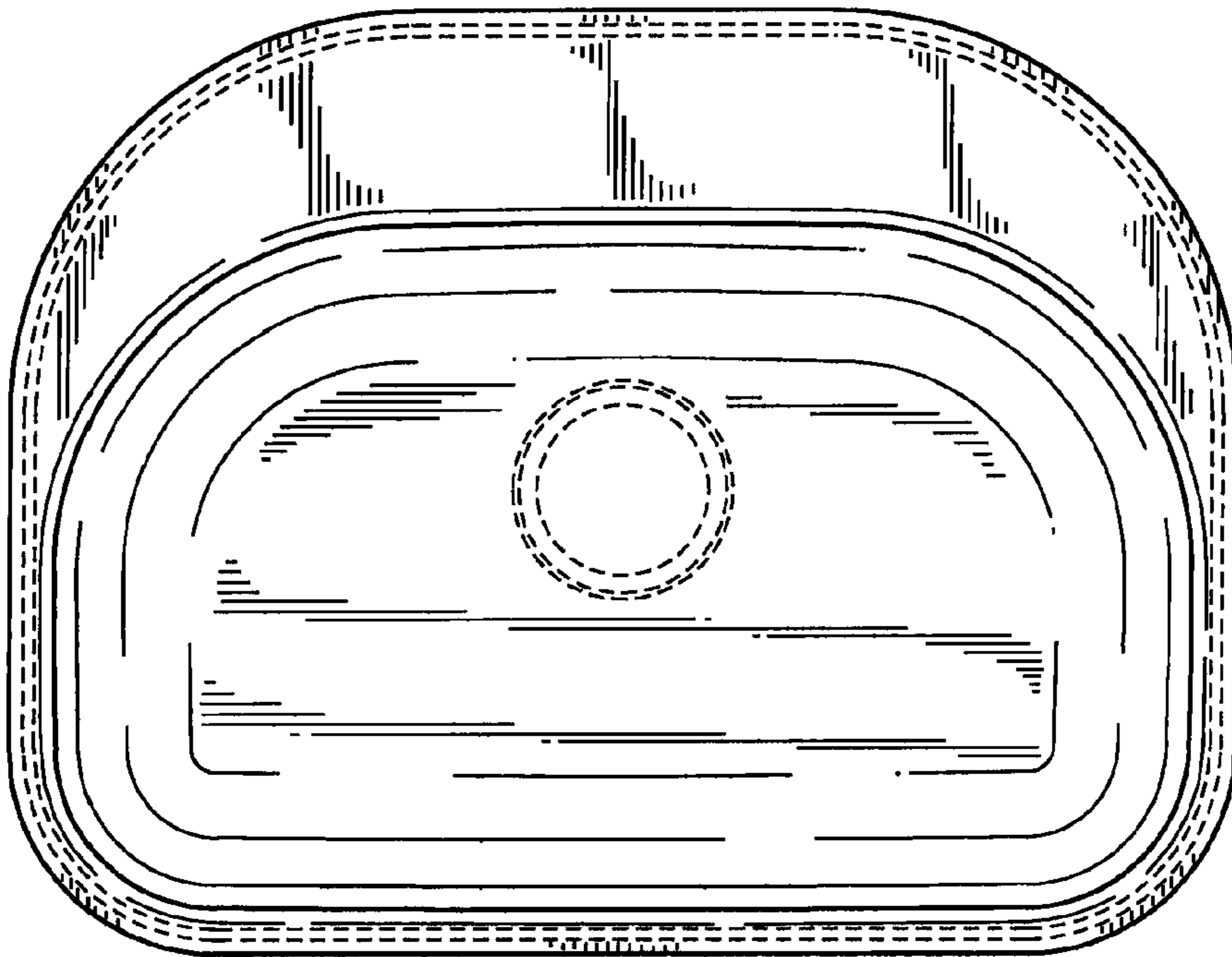


FIG. 1

FIG. 2



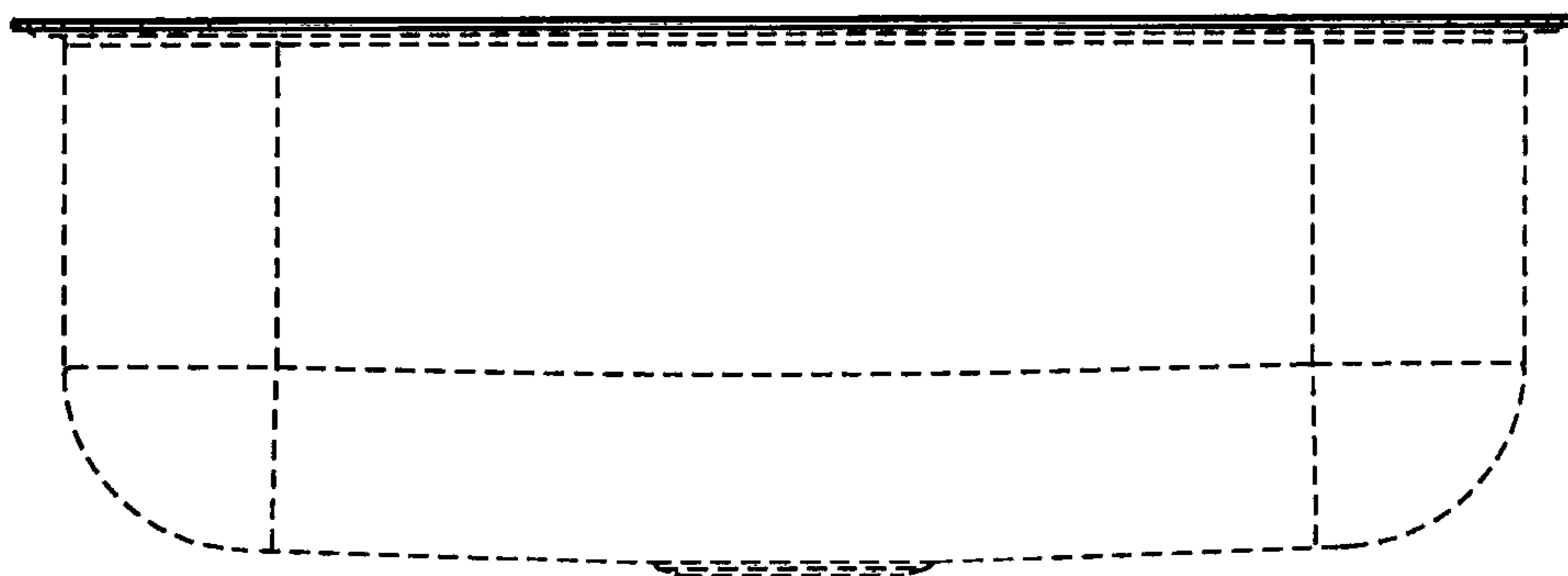


FIG. 3

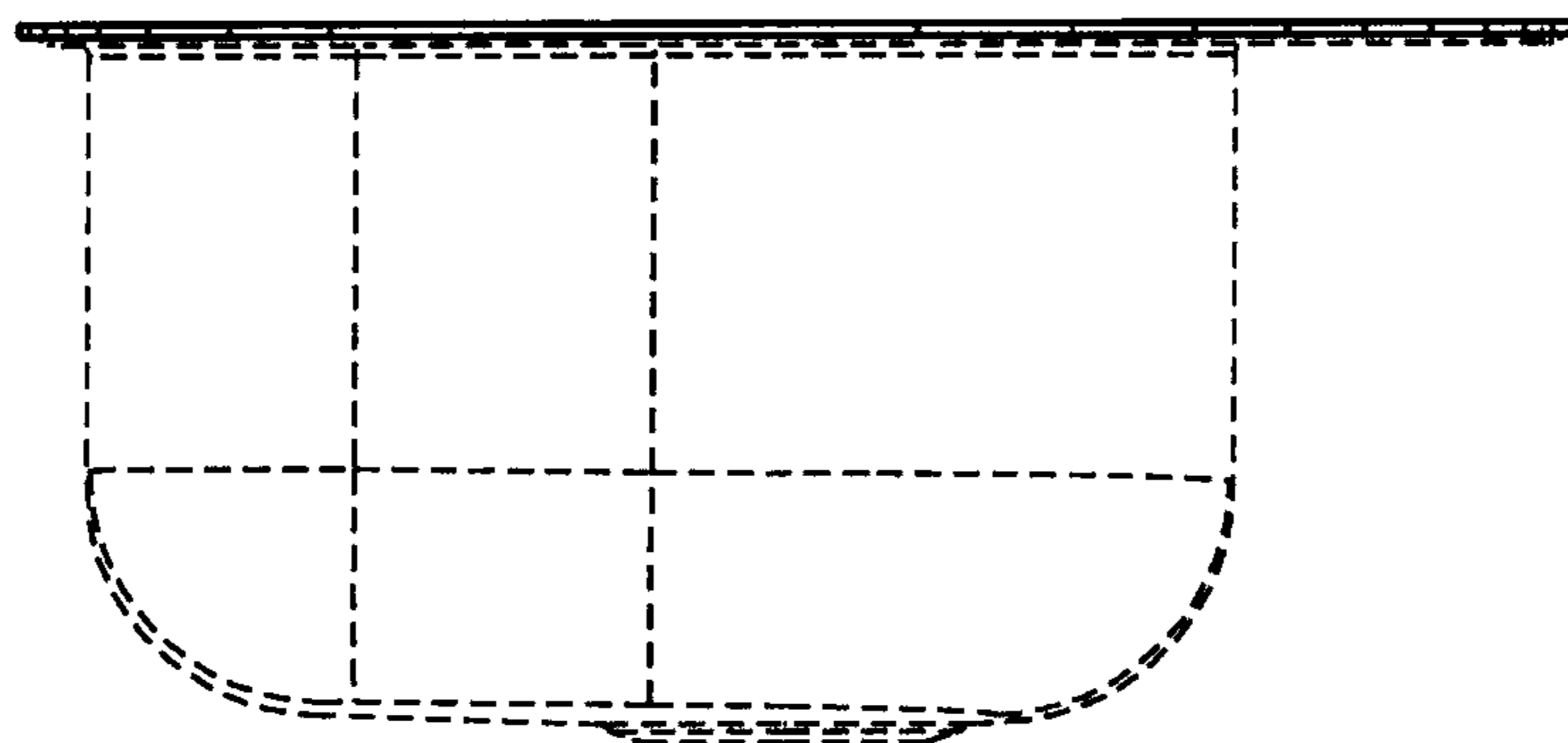


FIG. 4

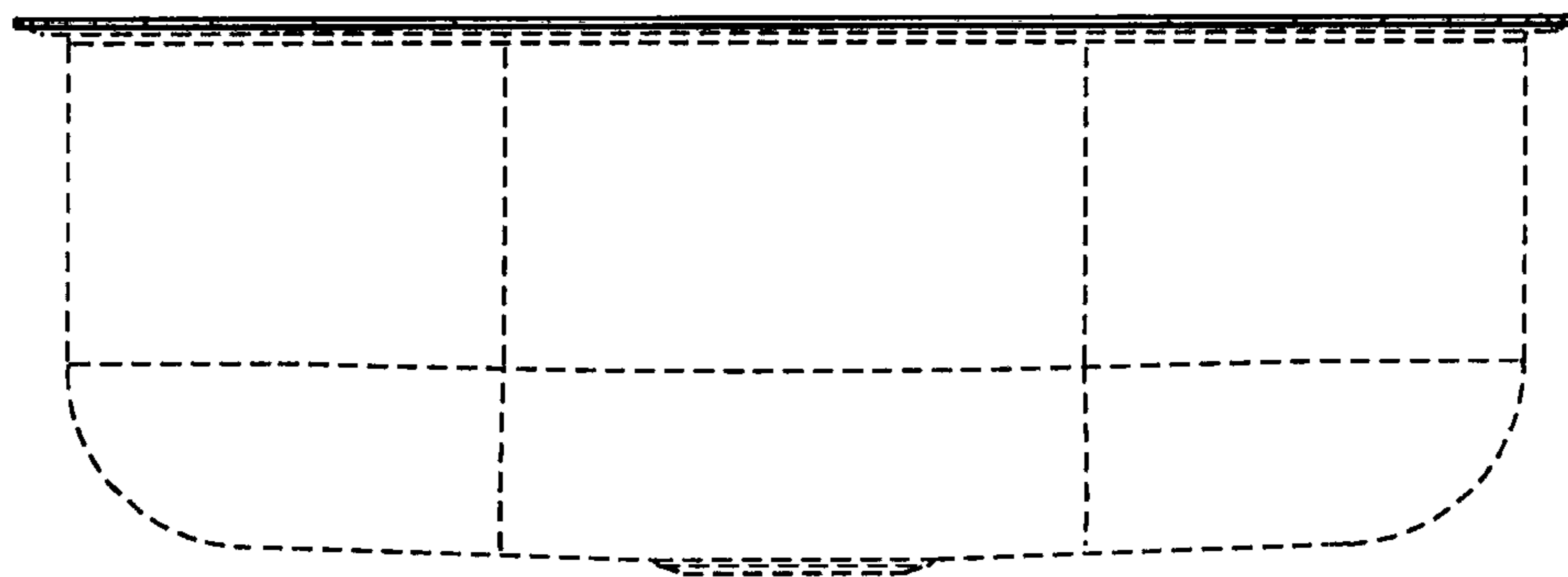


FIG. 5

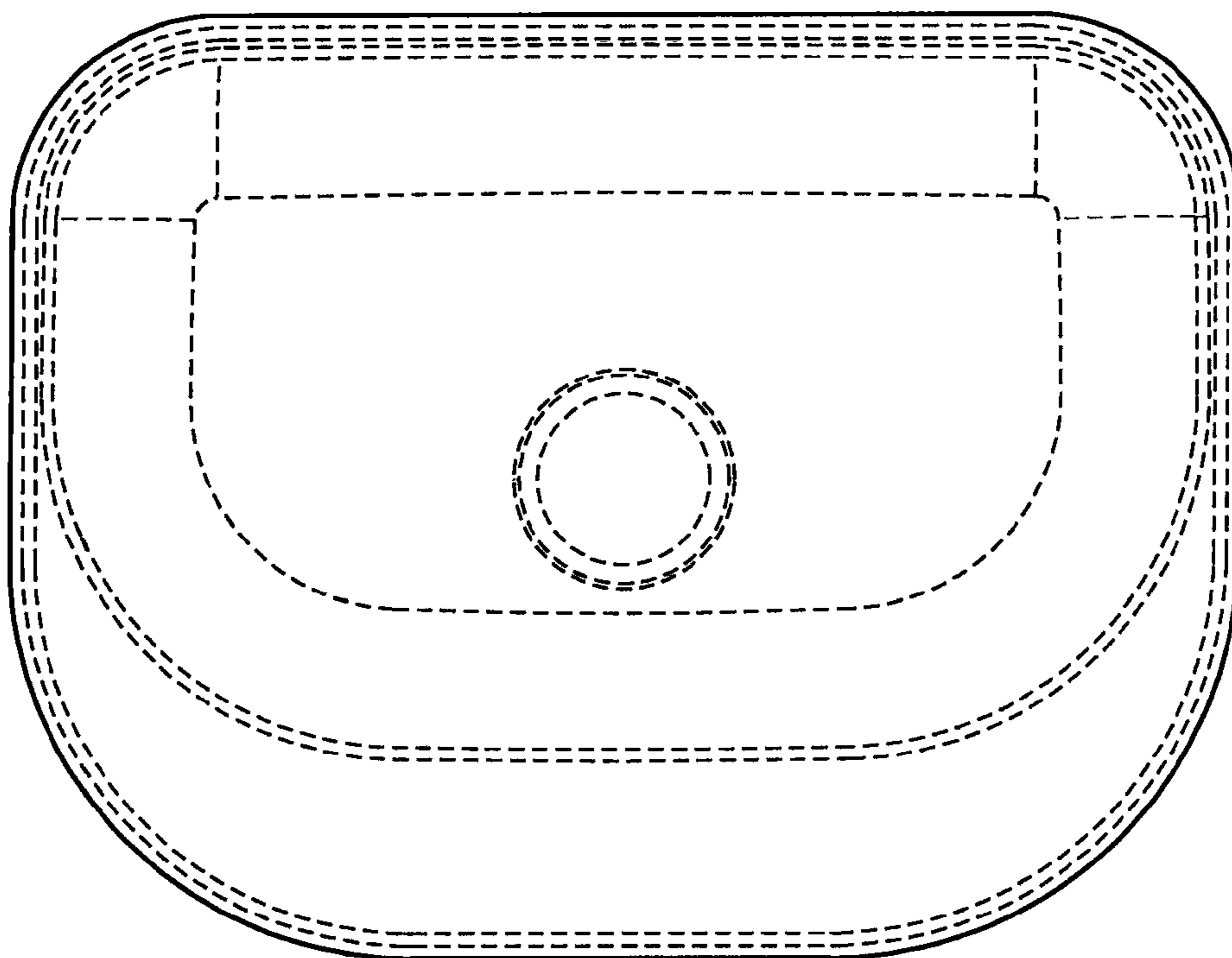


FIG. 6