



US00D622822S

(12) **United States Design Patent**
Obara

(10) **Patent No.:** **US D622,822 S**

(45) **Date of Patent:** **** Aug. 31, 2010**

(54) **SPOUT**

Primary Examiner—Robert A Delehanty

(75) Inventor: **Mitsuya Obara**, Fukuoka (JP)

(74) *Attorney, Agent, or Firm*—Birch, Stewart, Kolasch & Birch, LLP

(73) Assignee: **Toto Ltd.**, Kitakyushu-Shi (JP)

(**) Term: **14 Years**

(57) **CLAIM**

(21) Appl. No.: **29/342,378**

The ornamental design for a spout, as shown and described.

(22) Filed: **Aug. 24, 2009**

DESCRIPTION

(30) **Foreign Application Priority Data**

Feb. 24, 2009 (JP) 2009-003809

FIG. 1 is a perspective view of the top, front and right side of a spout showing my new design;

(51) **LOC (9) Cl.** **23-02**

FIG. 2 is a front view thereof;

(52) **U.S. Cl.** **D23/255**

FIG. 3 is a rear view thereof;

(58) **Field of Classification Search** D23/238–243,
D23/255–257; 4/676–678; 137/801

FIG. 4 is a left side view thereof;

See application file for complete search history.

FIG. 5 is a right side view thereof;

(56) **References Cited**

FIG. 6 is a top plan view thereof; and,

U.S. PATENT DOCUMENTS

FIG. 7 is a bottom view thereof.

D527,794 S * 9/2006 Sieger D23/238

The portion of the article in broken lines are shown for illustrative purposes only and form no part of the claimed design.

D580,016 S * 11/2008 Downey D23/238

Chain line shows the border between the part which is claimed for design registration and the other part.

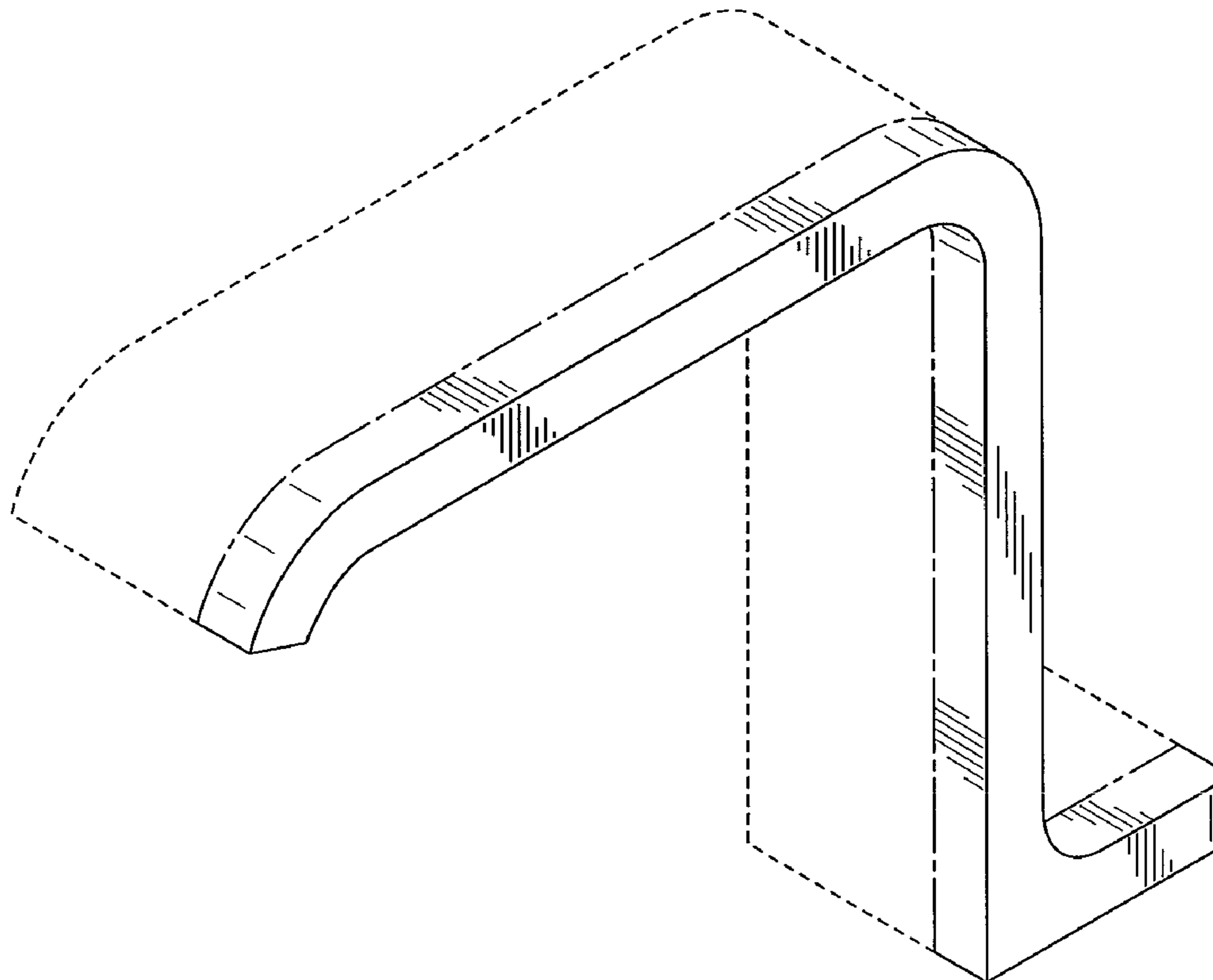
D580,527 S * 11/2008 Zhang D23/255

D582,525 S * 12/2008 Downey D23/255

D607,545 S * 1/2010 Obara D23/255

* cited by examiner

1 Claim, 3 Drawing Sheets



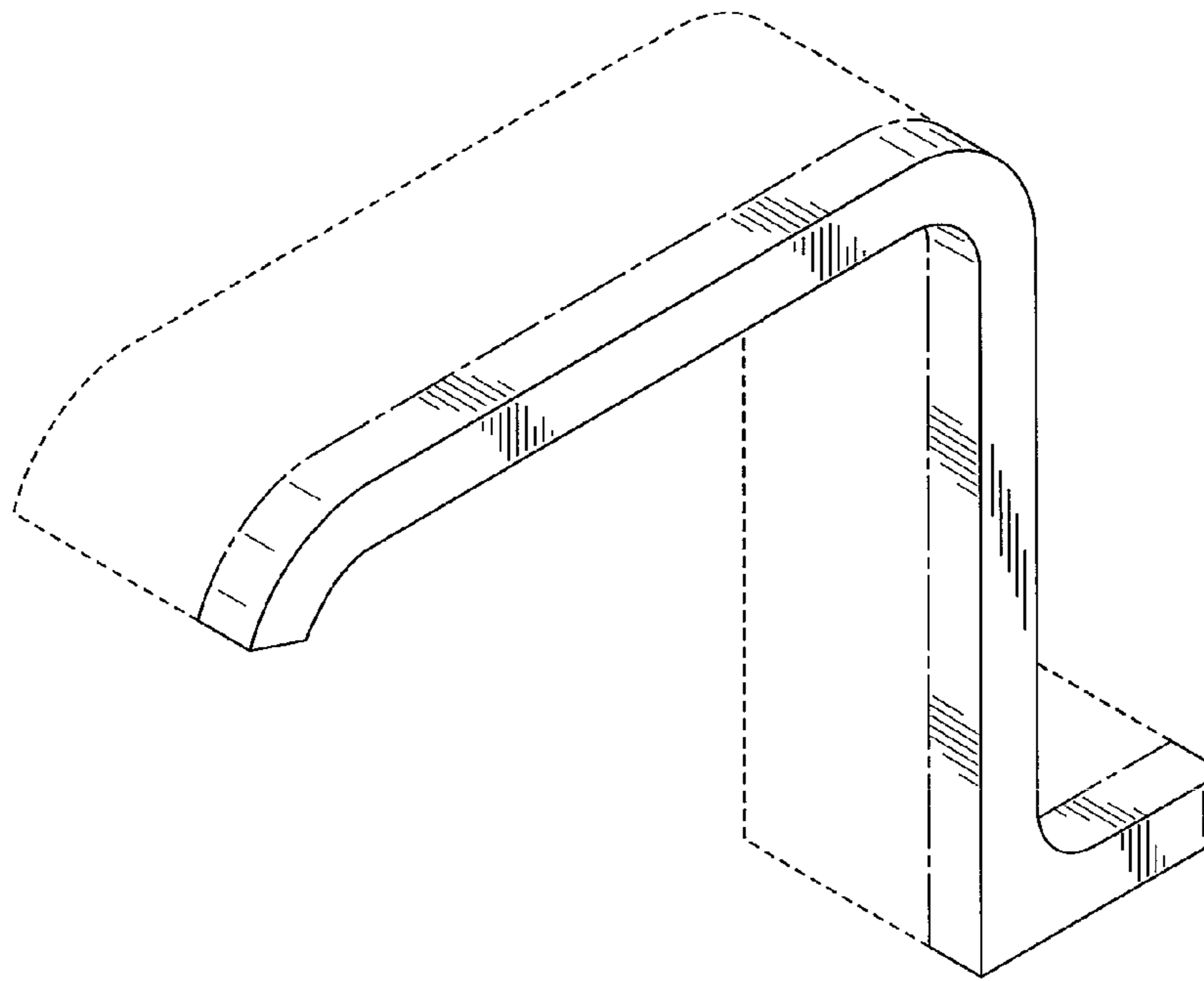


FIG. 1

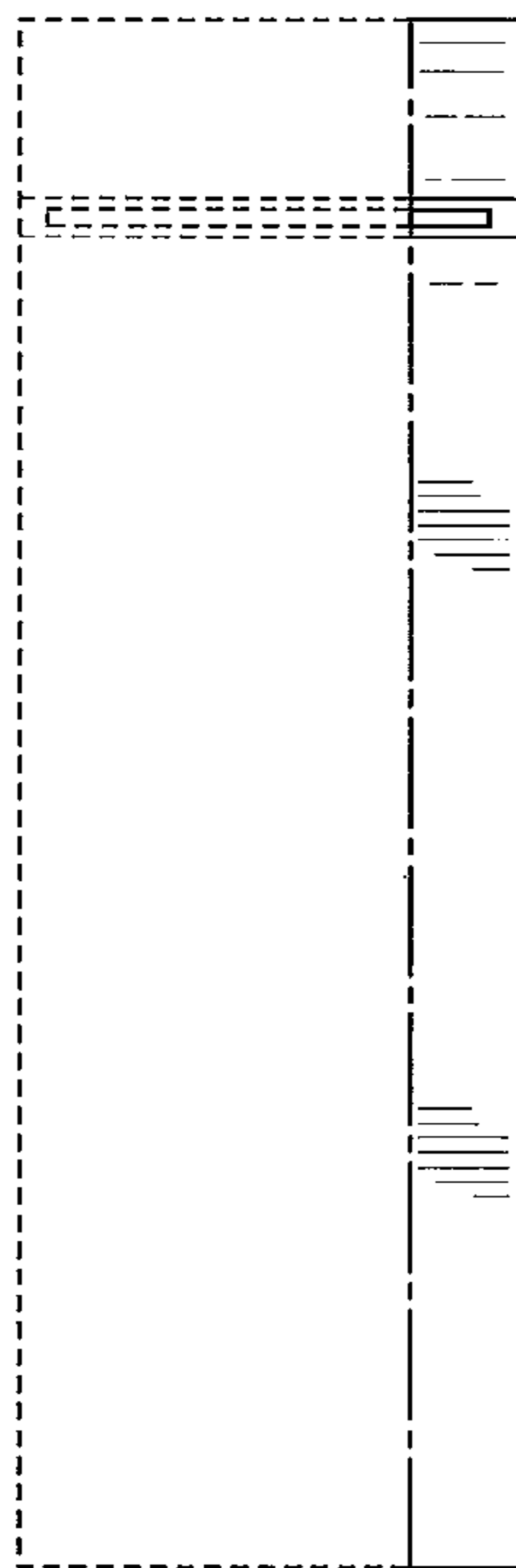


FIG. 2

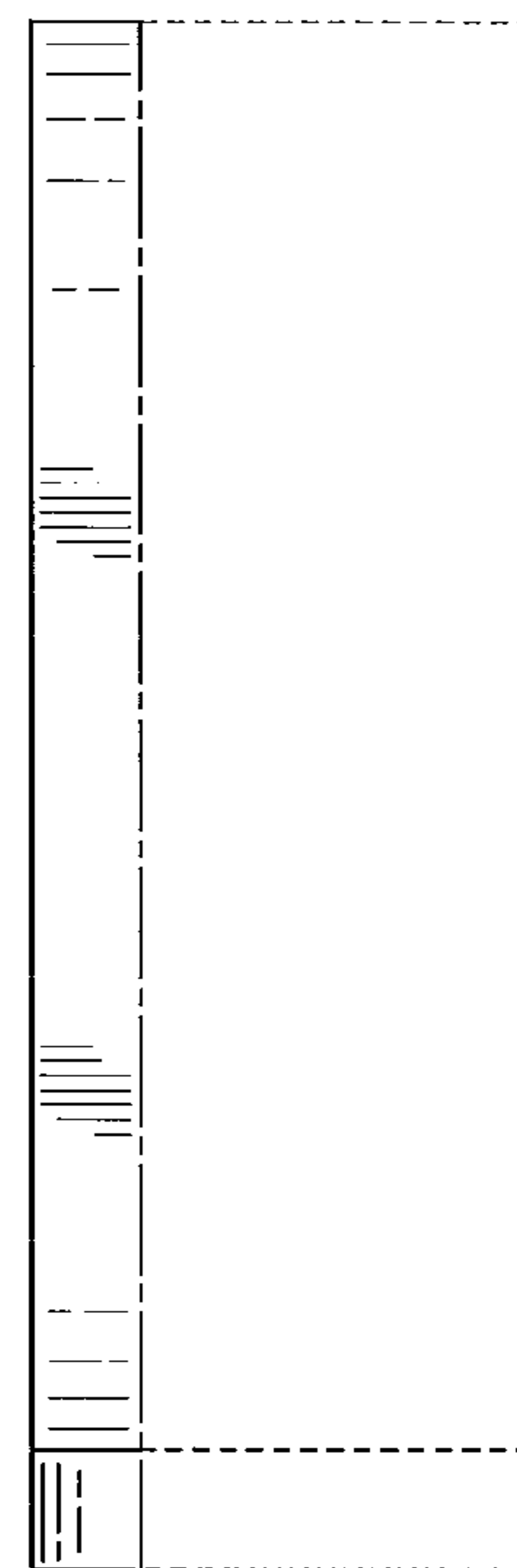


FIG. 3

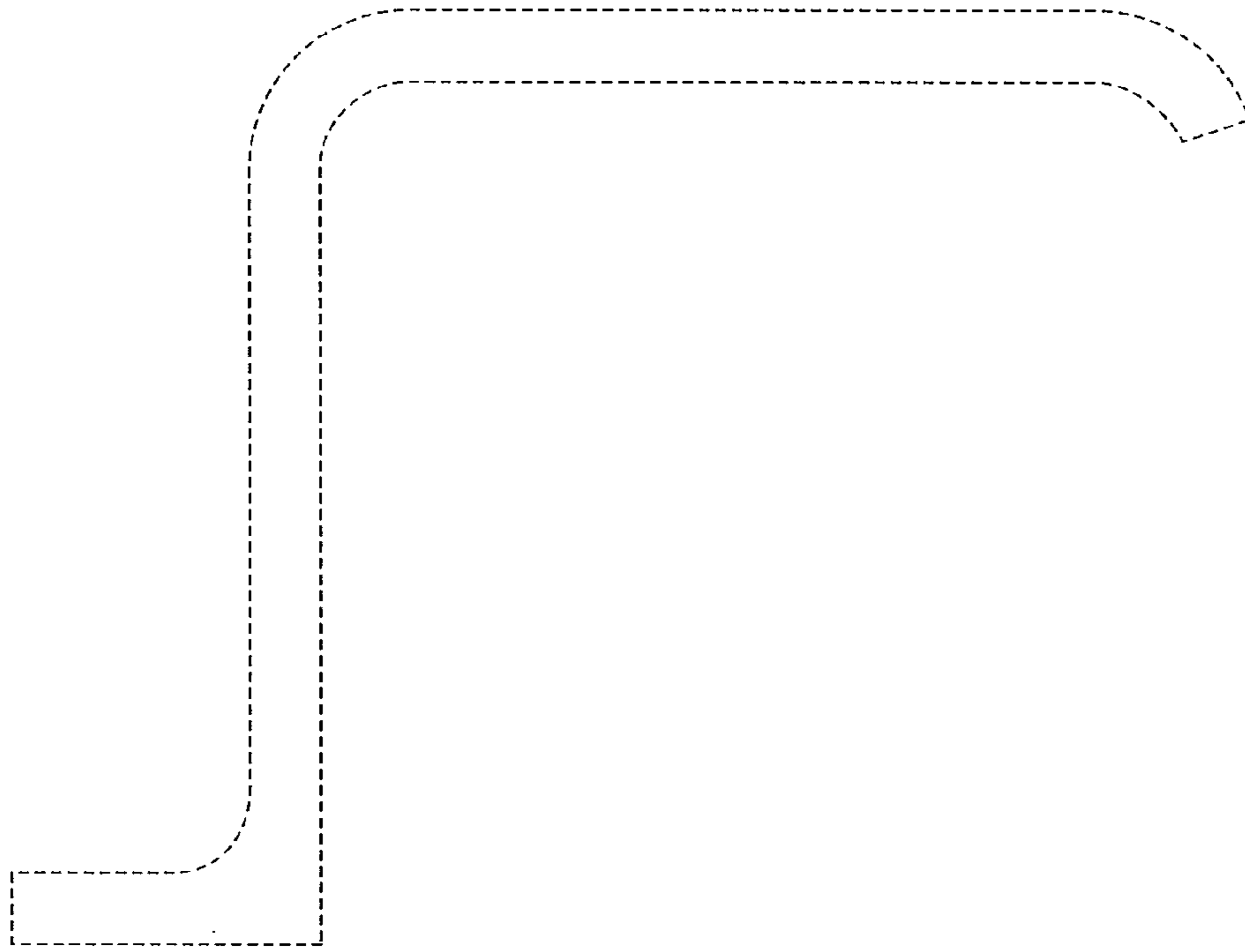


FIG. 4

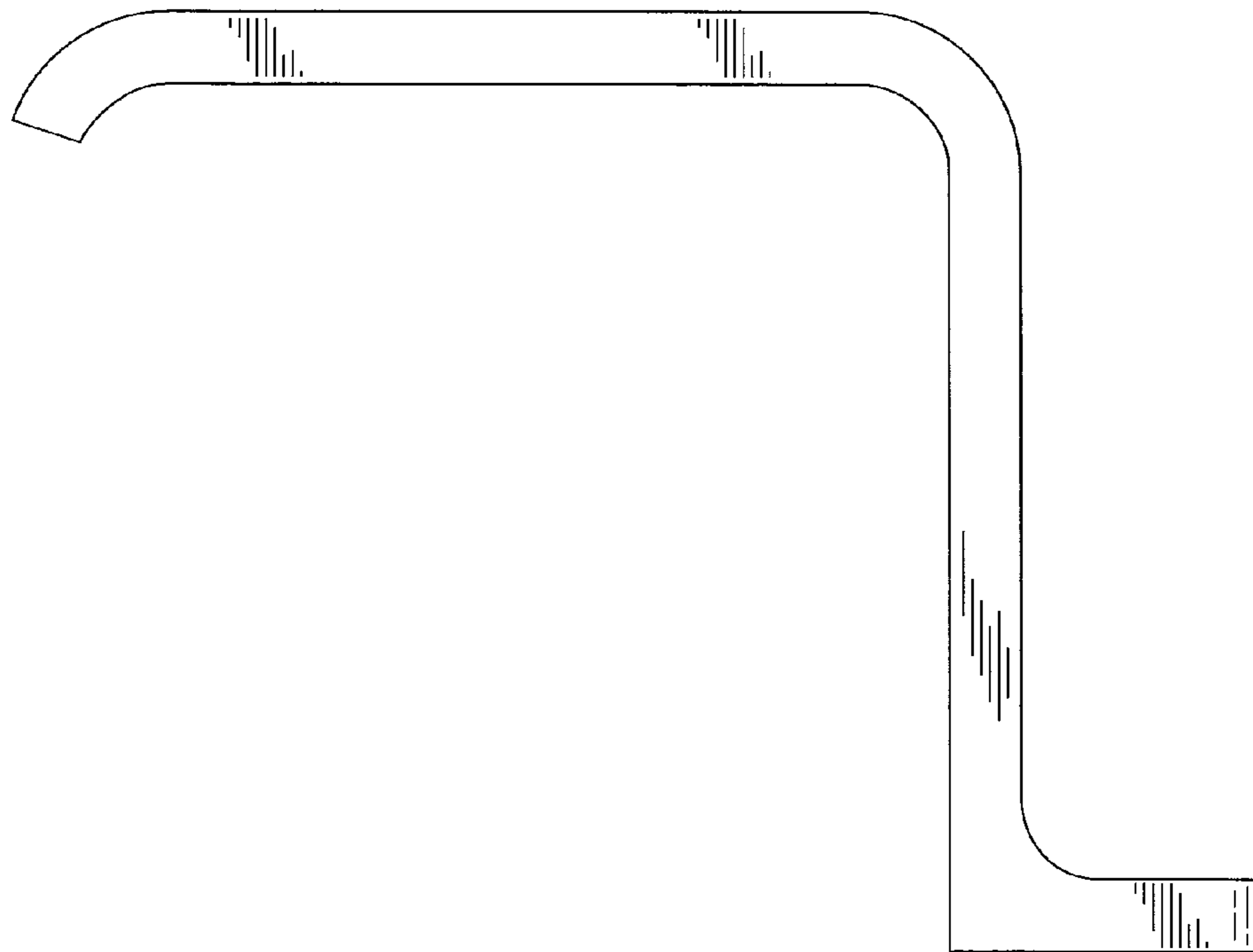


FIG. 5

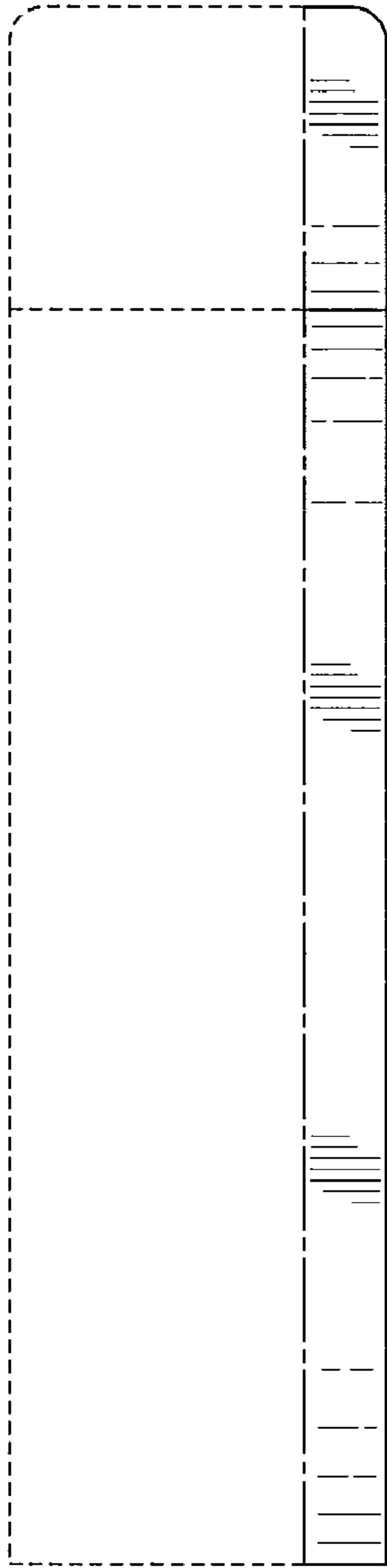


FIG. 6

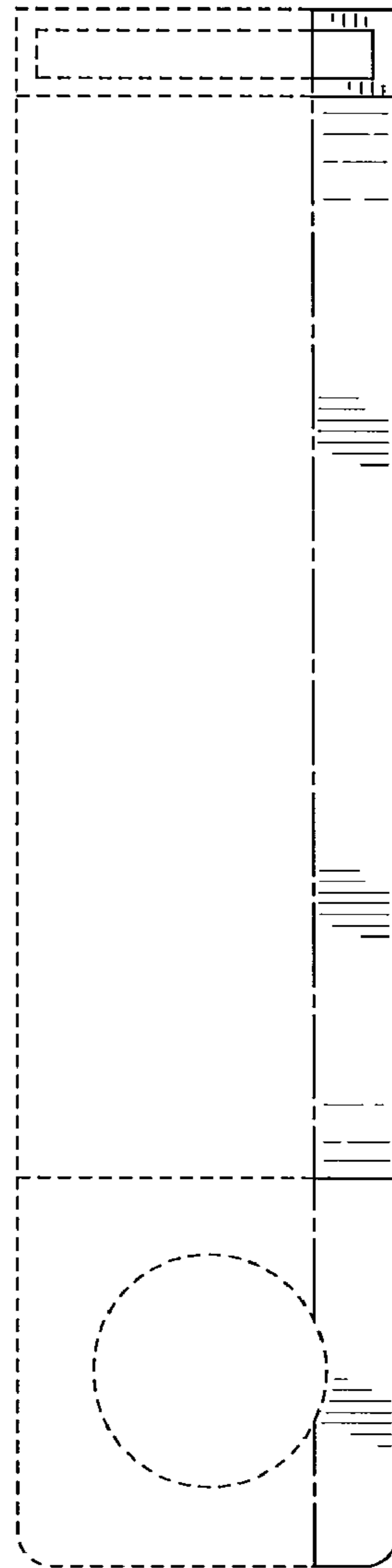


FIG. 7