



US00D622821S

(12) **United States Design Patent**
Sandee et al.

(10) **Patent No.:** **US D622,821 S**

(45) **Date of Patent:** **** Aug. 31, 2010**

(54) **SPOUT**

(75) Inventors: **Coralee S. Sandee**, Sheboygan, WI (US); **Howard M. Montgomery**, Skokie, IL (US); **Herbert V. Kohler, Jr.**, Kohler, WI (US)

(73) Assignee: **Kohler Co.**, Kohler, WI (US)

(**) Term: **14 Years**

(21) Appl. No.: **29/342,315**

(22) Filed: **Aug. 21, 2009**

(51) **LOC (9) Cl.** **23-02**

(52) **U.S. Cl.** **D23/255**

(58) **Field of Classification Search** D23/238–243,
D23/255–257; 4/676–678; 137/801

See application file for complete search history.

(56) **References Cited**

U.S. PATENT DOCUMENTS

D519,617 S * 4/2006 Hoernig D23/255
D557,383 S * 12/2007 Garner D23/255
D611,575 S * 3/2010 Schoenherr et al. D23/257

OTHER PUBLICATIONS

Harden. "Harden 74 Series". Harden catalog p. 41.
Kohler Co. "Alterna® widespread lavatory faucet" Model No. K-7980-4. Copyright © 2008 Kohler Co.

* cited by examiner

Primary Examiner—Robert A Delehanty
(74) *Attorney, Agent, or Firm*—Quarles & Brady LLP

(57) **CLAIM**

The ornamental design for a spout, as shown and described.

DESCRIPTION

FIG. 1 is a right, top, front perspective view of a spout according to our new design;

FIG. 2 is a top plan view thereof;

FIG. 3 is a right side elevational view thereof, the left side elevational view thereof being a mirror image of the right side shown;

FIG. 4 is a front elevational view thereof;

FIG. 5 is a bottom plan view thereof; and,

FIG. 6 is a rear elevational view thereof.

The broken line representations in the figures are for the purpose of illustration only, and form no part of the claimed design.

In a preferred embodiment, the nature of this product is a plumbing fitting in the form of a spout, such as used with a bathtub for washing.

1 Claim, 3 Drawing Sheets

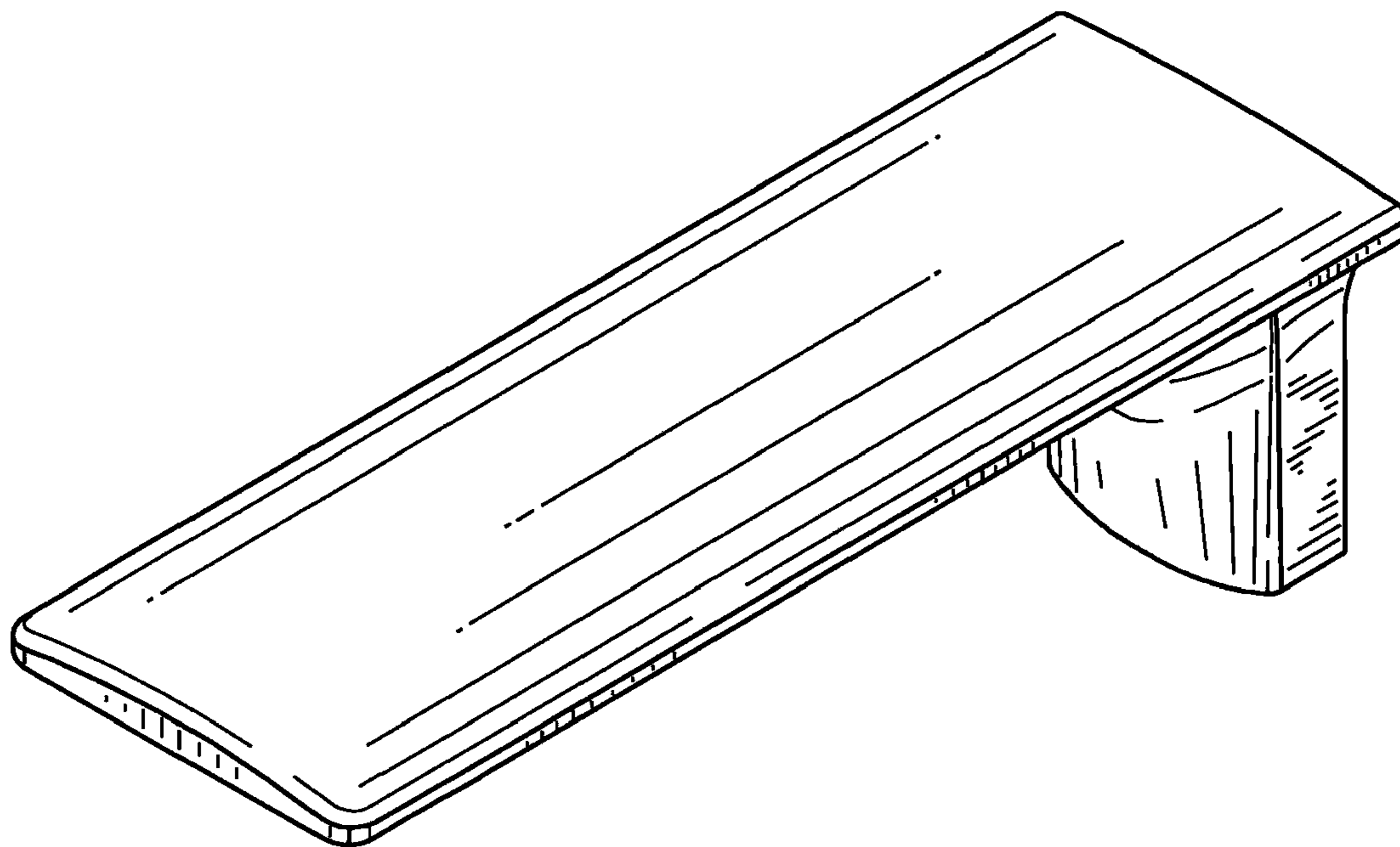


FIG. 1

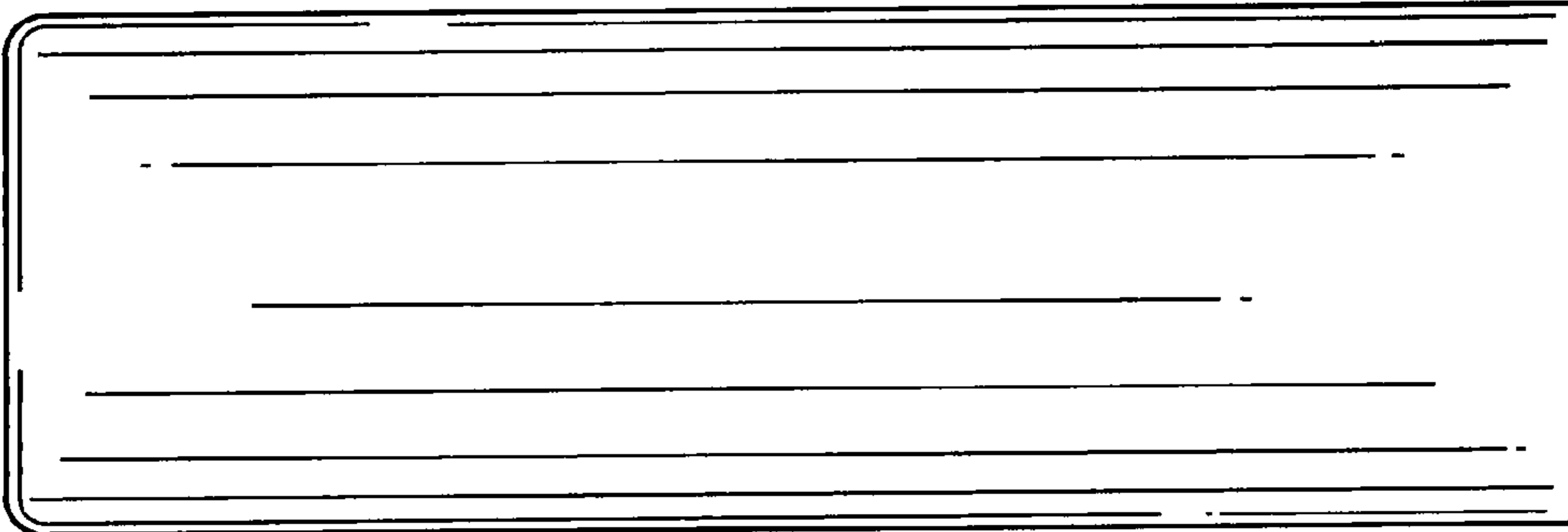
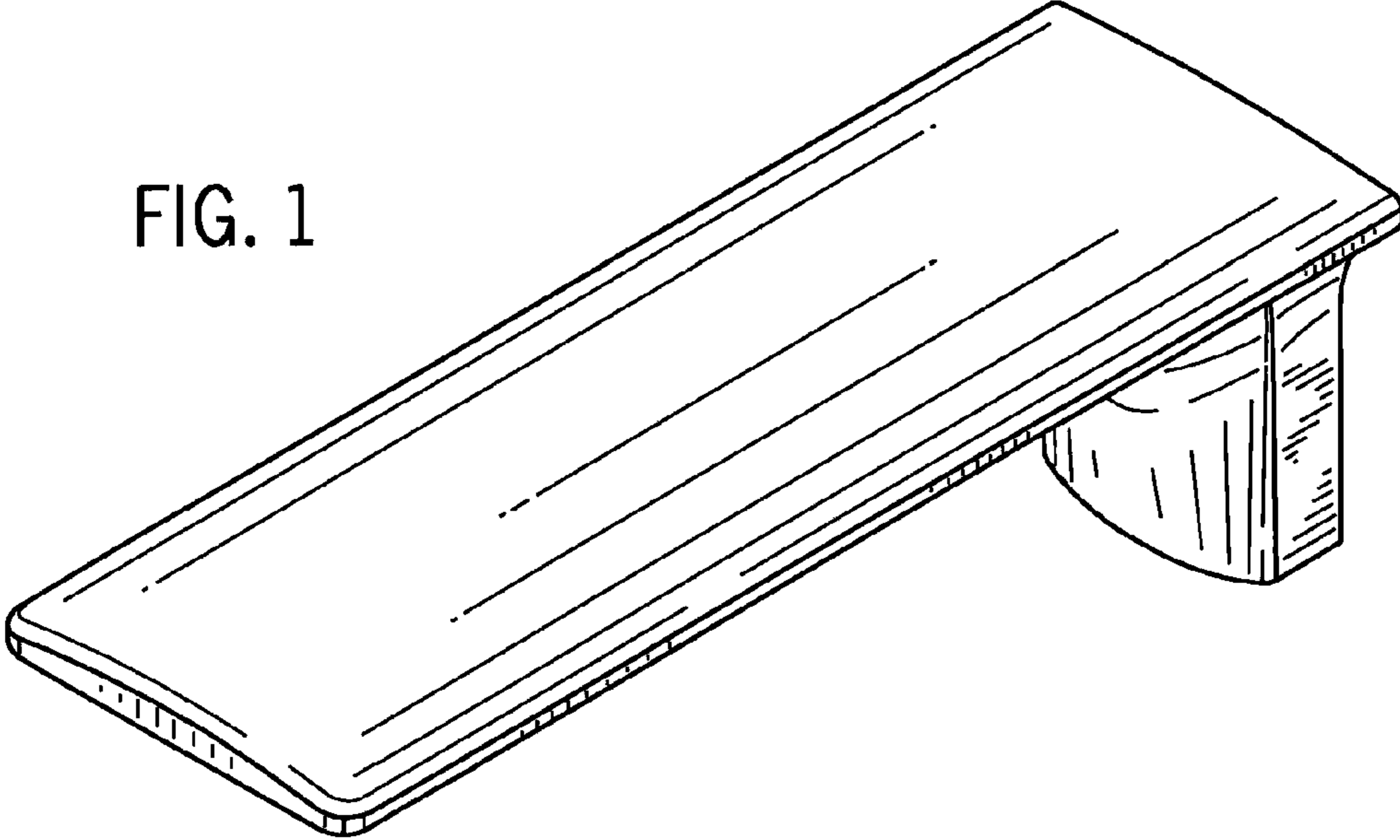


FIG. 2

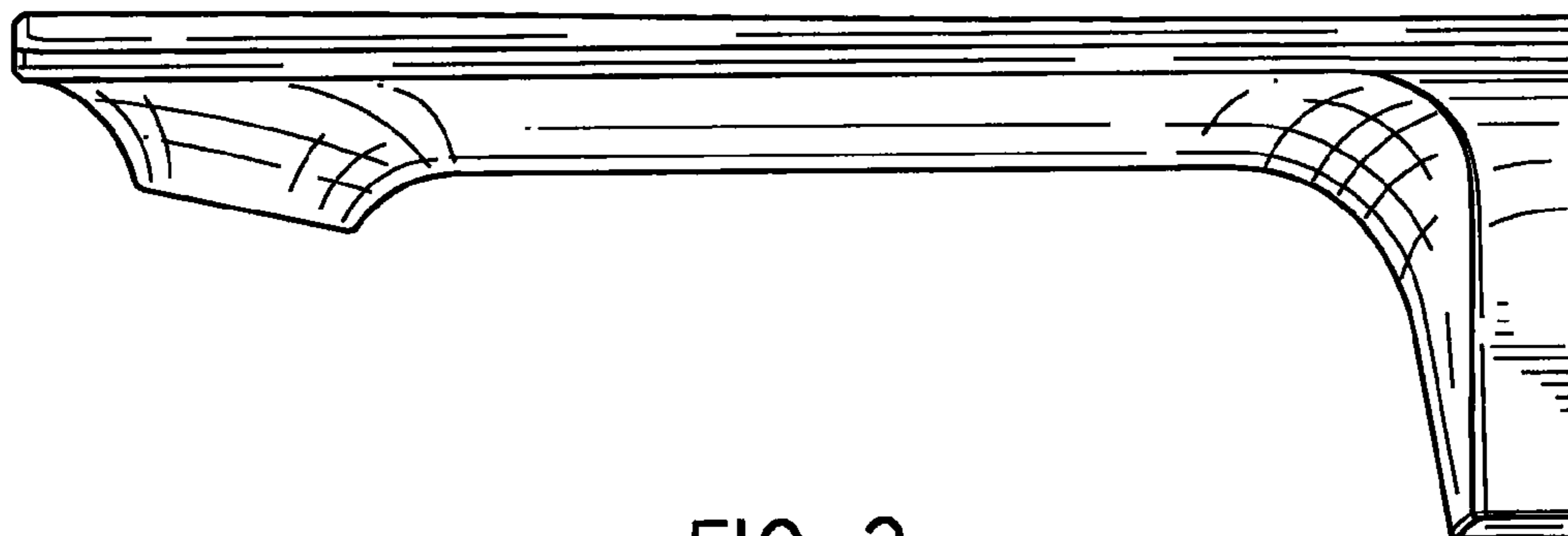


FIG. 3

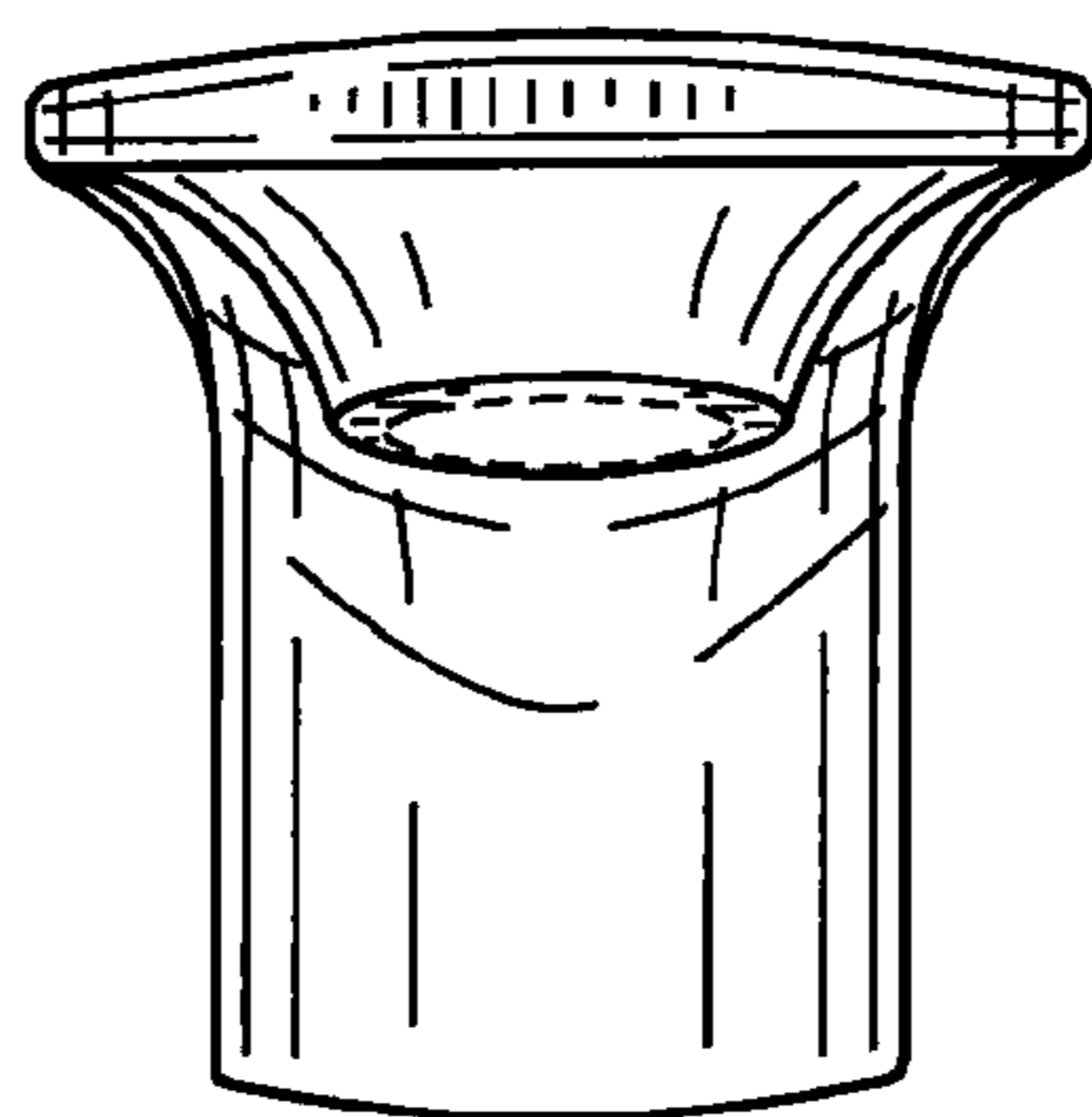


FIG. 4

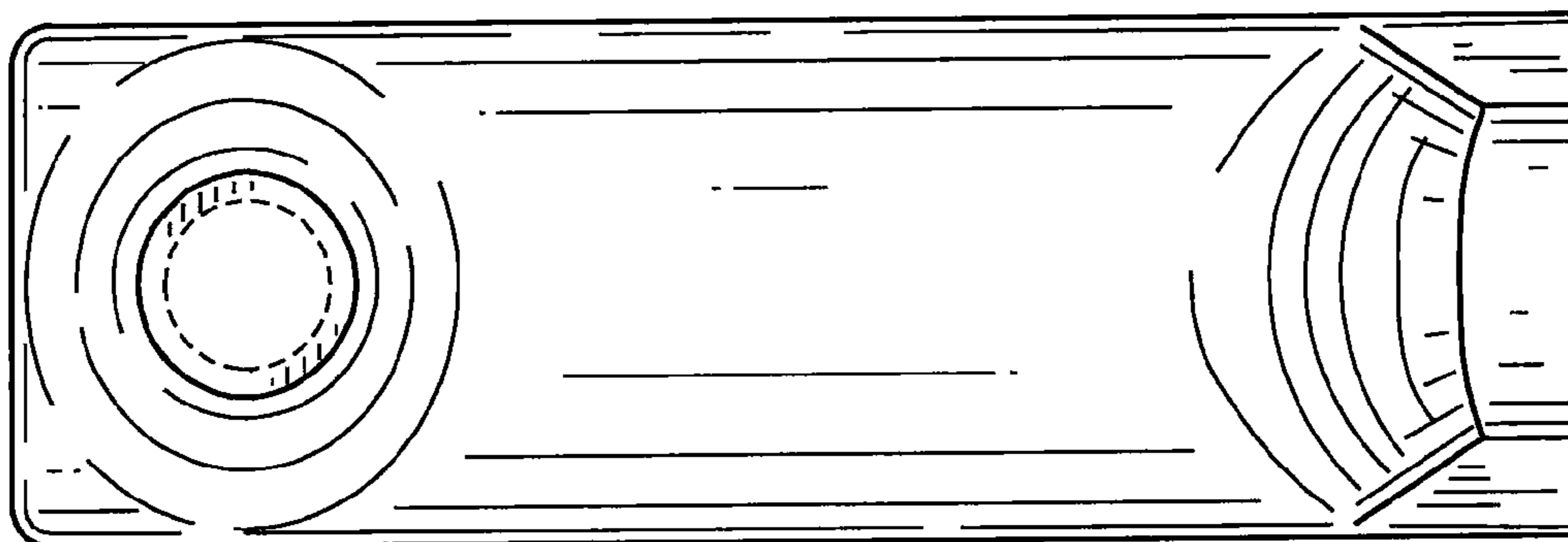


FIG. 5

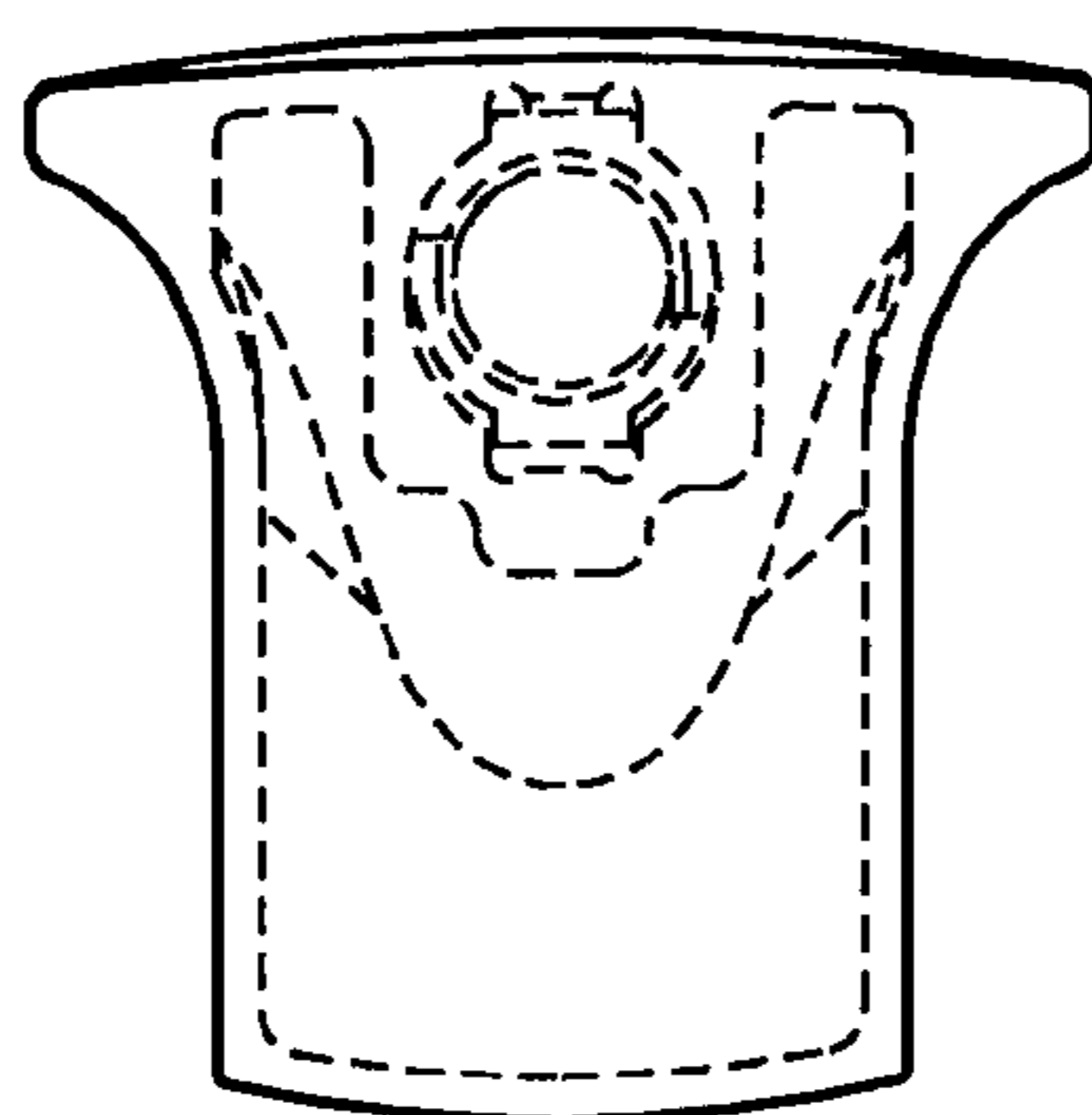


FIG. 6