



US00D622820S

(12) **United States Design Patent**
Bouroullec et al.

(10) **Patent No.:** **US D622,820 S**

(45) **Date of Patent:** **** Aug. 31, 2010**

(54) **HANDLE**

D597,180 S * 7/2009 Starck D23/254
D613,825 S * 4/2010 Ishikawa et al. D23/254

(75) Inventors: **Erwan Bouroullec**, Paris (FR); **Ronan Bouroullec**, Paris (FR)

(73) Assignee: **Hansgrohe AG**, Schiltach (DE)

(**) Term: **14 Years**

(21) Appl. No.: **29/342,196**

(22) Filed: **Aug. 20, 2009**

(30) **Foreign Application Priority Data**

Jun. 3, 2009 (EM) 001101125-0008

(51) **LOC (9) Cl.** **23-01**

(52) **U.S. Cl.** **D23/254**

(58) **Field of Classification Search** D23/238-243,
D23/250, 252, 254; 4/676-677; D8/350-353,
D8/308; 137/350-353

See application file for complete search history.

(56) **References Cited**

U.S. PATENT DOCUMENTS

D538,895 S * 3/2007 Sallick et al. D23/250

OTHER PUBLICATIONS

Brochure—xsAcqua, 3 pgs., Fratelli Fantini s.p.a., Pella, Italy (at least as early as Sep. 30, 2006).

Brochure—design 03, 3 pgs., Carlo Nobili S.p.A. Rubinetterie, Borgomanero, Italy (at least as early as Sep. 27, 2005).

Brochure—Leaf, 3 pgs., Teuco Guzzini S.p.A., Montelupone, Italy (at least as early as Mar. 15, 2005).

* cited by examiner

Primary Examiner—Robert A Delehanty

(74) *Attorney, Agent, or Firm*—Nirav D. Parikh; Edgar A. Zarins

(57) **CLAIM**

The ornamental design for a handle, as shown and described.

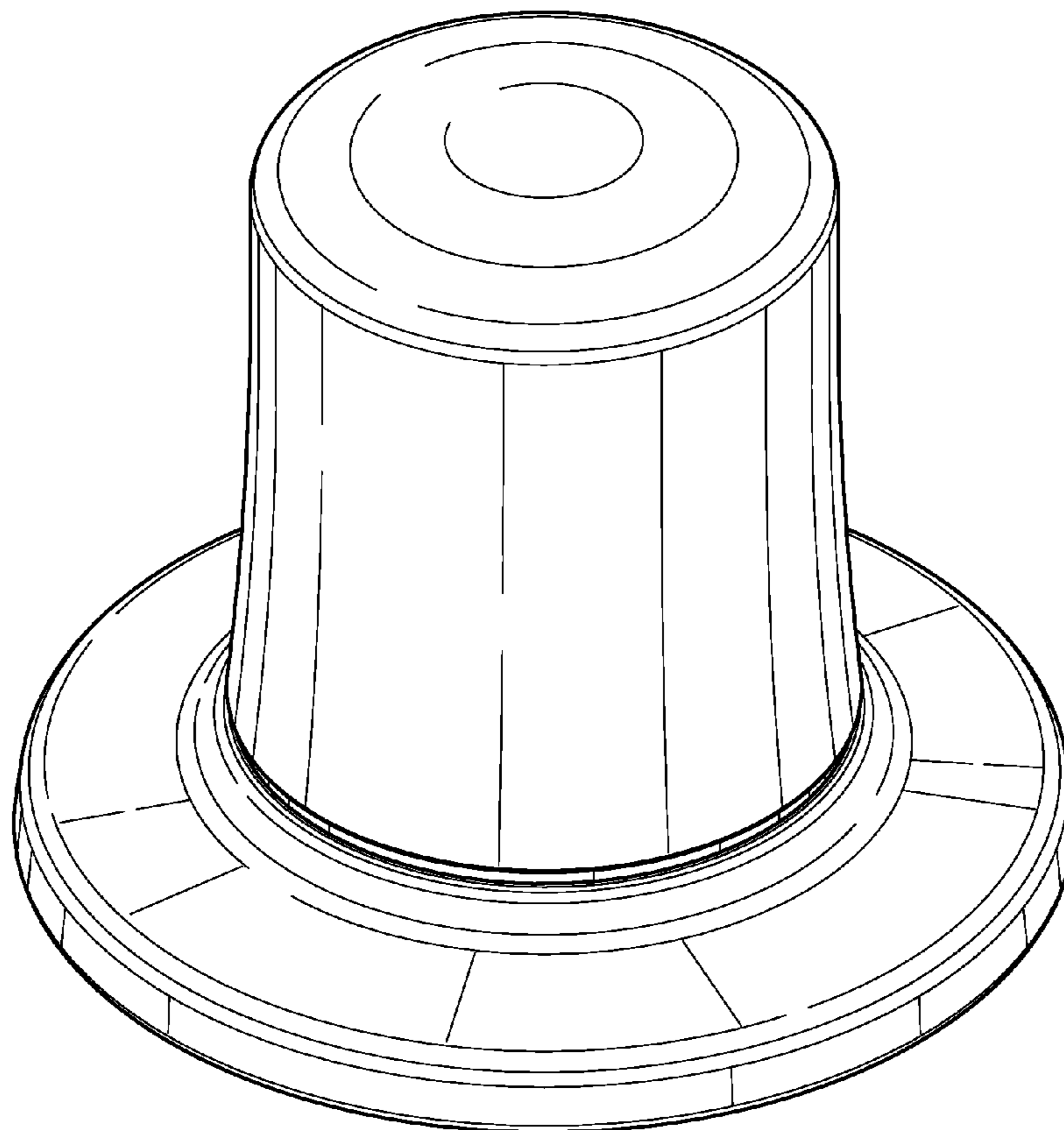
DESCRIPTION

FIG. 1 is a perspective view of a handle showing our design;

FIG. 2 is a front elevational view thereof; and,

FIG. 3 is a top plan view thereof.

1 Claim, 3 Drawing Sheets



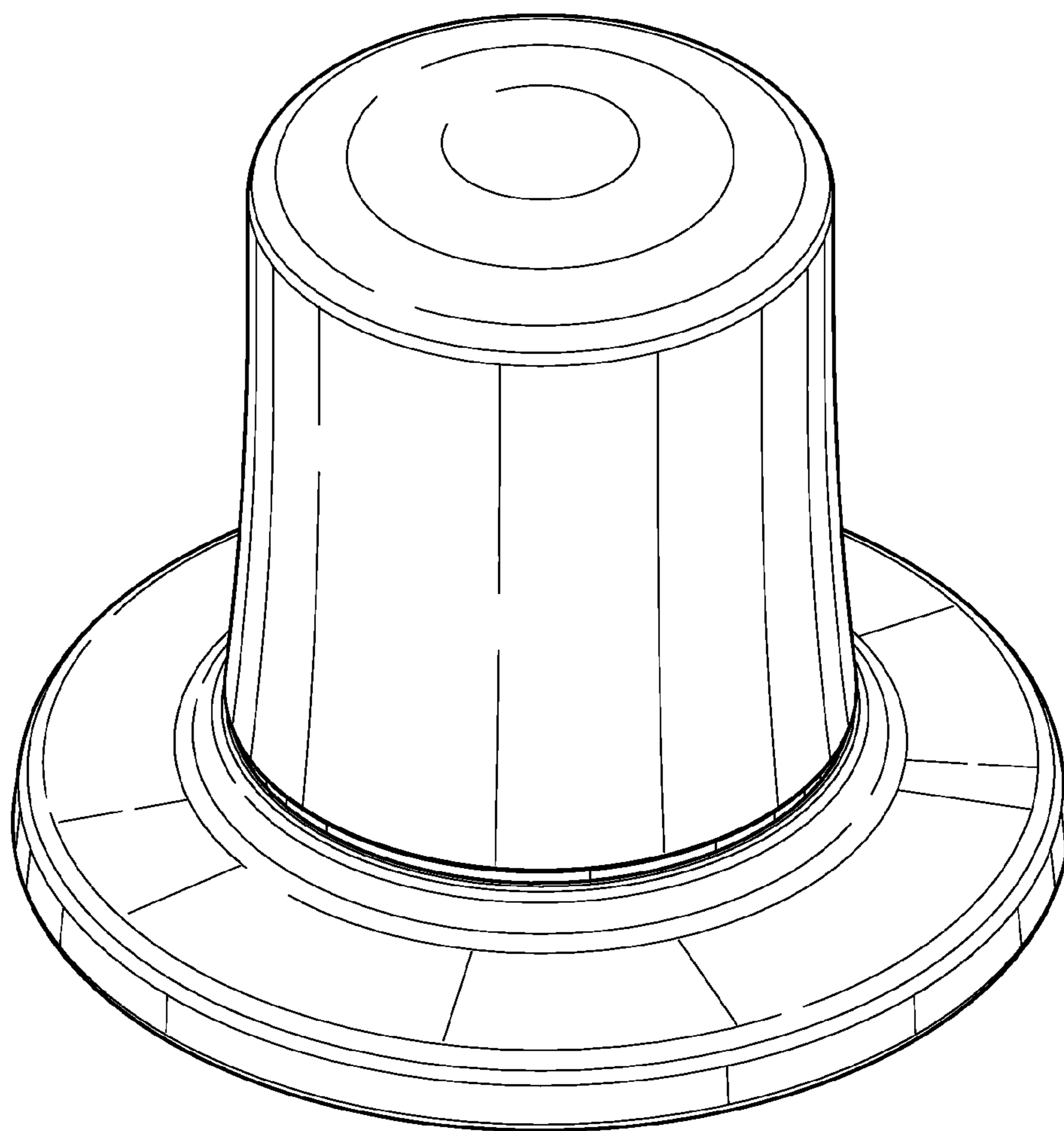


FIG. 1

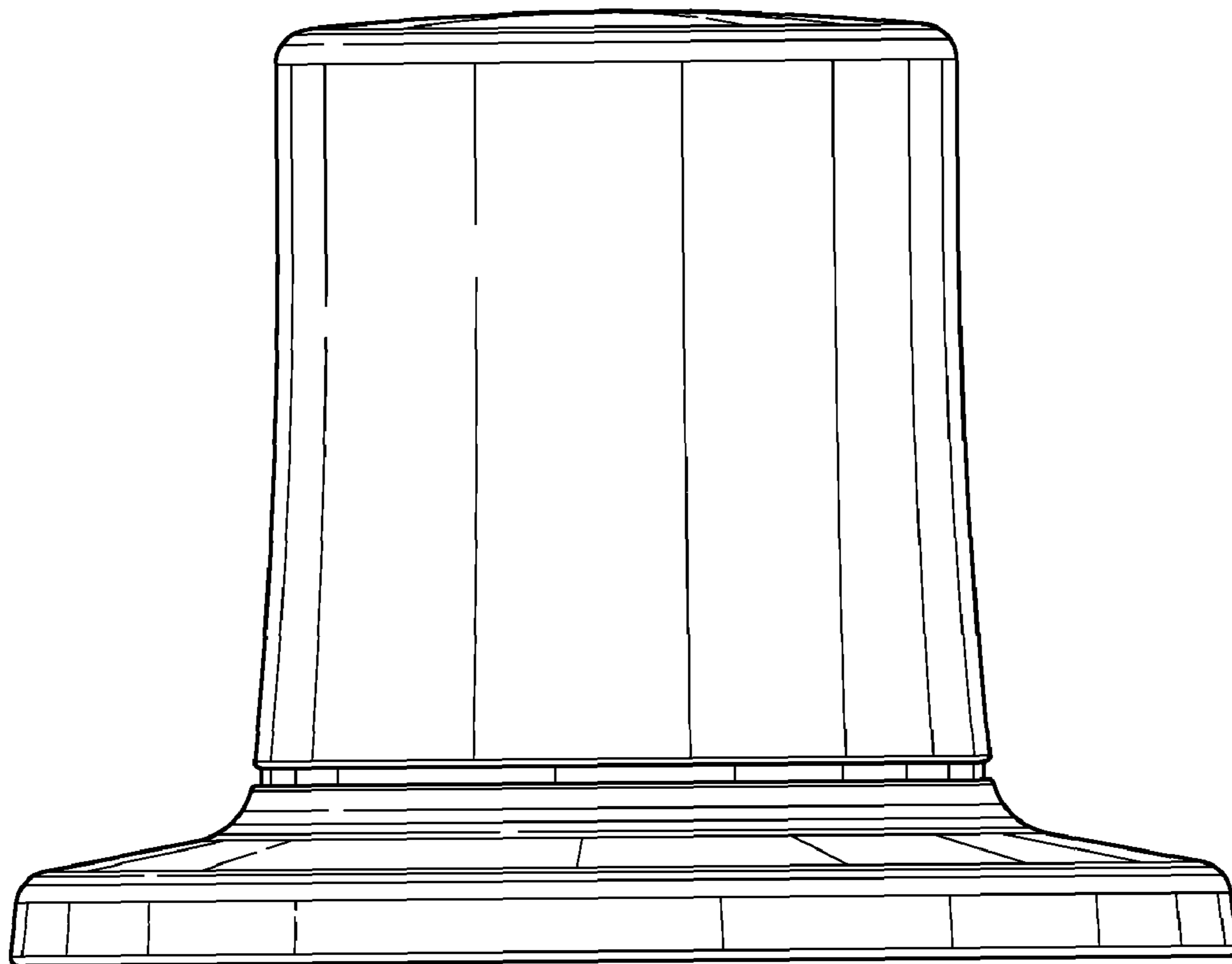


FIG. 2

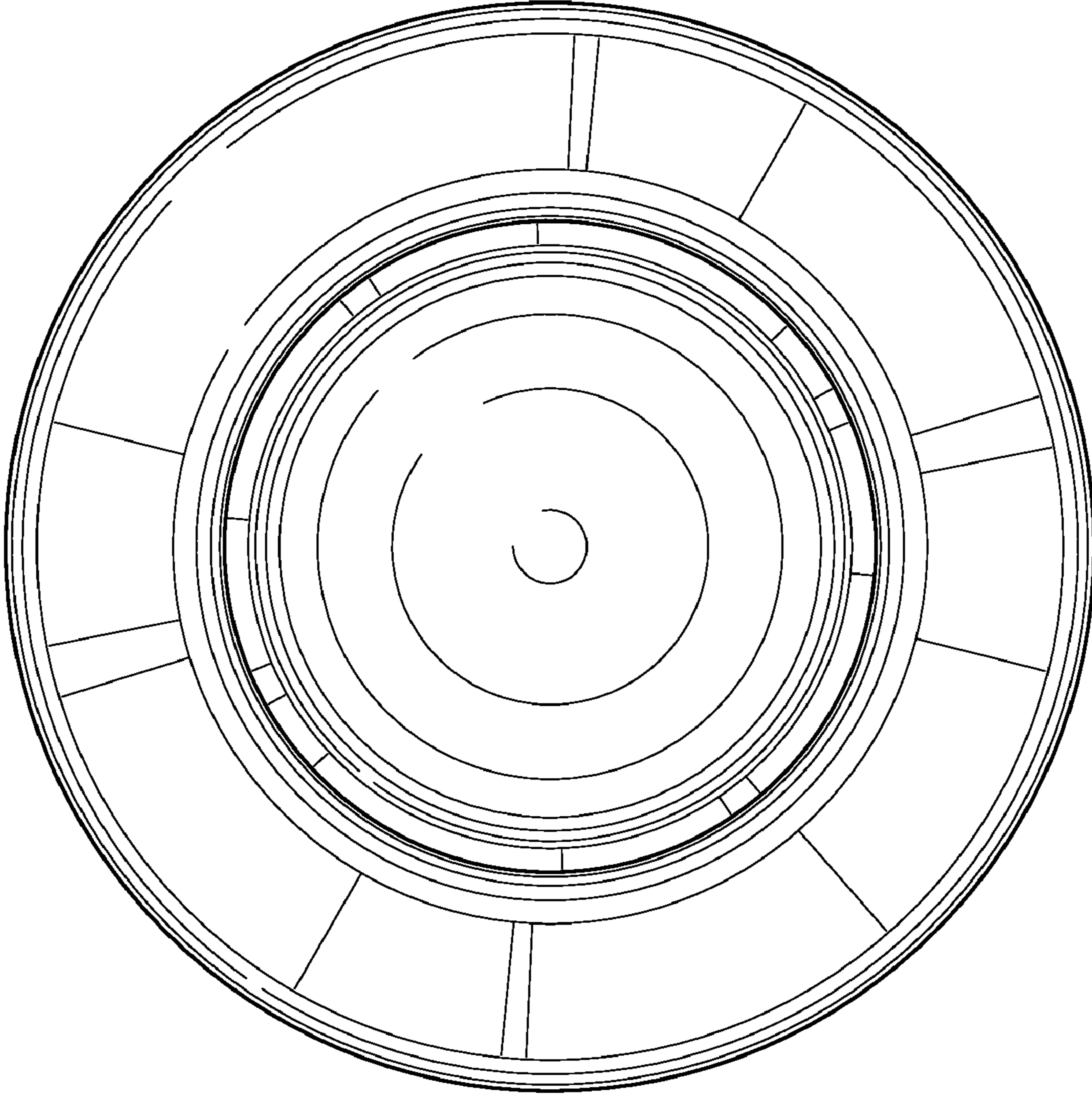


FIG. 3