



US00D622818S

(12) **United States Design Patent**
Stein

(10) **Patent No.:** **US D622,818 S**

(45) **Date of Patent:** **** Aug. 31, 2010**

(54) **FLOW REGULATOR**

(75) Inventor: **Alexander Stein**, Ihringen (DE)

(73) Assignee: **Neoperl GmbH**, Mullheim (DE)

(**) Term: **14 Years**

(21) Appl. No.: **29/341,362**

(22) Filed: **Aug. 4, 2009**

D536,066 S	1/2007	Grether	
D536,067 S	1/2007	Grether	
D536,069 S	1/2007	Grether	
D536,424 S *	2/2007	Grether D23/249
D539,390 S	3/2007	Grether	
D539,872 S	4/2007	Grether	
D539,873 S	4/2007	Grether	
D550,818 S *	9/2007	Grether D23/249
D570,961 S *	6/2008	Grether D23/249
D584,801 S	1/2009	Grether	
D591,403 S	4/2009	Grether	

Related U.S. Application Data

(62) Division of application No. 29/332,608, filed on Feb. 20, 2009.

* cited by examiner

Primary Examiner—Cathron C. Brooks

Assistant Examiner—Maurice Stevens

(74) *Attorney, Agent, or Firm*—Volpe and Koenig, P. C.

(30) **Foreign Application Priority Data**

Aug. 27, 2008	(EM)	000992797-0004
Aug. 27, 2008	(EM)	000992797-0009
Aug. 27, 2008	(EM)	000992797-0010
Aug. 27, 2008	(EM)	000992797-0021
Aug. 27, 2008	(EM)	000992797-0022
Aug. 27, 2008	(EM)	000992797-0040
Aug. 27, 2008	(EM)	000992797-0044
Aug. 27, 2008	(EM)	000992797-0048

(57) **CLAIM**

The ornamental design for a flow regulator, as shown and described.

DESCRIPTION

FIG. 1 is a top-front perspective view of a flow regulator in accordance with our design;

FIG. 2 is a bottom-rear perspective view thereof;

FIG. 3 is a top plan view thereof;

FIG. 4 is a bottom view thereof; and,

FIG. 5 is a side elevational view thereof, with the opposite side being identical.

The broken lines illustrated form no part of the claimed design.

(51) **LOC (9) Cl.** **23-01**

(52) **U.S. Cl.** **D23/249**

(58) **Field of Classification Search** D23/213,
D23/235–237, 244–249, 259, 260; 138/37,
138/40–42; 239/428.5, 552, 553, 553.5,
239/3; 261/DIG. 22

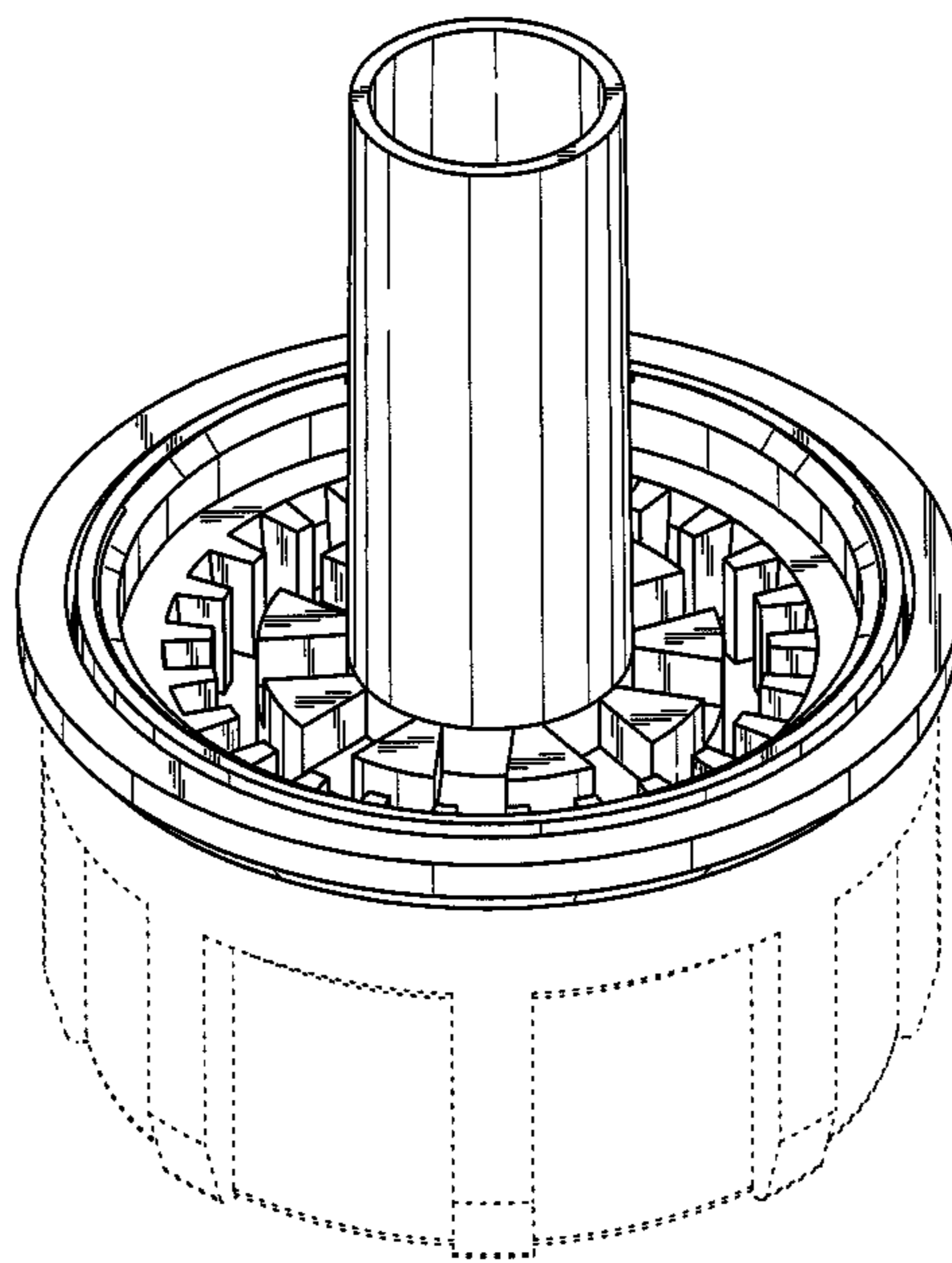
See application file for complete search history.

(56) **References Cited**

U.S. PATENT DOCUMENTS

D533,923 S 12/2006 Grether

1 Claim, 5 Drawing Sheets



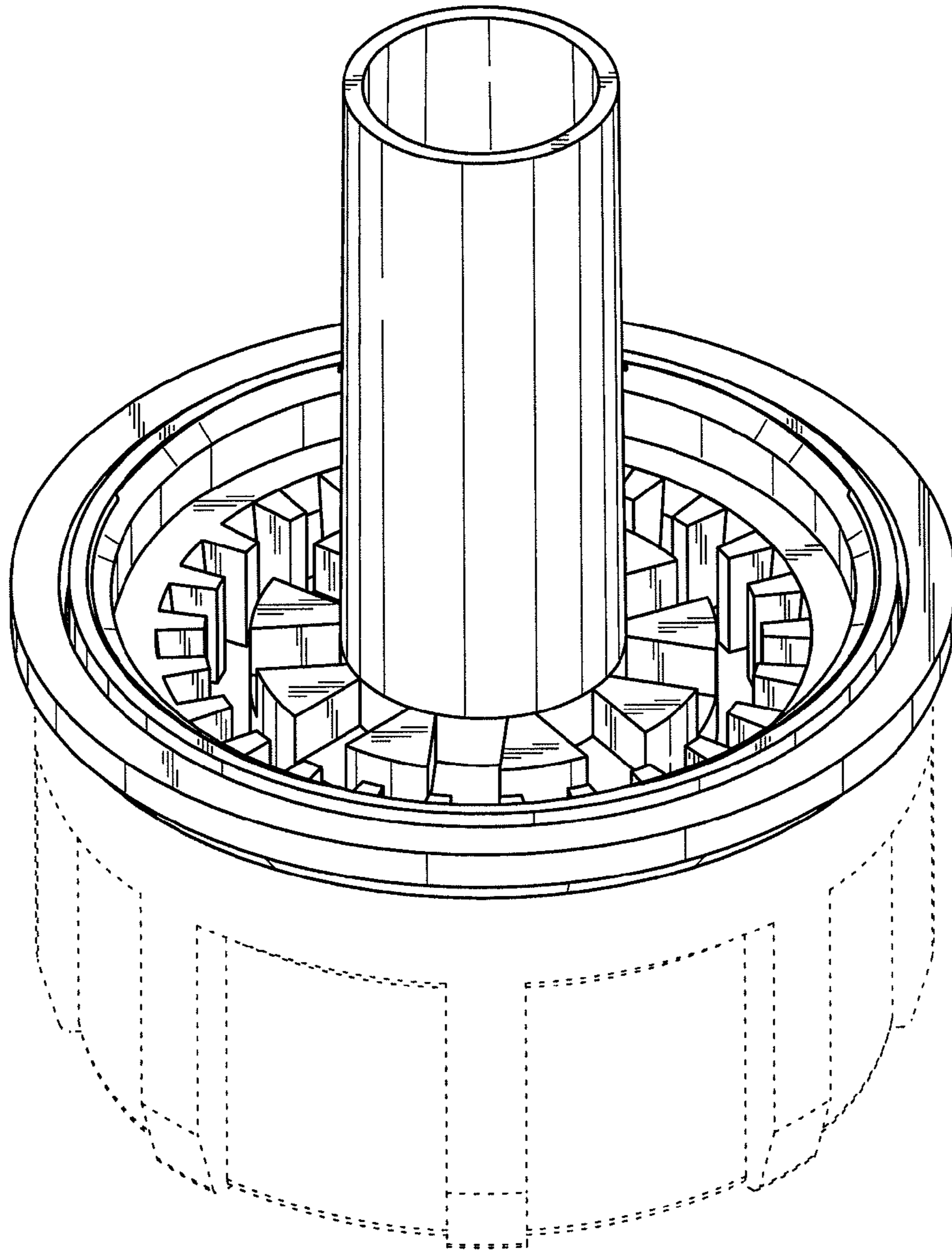


FIG. 1

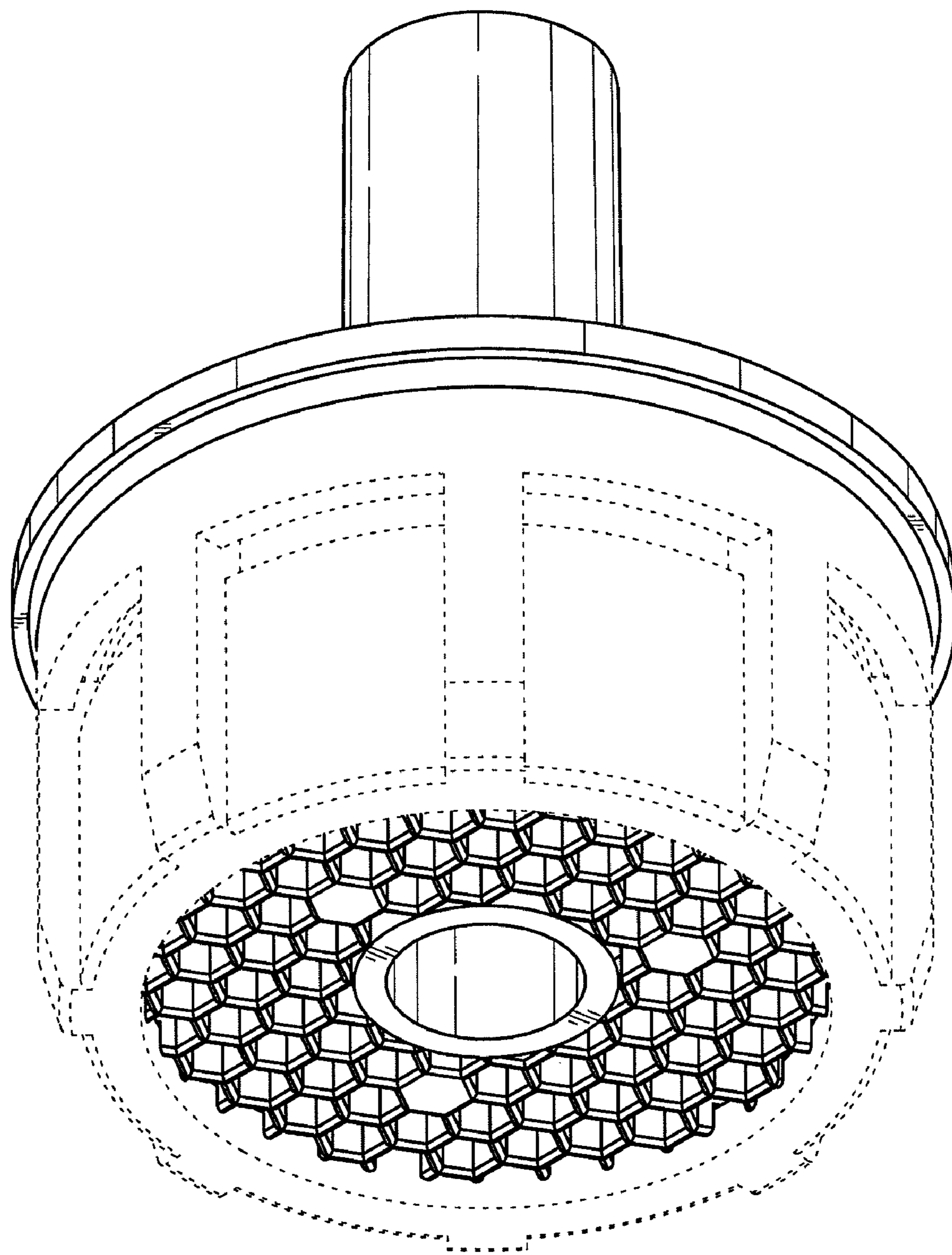


FIG. 2

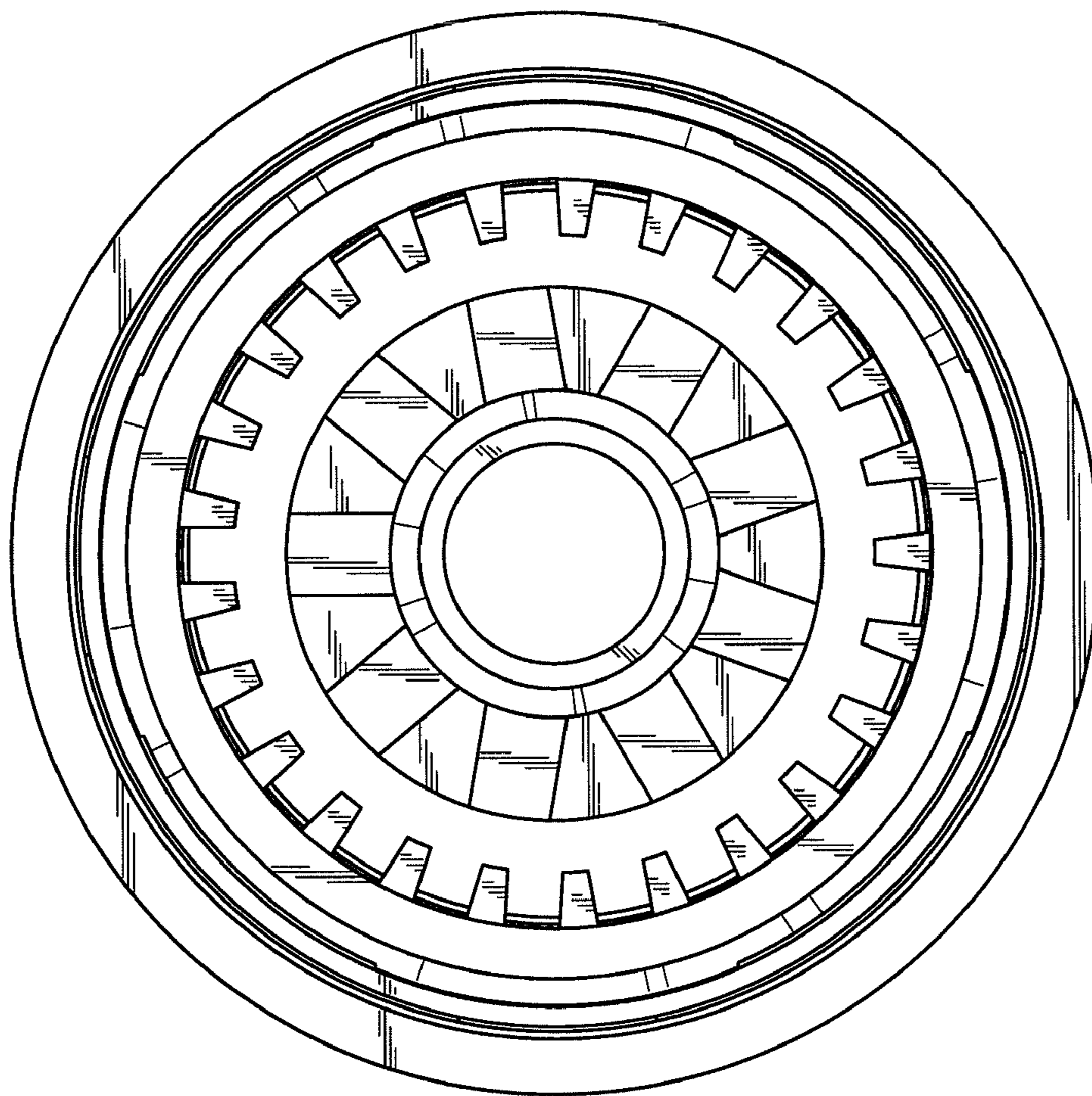


FIG. 3

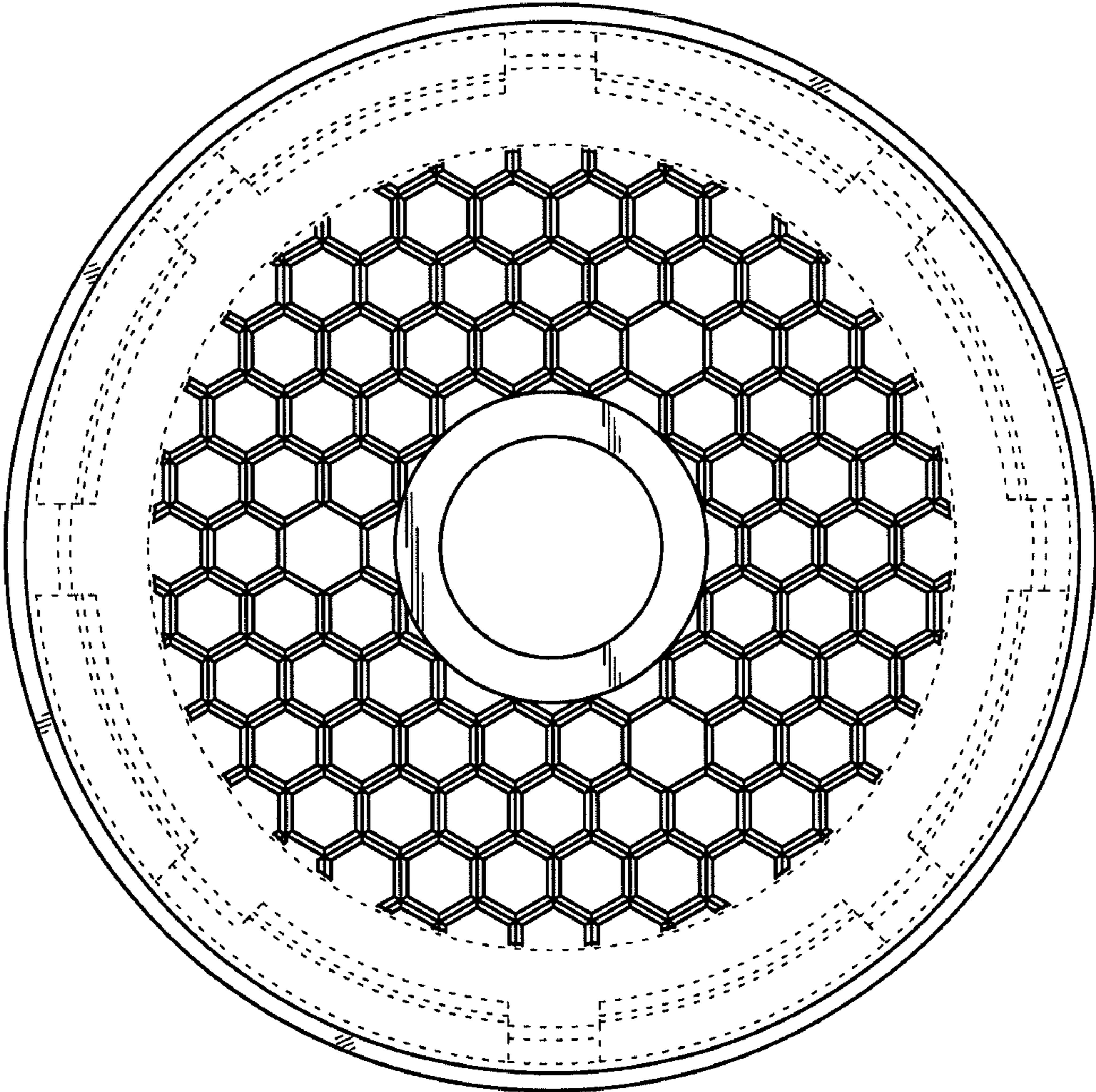


FIG. 4

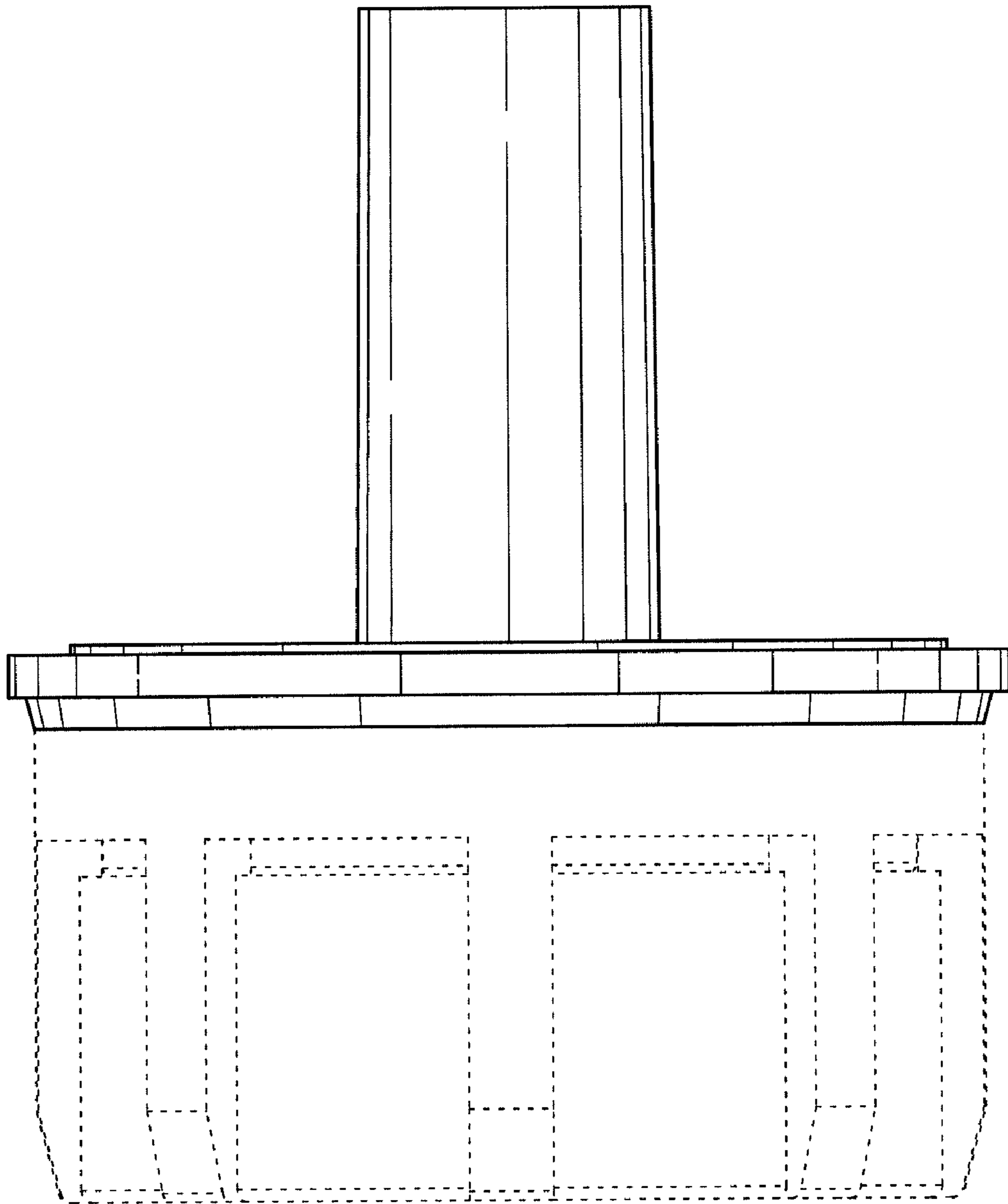


FIG. 5