



US00D622816S

(12) **United States Design Patent**  
**Cummings et al.**

(10) **Patent No.:** **US D622,816 S**

(45) **Date of Patent:** **\*\* Aug. 31, 2010**

(54) **MIXER TAP**

D310,866 S \* 9/1990 Strignano ..... D23/241

(75) Inventors: **Stephen John Cummings**, Newport (AU); **David Giorgio**, Five Dock (AU)

(Continued)

(73) Assignee: **Caroma Industries Limited**, Brisbane (AU)

**FOREIGN PATENT DOCUMENTS**

AU 12594/2008 5/2008

(\*\*) Term: **14 Years**

(21) Appl. No.: **29/362,341**

(Continued)

(22) Filed: **May 24, 2010**

*Primary Examiner*—T. Chase Nelson

*Assistant Examiner*—Mark Cavanna

(74) *Attorney, Agent, or Firm*—Dascenzo Intellectual Property Law, P.C.

**Related U.S. Application Data**

(62) Division of application No. 29/328,320, filed on Nov. 21, 2008.

(57) **CLAIM**

We claim the ornamental design for a mixer tap, as shown and described.

(30) **Foreign Application Priority Data**

May 28, 2008 (AU) ..... 12592/2008

Nov. 12, 2008 (AU) ..... 15347/2008

**DESCRIPTION**

(51) **LOC (9) Cl.** ..... **23-01**

(52) **U.S. Cl.** ..... **D23/238**

(58) **Field of Classification Search** ..... D23/200, D23/238–257; D6/512, 546, 550; D8/300, D8/307–308, 310–312, 321; 4/675–678; 137/801; 16/110.1, 441

See application file for complete search history.

FIG. 1 is an isometric front view showing the new design.

FIG. 2 is an isometric rear view of the new design.

FIG. 3 is a front view of the new design.

FIG. 4 is a rear view of the new design.

FIG. 5 is a right side view of the new design.

FIG. 6 is a left side view of the new design.

FIG. 7 is a top view of the new design; and,

FIG. 8 is a bottom view of the new design.

The broken line(s) shown in the drawings are for illustrative purposes only and form no part of the claimed design.

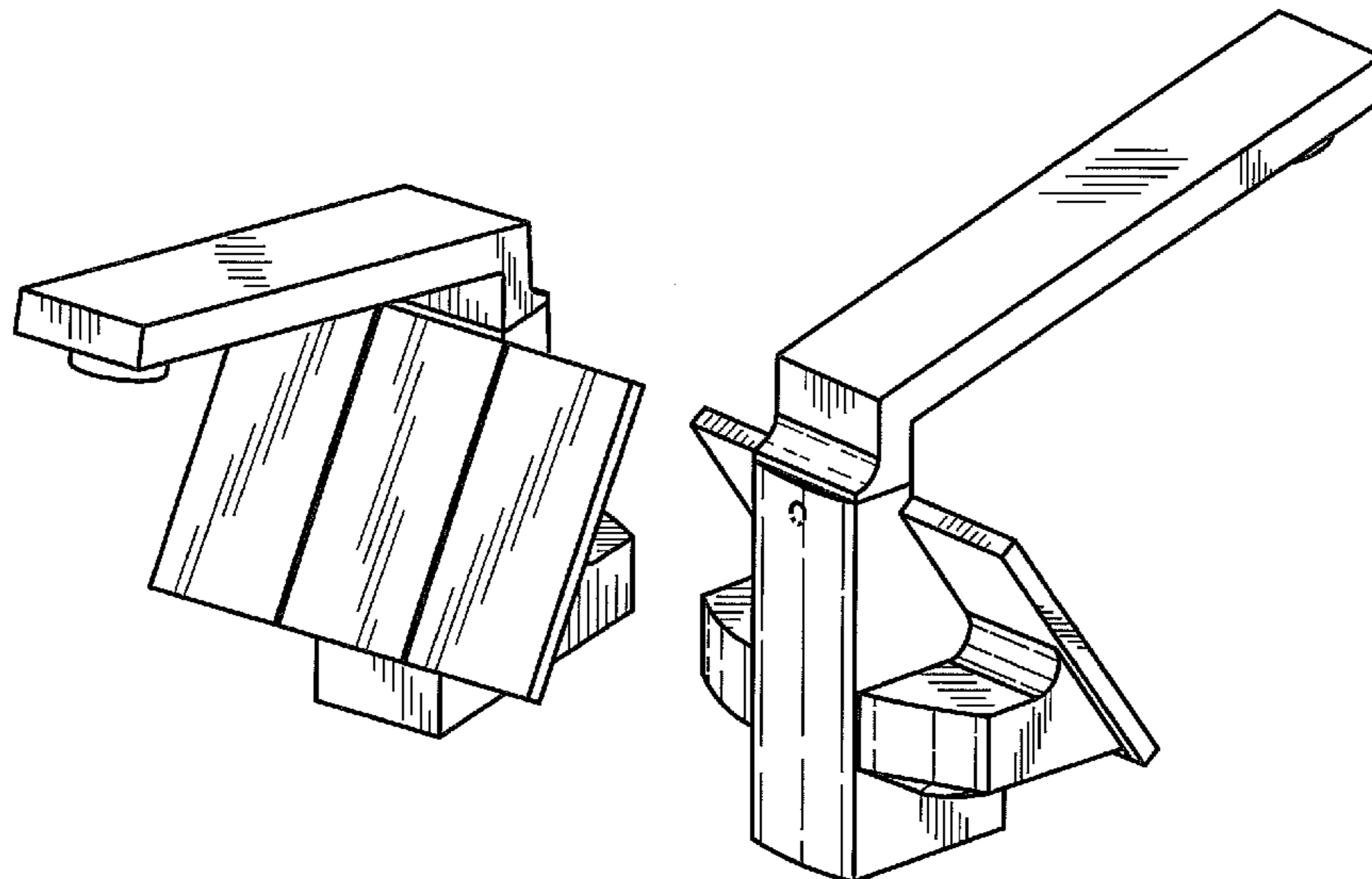
The shading lines shown in the drawings represent the approximate three-dimensional contour of the design, and are not intended to indicate surface decoration.

(56) **References Cited**

**U.S. PATENT DOCUMENTS**

- D224,403 S 7/1972 Jenner
- D265,231 S 6/1982 Paul
- D266,104 S 9/1982 Johnson
- D271,513 S \* 11/1983 Paul ..... D23/238
- D271,704 S 12/1983 Paul
- D292,430 S 10/1987 Enthoven
- D297,970 S \* 10/1988 Paul ..... D23/242
- D310,865 S \* 9/1990 Strignano ..... D23/241

**1 Claim, 2 Drawing Sheets**



# US D622,816 S

Page 2

## U.S. PATENT DOCUMENTS

D311,440 S \* 10/1990 Strignano ..... D23/241  
D314,230 S \* 1/1991 Strignano ..... D23/241  
D315,398 S \* 3/1991 Strignano ..... D23/241  
D441,429 S 5/2001 Mullenmeister  
D509,565 S 9/2005 Starck  
D510,611 S 10/2005 Jorgensen et al.  
D511,201 S 11/2005 Kulig et al.  
D513,059 S 12/2005 Pauls  
D517,169 S 3/2006 Ogata et al.  
D518,877 S 4/2006 Kulig  
D528,637 S 9/2006 Massaud  
D529,133 S 9/2006 Massaud  
D529,134 S 9/2006 Massaud  
D529,583 S \* 10/2006 Zetsche ..... D23/238  
D529,994 S 10/2006 Kulig  
D534,619 S 1/2007 Garner  
D534,989 S 1/2007 Massaud  
D536,423 S 2/2007 Zetsche  
D536,767 S 2/2007 Massaud  
D540,912 S 4/2007 Qing  
D541,906 S 5/2007 Qing

D548,308 S 8/2007 Hoernig  
D556,863 S 12/2007 Demmer et al.  
D579,520 S 10/2008 Chenesseau  
D579,521 S 10/2008 Kulig  
D580,024 S 11/2008 Gilbert  
D580,524 S 11/2008 Starck  
D582,008 S 12/2008 Citterio  
D589,119 S 3/2009 Oh  
D590,050 S 4/2009 Miyamoto  
D596,711 S 7/2009 Sieger  
D601,227 S \* 9/2009 Sieger ..... D23/242  
D602,121 S 10/2009 Yabe et al.  
D602,123 S \* 10/2009 Sieger ..... D23/242

## FOREIGN PATENT DOCUMENTS

AU 12595/2008 5/2008  
AU 15340/2008 11/2008  
AU 15343/2008 11/2008  
AU 15344/2008 11/2008  
AU 15345/2008 11/2008

\* cited by examiner

Fig. 1

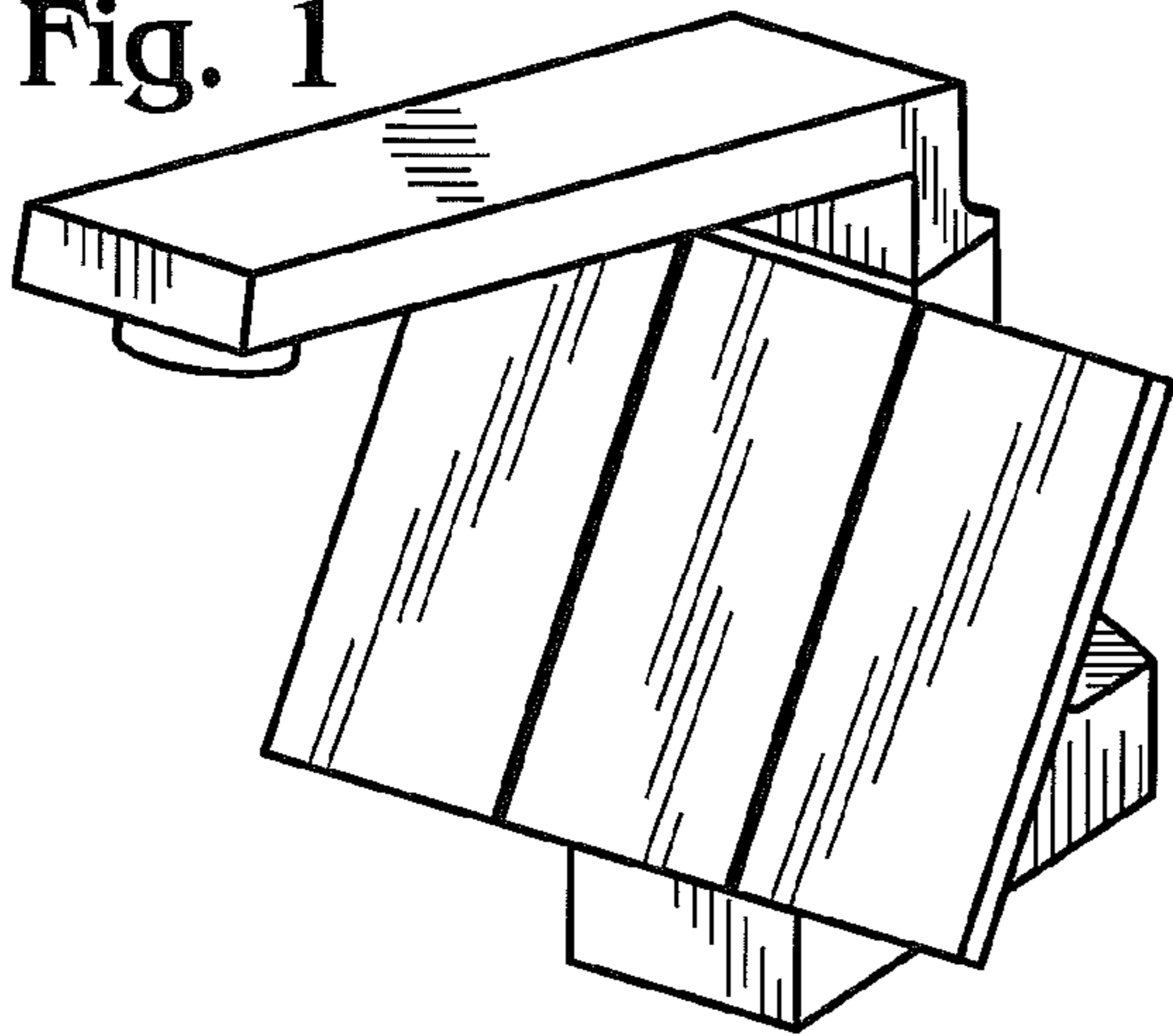


Fig. 2

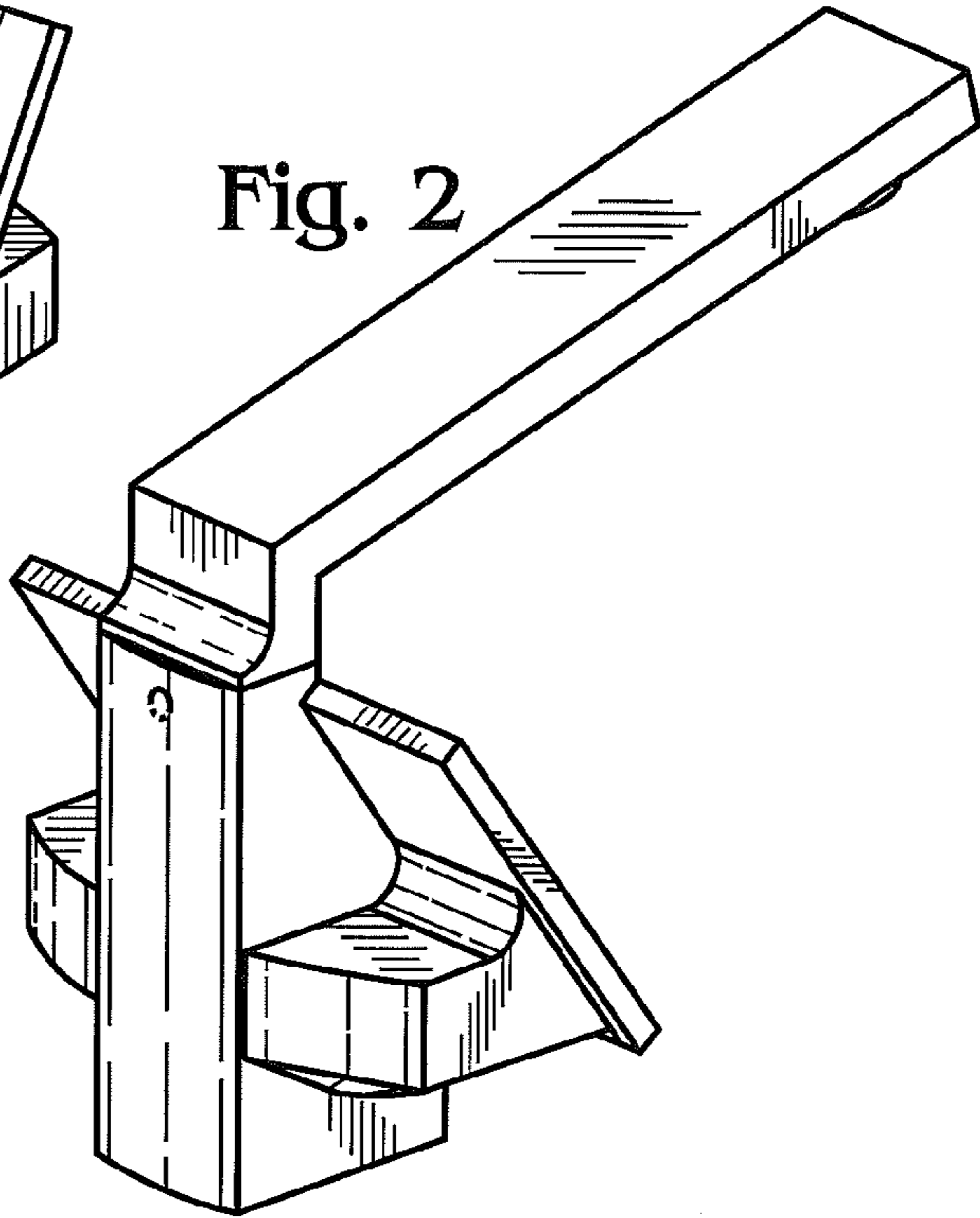


Fig. 3

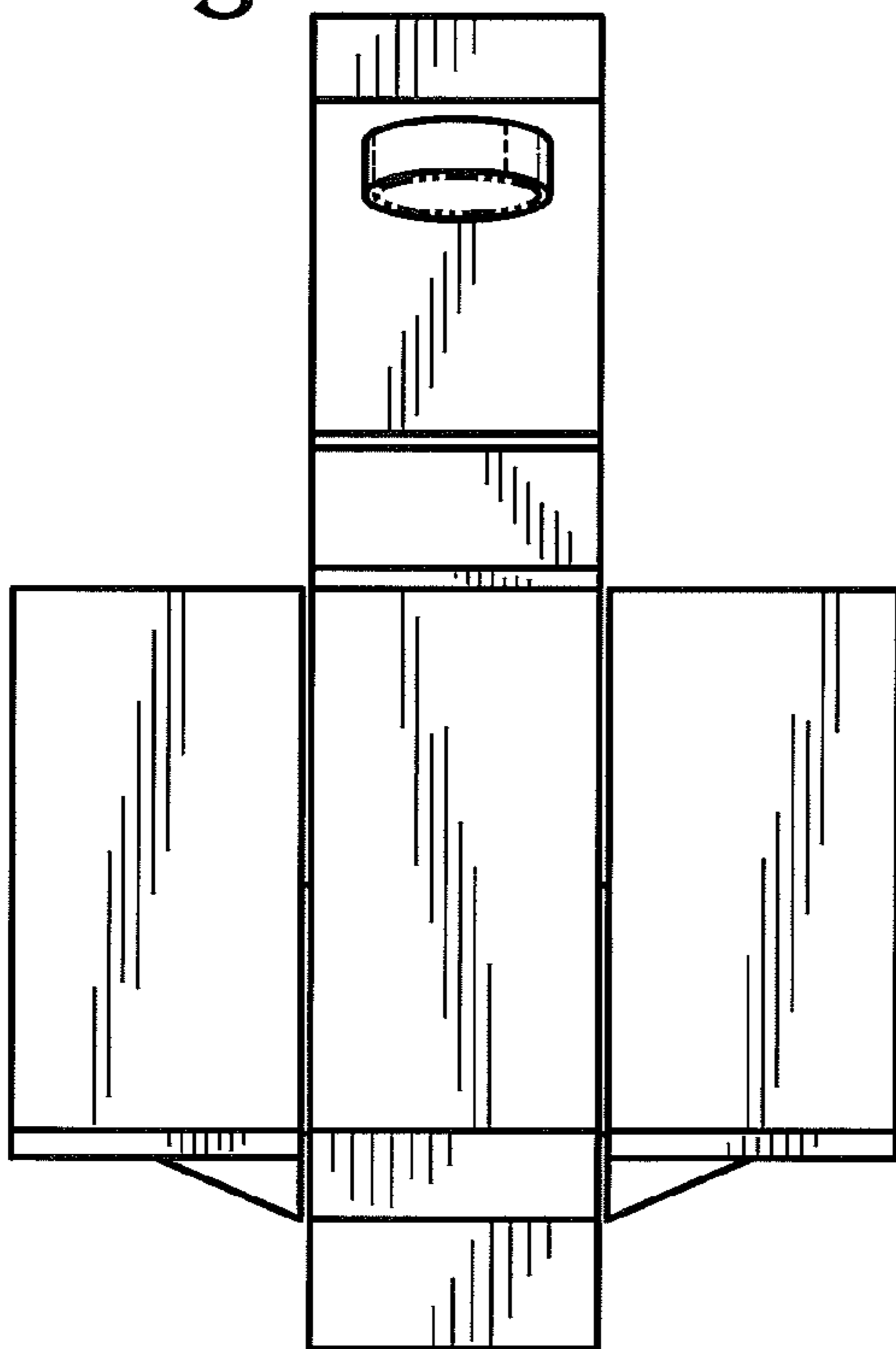


Fig. 4

