



US00D622812S

(12) **United States Design Patent**  
**Yongyan**

(10) **Patent No.:** **US D622,812 S**

(45) **Date of Patent:** **\*\* \*Aug. 31, 2010**

(54) **DUAL SHOWER HEAD ASSEMBLY**

D614,732 S \* 4/2010 Deng et al. .... D23/228

(75) Inventor: **Zhou Yongyan**, Ningde (CN)

\* cited by examiner

(73) Assignee: **Xiamen Lota International Co., Ltd.**,  
Xiamen (CN)

*Primary Examiner*—Robin V Webster

(74) *Attorney, Agent, or Firm*—McDermott Will & Emery  
LLP

(\* ) Notice: This patent is subject to a terminal disclaimer.

(57) **CLAIM**

(\*\*) Term: **14 Years**

I claim the ornamental design for a dual shower head assembly, as shown and described.

(21) Appl. No.: **29/351,985**

**DESCRIPTION**

(22) Filed: **Dec. 15, 2009**

(51) **LOC (9) Cl.** ..... **23-01**

(52) **U.S. Cl.** ..... **D23/228**

(58) **Field of Classification Search** ..... D23/303,  
D23/304, 228–230, 213; 4/570, 568, 596,  
4/601, 605; 239/282–283

FIG. 1 is a perspective view of a dual shower head assembly;

FIG. 2 is a frontal view of the dual shower head assembly of FIG. 1;

FIG. 3 is a rear view of the dual shower head assembly of FIG. 1;

FIG. 4 is a left side view of the dual shower head assembly of FIG. 1;

FIG. 5 is a right view of the dual shower head assembly of FIG. 1;

FIG. 6 is a top side view of the dual shower head assembly of FIG. 1; and,

FIG. 7 is a bottom side view of the dual shower head assembly of FIG. 1.

Features shown in broken lines in the drawings are not part of the claim.

See application file for complete search history.

(56) **References Cited**

**U.S. PATENT DOCUMENTS**

D466,992 S *	12/2002	Tse	.....	D23/304
7,043,776 B1 *	5/2006	Wu	.....	4/601
7,143,961 B1 *	12/2006	Wu et al.	.....	239/446
7,293,302 B2 *	11/2007	Mesa	.....	4/601
D559,949 S *	1/2008	Bickler et al.	.....	D23/228
D575,846 S *	8/2008	Lobermeier et al.	.....	D23/228

**1 Claim, 7 Drawing Sheets**

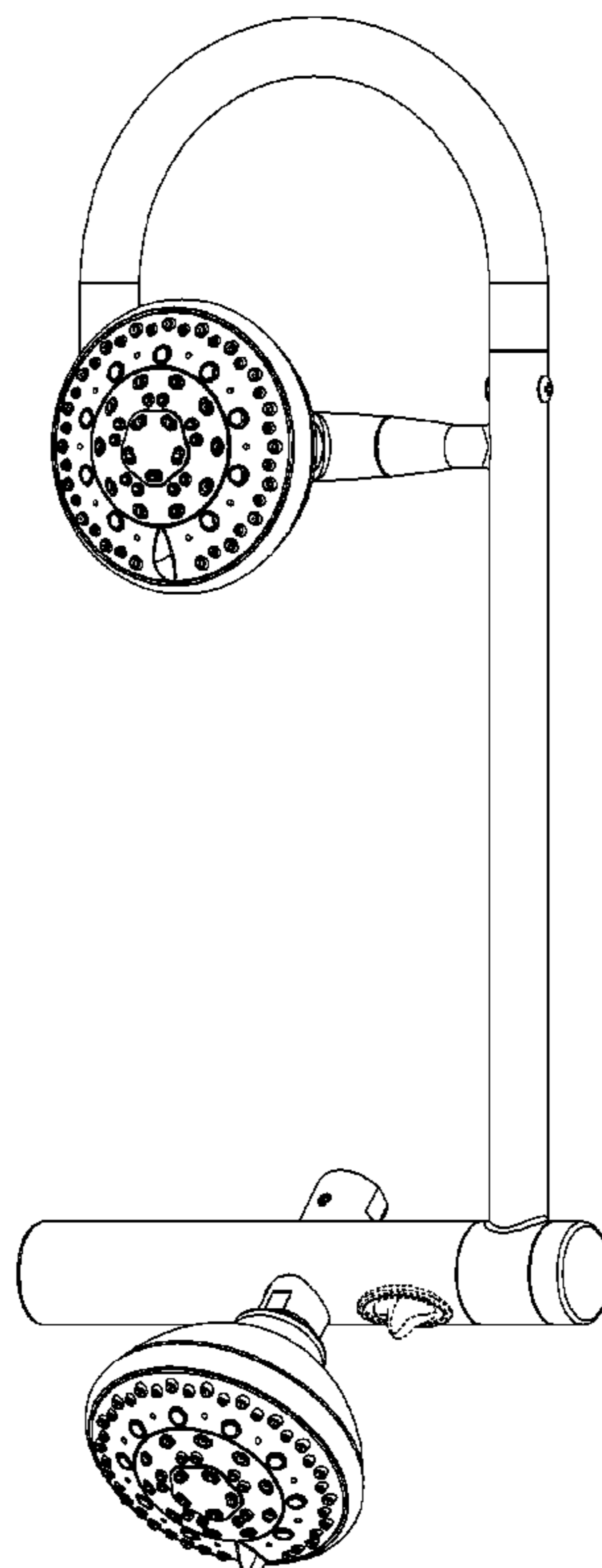


FIG. 1

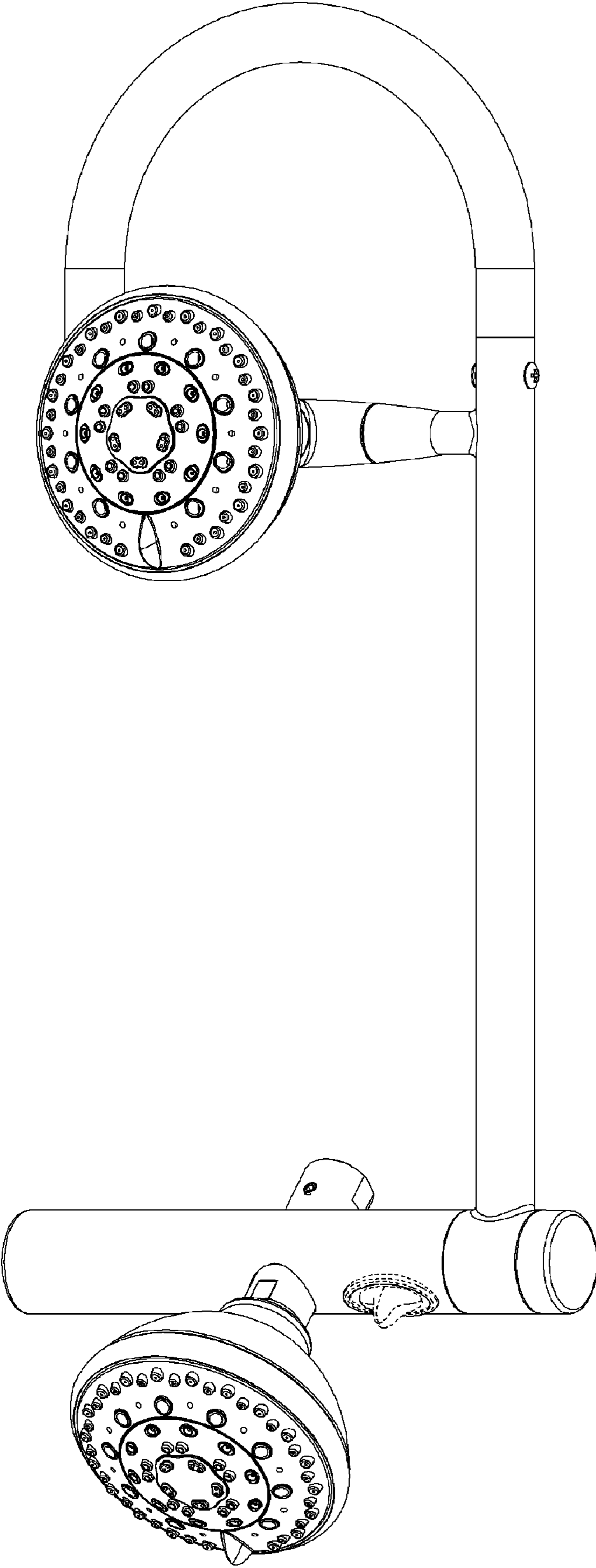


FIG. 2

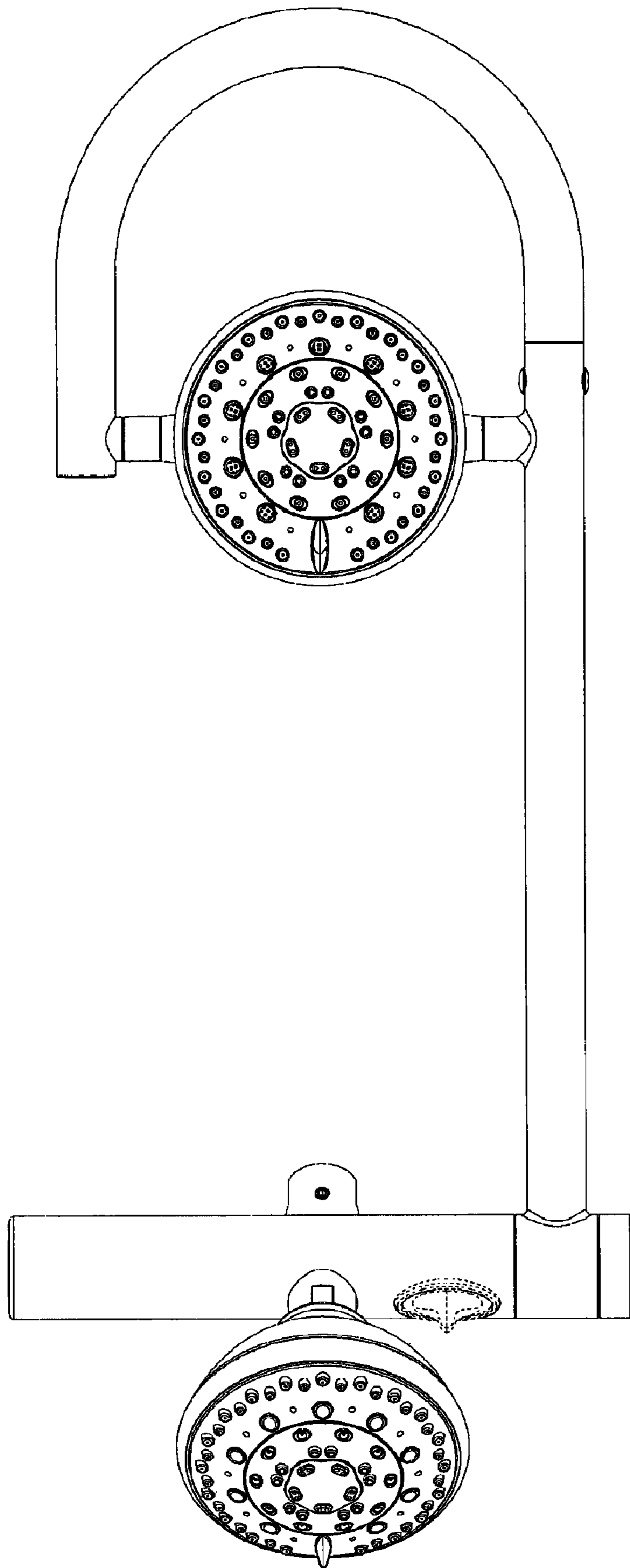


FIG. 3

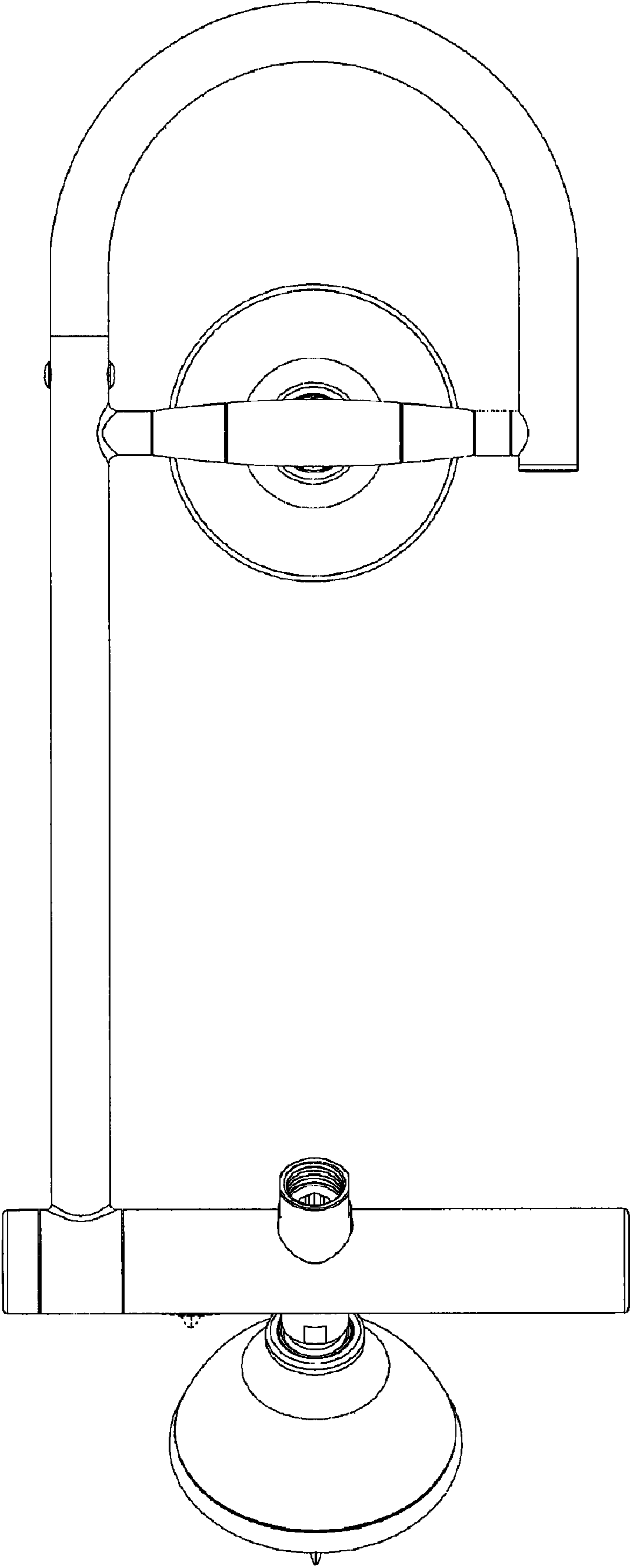


FIG. 4

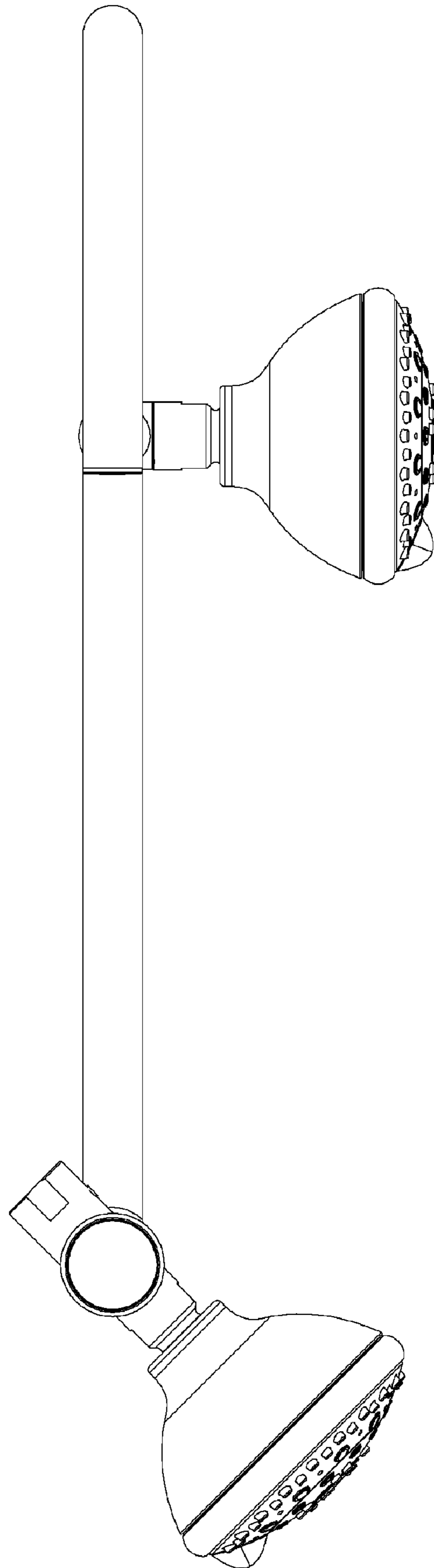


FIG. 5

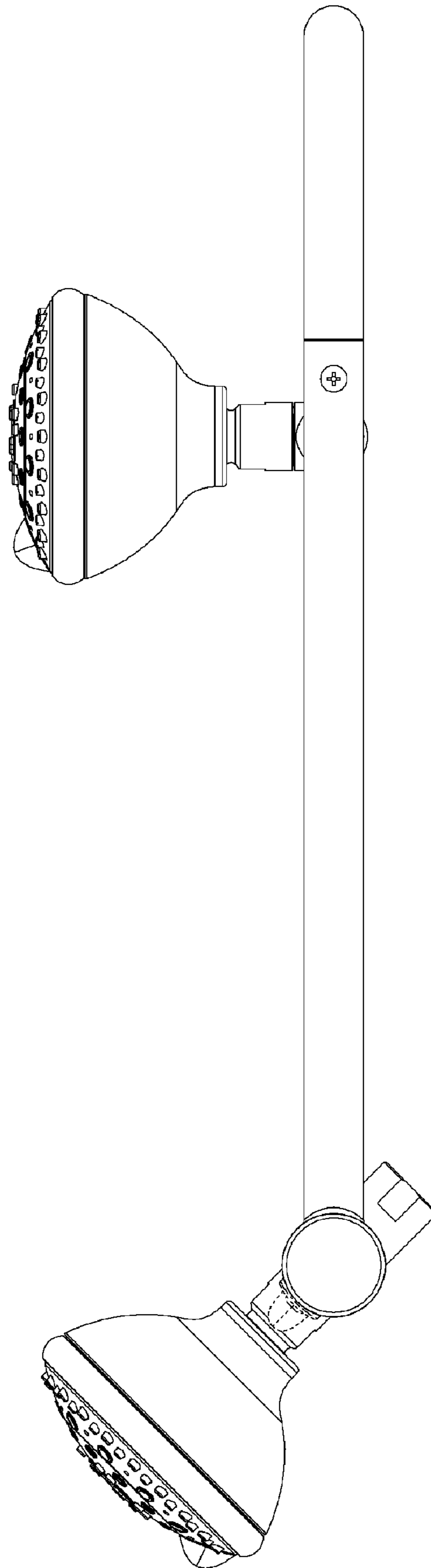


FIG. 6

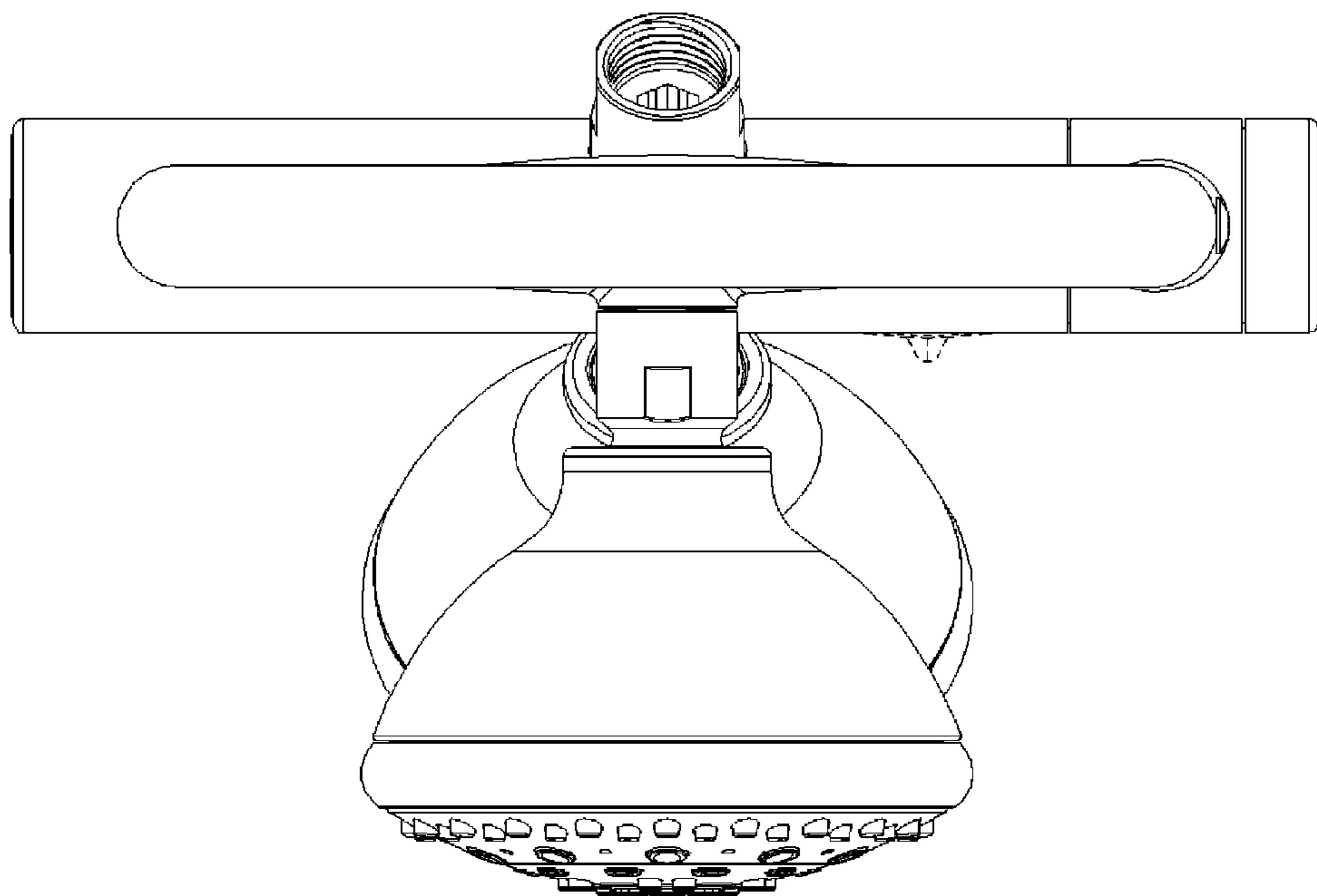


FIG. 7

