



US00D622811S

(12) **United States Design Patent**
Cooper et al.

(10) **Patent No.:** **US D622,811 S**

(45) **Date of Patent:** **** Aug. 31, 2010**

(54) **APPARATUS FOR USE IN SELF-TANNING**

(75) Inventors: **Linda G. Cooper**, 3225 Turtle Creek,
Suite 1111, Dallas, TX (US) 75219;
George Carter, Garland, TX (US);
Myles T. Christensen, Pueblo West, CO
(US)

(73) Assignee: **Linda G. Cooper**, Dallas, TX (US)

(**) Term: **14 Years**

(21) Appl. No.: **29/333,220**

(22) Filed: **Mar. 4, 2009**

(51) **LOC (9) Cl.** **23-01**

(52) **U.S. Cl.** **D23/225**

(58) **Field of Classification Search** D6/566,
D6/512; D9/448, 682, 685, 686; 222/78-79,
222/174, 153.11, 323, 402.15, 473
See application file for complete search history.

(56) **References Cited**

U.S. PATENT DOCUMENTS

1,179,611 A	4/1916	Cilley	
2,532,251 A	11/1950	Whitmire et al.	
D187,439 S *	3/1960	Ellis	D23/225
3,045,878 A *	7/1962	Blanford et al.	222/473
3,229,858 A *	1/1966	Lesh	222/174

(Continued)

FOREIGN PATENT DOCUMENTS

CA 2152406 12/1996

OTHER PUBLICATIONS

World Wide Web, <http://www.badger-airbrush.com/tan.htm>, Badger Air Brush—Thayer & Chandler, printed on Jul. 29, 2004, 2 pages.

(Continued)

Primary Examiner—Brian N Vinson

(74) *Attorney, Agent, or Firm*—Haynes and Boone, LLP

(57) **CLAIM**

The ornamental design for the apparatus for use in self-tanning, as shown and described.

DESCRIPTION

FIG. 1 is a front perspective view of the apparatus for use in self-tanning showing our new design;

FIG. 2 is a front elevational view of the apparatus for use in self-tanning;

FIG. 3 is a side elevational view of the apparatus for use in self-tanning;

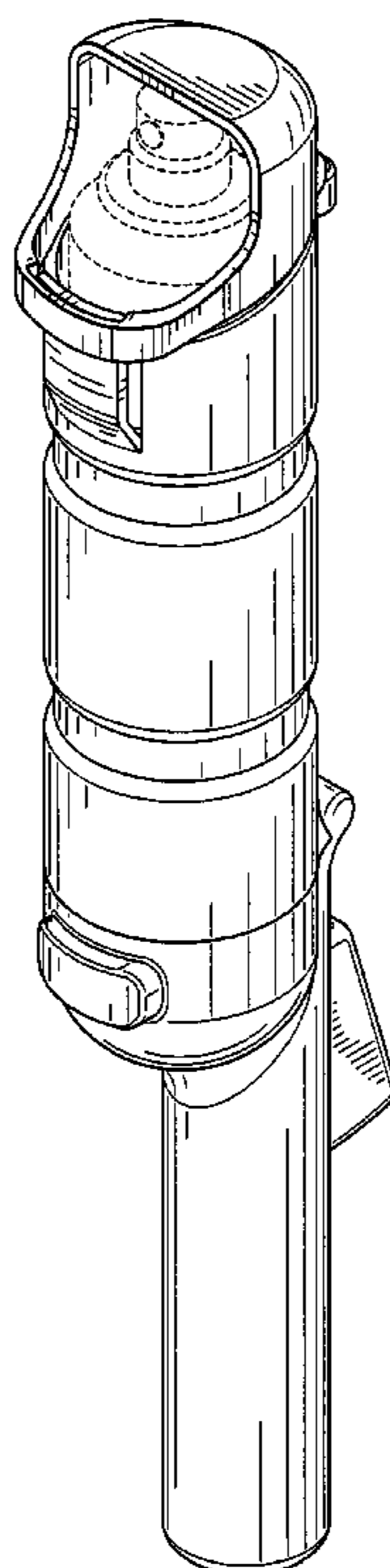
FIG. 4 is a rear elevational view of the apparatus for use in self-tanning;

FIG. 5 is a top plan view of the apparatus for use in self-tanning; and,

FIG. 6 is a bottom plan view of the apparatus for use in self-tanning.

Any broken line illustration of environmental structure in the drawings is not part of the design sought to be patented.

1 Claim, 3 Drawing Sheets



US D622,811 S

Page 2

U.S. PATENT DOCUMENTS

3,602,399 A 8/1971 Litman et al.
3,625,434 A 12/1971 Kitover
3,635,374 A 1/1972 Anketell
3,794,217 A 2/1974 Munchel
3,961,754 A 6/1976 Kuhns et al.
4,023,711 A 5/1977 Sena
4,401,240 A * 8/1983 Brack 222/323
4,579,258 A * 4/1986 Brown et al. 222/323
D287,394 S * 12/1986 Yamamoto D23/225
D297,991 S 10/1988 Boyle, Jr.
4,846,525 A 7/1989 Manning
4,854,502 A 8/1989 Cox
4,886,191 A 12/1989 Yoshitomi
D306,897 S * 3/1990 Ando et al. D23/225
4,961,535 A 10/1990 Skibik
5,000,384 A 3/1991 Arnold
5,027,455 A 7/1991 Commisso et al.
D325,956 S * 5/1992 Ali D23/225
5,156,339 A 10/1992 Gibson et al.
5,518,148 A 5/1996 Smrt
5,823,617 A 10/1998 Schafer
6,378,922 B1 4/2002 Troudt
6,443,164 B1 9/2002 Parker et al.
6,446,884 B1 9/2002 Utter et al.

6,637,676 B2 10/2003 Zieger et al.
6,663,307 B2 12/2003 Kopanic et al.
D493,865 S * 8/2004 Williams D23/225
D533,002 S * 12/2006 Recknagel et al. D6/566
2004/0089315 A1 5/2004 Laughlin
2005/0279767 A1 12/2005 Kenny et al.

OTHER PUBLICATIONS

World Wide Web, <http://chief-tan.com/overspray.htm>, Chief-Tan—airbrush Tanning Supplies, printed on Jul. 29, 2004, 5 pages.
World Wide Web, http://www.jettanning.com/the_cart.asp?compid=1&tid=1714, jet Tan—Airbrush Tanning System, printed on Jul. 29, 2004, 9 pages.
International Search Report and Written Opinion of the international Searching Authority mailed Jan. 11, 2007 for corresponding PCT Application No. PCT/US2005/028806, 7 pages.
World Wide Web, <http://www.alltvstuff.com/on4051a.html>, All TV Stuff . . . and other Great Stuff, too!, Airbrush Sunless Tan by Salon Bronze, printed on Oct. 19, 2005, e pages.
Aqua Tan to unveil revolutionary self tanning system at the Cannes Film Festival; News Release May 14, 2003, PR Newswire Europe Ltd.; <http://prnewswire.co.uk/cgi/news/release?id=102356>; retrieved Dec. 21, 2005; 2 pages.

* cited by examiner

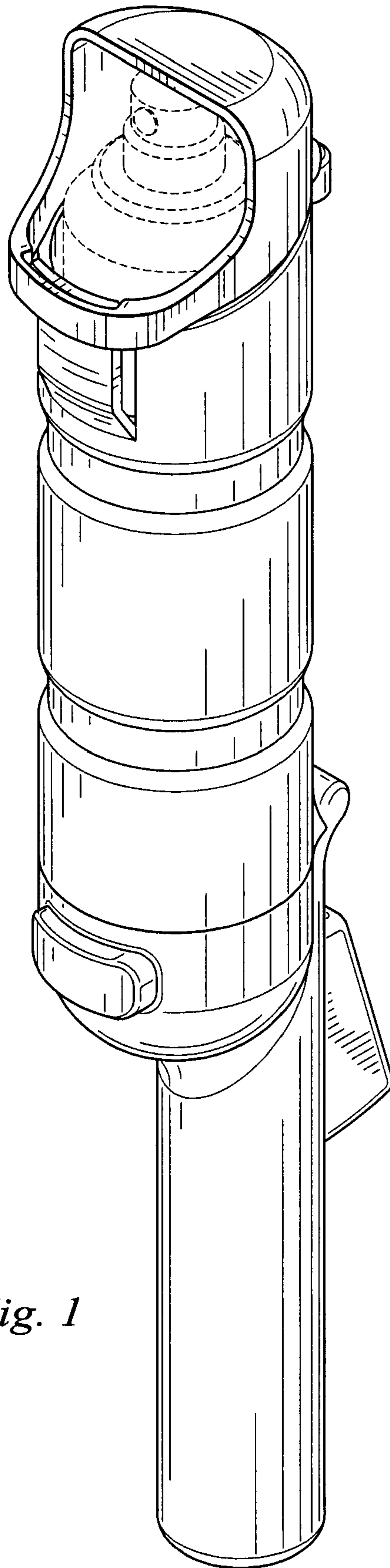


Fig. 1

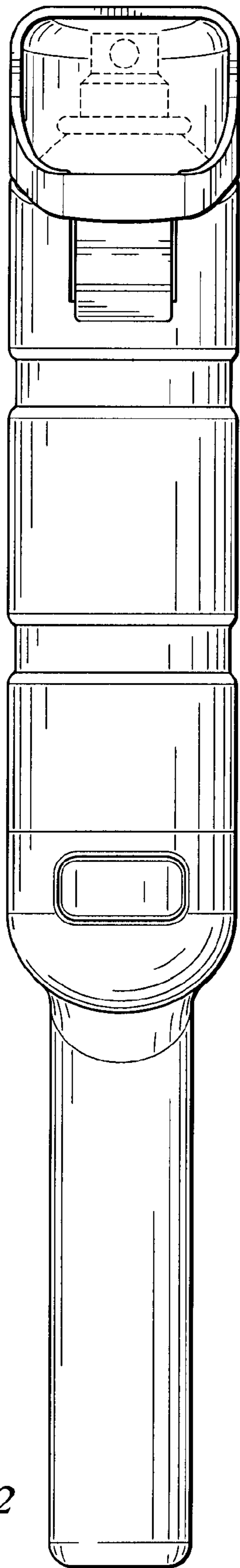


Fig. 2

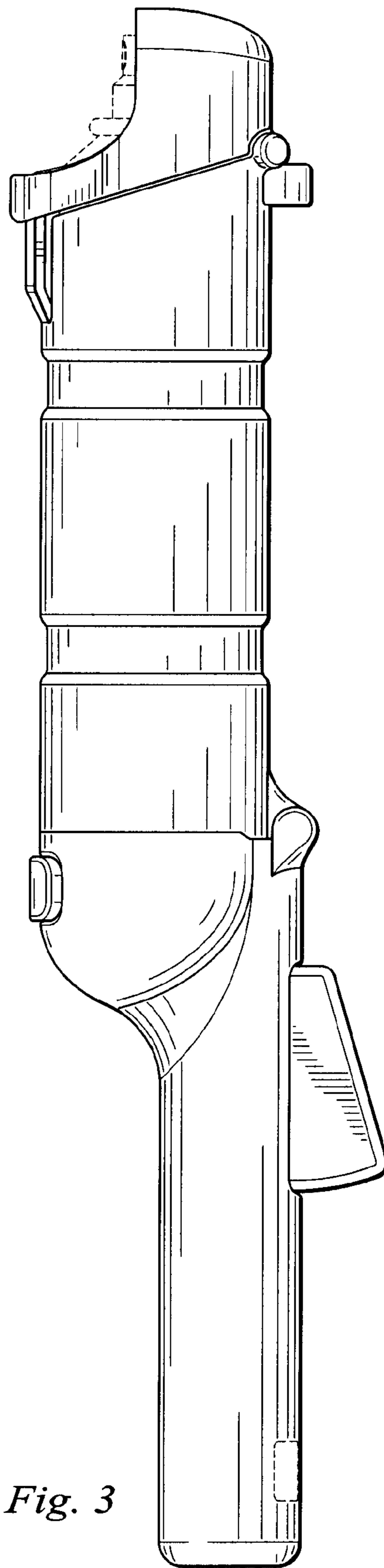


Fig. 3

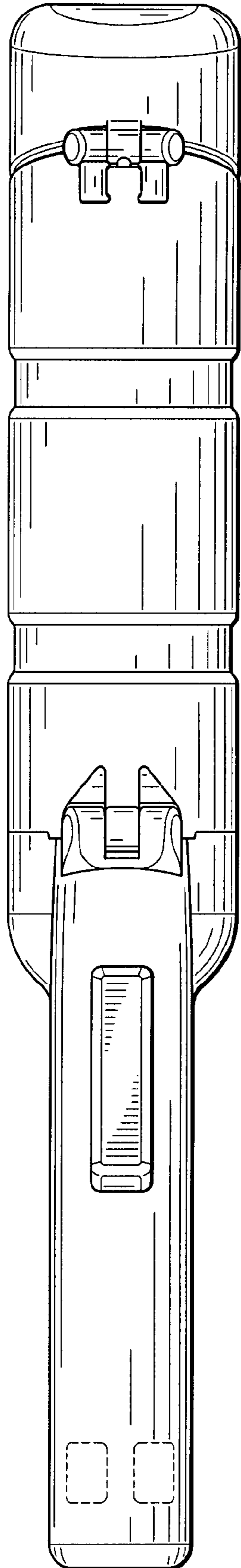


Fig. 4

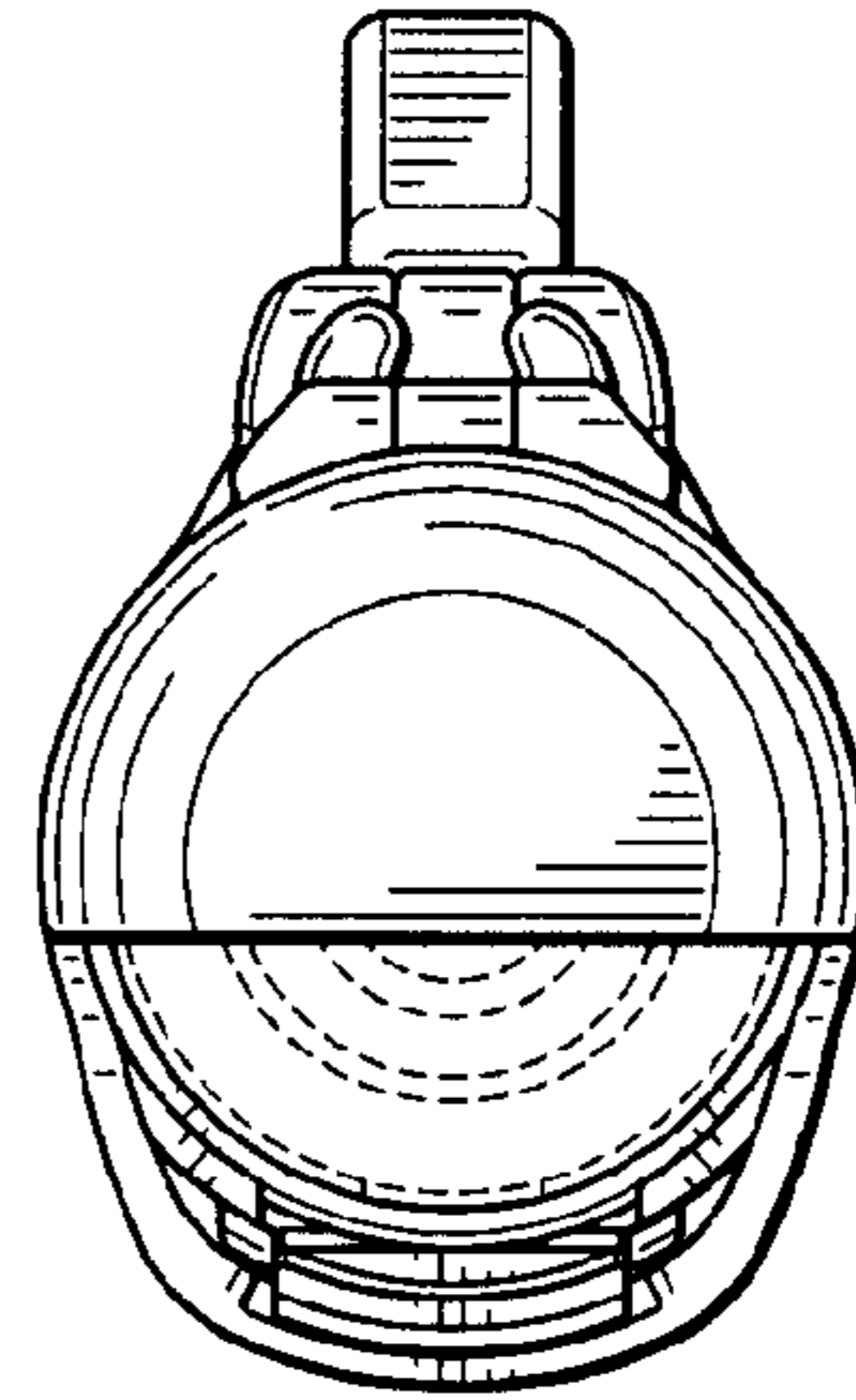


Fig. 5

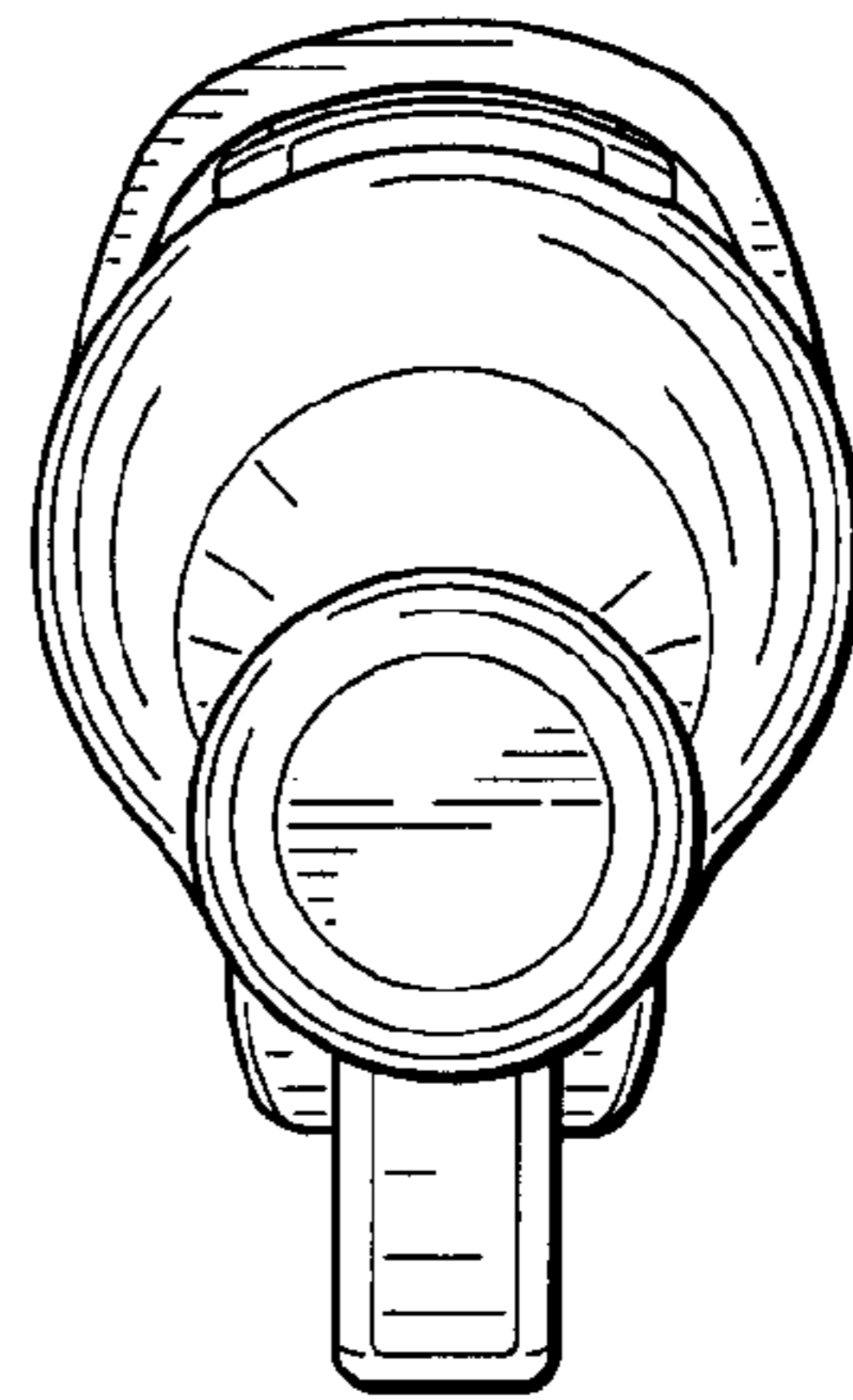


Fig. 6