



US00D622810S

(12) **United States Design Patent**  
**Wright**

(10) **Patent No.:** **US D622,810 S**

(45) **Date of Patent:** **\*\* Aug. 31, 2010**

(54) **SELF REGULATING FLUID BEARING HIGH PRESSURE ROTARY NOZZLE**

(75) Inventor: **Douglas E. Wright**, Durango, CO (US)

(73) Assignee: **Stoneage, Inc.**, Durango, CO (US)

(\*\*) Term: **14 Years**

(21) Appl. No.: **29/356,236**

(22) Filed: **Feb. 22, 2010**

**Related U.S. Application Data**

(60) Division of application No. 12/577,571, filed on Oct. 12, 2009, which is a continuation-in-part of application No. 11/208,225, filed on Aug. 19, 2005, now Pat. No. 7,635,096.

(51) **LOC (9) Cl.** ..... **23-01**

(52) **U.S. Cl.** ..... **D23/213**

(58) **Field of Classification Search** ..... D23/213,  
D23/214; 239/251, 259, 225.1  
See application file for complete search history.

(56) **References Cited**

**U.S. PATENT DOCUMENTS**

D285,824 S *	9/1986	Anderson	.....	D23/214
5,096,122 A *	3/1992	Abramoska	.....	239/252
D327,943 S *	7/1992	Tsai	.....	D23/213
6,059,202 A *	5/2000	Zink et al.	.....	239/259
7,546,959 B2 *	6/2009	Wagner et al.	.....	239/252

\* cited by examiner

*Primary Examiner*—Robin V Webster

(74) *Attorney, Agent, or Firm*—Greenberg Traurig, LLP

(57) **CLAIM**

The ornamental design for a self regulating fluid bearing high pressure rotary nozzle, as shown and described.

**DESCRIPTION**

FIG. 1 is a perspective view of a self regulating fluid bearing high pressure rotary nozzle showing my new design.

FIG. 2 is a rear perspective view of my new nozzle design. The broken lines show portions illustrating environmental structure of the nozzle that form no part of the claimed design.

FIG. 3 is one side elevational view of the nozzle shown in FIGS. 1 and 2, the opposite side elevational view being substantially identical thereto.

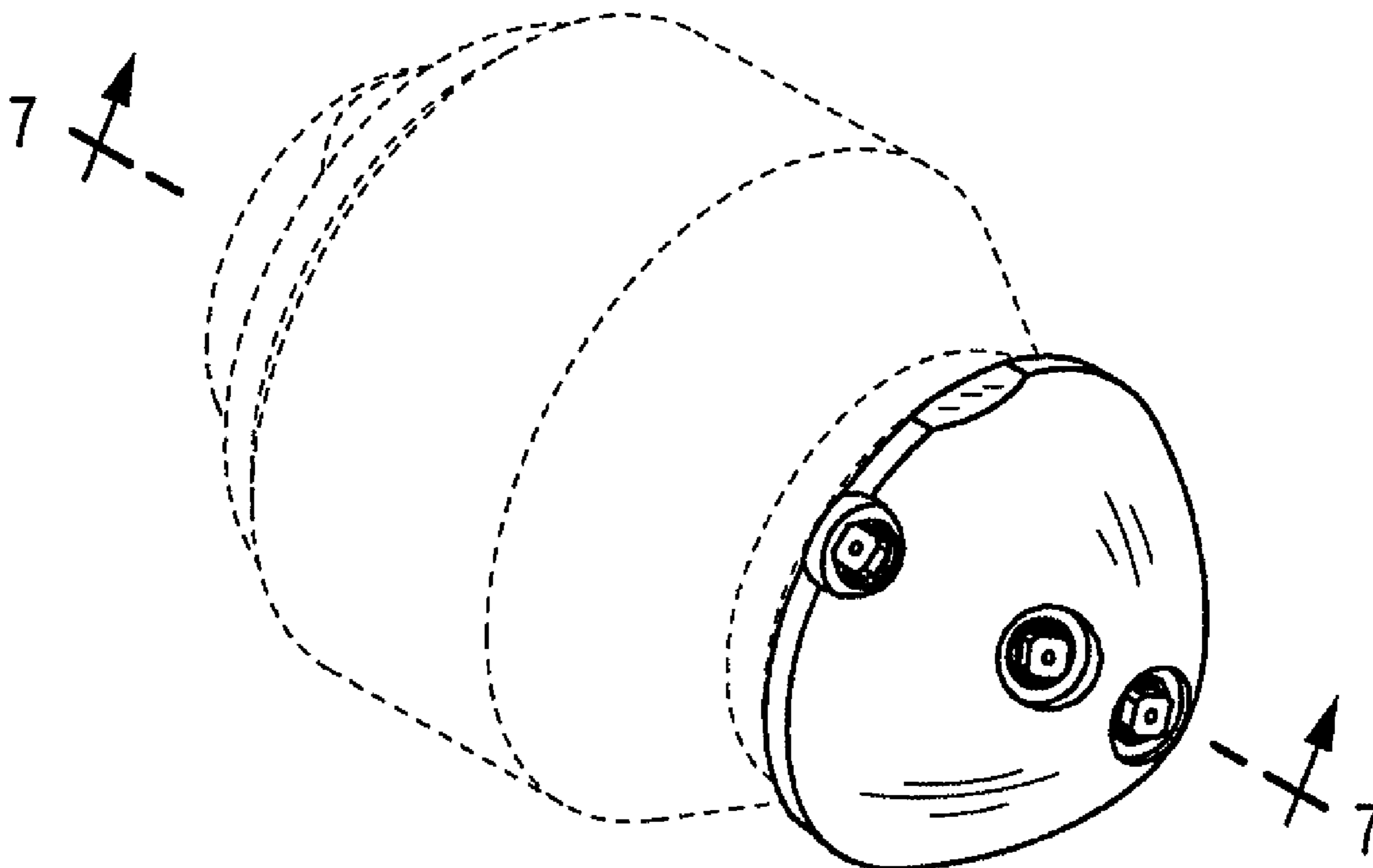
FIG. 4 is a side elevational view of the nozzle shown in FIGS. 1 and 2 rotated clockwise about its longitudinal axis 90 degrees from the view shown in FIG. 3.

FIG. 5 is a top plan view of the front end of the nozzle shown in FIGS. 1 and 2.

FIG. 6 is a bottom plan view of the rear end of the nozzle shown in FIGS. 1 and 2; and,

FIG. 7 is a cross-sectional view taken along line 7—7 of FIG. 1. The broken lines show portions illustrating environmental structure of the nozzle that form no part of the claimed design.

**1 Claim, 4 Drawing Sheets**



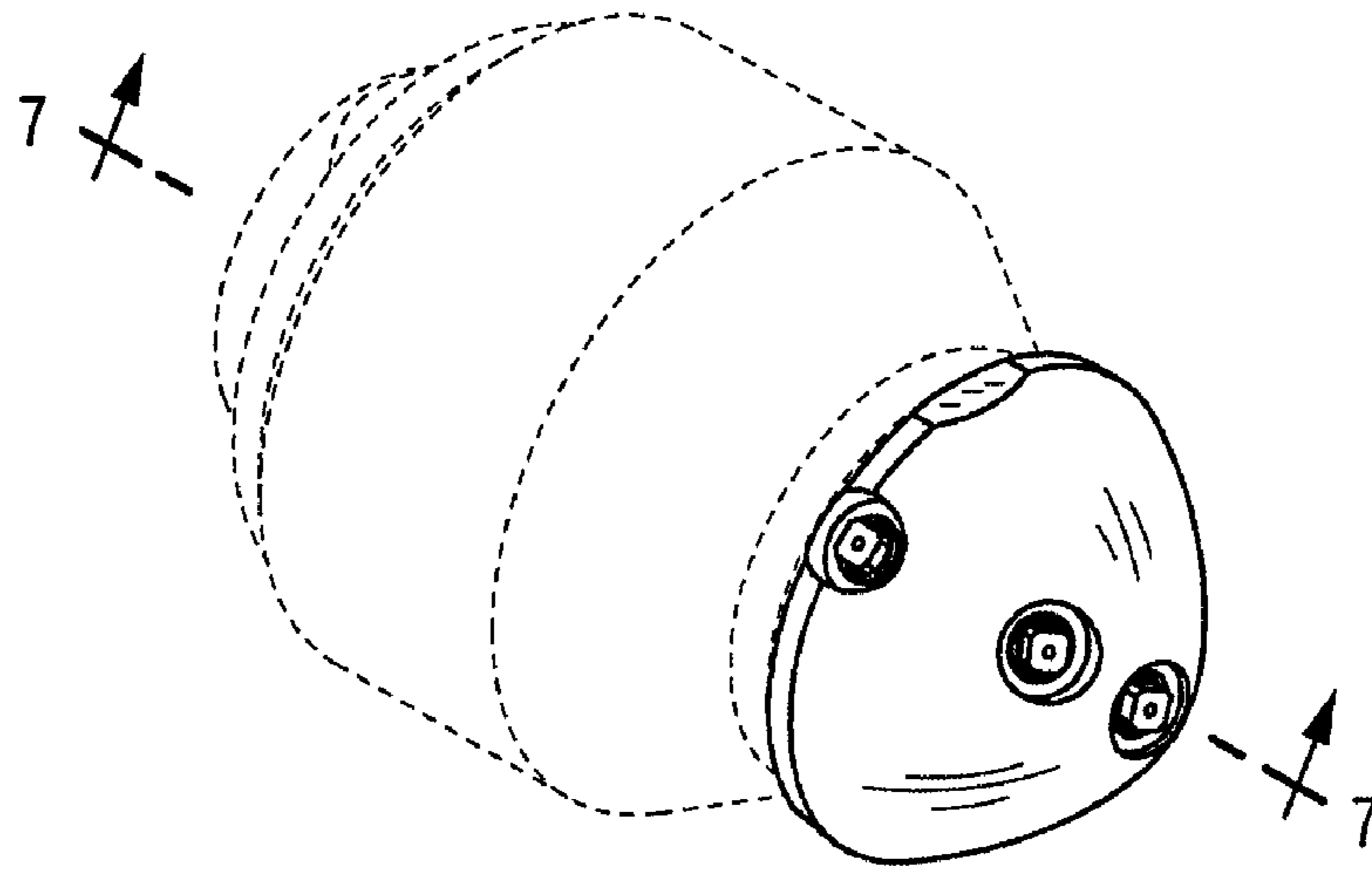


FIG. 1

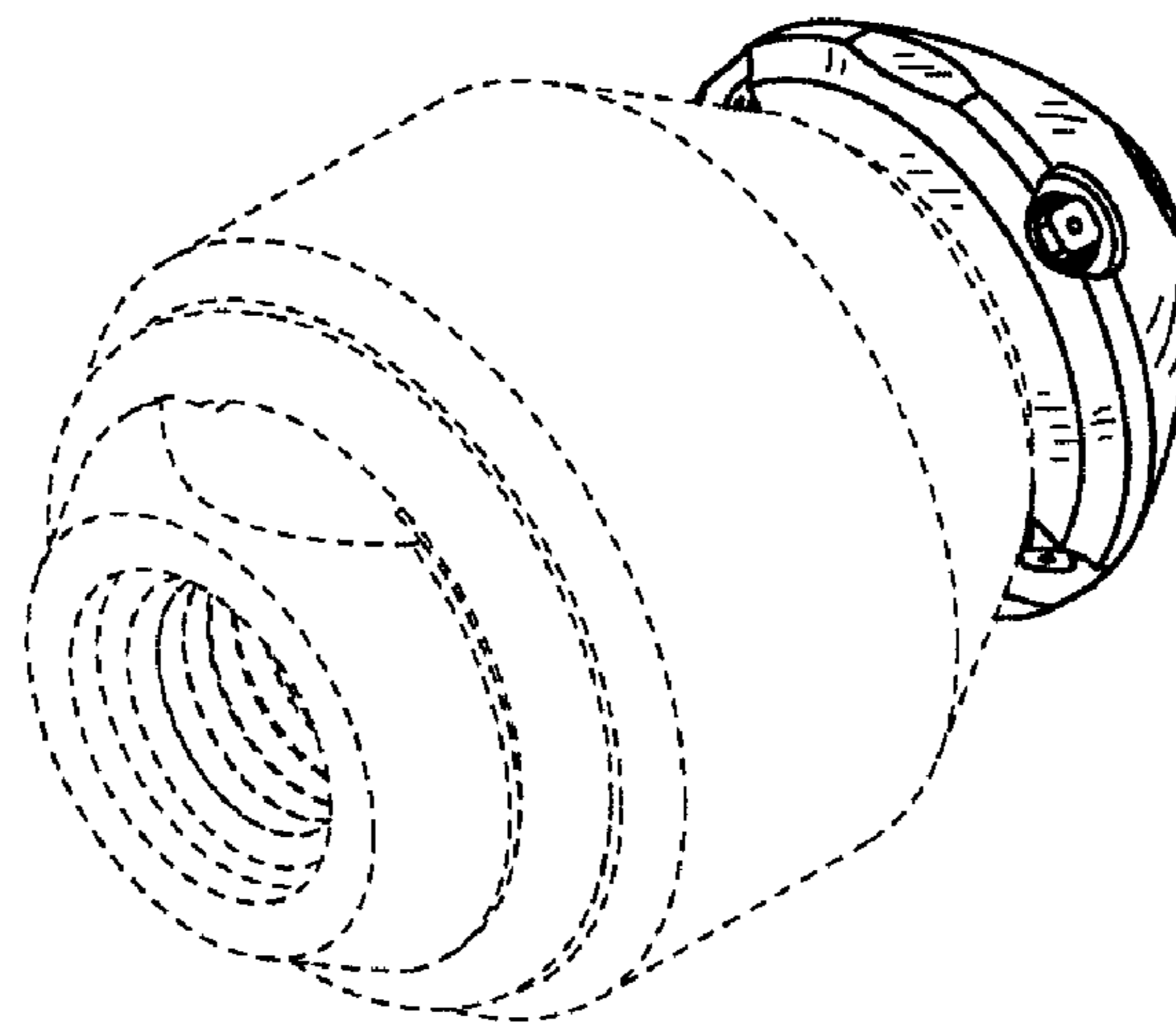


FIG. 2

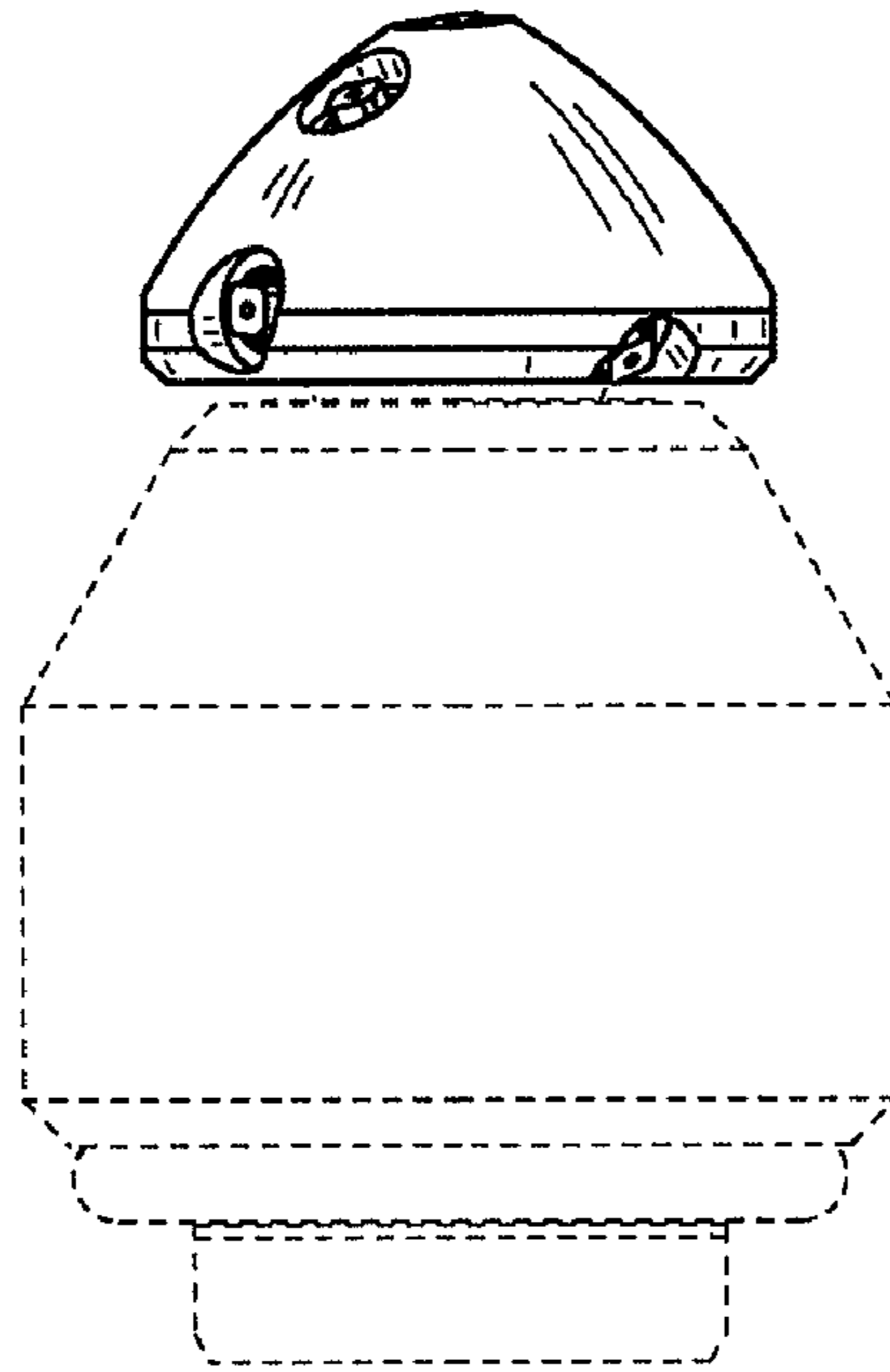


FIG.3

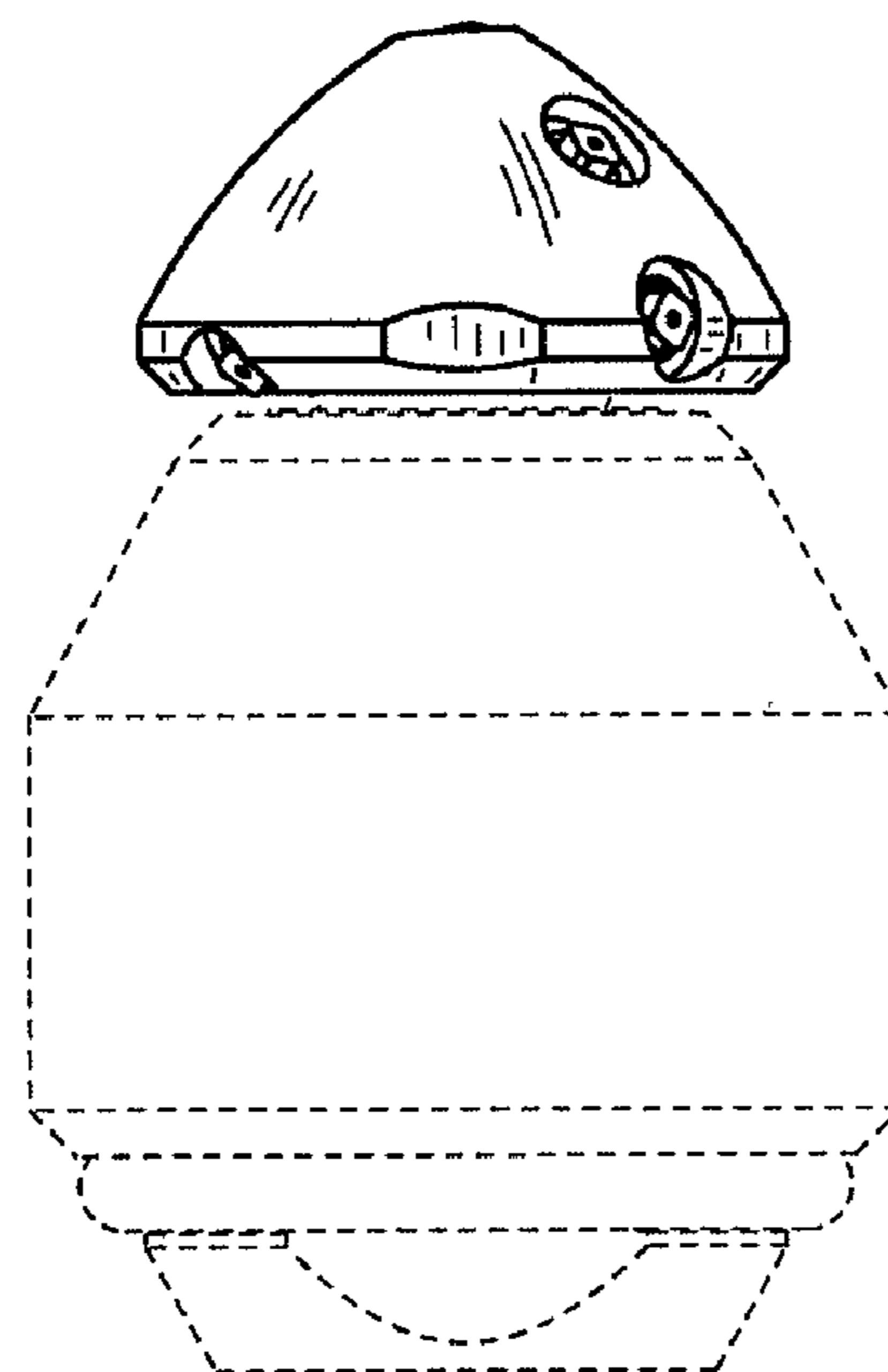


FIG.4

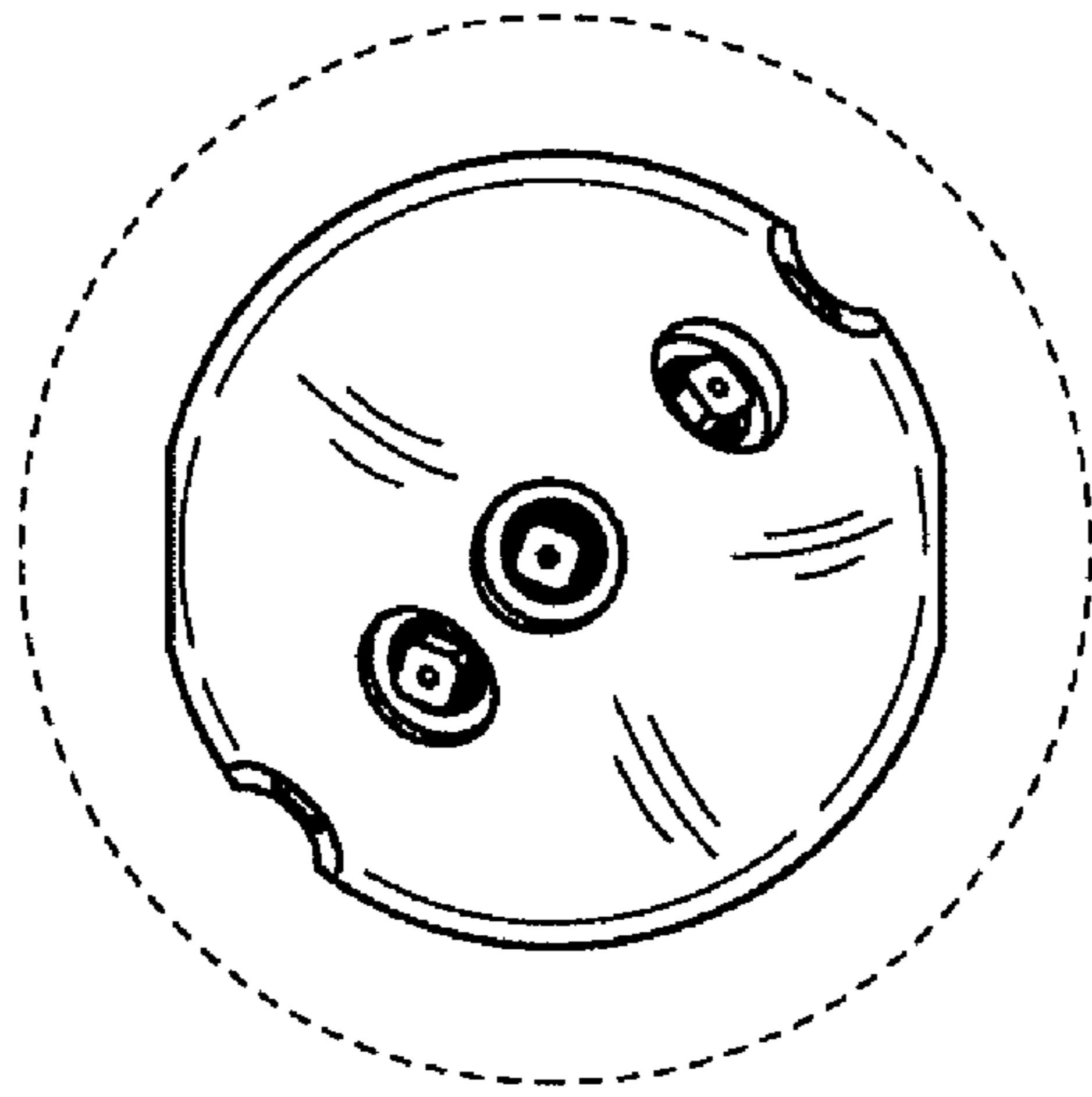


FIG. 5

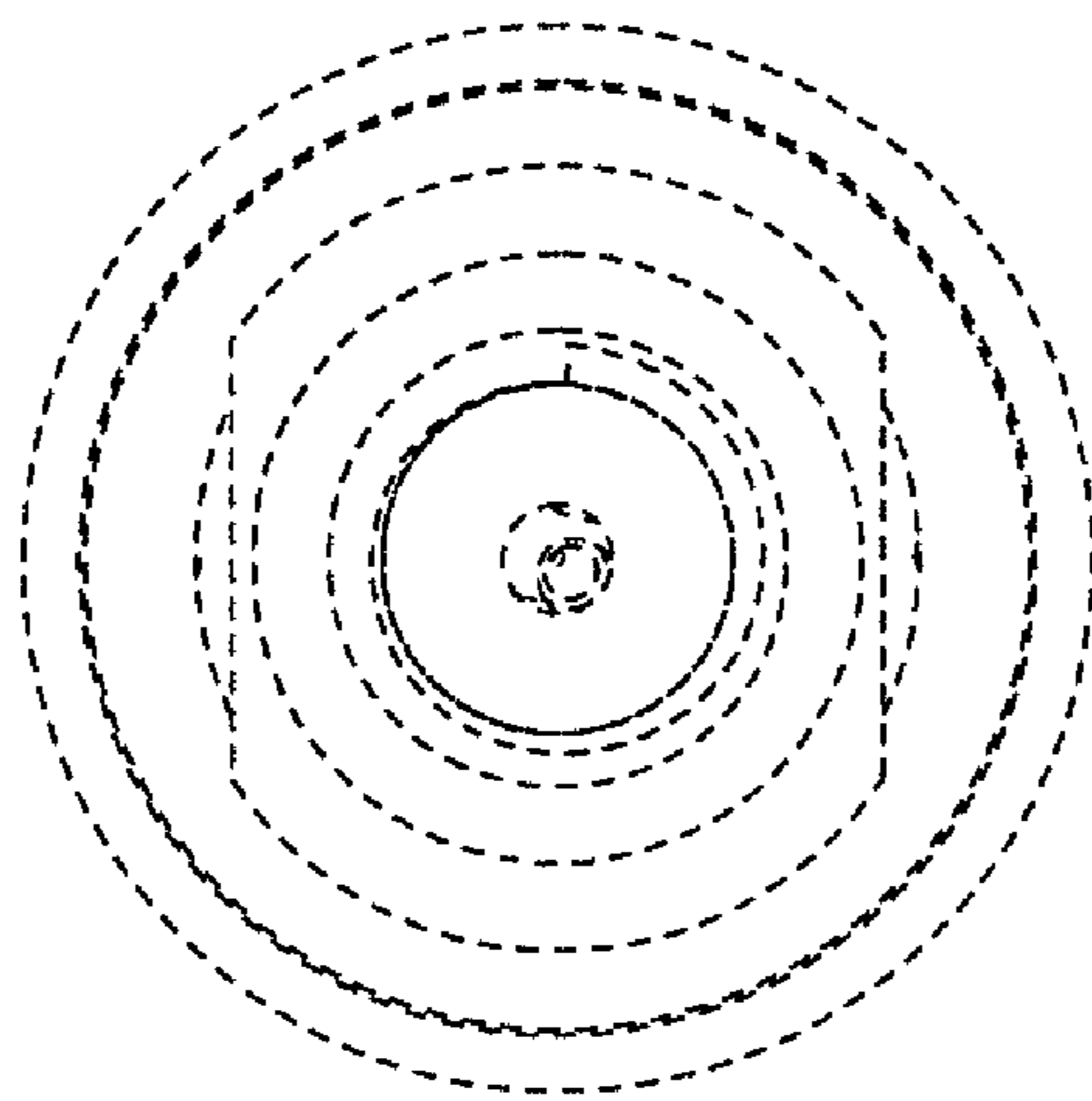


FIG. 6

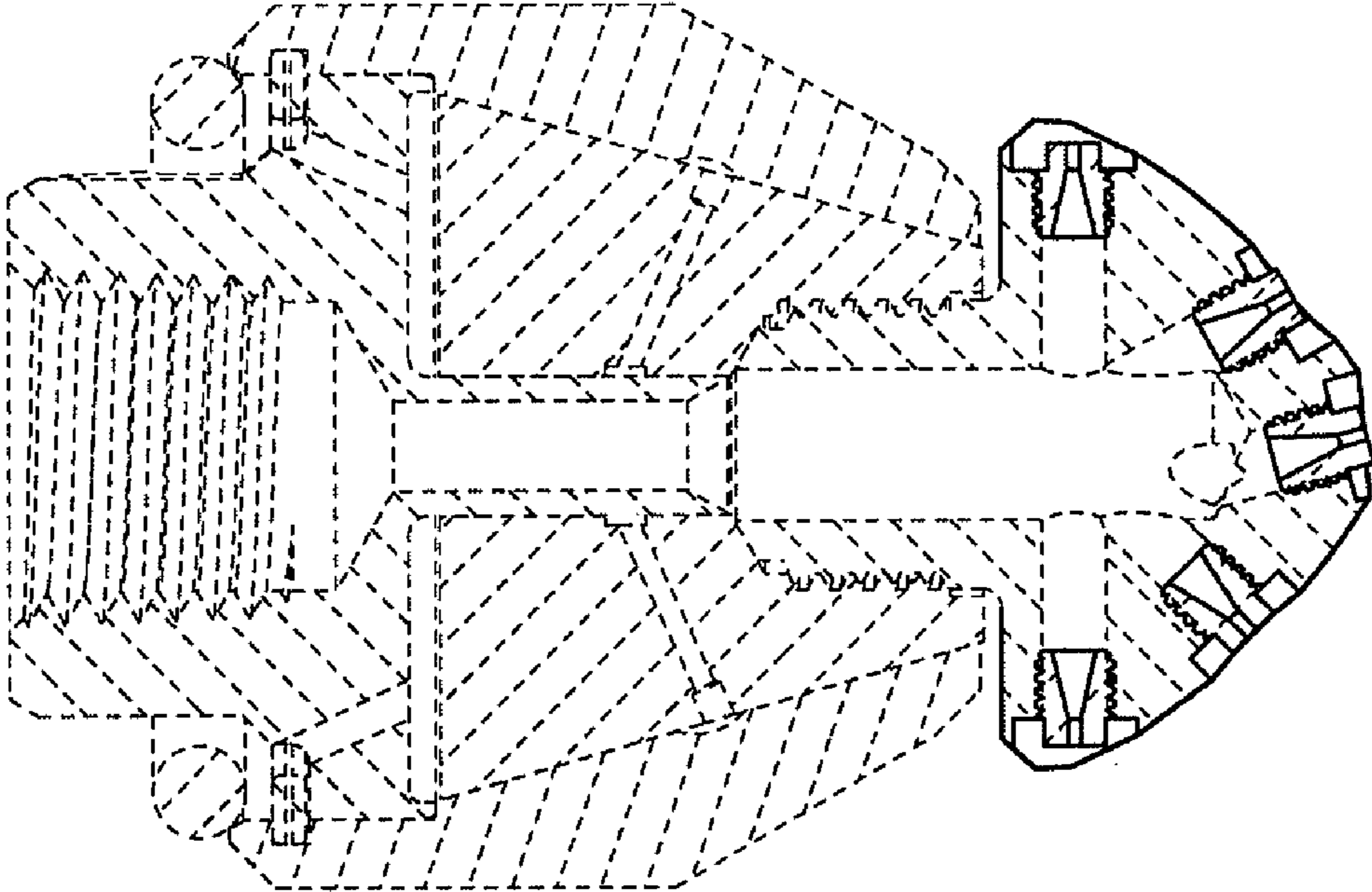


FIG. 7