



US00D622806S

(12) **United States Design Patent**
Hamilton et al.

(10) **Patent No.:** **US D622,806 S**

(45) **Date of Patent:** **** Aug. 31, 2010**

(54) **TELESCOPING ANODE POLE**

(75) Inventors: **Bryan Hamilton**, Vancouver, WA (US);
John McAllister, Vancouver, WA (US)

(73) Assignee: **Smith-Root, Inc.**, Vancouver, WA (US)

(**) Term: **14 Years**

(21) Appl. No.: **29/355,730**

(22) Filed: **Feb. 12, 2010**

(51) **LOC (9) Cl.** **22-05**

(52) **U.S. Cl.** **D22/134; D22/139**

(58) **Field of Classification Search** D22/134,
D22/137-139, 149, 199; 43/9.6, 17.1, 6;
463/47.3; 361/232, 235; 124/22; 119/200,
119/220

See application file for complete search history.

(56) **References Cited**

U.S. PATENT DOCUMENTS

3,484,665 A * 12/1969 Ormsby et al. 361/232
5,214,873 A * 6/1993 Sharber 43/17.1

D422,672 S * 4/2000 Rich D22/139
7,174,668 B2 * 2/2007 Locklear 43/17.1

* cited by examiner

Primary Examiner—Catherine R Oliver

(74) *Attorney, Agent, or Firm*—J. Curtis Edmondson

(57) **CLAIM**

The ornamental design for a telescoping anode pole, as shown and described.

DESCRIPTION

FIG. 1 is a side elevation view of the telescoping anode pole, with the break line indicating indeterminate length;

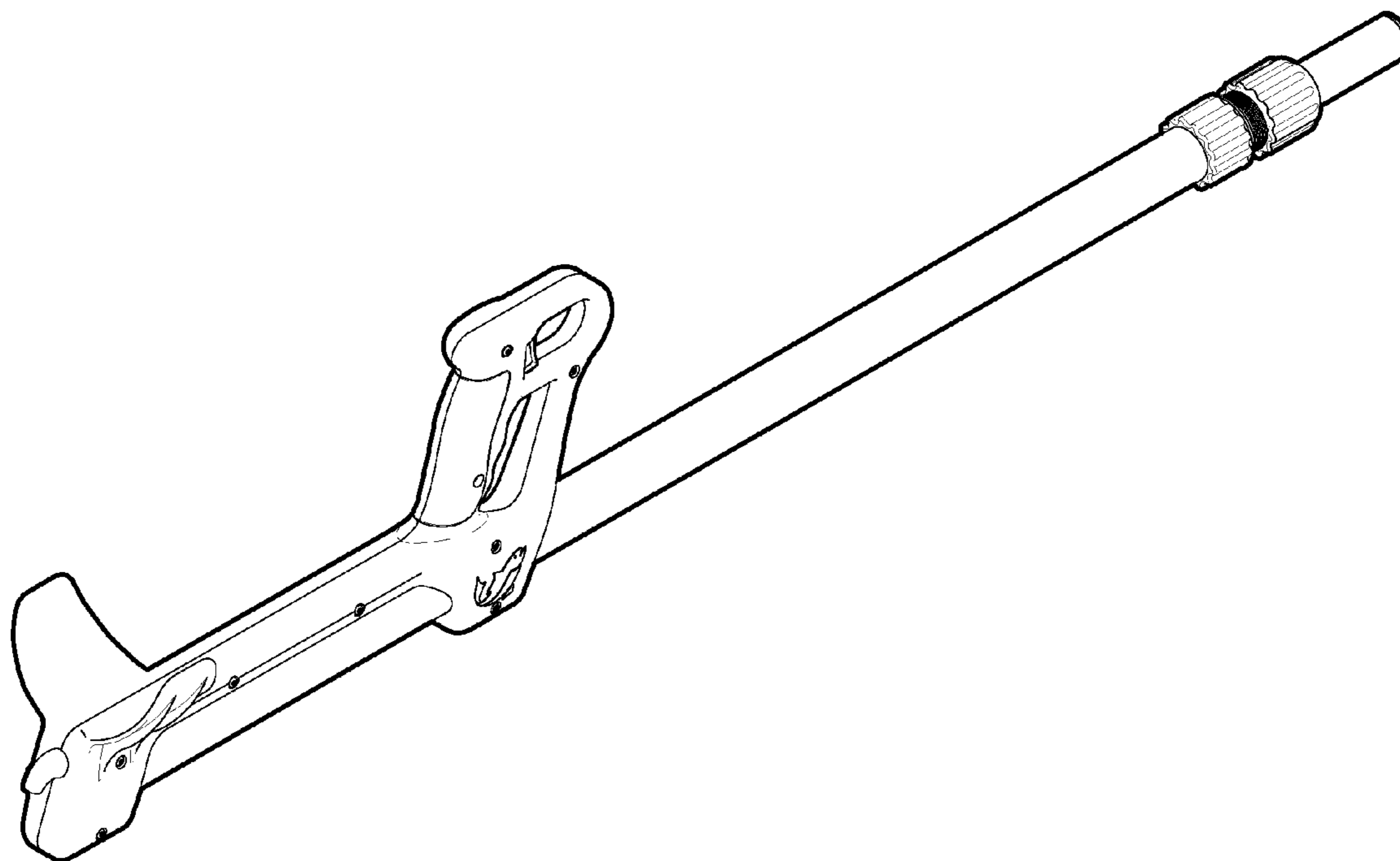
FIG. 2 is an end view of the telescoping anode pole.

FIG. 3 is a side perspective view of the telescoping anode pole;

FIG. 4 is an opposite side perspective view of the telescoping anode pole; and,

FIG. 5 is an enlarged view of the handle portion of the telescoping anode pole.

1 Claim, 5 Drawing Sheets



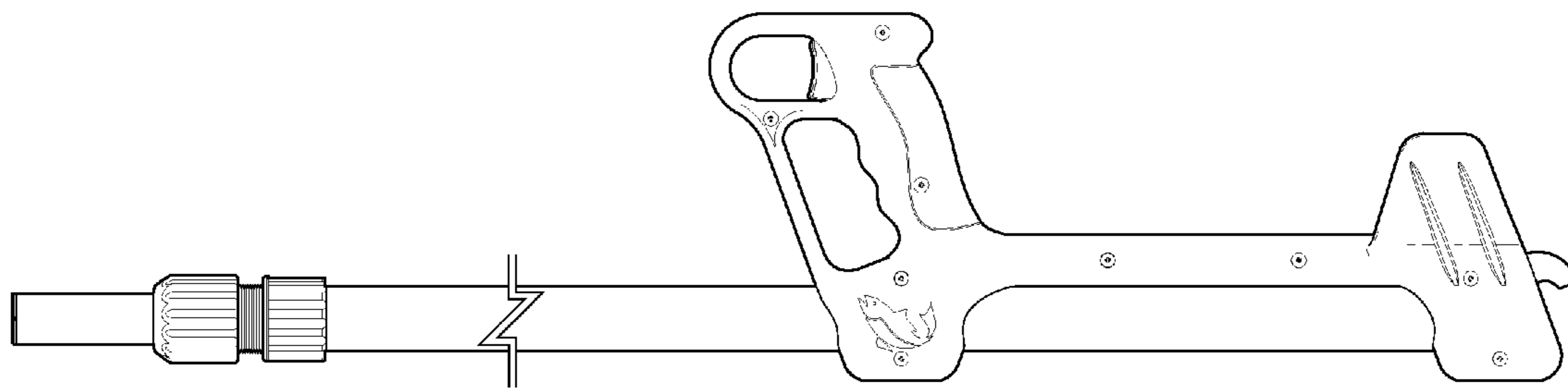


Figure 1

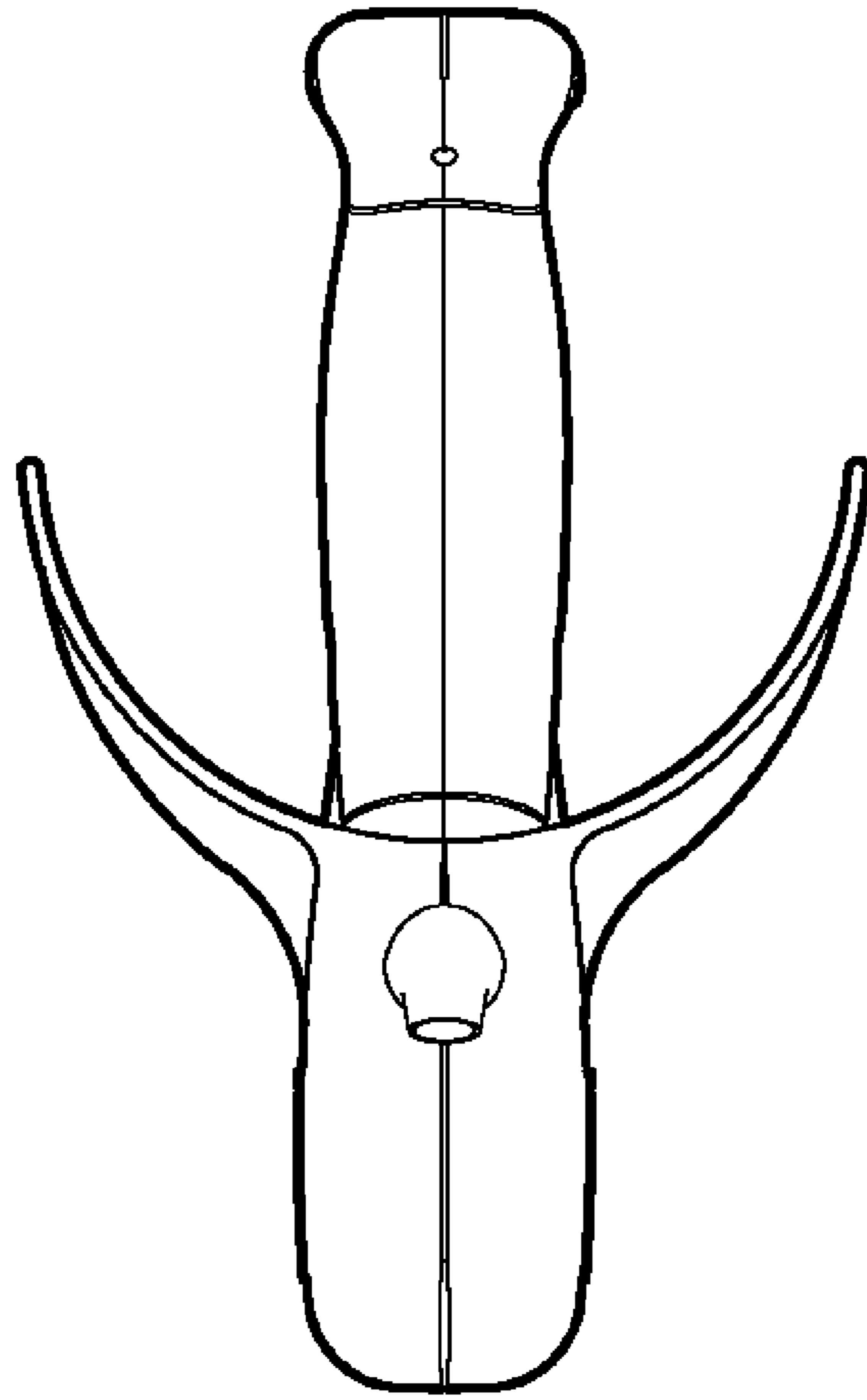


Figure 2

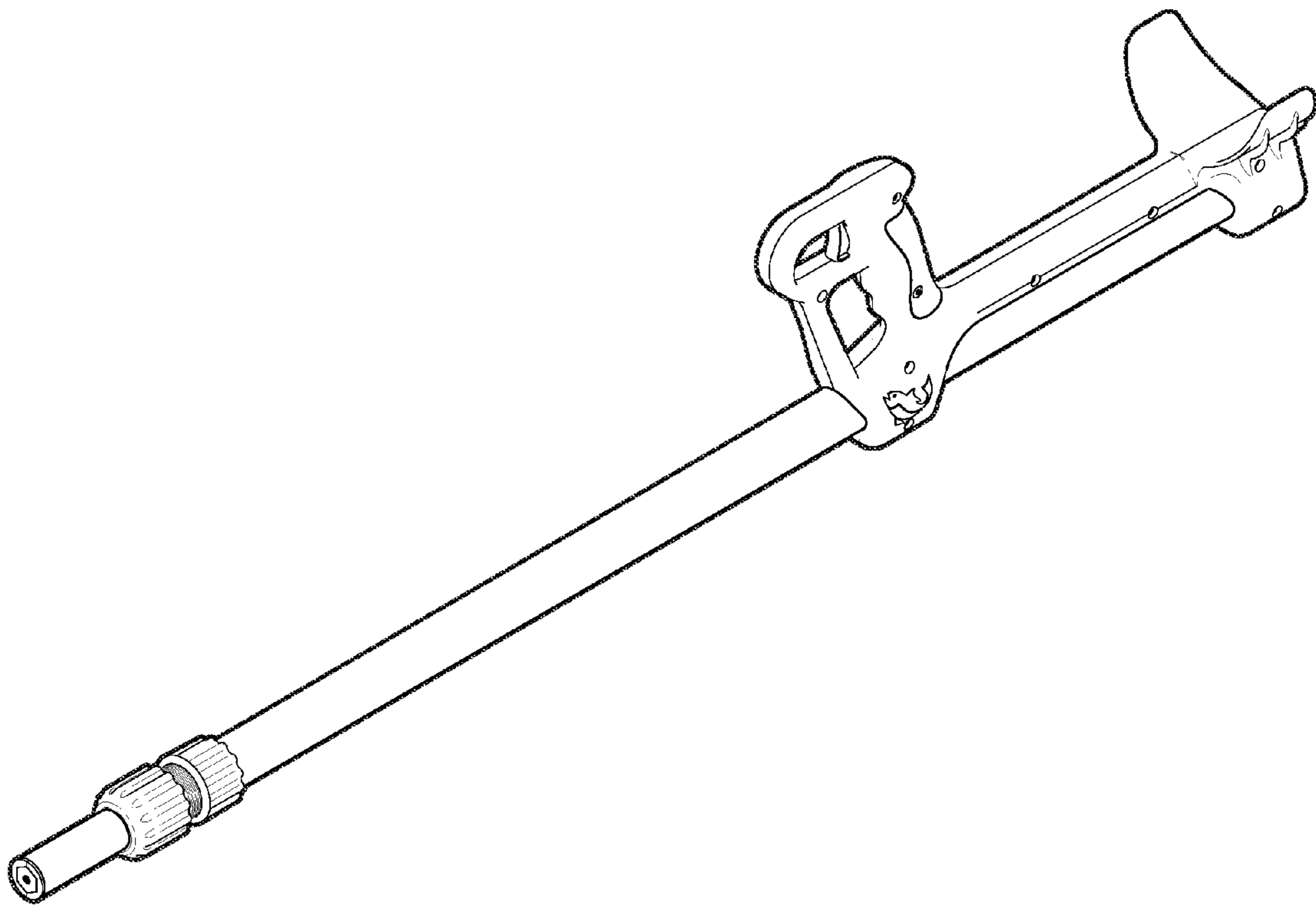


Figure 3

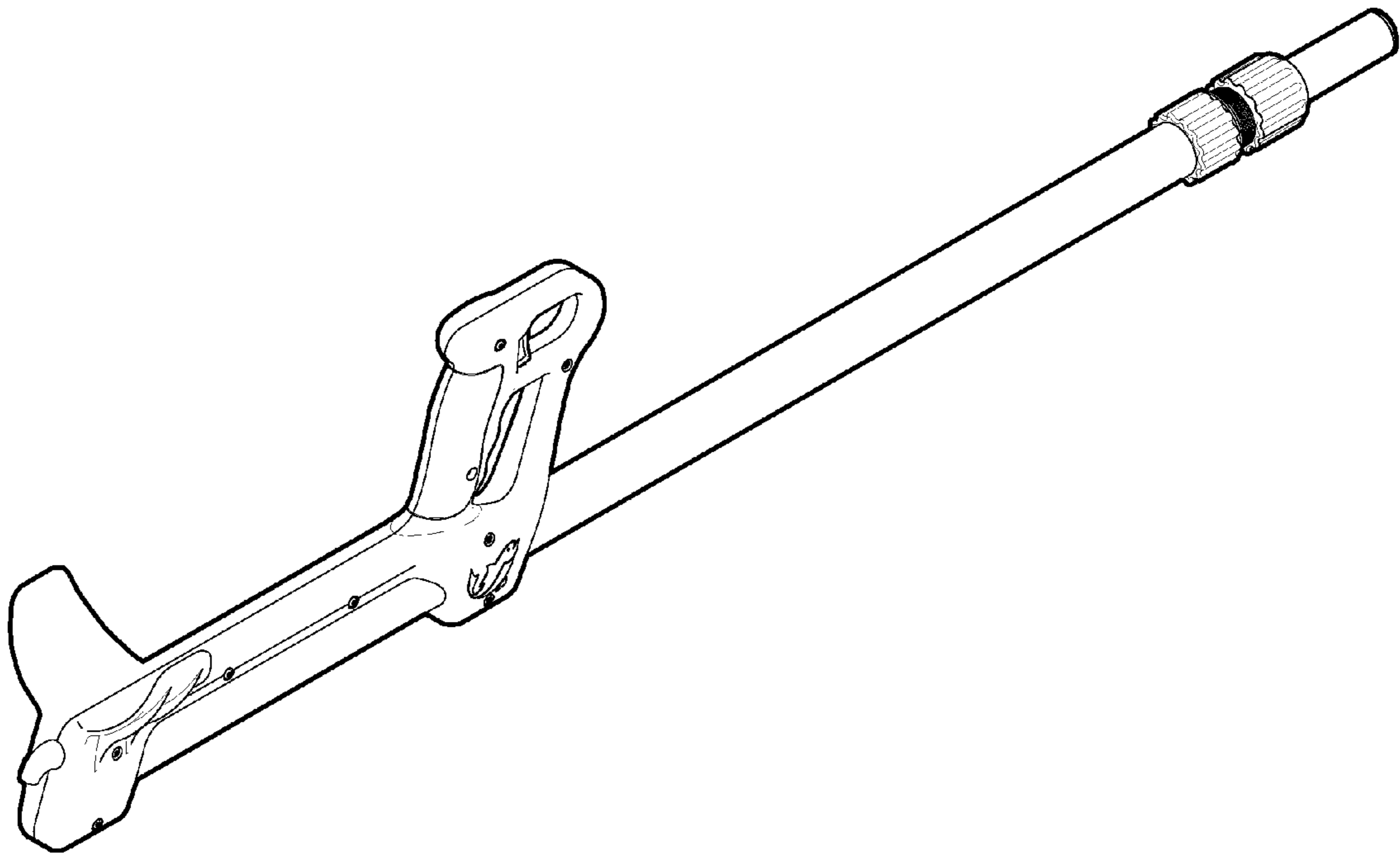


Figure 4

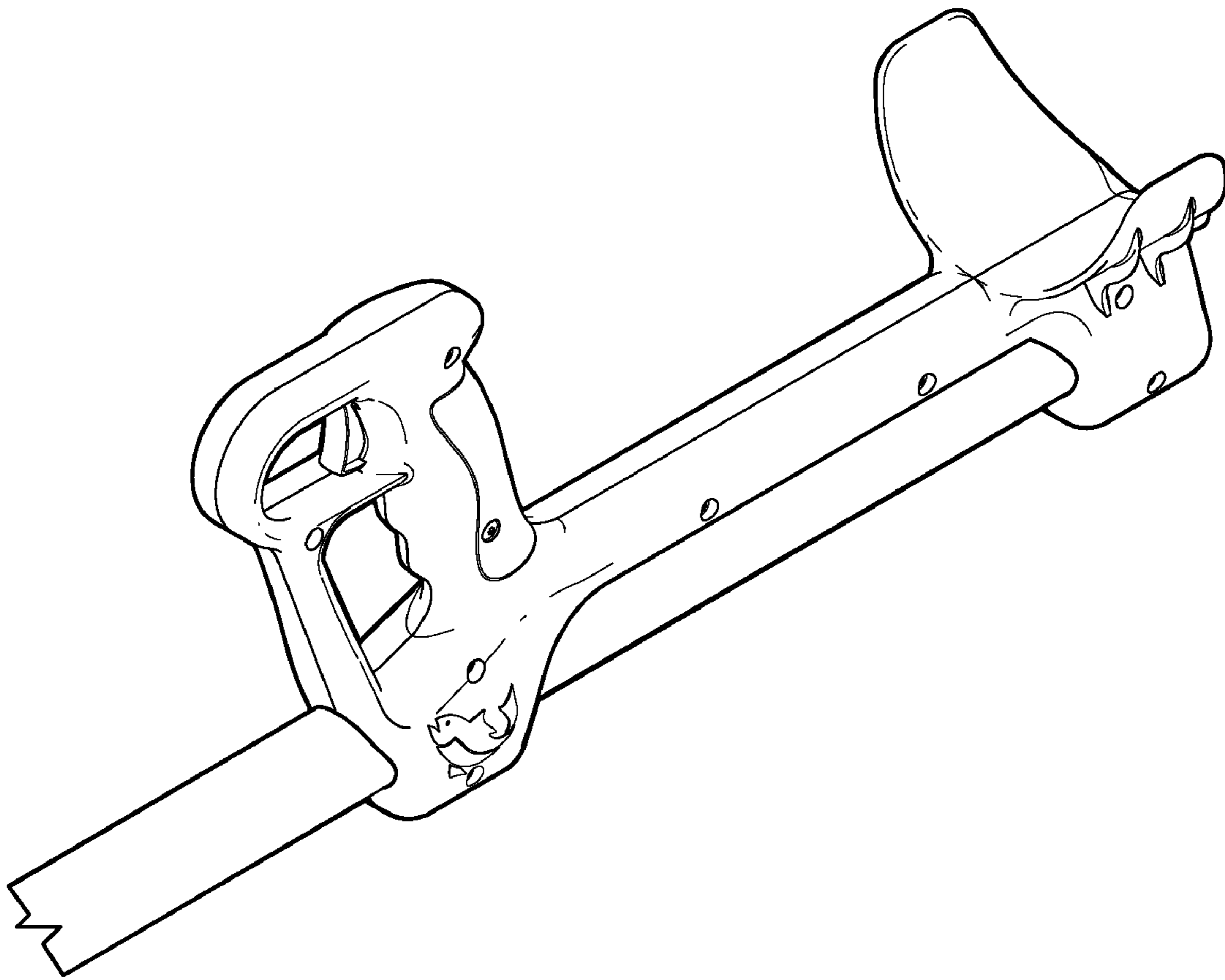


Figure 5