



US00D622802S

(12) **United States Design Patent**
Fitzpatrick et al.

(10) **Patent No.:** **US D622,802 S**
(45) **Date of Patent:** **** Aug. 31, 2010**

(54) **FOLDABLE FIREARM**

(75) Inventors: **Richard M. Fitzpatrick**, Denver, CO (US); **Michael T. Mayberry**, Denver, CO (US); **Eric C. Burt**, Broomfield, CO (US)

(73) Assignee: **Magpul Industries Corp.**, Erie, CO (US)

(**) Term: **14 Years**

(21) Appl. No.: **29/336,360**

(22) Filed: **May 1, 2009**

Related U.S. Application Data

(63) Continuation-in-part of application No. 12/420,019, filed on Apr. 7, 2009.

(51) **LOC (9) Cl.** **22-01**

(52) **U.S. Cl.** **D22/103; D22/104**

(58) **Field of Classification Search** D22/100, D22/101, 103, 104, 108, 199; D21/572, D21/573; 42/51, 71.01, 75.01, 75.02, 90, 42/94, 134, 136, 139, 125, 72, 111; 362/110; 33/214, 277; 313/105 R; 89/40.06, 41.19, 89/37.04, 33.04, 191.01, 200-204; 124/67, 124/66, 74

See application file for complete search history.

(56) **References Cited**

U.S. PATENT DOCUMENTS

3,029,539 A * 4/1962 Glass et al. 42/57
(Continued)

Primary Examiner—T. Chase Nelson

Assistant Examiner—Michael A Pratt

(74) *Attorney, Agent, or Firm*—Geoffrey E. Dobbin

(57) **CLAIM**

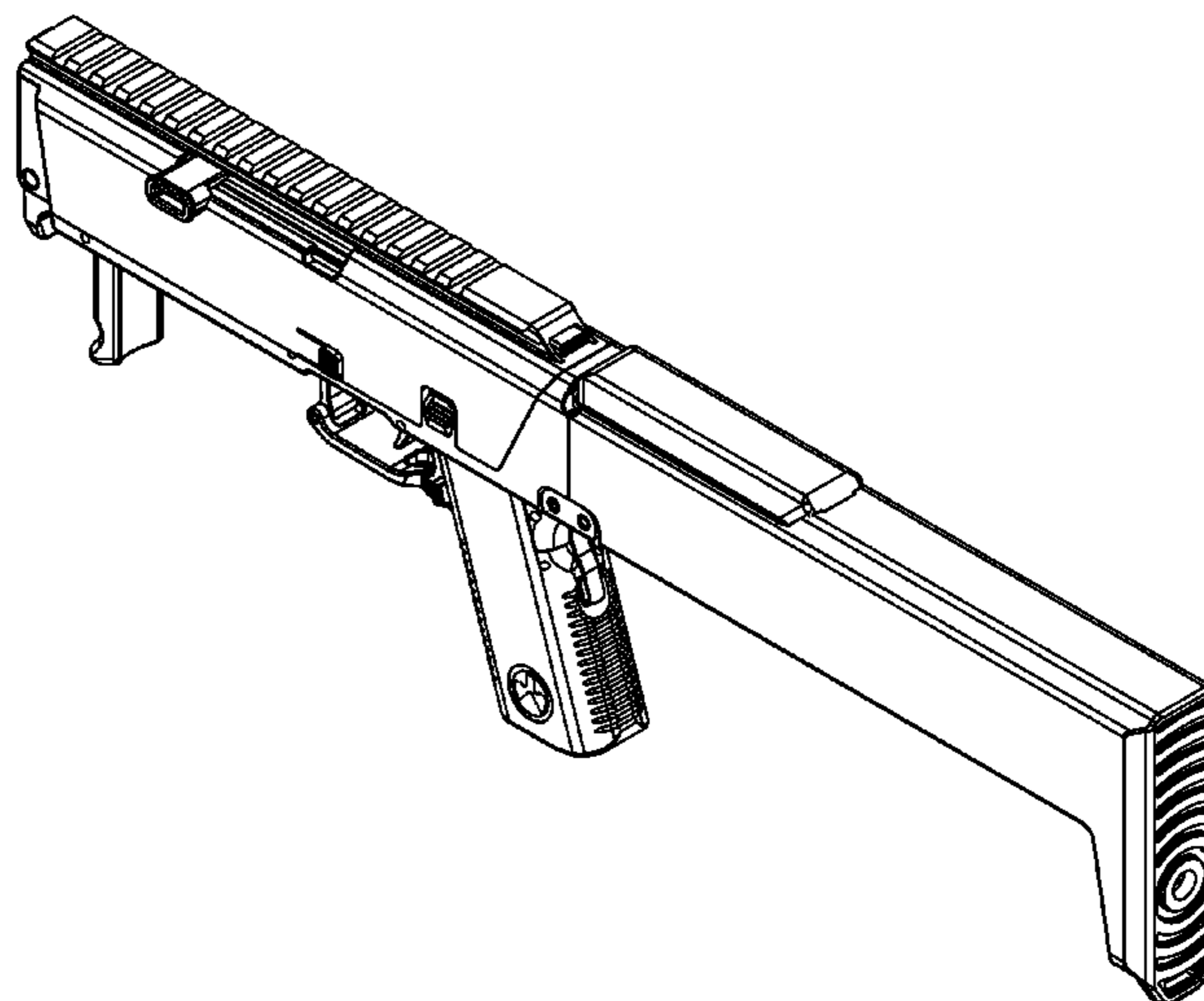
An ornamental design for a foldable firearm, as shown and described.

DESCRIPTION

FIG. 1 is a top/rear/left perspective view of the firearm, open.
FIG. 2 is a left plan view of the firearm, open.

FIG. 3 is a right plan view of the firearm, open.
FIG. 4 is a top plan view of the firearm, open.
FIG. 5 is a bottom plan view of the firearm, open.
FIG. 6 is a front plan view of the firearm, open.
FIG. 7 is a rear plan view of the firearm, open.
FIG. 8 is a top/front/left perspective view of the firearm, open.
FIG. 9 is a bottom/front/left perspective view of the firearm, open.
FIG. 10 is a bottom/front/right perspective view of the firearm, open.
FIG. 11 is a top/front/right perspective view of the firearm, open.
FIG. 12 is a bottom/rear/left perspective view of the firearm, open.
FIG. 13 is a top/rear/right perspective view of the firearm, open.
FIG. 14 is a bottom/rear/right perspective view of the firearm, open.
FIG. 15 is a top/rear/left perspective view of the firearm, closed.
FIG. 16 is a left plan view of the firearm, closed.
FIG. 17 is a right plan view of the firearm, closed.
FIG. 18 is a top plan view of the firearm, closed.
FIG. 19 is a bottom plan view of the firearm, closed.
FIG. 20 is a front plan view of the firearm, closed.
FIG. 21 is a rear plan view of the firearm, closed.
FIG. 22 is a top/front/left perspective view of the firearm, closed.
FIG. 23 is a bottom/front/left perspective view of the firearm, closed.
FIG. 24 is a bottom/front/right perspective view of the firearm, closed.
FIG. 25 is a top/front/right perspective view of the firearm, closed.
FIG. 26 is a bottom/rear/left perspective view of the firearm, closed.
FIG. 27 is a top/rear/right perspective view of the firearm, closed; and,
FIG. 28 is a bottom/rear/right perspective view of the firearm, closed.
The broken line showing of FIGS. 3,5,6,9,10,12 and 14 is included for the purpose of illustrating portions of the Foldable Firearm that forms no part of the claimed design.

1 Claim, 13 Drawing Sheets



US D622,802 S

Page 2

U.S. PATENT DOCUMENTS

D212,219 S *	9/1968	Crouch	D22/101	D262,478 S *	12/1981	Beuchat	D22/102
D212,220 S *	9/1968	Crouch	D22/101	4,788,785 A *	12/1988	White	42/72
3,977,297 A *	8/1976	Orozco	89/199	4,833,970 A *	5/1989	Wilhelm	89/141
3,987,571 A *	10/1976	Orozco	42/71.01	5,004,444 A *	4/1991	Chih	446/406
				2009/0277066 A1 *	11/2009	Burt et al.	42/6

* cited by examiner

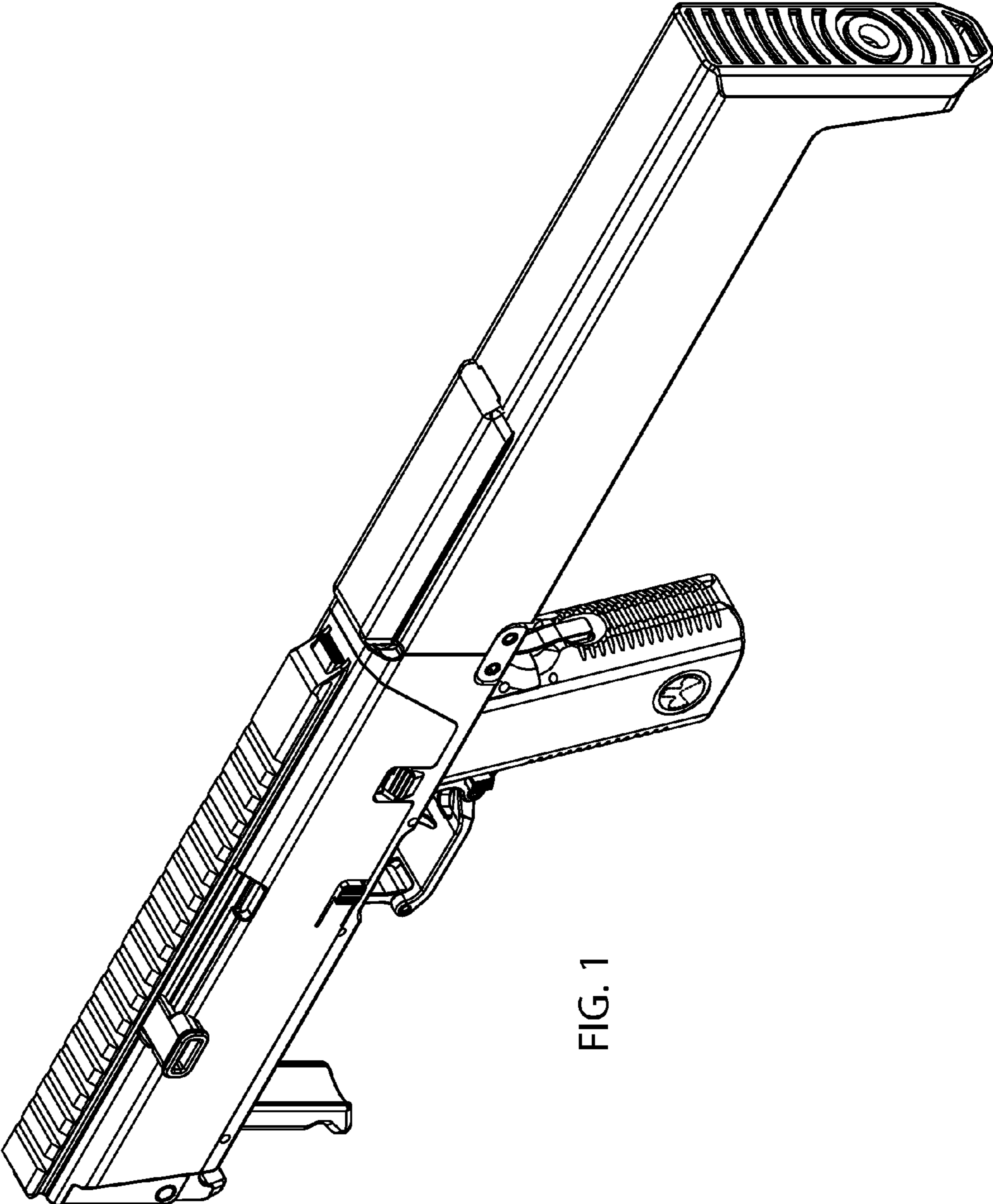


FIG. 1

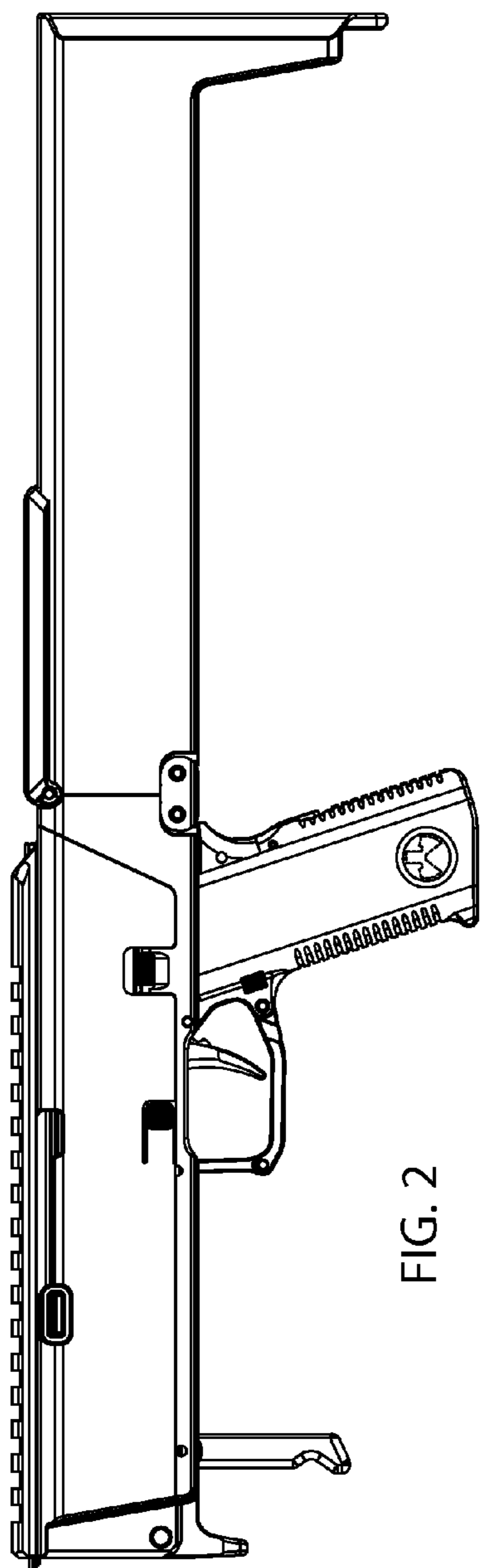


FIG. 2

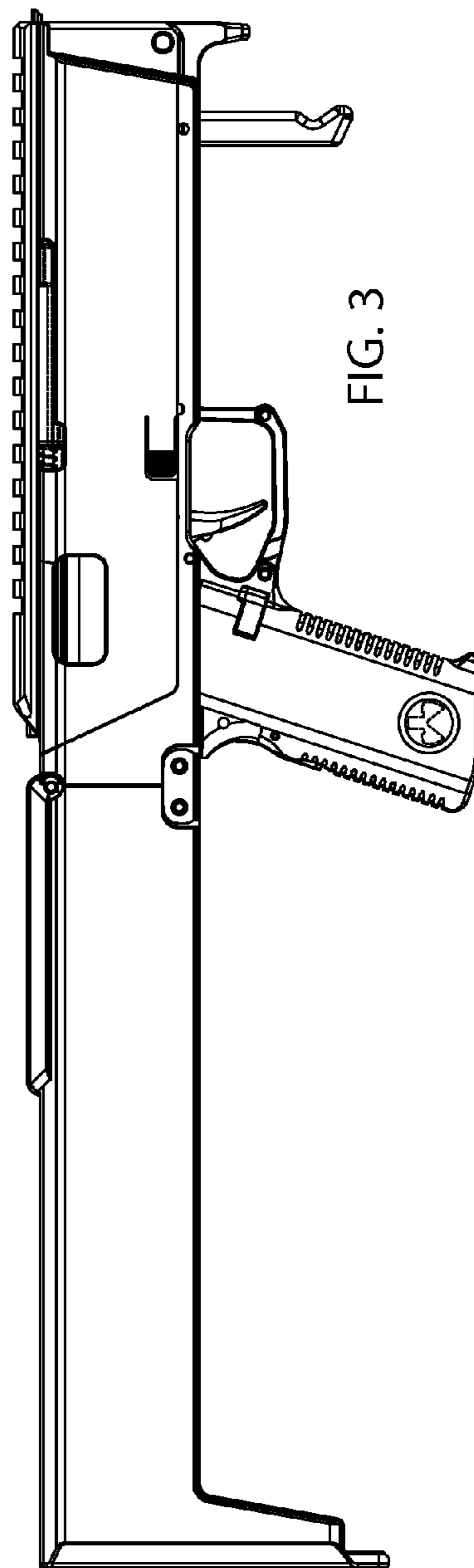


FIG. 3

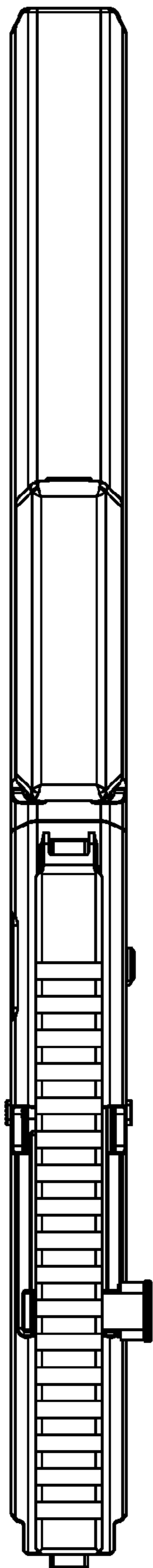


FIG. 4

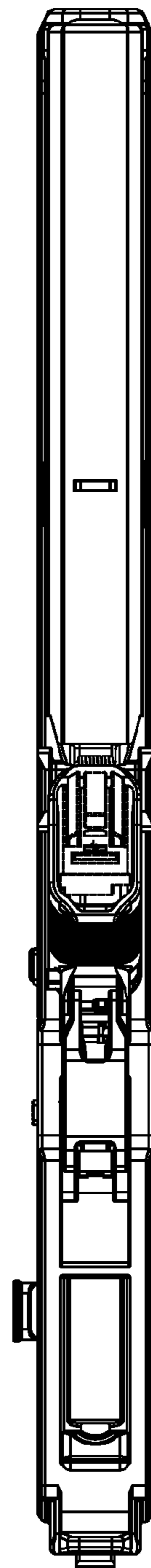


FIG. 5

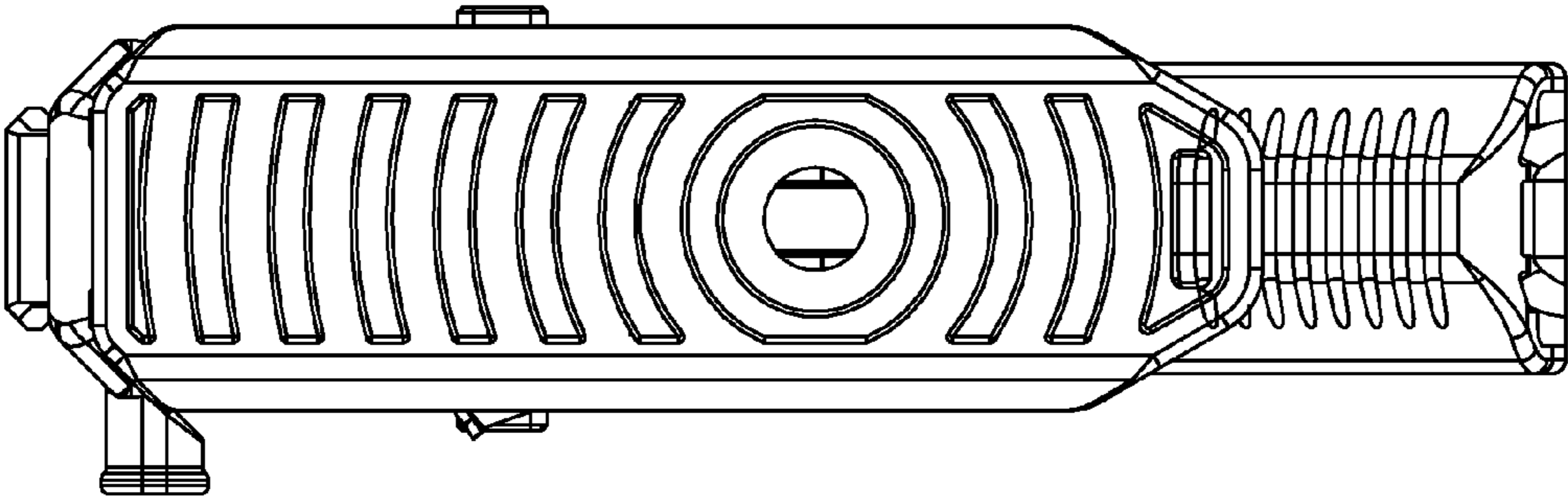


FIG. 7

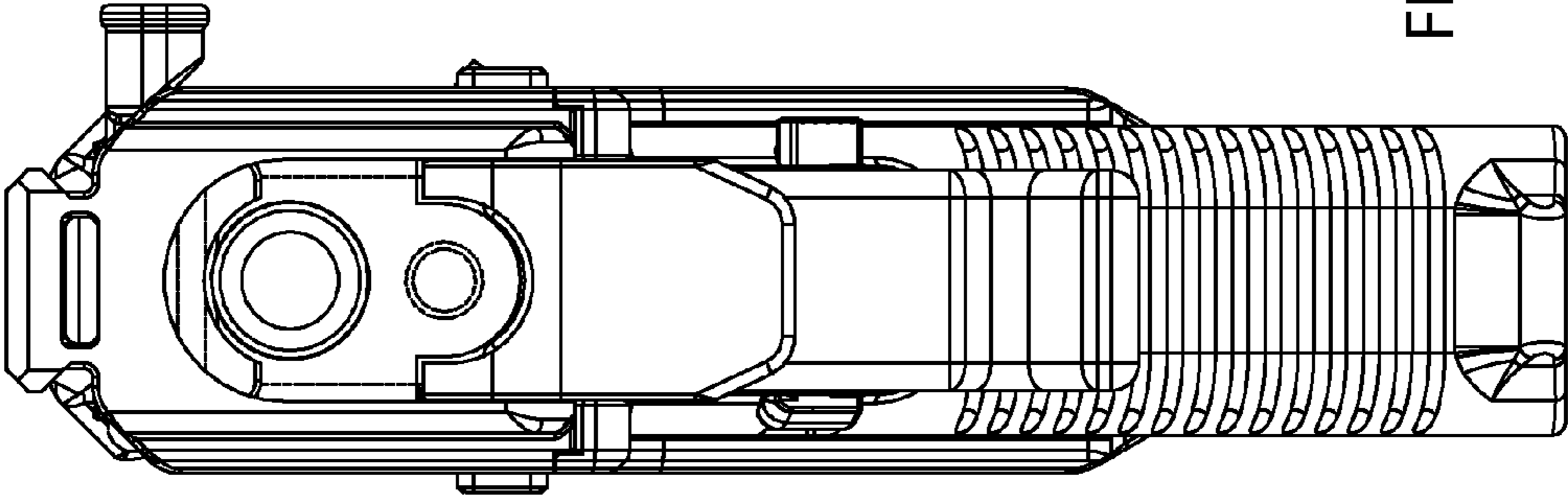


FIG. 6

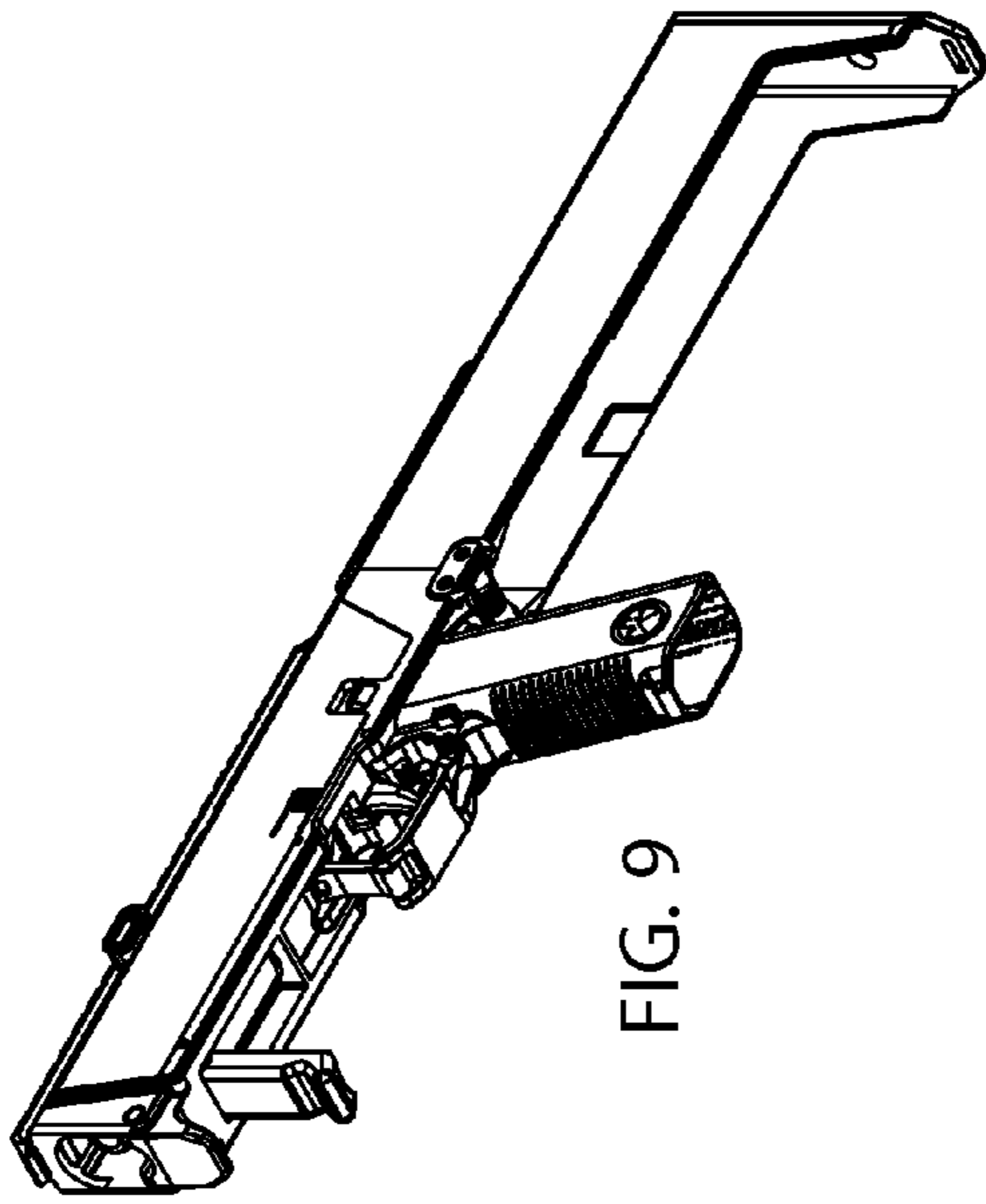


FIG. 9

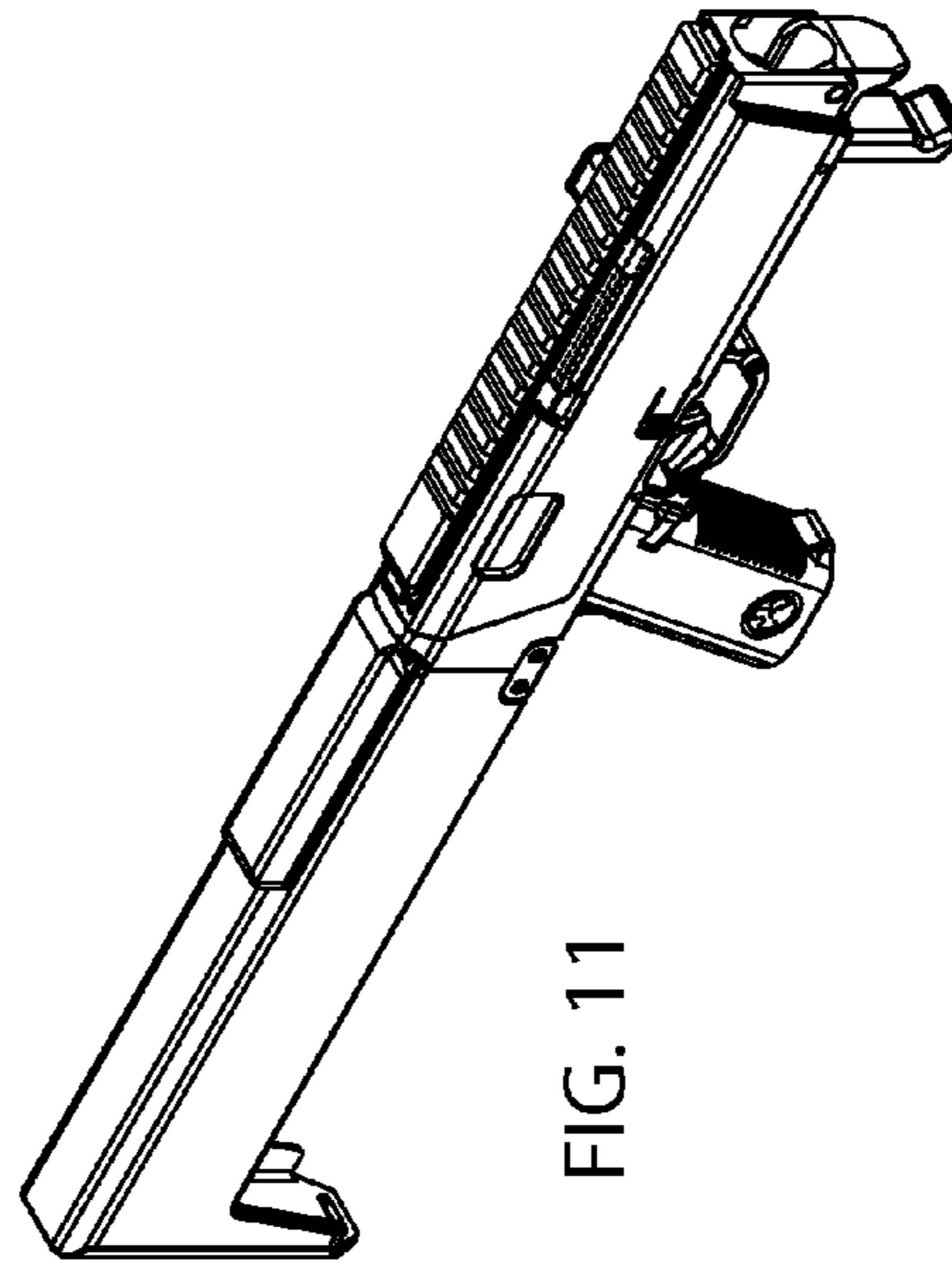


FIG. 11

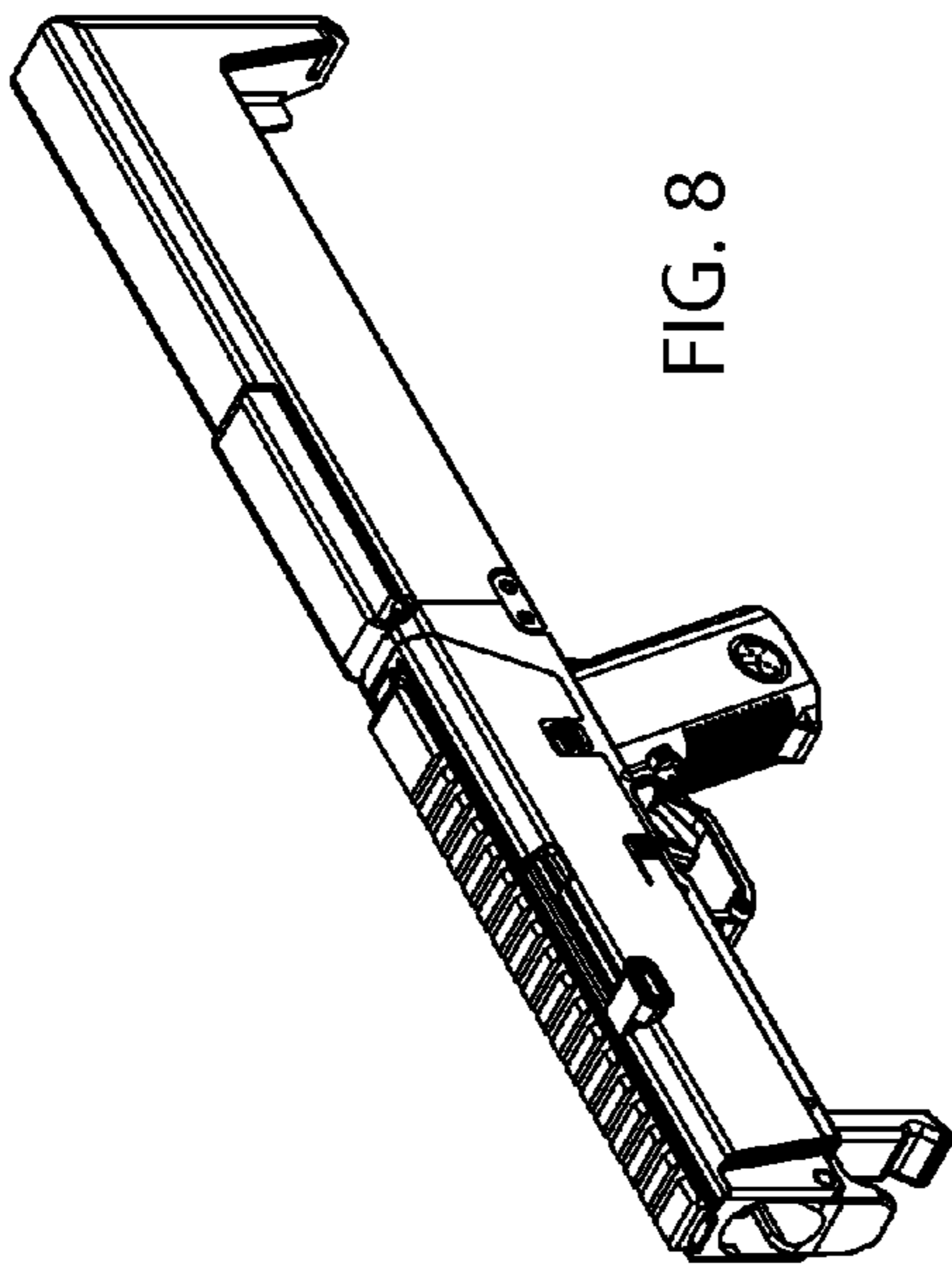


FIG. 8

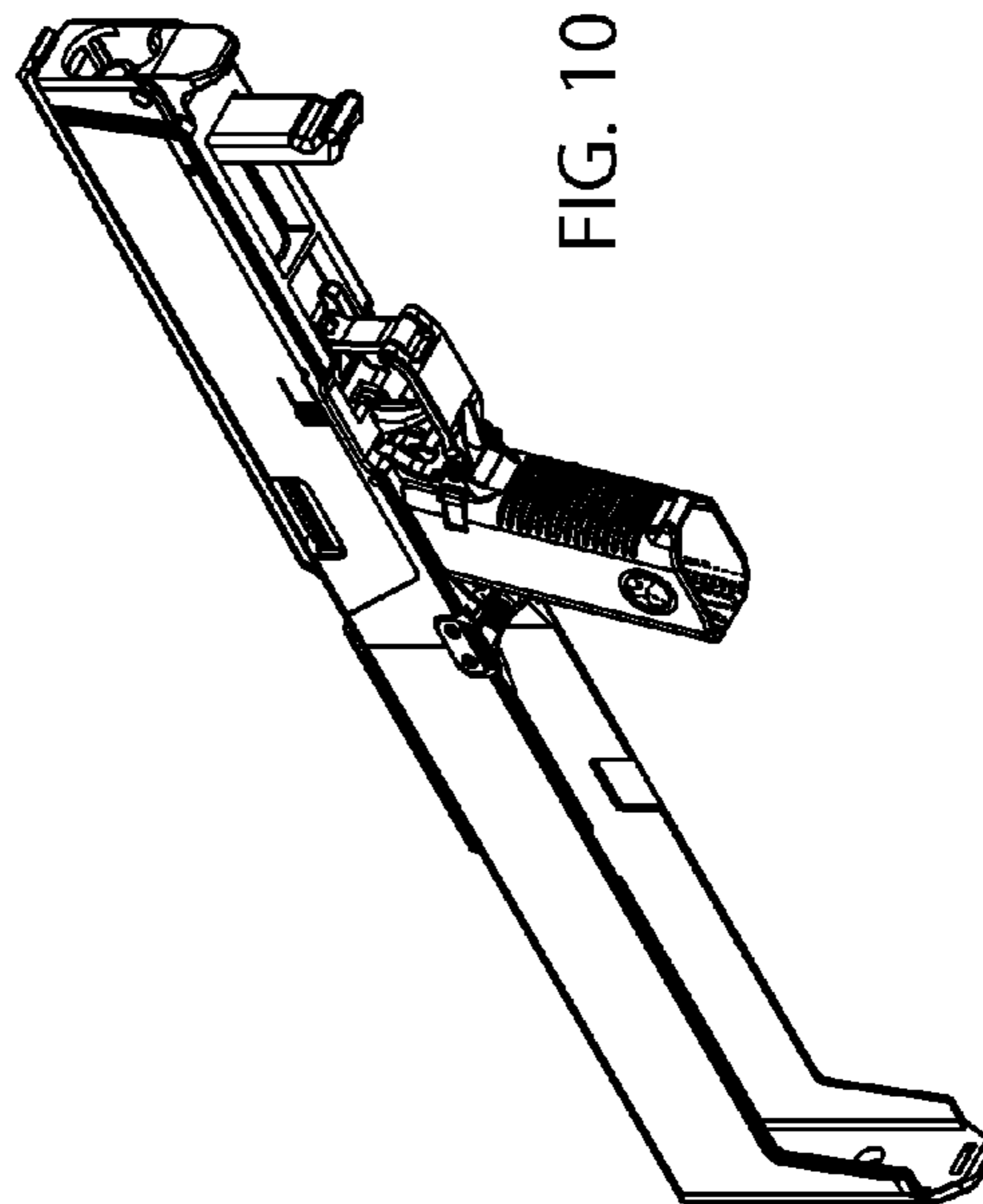


FIG. 10

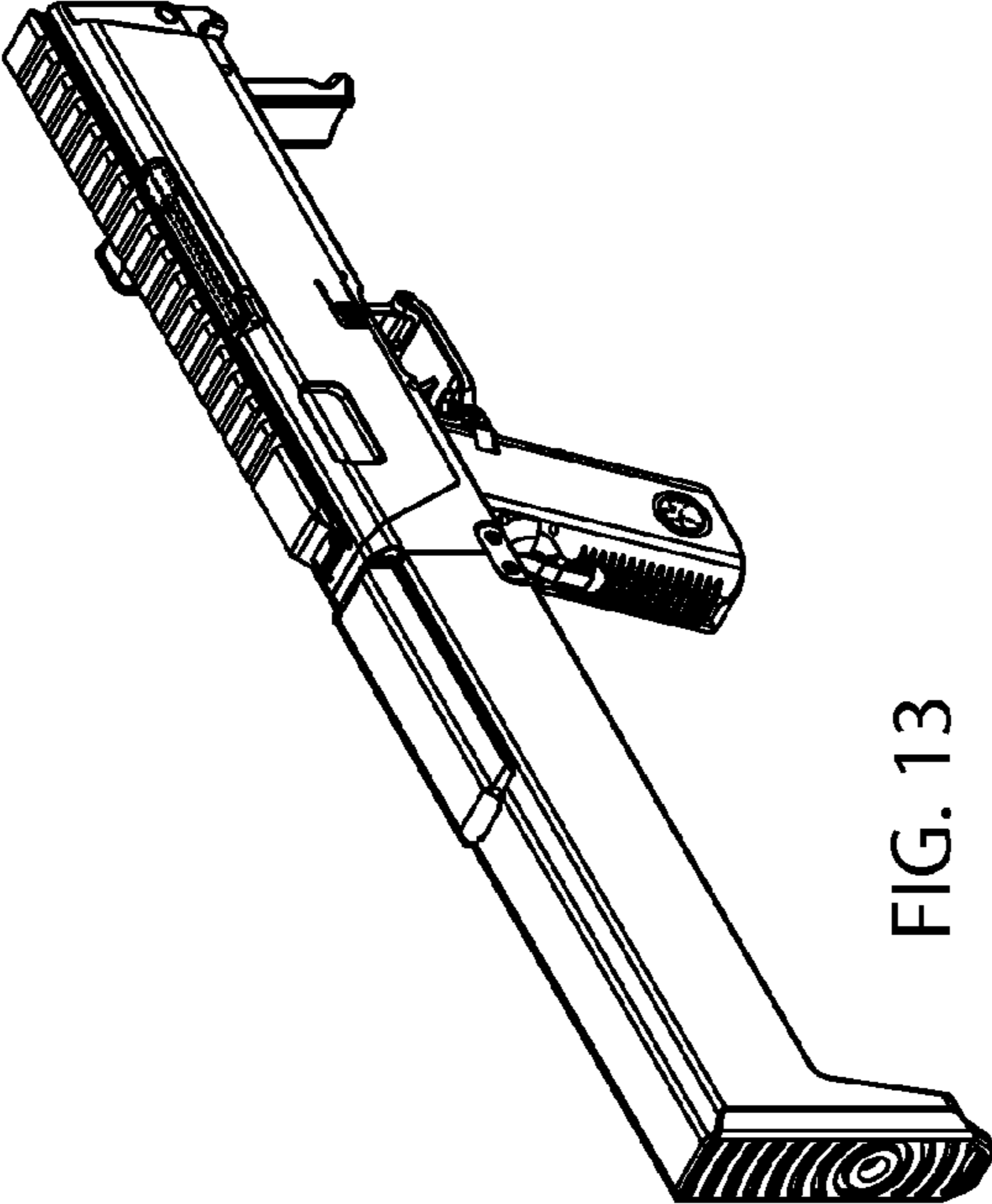


FIG. 13

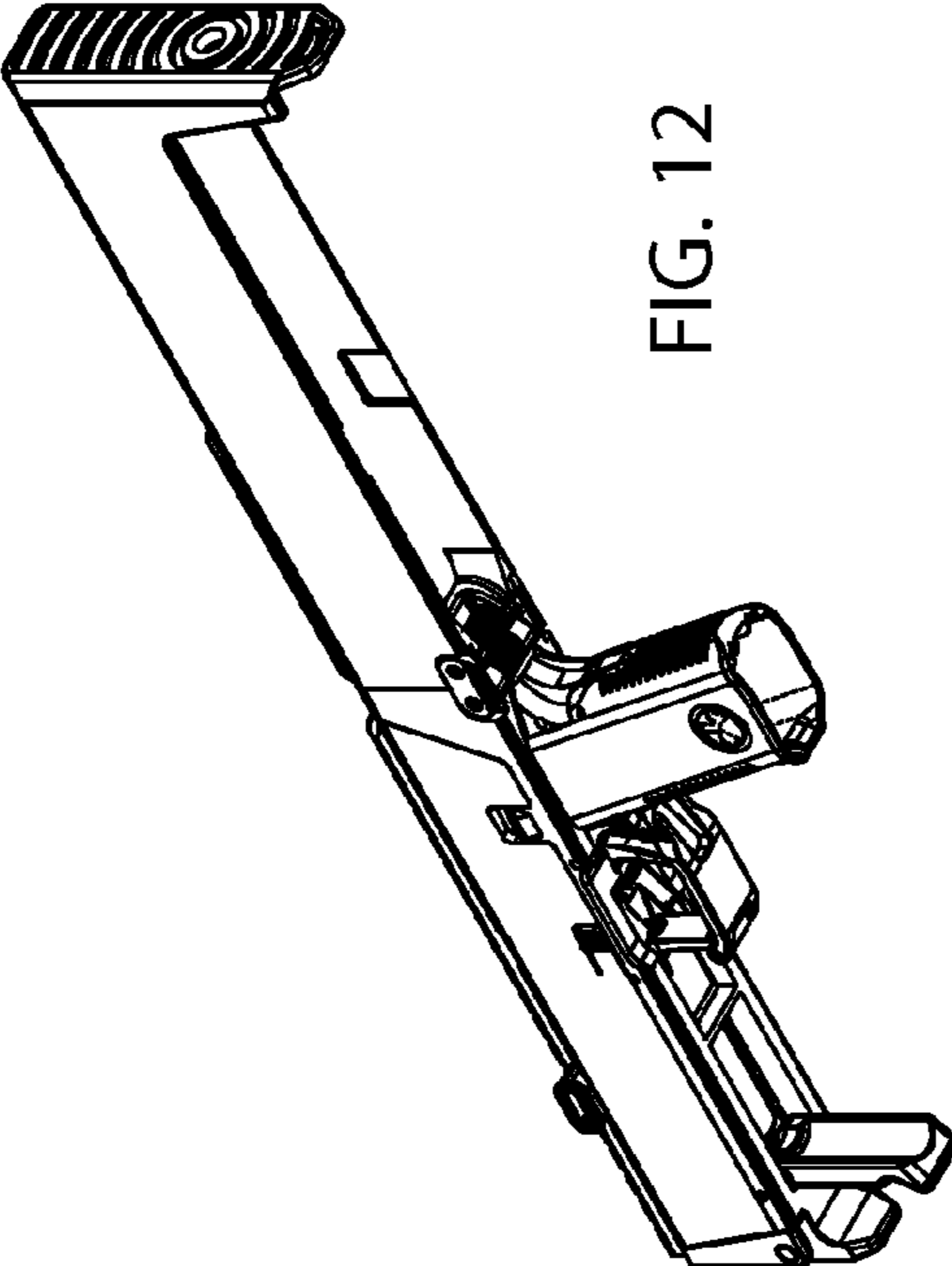


FIG. 12

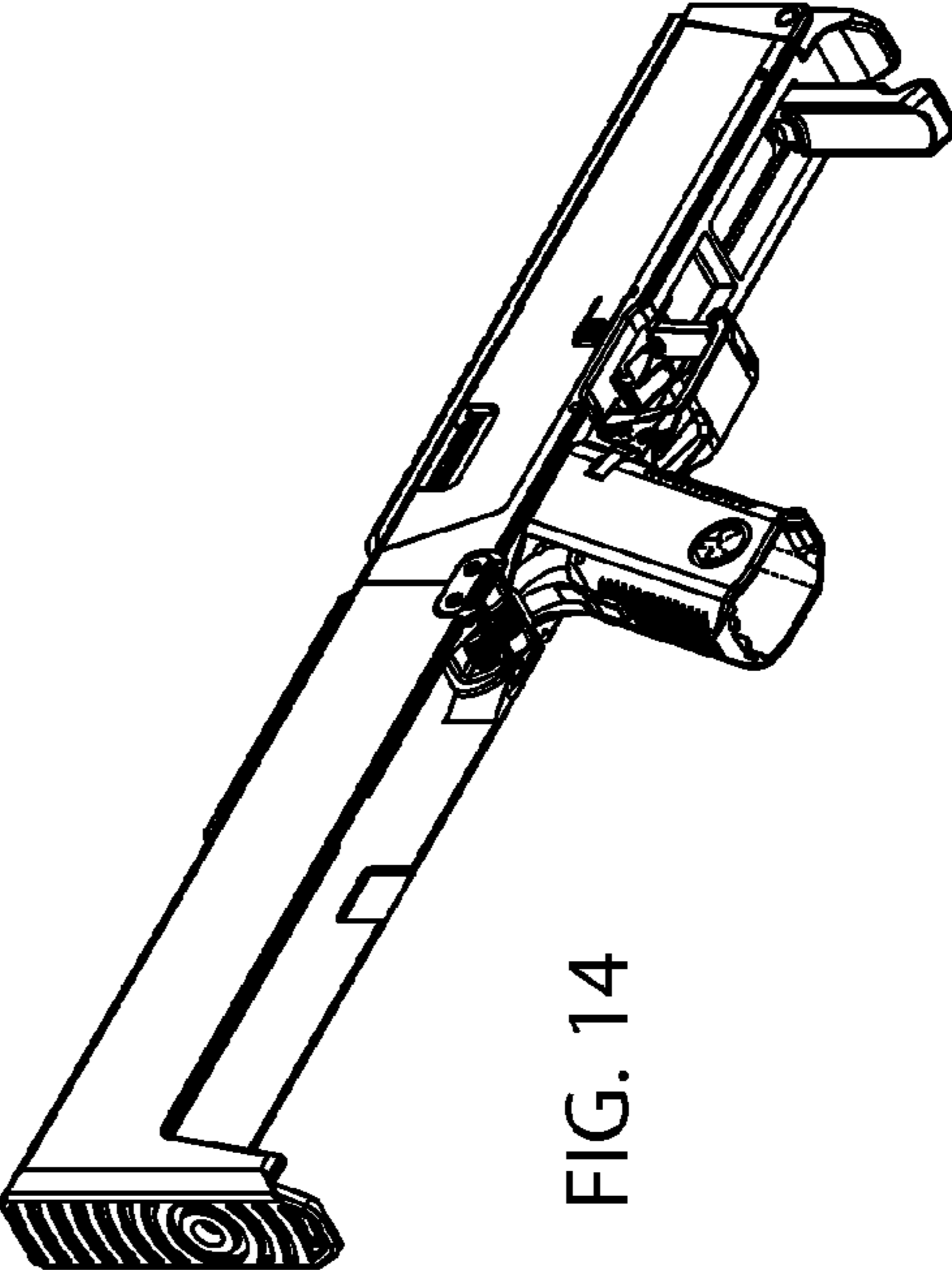


FIG. 14

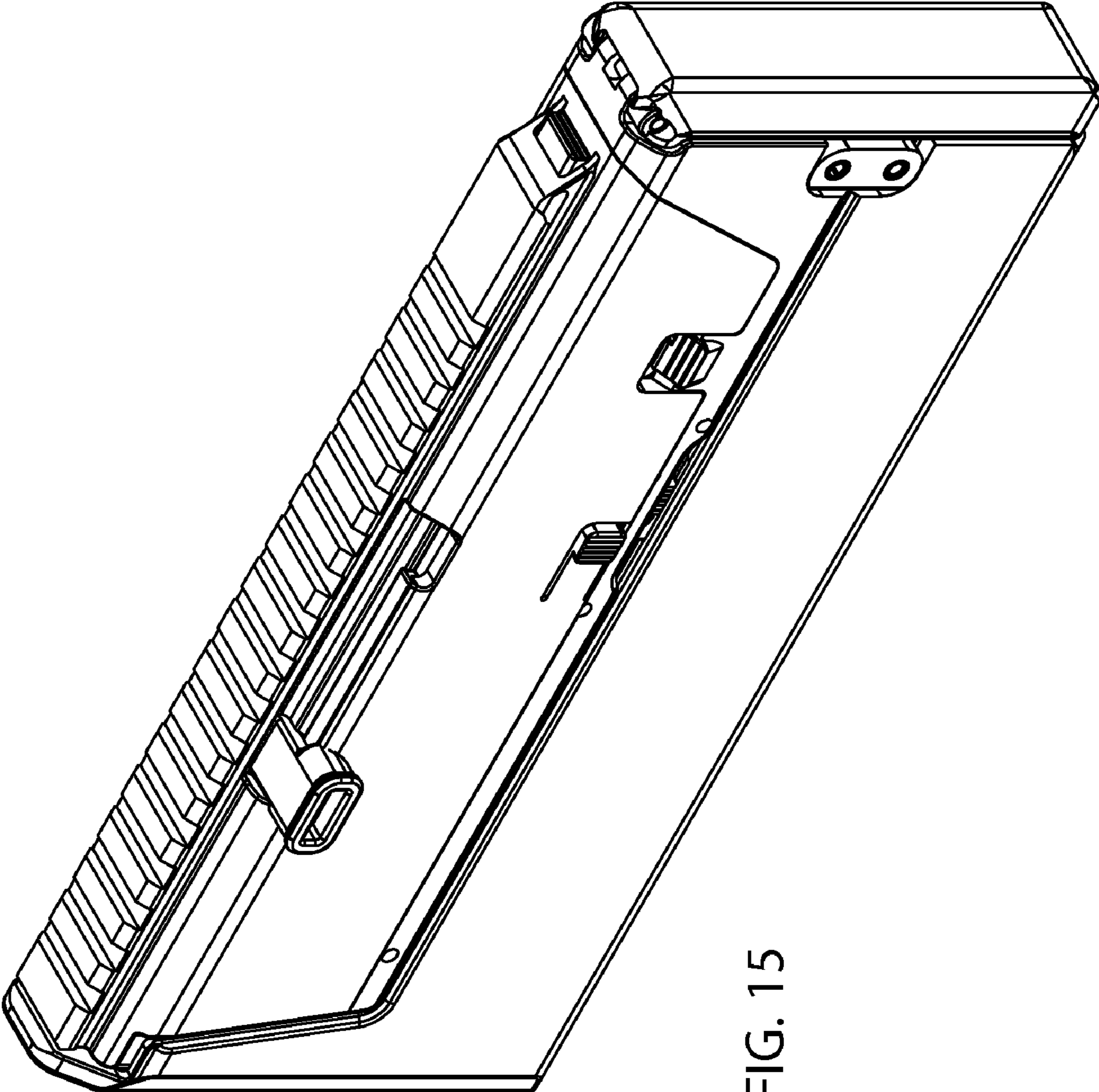


FIG. 15

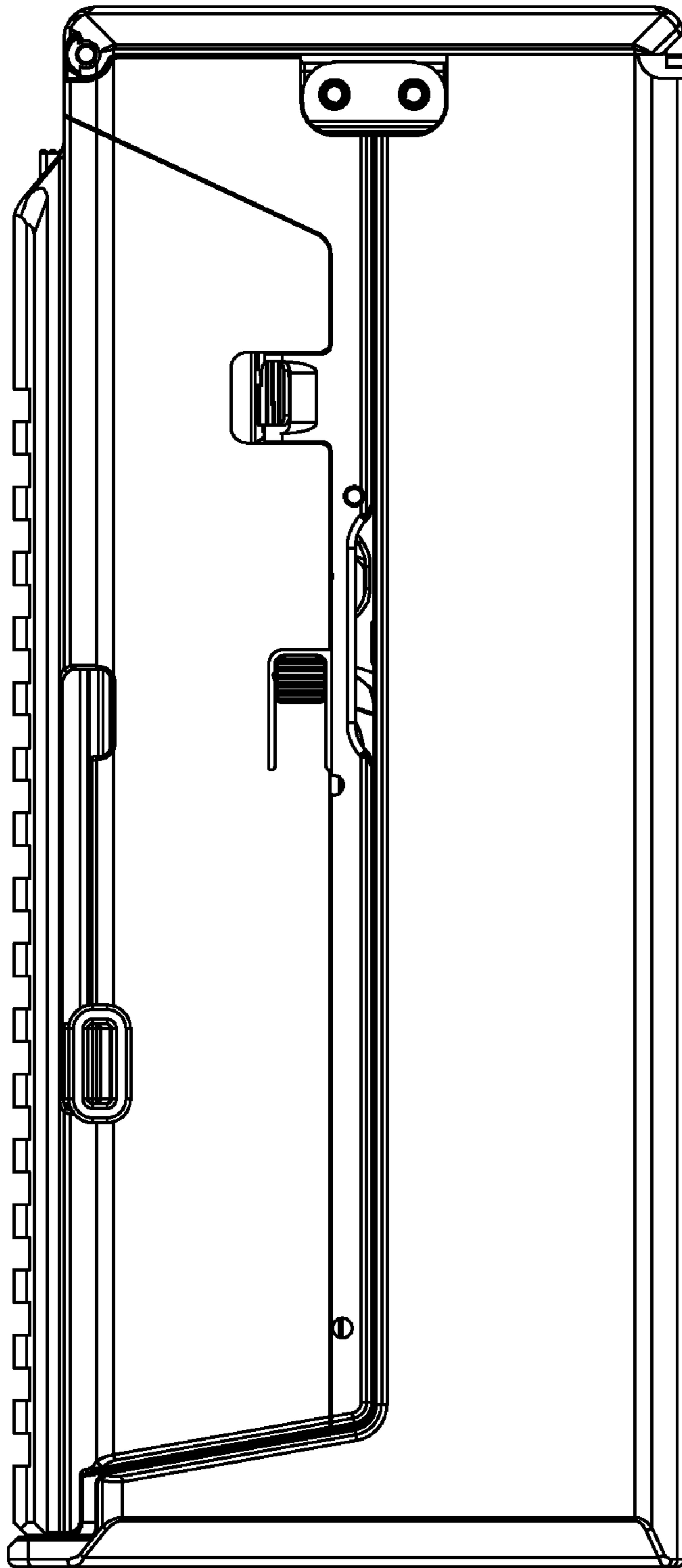


FIG. 16

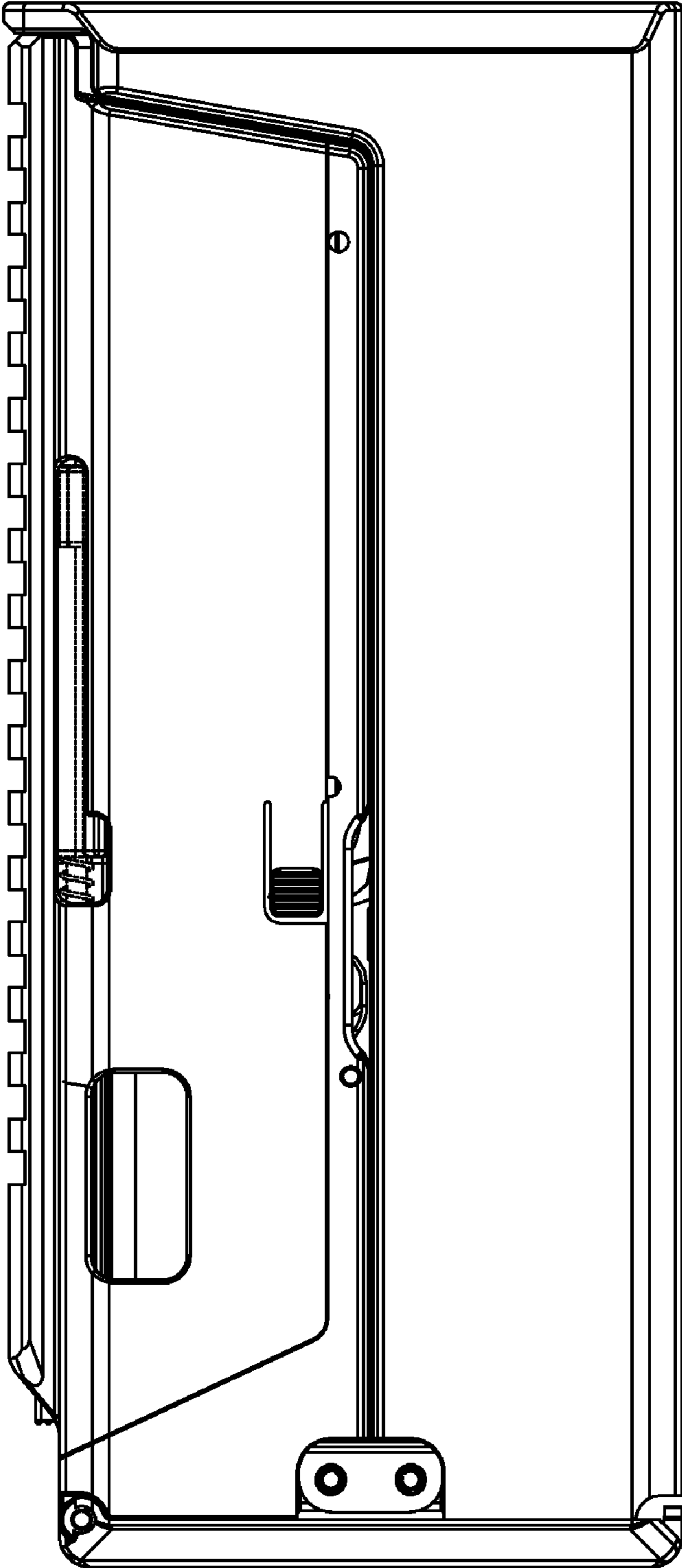


FIG. 17

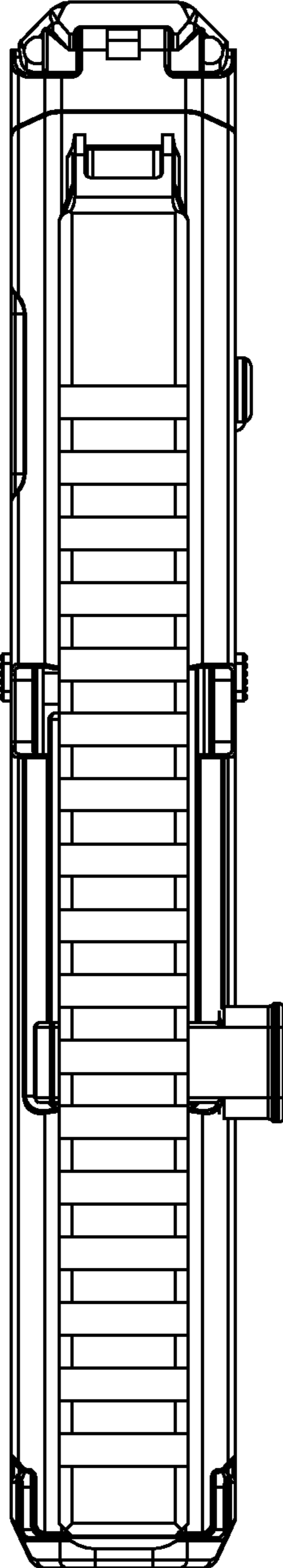


FIG. 18

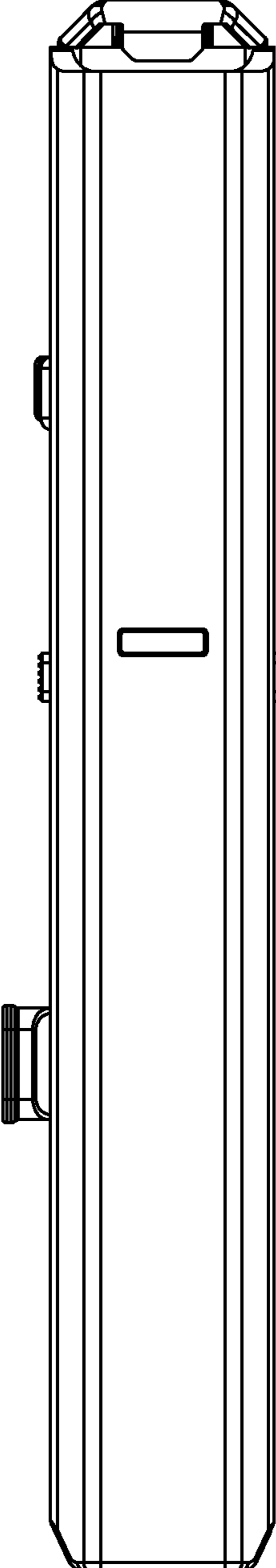


FIG. 19

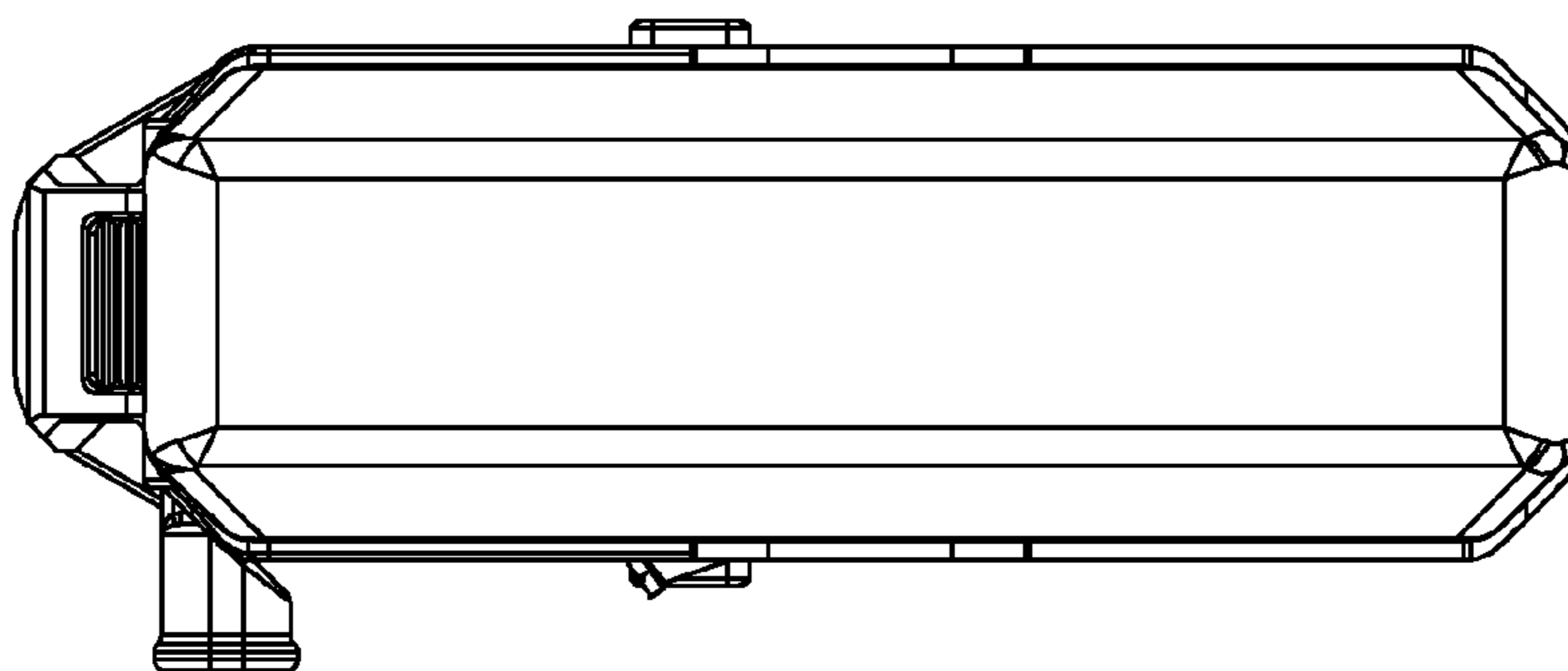


FIG. 21

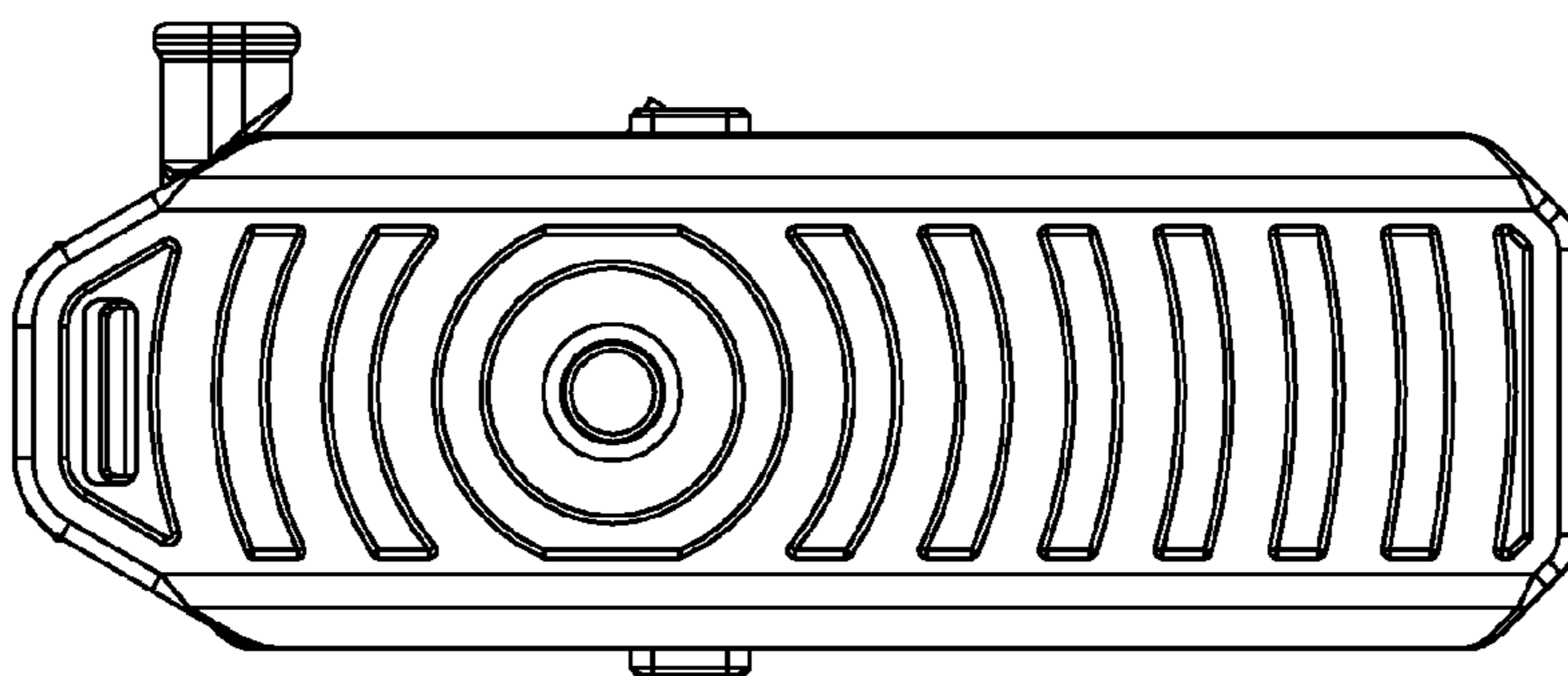


FIG. 20

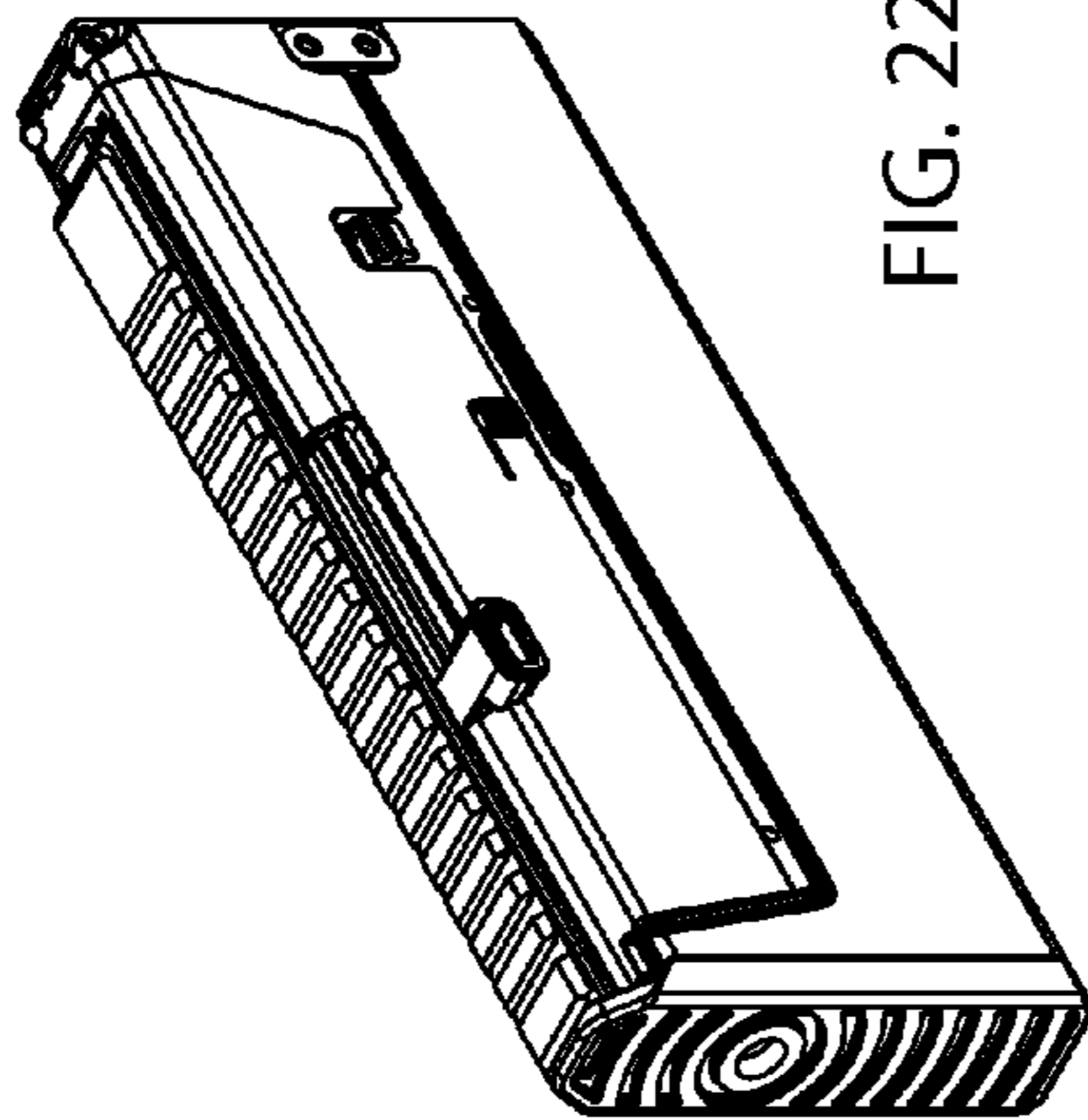


FIG. 22

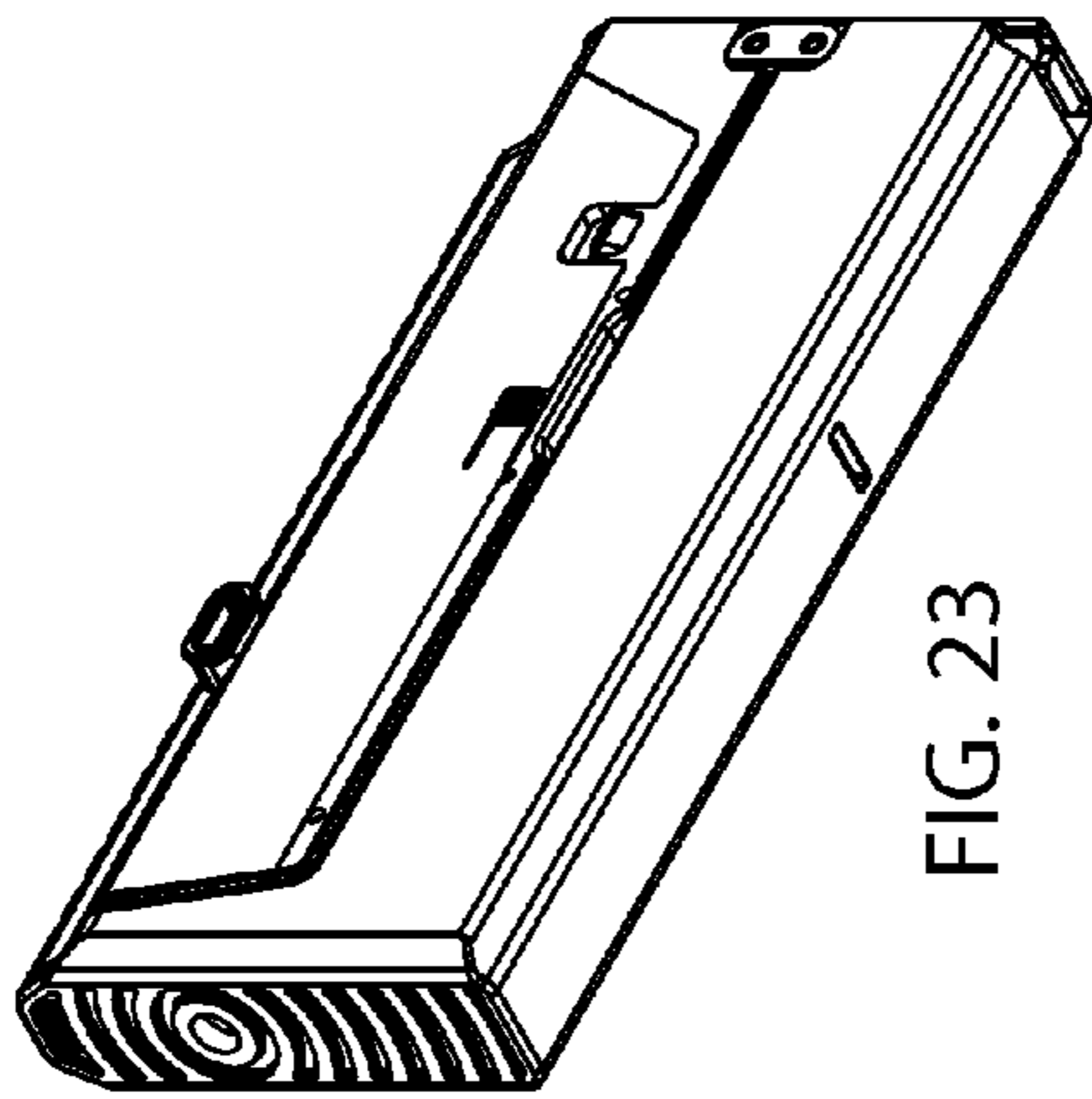


FIG. 23

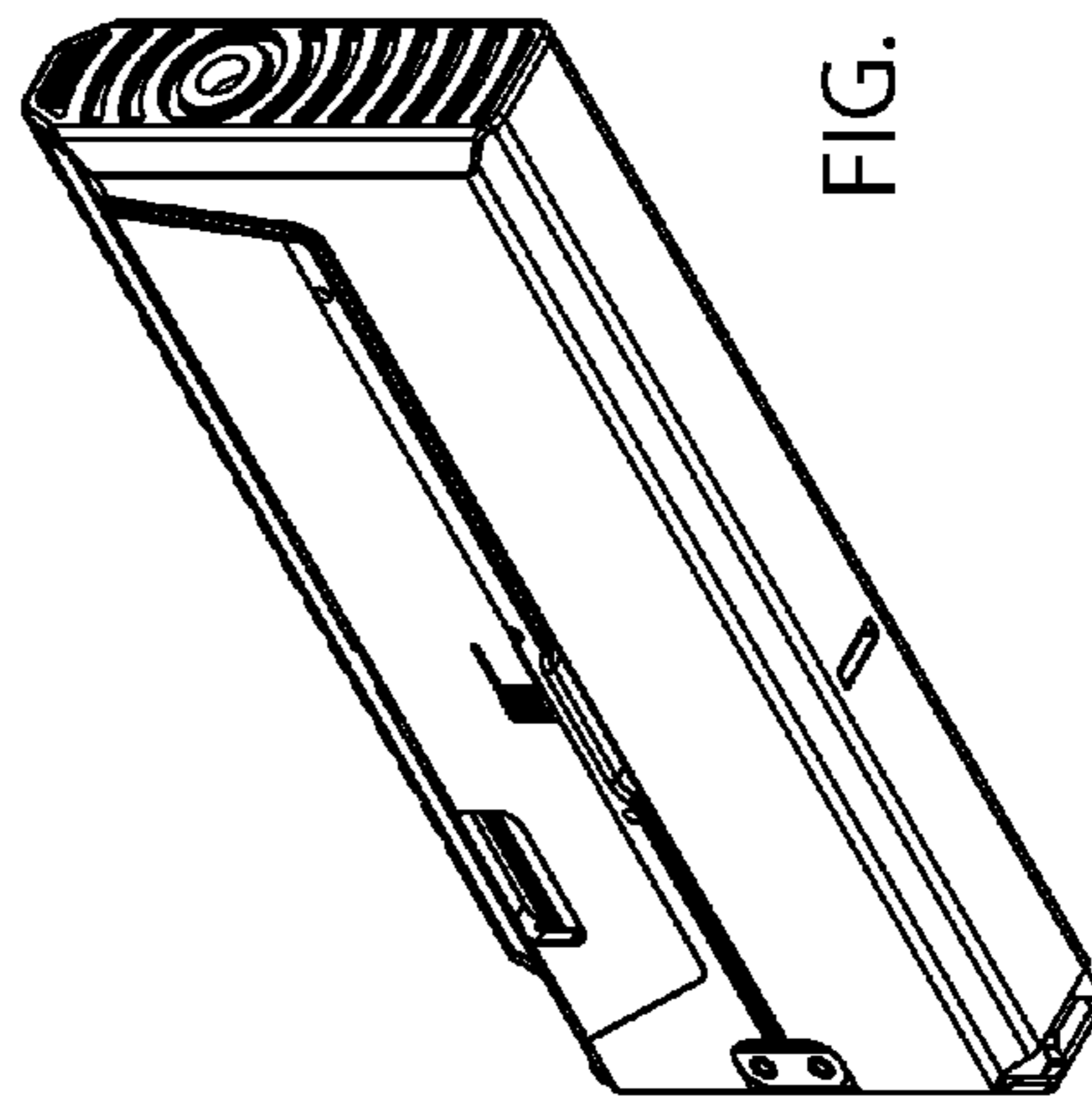


FIG. 24

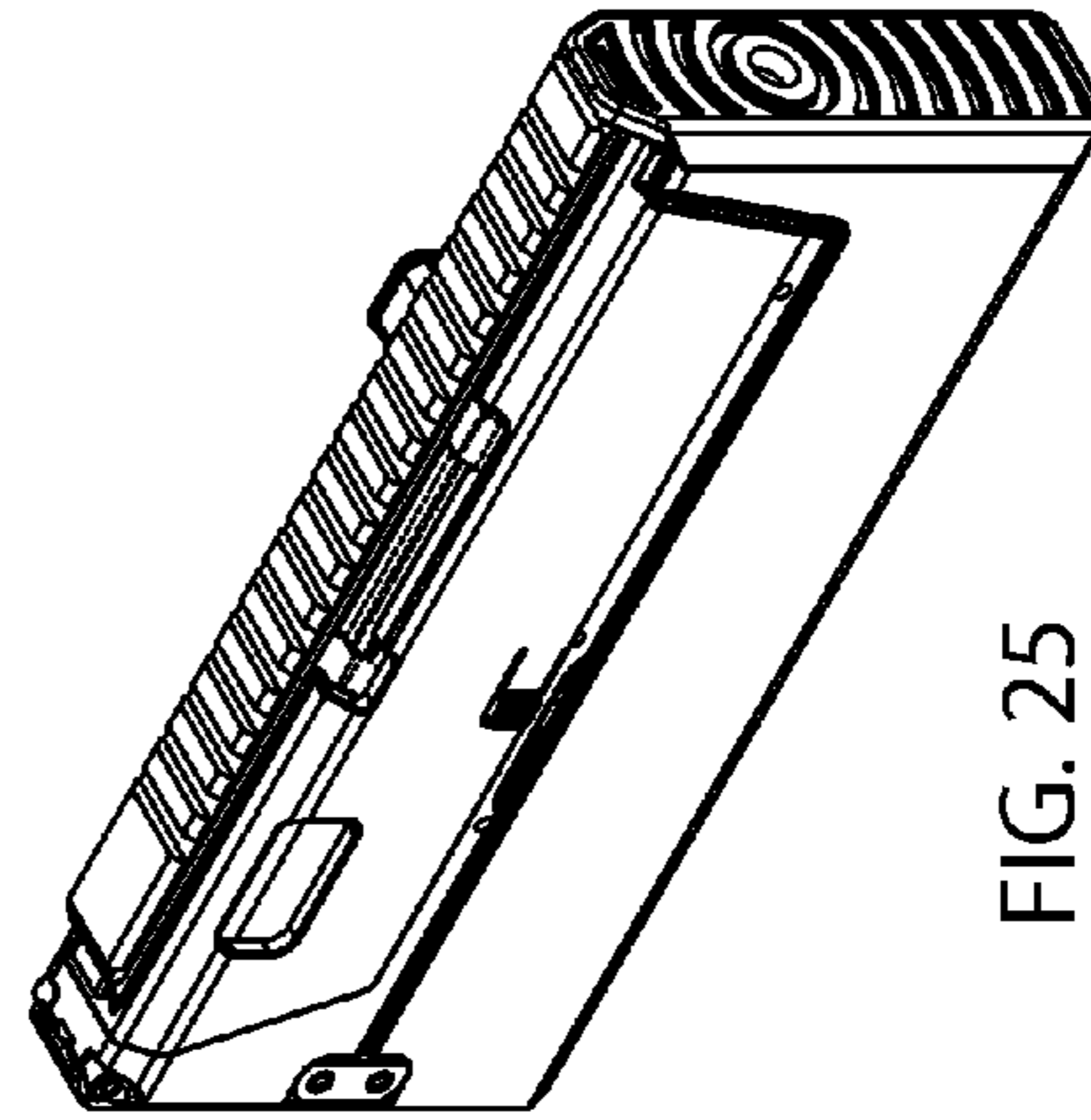


FIG. 25

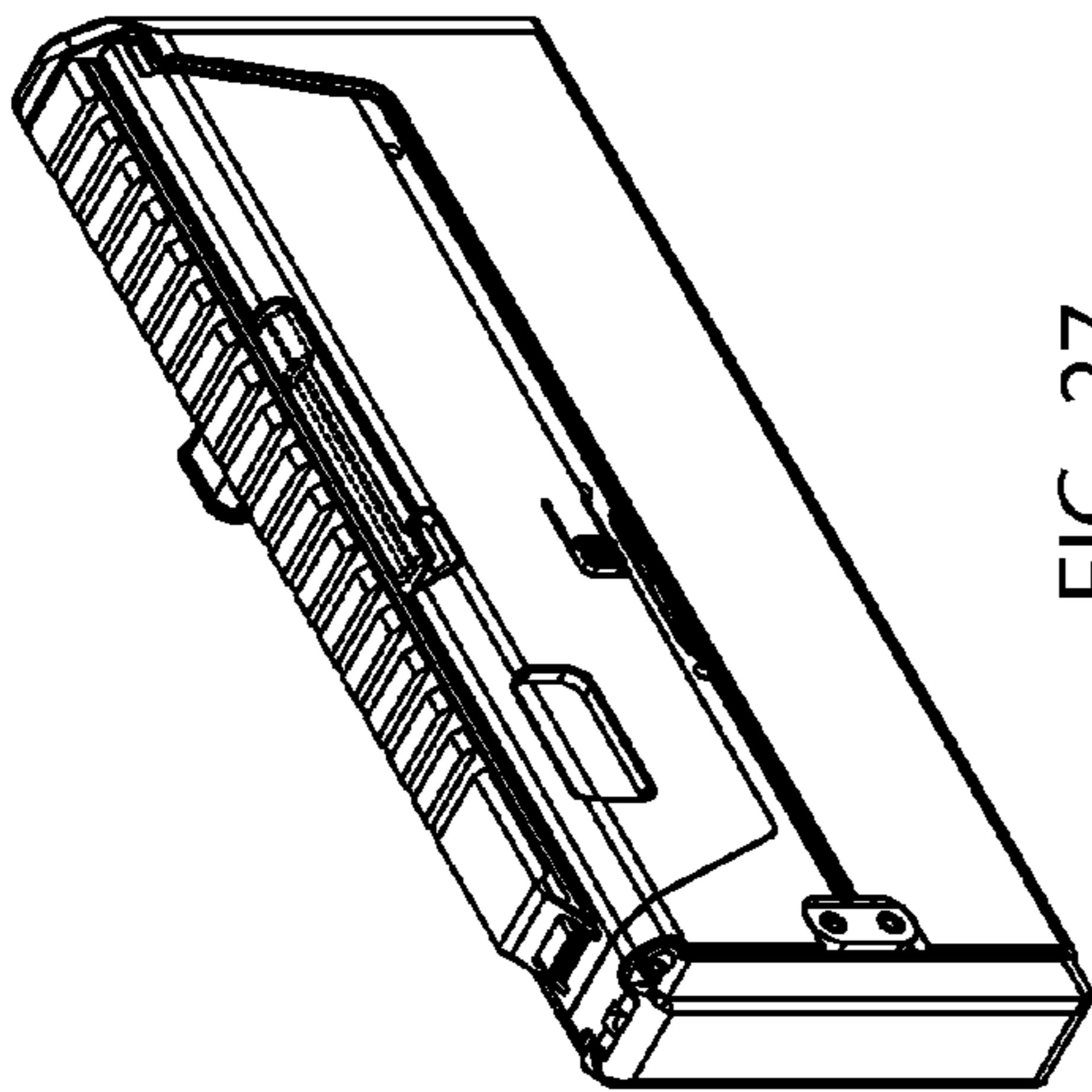


FIG. 27

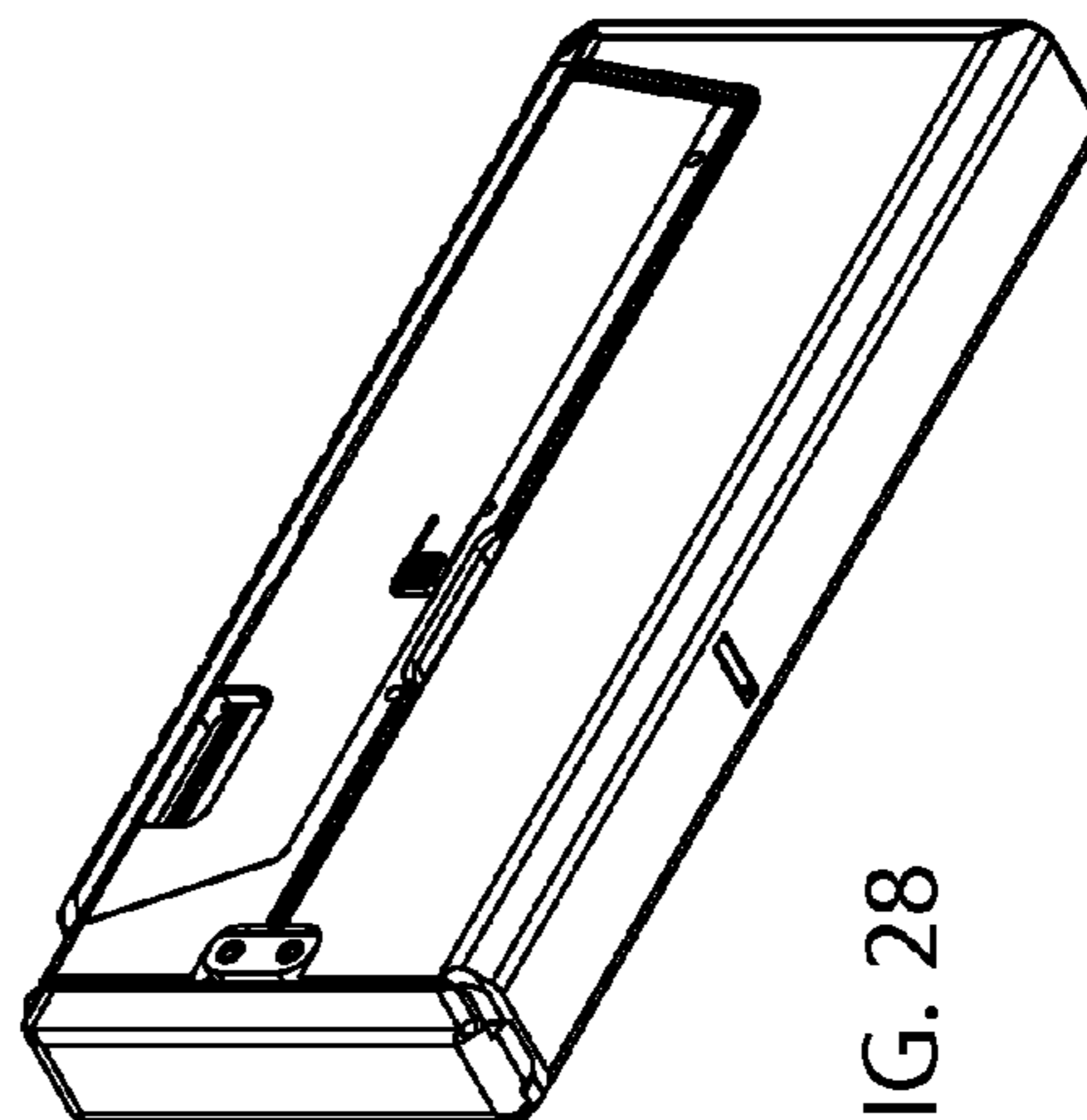


FIG. 28

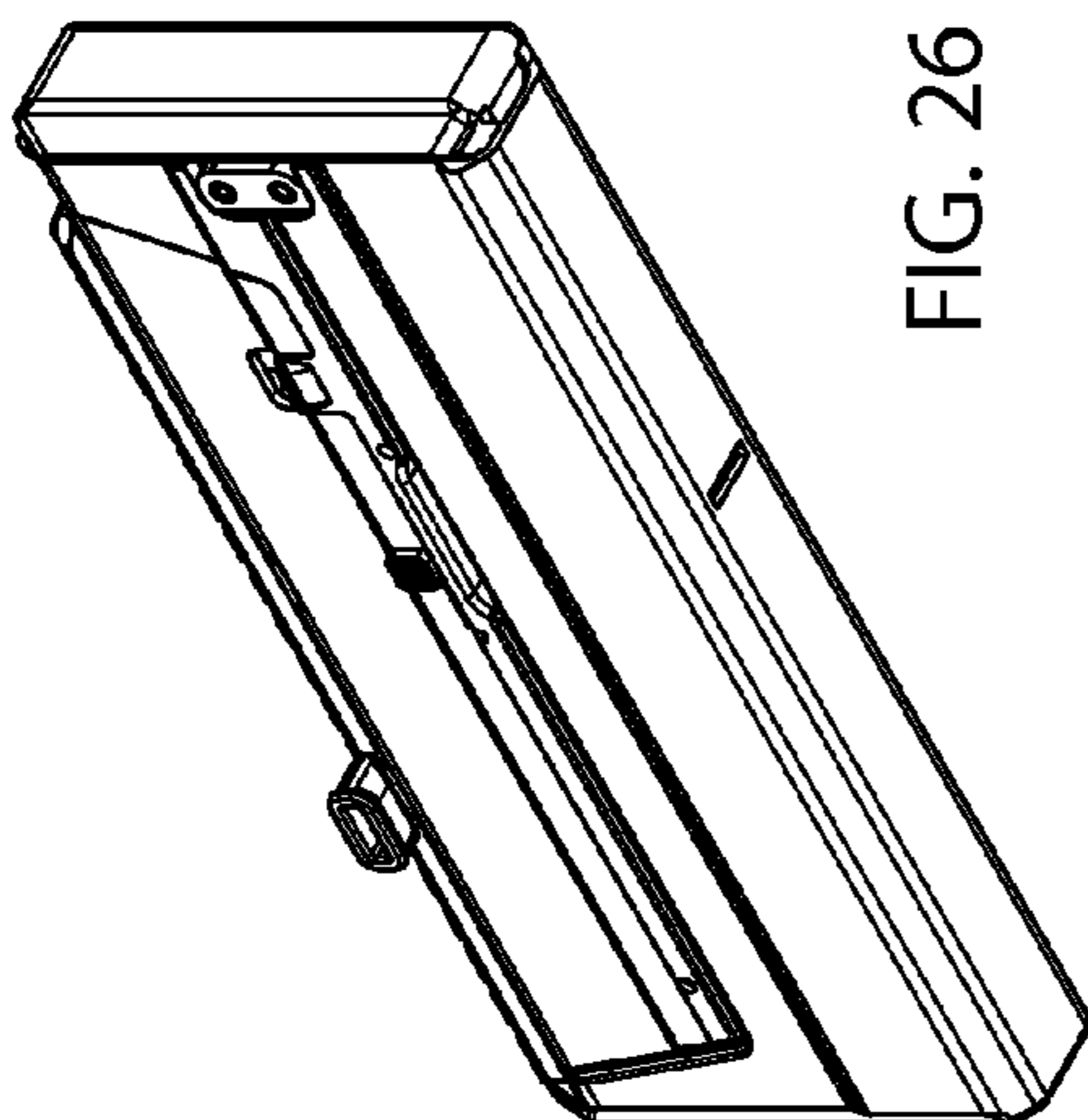


FIG. 26