



US00D622798S

(12) **United States Design Patent**
Oldknow et al.

(10) **Patent No.:** **US D622,798 S**
(45) **Date of Patent:** **** Aug. 31, 2010**

(54) **GOLF CLUB**

(75) Inventors: **Andrew G. V. Oldknow**, Beaverton, OR (US); **Jason Cardani**, Portland, OR (US)

(73) Assignee: **NIKE, Inc.**, Beaverton, OR (US)

(**) Term: **14 Years**

(21) Appl. No.: **29/358,676**

(22) Filed: **Mar. 30, 2010**

(51) **LOC (9) Cl.** **21-02**

(52) **U.S. Cl.** **D21/759**

(58) **Field of Classification Search** D21/747-751, D21/759; 473/324-331, 350

See application file for complete search history.

(56) **References Cited**

U.S. PATENT DOCUMENTS

3,955,820	A	5/1976	Cochran et al.	
3,995,865	A	12/1976	Cochran et al.	
5,014,993	A	5/1991	Antonious	
D329,266	S	9/1992	Antonious	
6,379,263	B2	4/2002	Erickson et al.	
6,595,870	B2	7/2003	Stites et al.	
D487,492	S	3/2004	Madore et al.	
D496,973	S *	10/2004	Wahl et al.	D21/749
D504,924	S	5/2005	Madore et al.	
6,887,164	B2	5/2005	Dewanjee et al.	
7,022,028	B2	4/2006	Nagai et al.	
D526,036	S *	8/2006	Nishitani	D21/747

(Continued)

OTHER PUBLICATIONS

Edwin Watts Golf Catalog, Late Summer 2002, p. 44, Published 2002.

Edwin Watts Golf Catalog, Late Spring 2004, p. 22, Published 2004.

Austad's Golf Catalog, Spring 2008, p. 2, Published 2008.

TaylorMade Tour Preferred Irons, <URL:http://www.edwinwattsgolf.com>, retrieved from internet Feb. 3, 2010.

Titleist API 710 Iron Sets, <URL:http://www.edwinwattsgolf.com>, retrieved from internet Feb. 3, 2010.

Turbo Power XPII Max Speed Iron Clubs (Compare to Nike SQ Machspeed), <URL: http://www.turbopowerusa.net/tupoxpmaxspi.html, retrieved from internet Mar. 30, 2010 (4 color sheets).

(Continued)

Primary Examiner—Mitchell I Siegel

(74) *Attorney, Agent, or Firm*—Banner & Witcoff, Ltd.

(57) **CLAIM**

The ornamental design for a golf club, as shown and described.

DESCRIPTION

FIG. 1 is a rear perspective view of a first embodiment of a golf club showing our new design;

FIG. 2 is a rear view thereof;

FIG. 3 is a heel-end view thereof;

FIG. 4 is a toe-end view thereof;

FIG. 5 is a bottom view thereof;

FIG. 6 is a rear perspective view of a second embodiment of a golf club showing our new design;

FIG. 7 is a rear view thereof;

FIG. 8 is a heel-end view thereof;

FIG. 9 is a toe-end view thereof;

FIG. 10 is a bottom view thereof;

FIG. 11 is a rear perspective view of a third embodiment of a golf club showing our new design;

FIG. 12 is a rear view thereof;

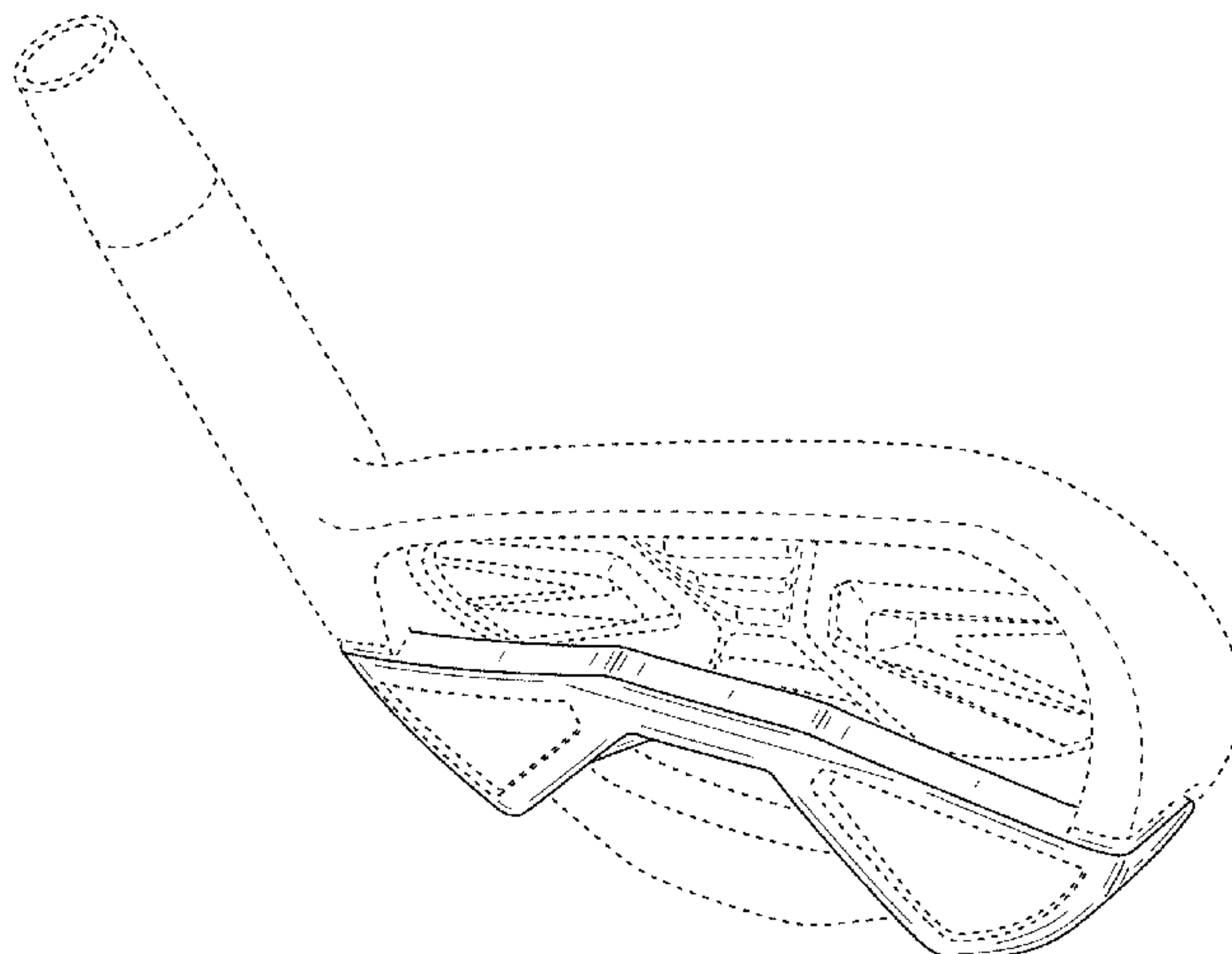
FIG. 13 is a heel-end view thereof;

FIG. 14 is a toe-end view thereof; and,

FIG. 15 is a bottom view thereof.

The broken line showing of the remainder of the golf club is for environmental purposes only and forms no part of the claimed design.

1 Claim, 6 Drawing Sheets



US D622,798 S

Page 2

U.S. PATENT DOCUMENTS

7,153,222	B2	12/2006	Gilbert et al.	
D539,863	S *	4/2007	Nunez et al.	D21/748
D549,295	S	8/2007	Nagai et al.	
D550,316	S	9/2007	Nagai et al.	
D553,699	S *	10/2007	Nunez et al.	D21/747
D553,704	S *	10/2007	Nunez et al.	D21/759
D554,217	S *	10/2007	Ruggiero et al.	D21/759
D562,423	S	2/2008	Foster et al.	
7,338,387	B2	3/2008	Nycum et al.	
D566,803	S *	4/2008	Foster et al.	D21/747
7,399,238	B2	7/2008	Hocknell et al.	
D585,951	S *	2/2009	Kohno	D21/759
D591,373	S *	4/2009	Foster et al.	D21/747
D591,819	S	5/2009	Bosilkovski et al.	
D596,684	S	7/2009	Sutovsky et al.	
D598,060	S *	8/2009	Barez et al.	D21/747
D598,968	S	8/2009	Wieland	
D600,765	S *	9/2009	Llewellyn et al.	D21/759
D600,766	S	9/2009	Llewellyn et al.	
D601,215	S	9/2009	Diaz et al.	
D601,651	S	10/2009	Jorgensen et al.	
D602,103	S	10/2009	Jorgensen et al.	
2007/0117653	A1	5/2007	Yoneyama	
2009/0239679	A1	9/2009	Stites et al.	

* cited by examiner

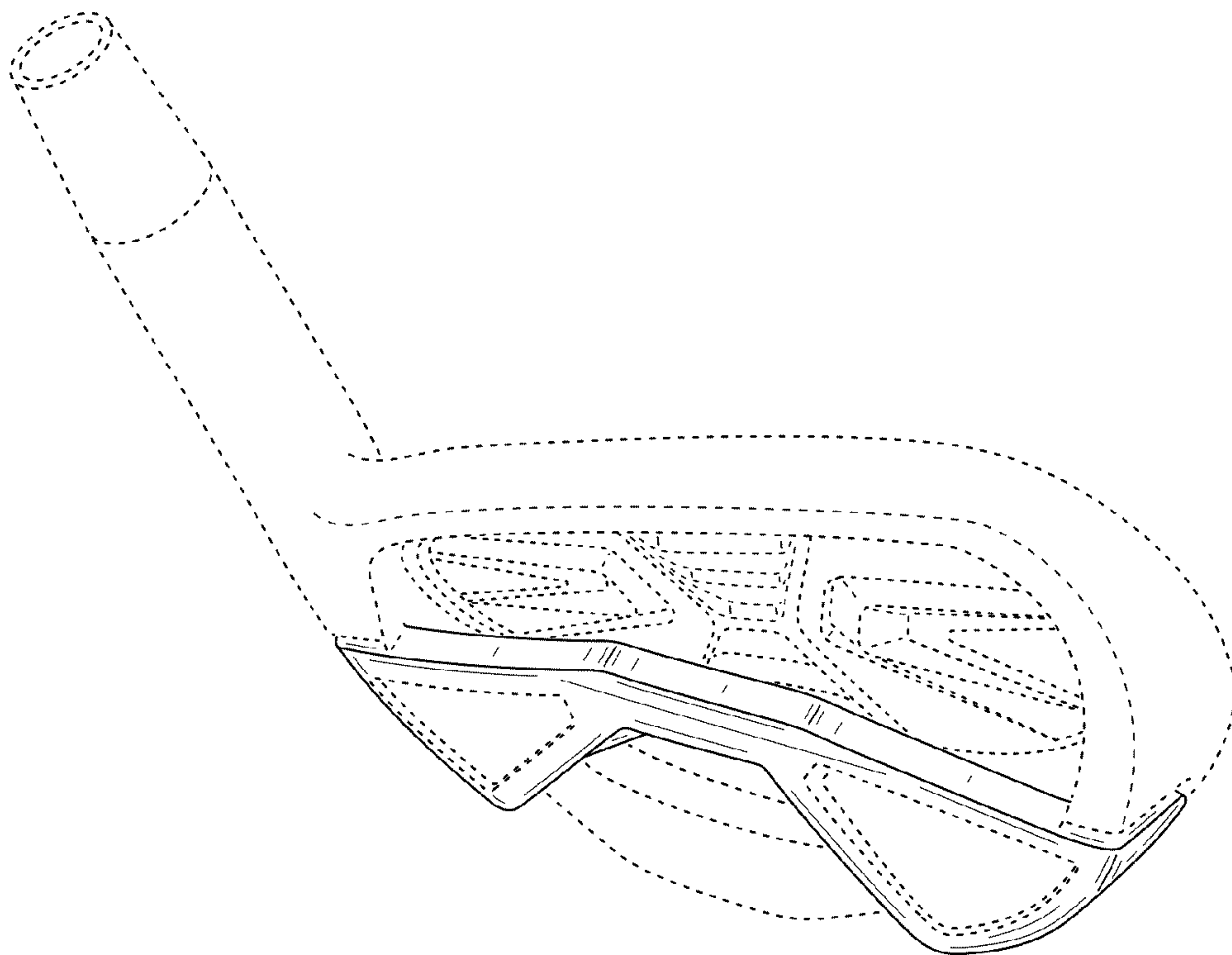


FIG. 1

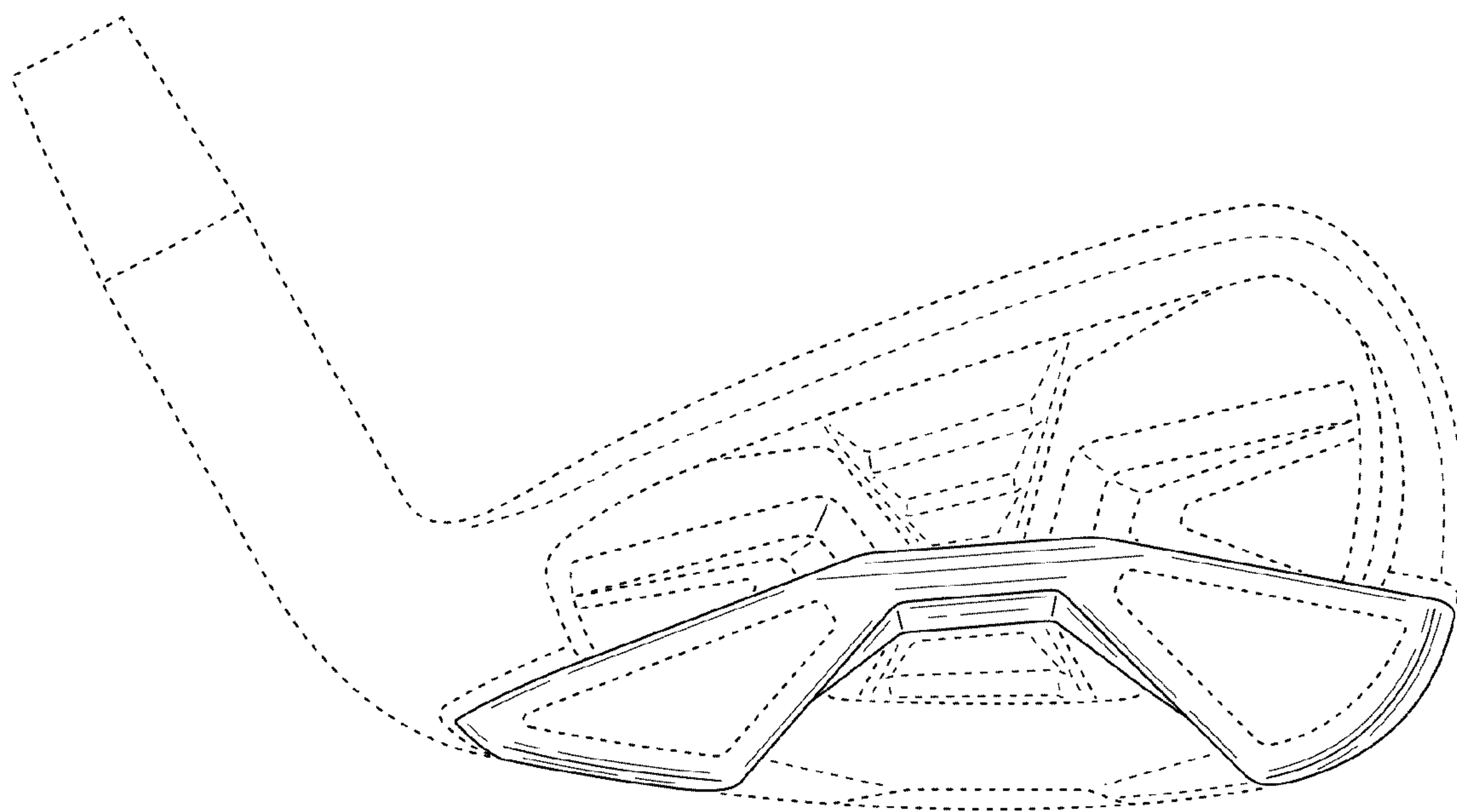


FIG. 2

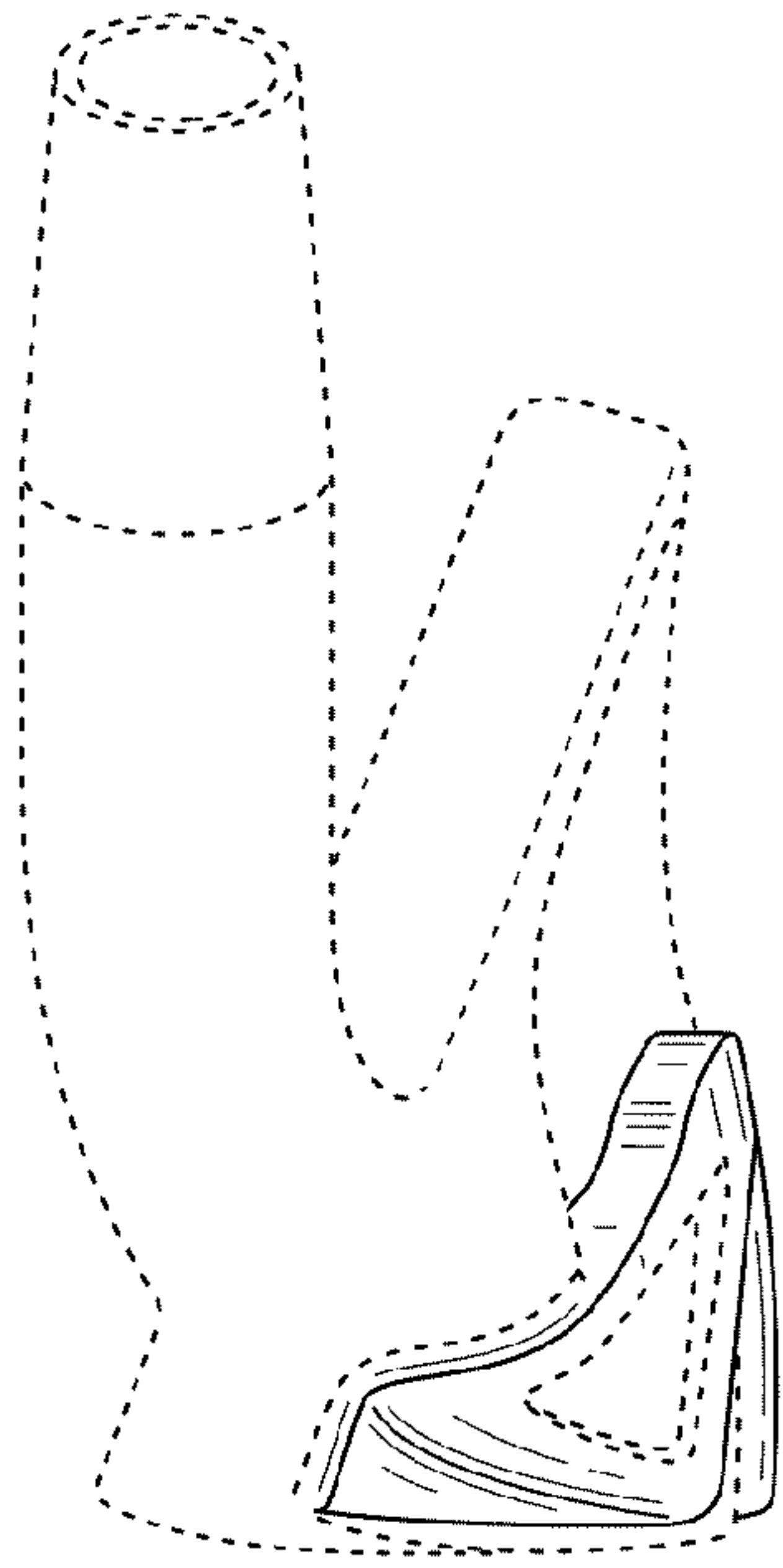


FIG. 3

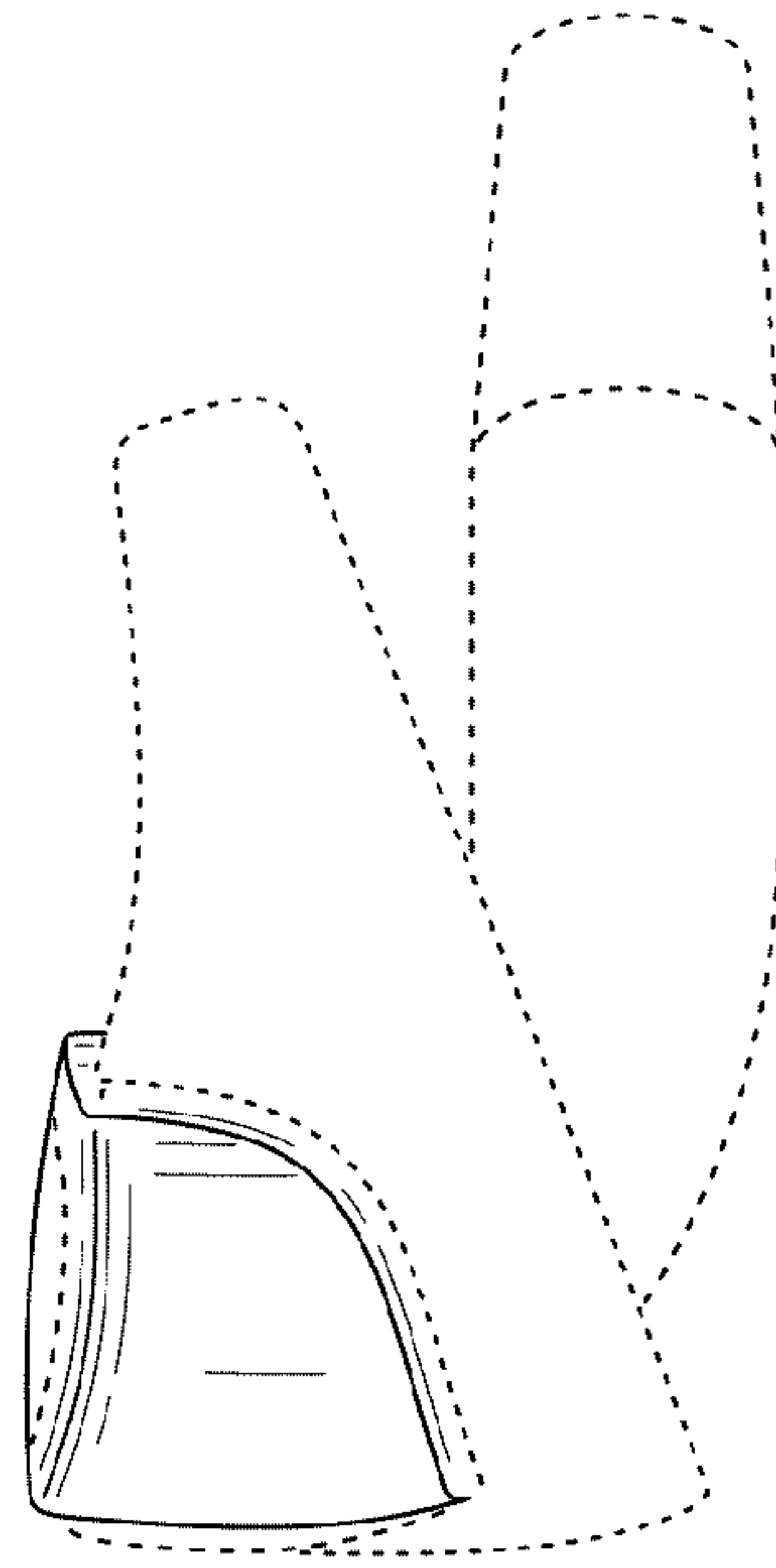


FIG. 4

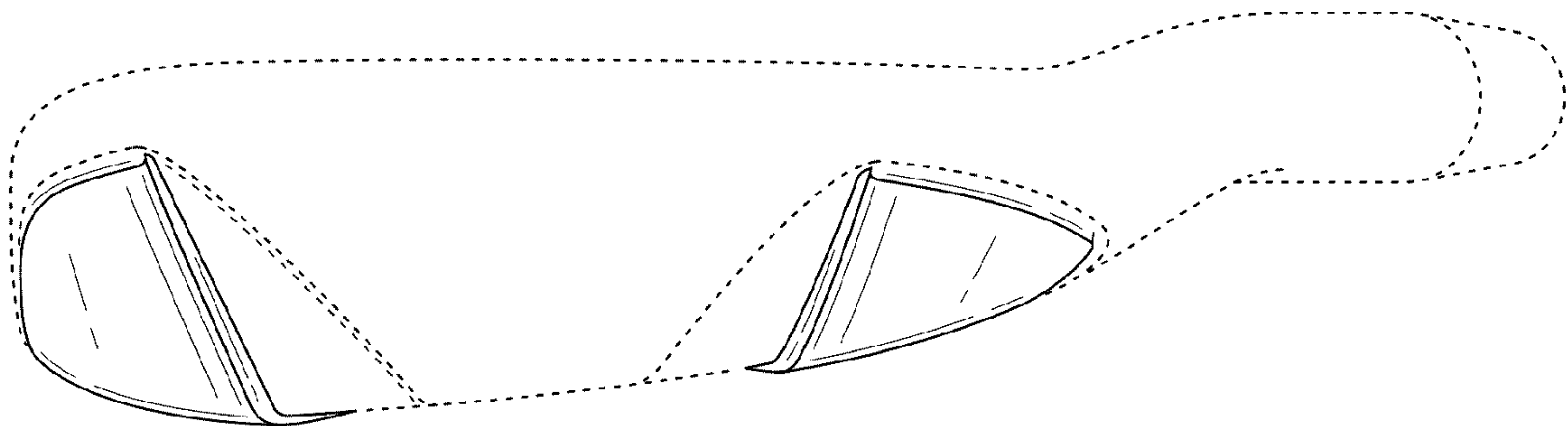


FIG. 5

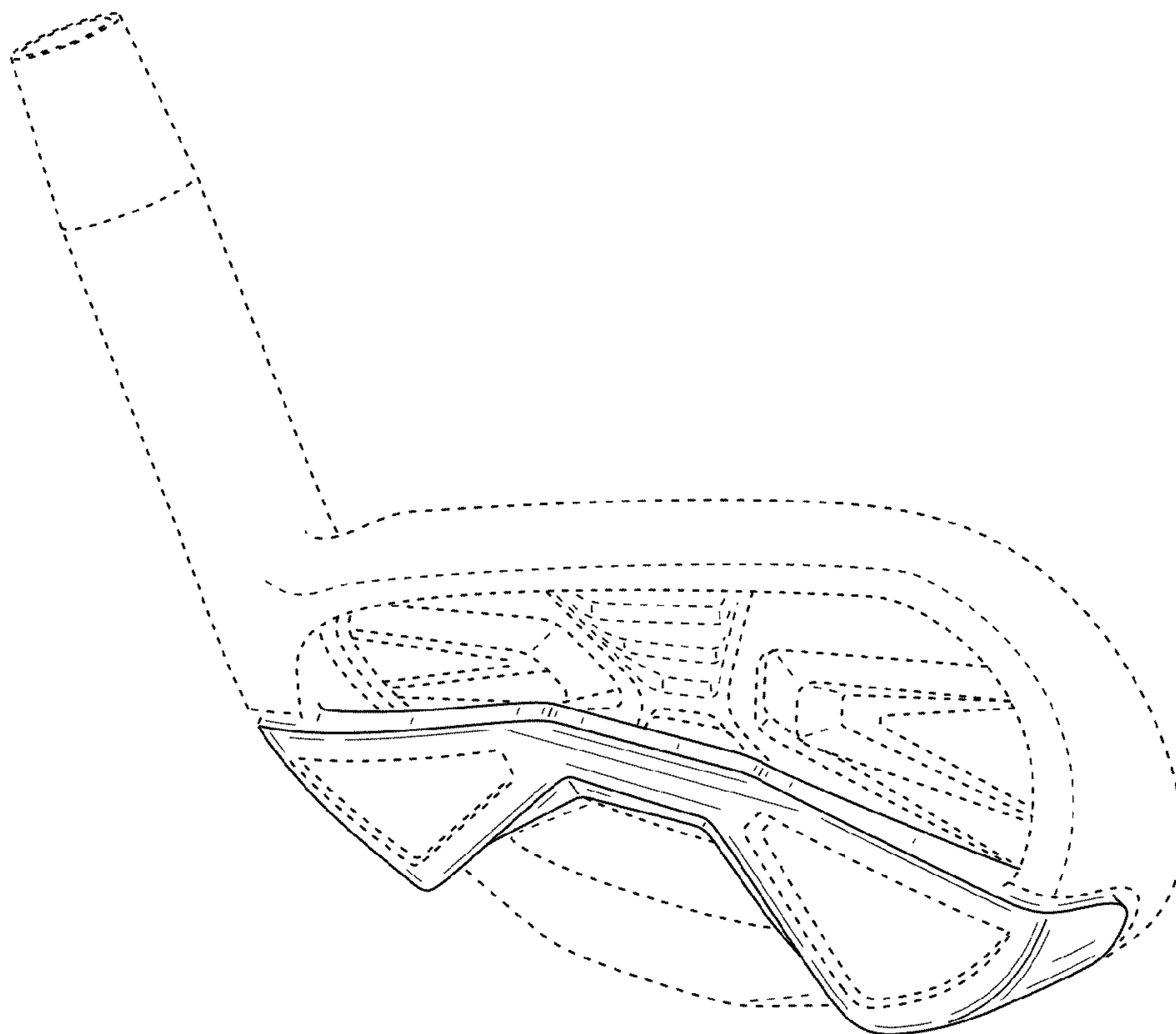


FIG. 6

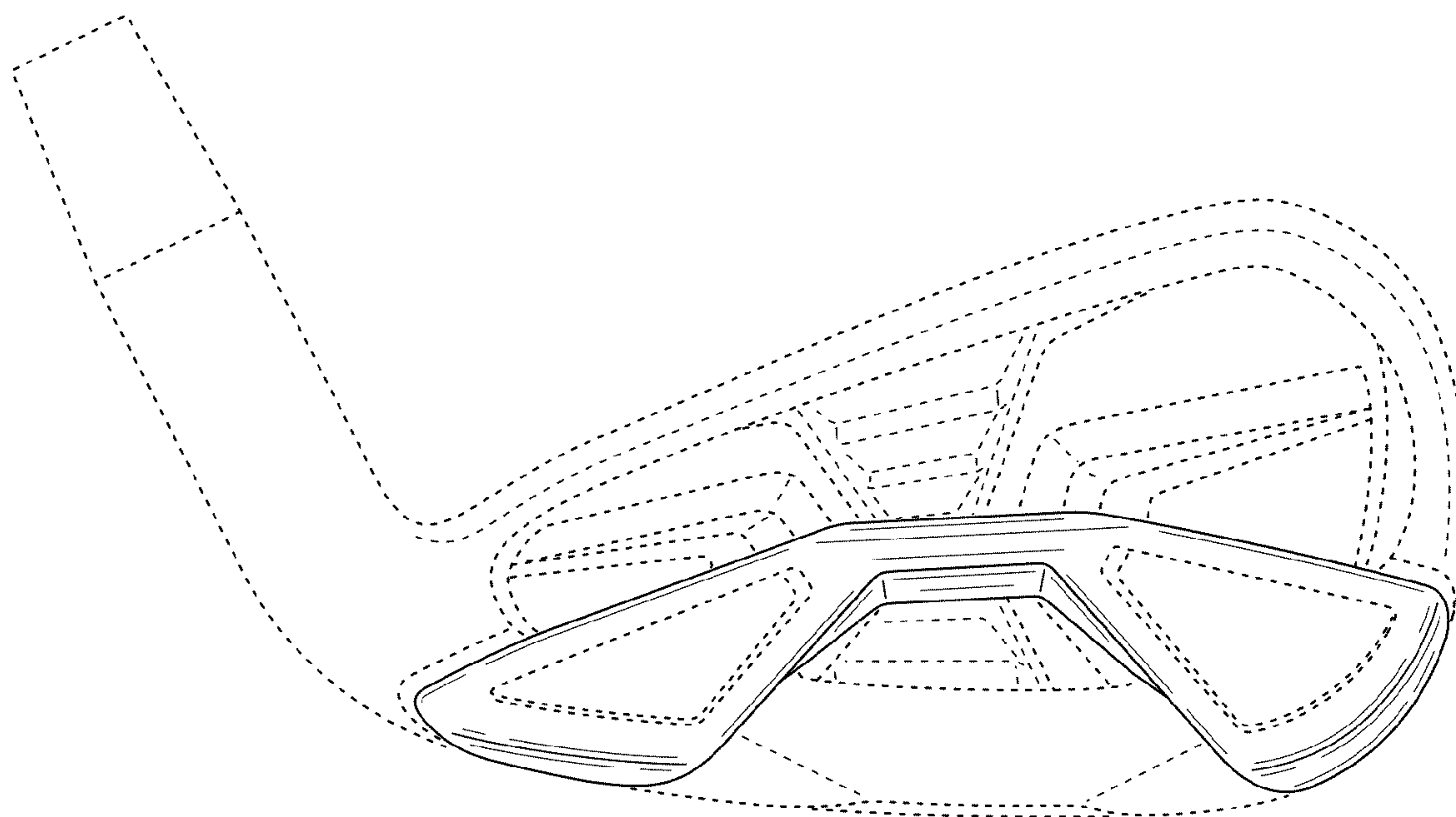


FIG. 7

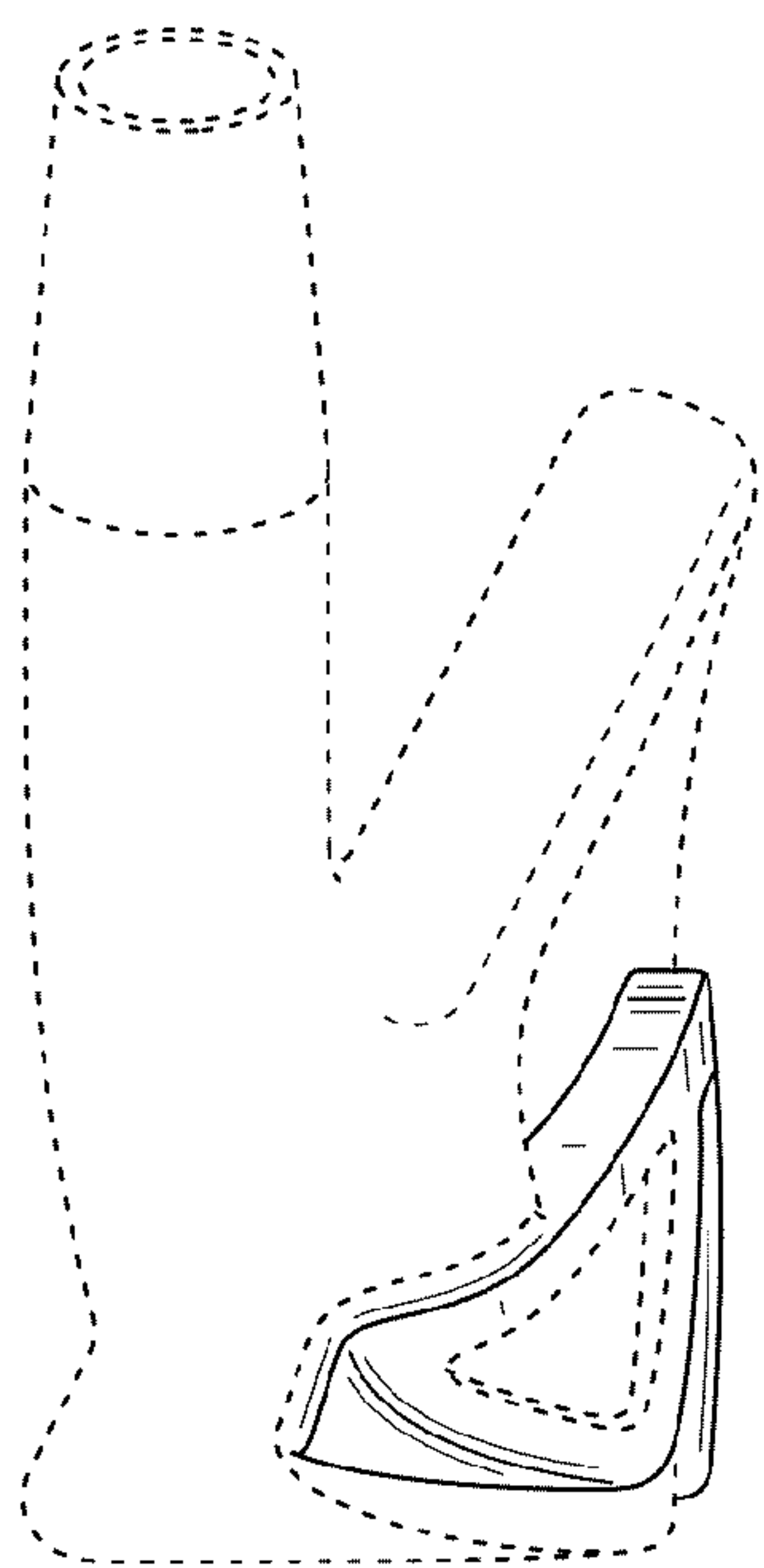


FIG. 8

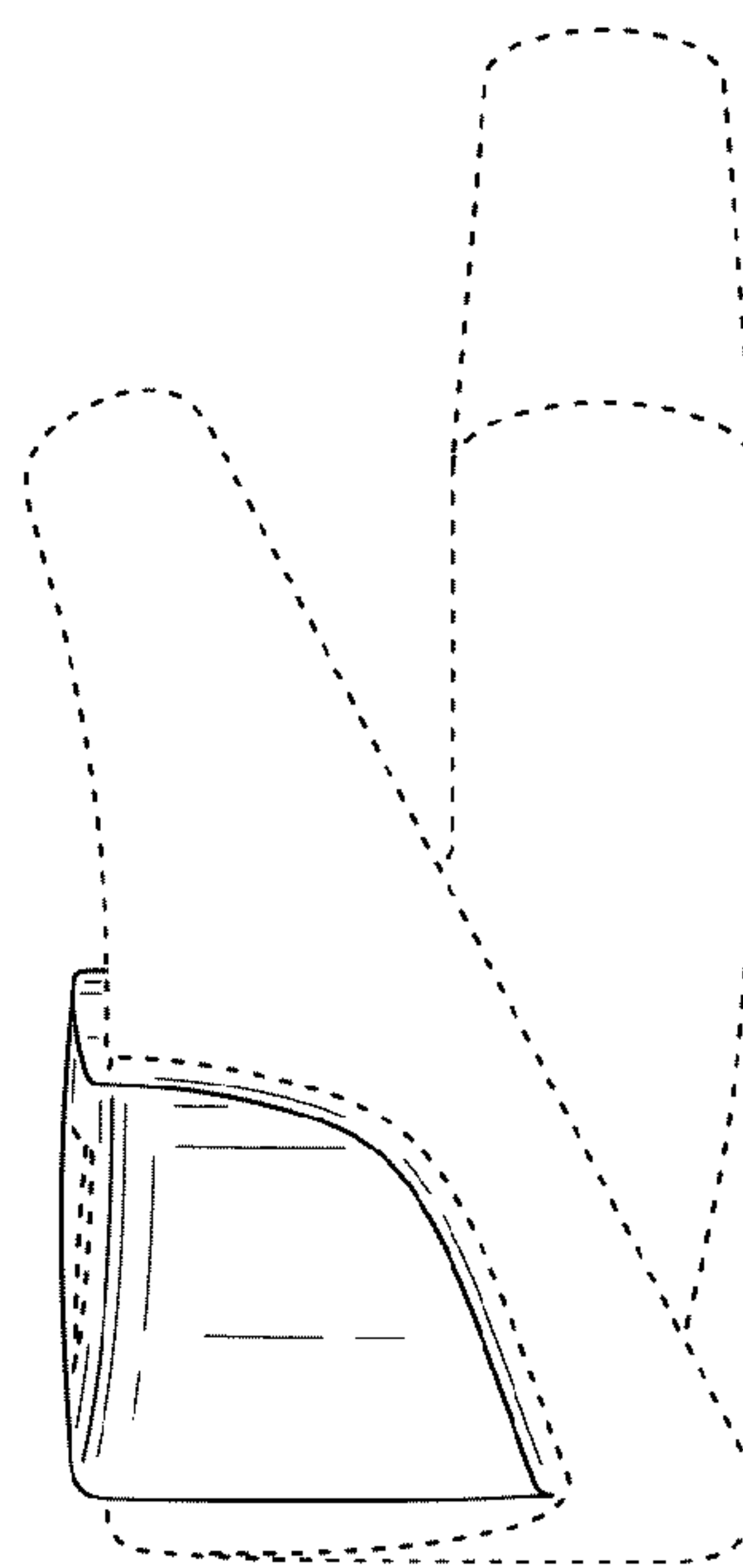


FIG. 9

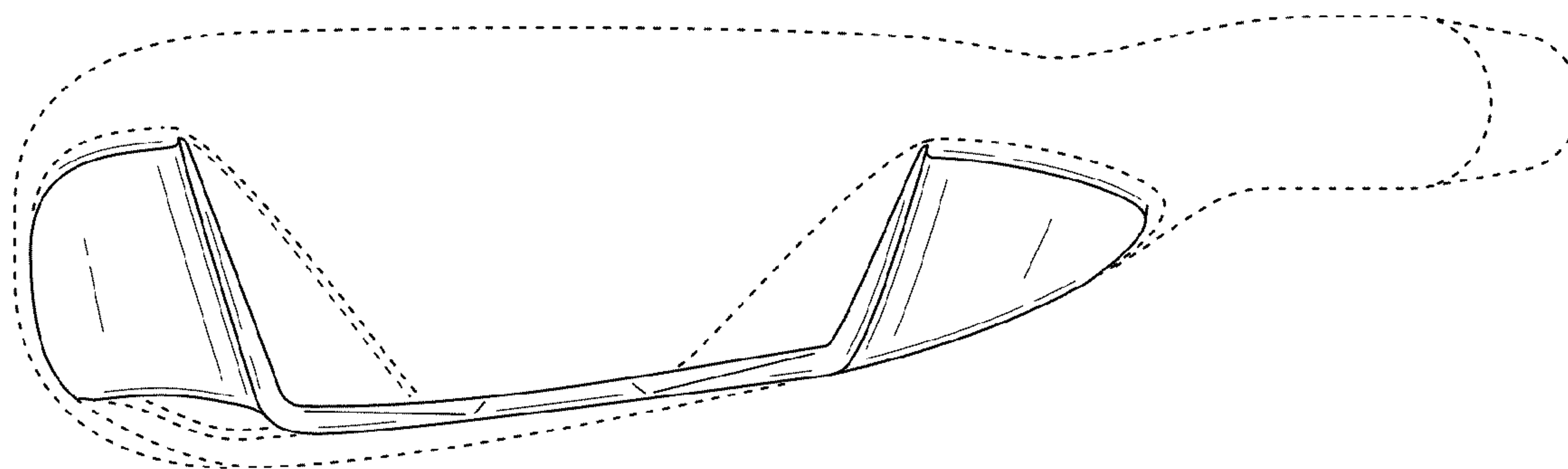


FIG. 10

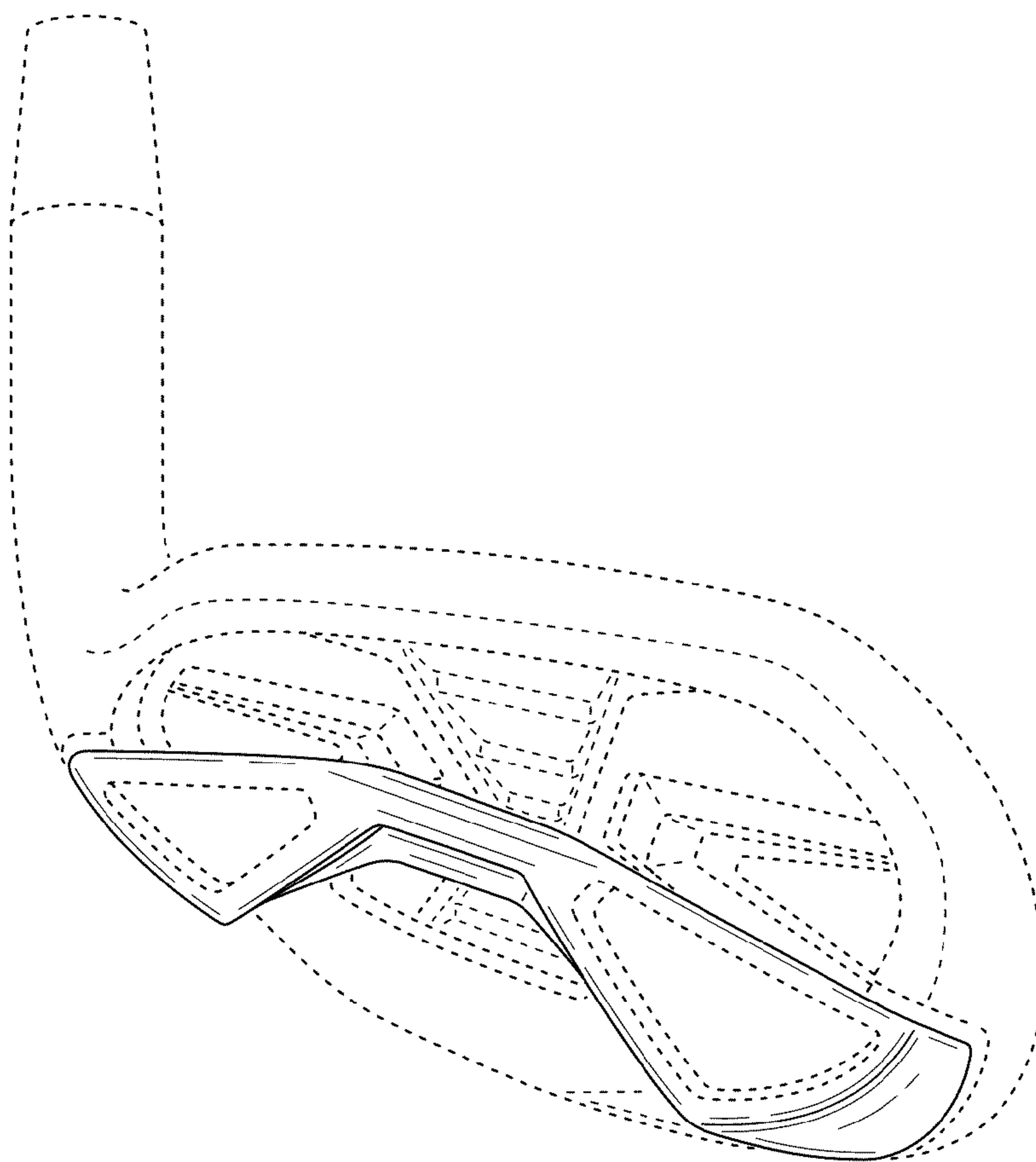


FIG. 11

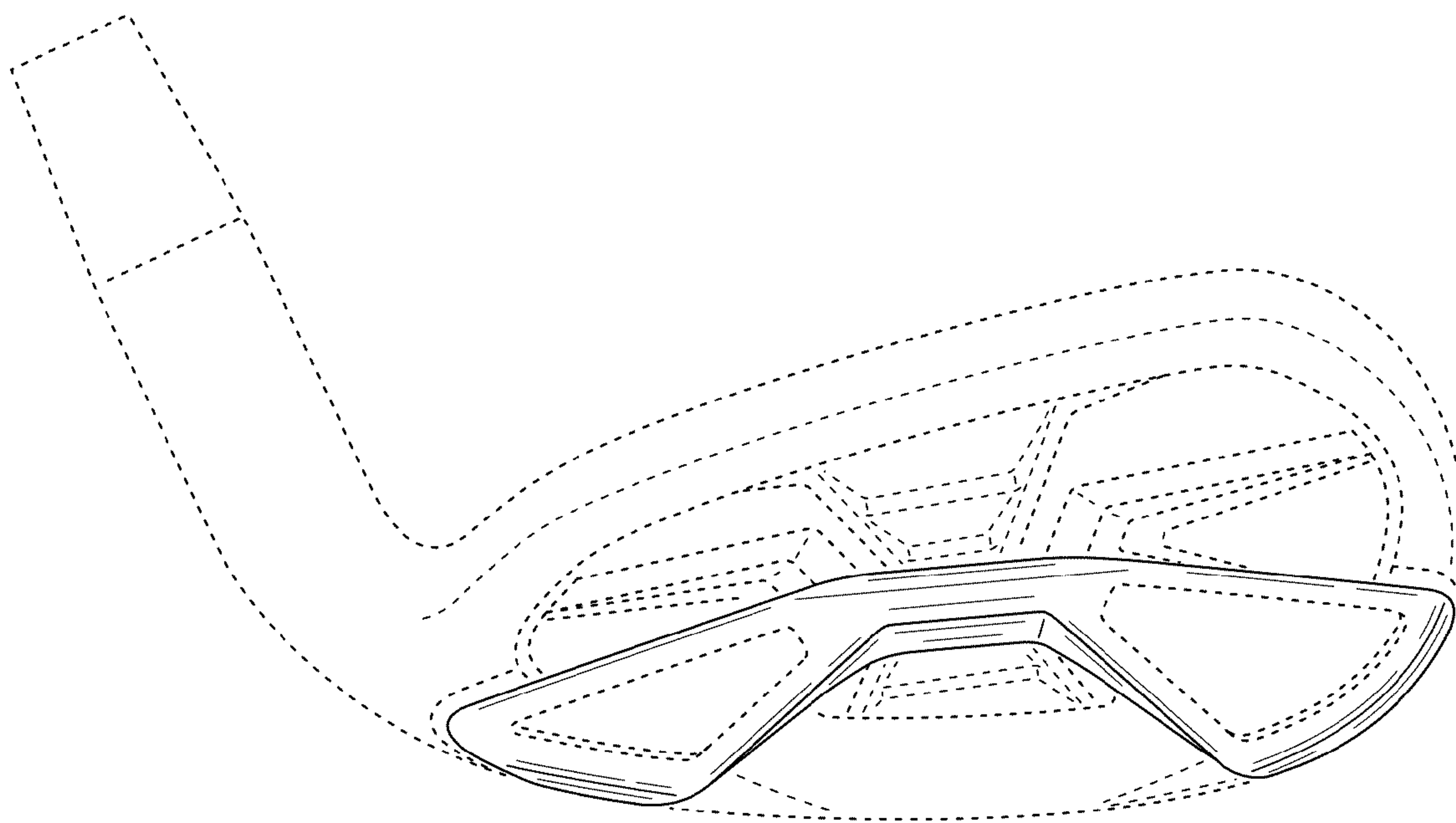


FIG. 12

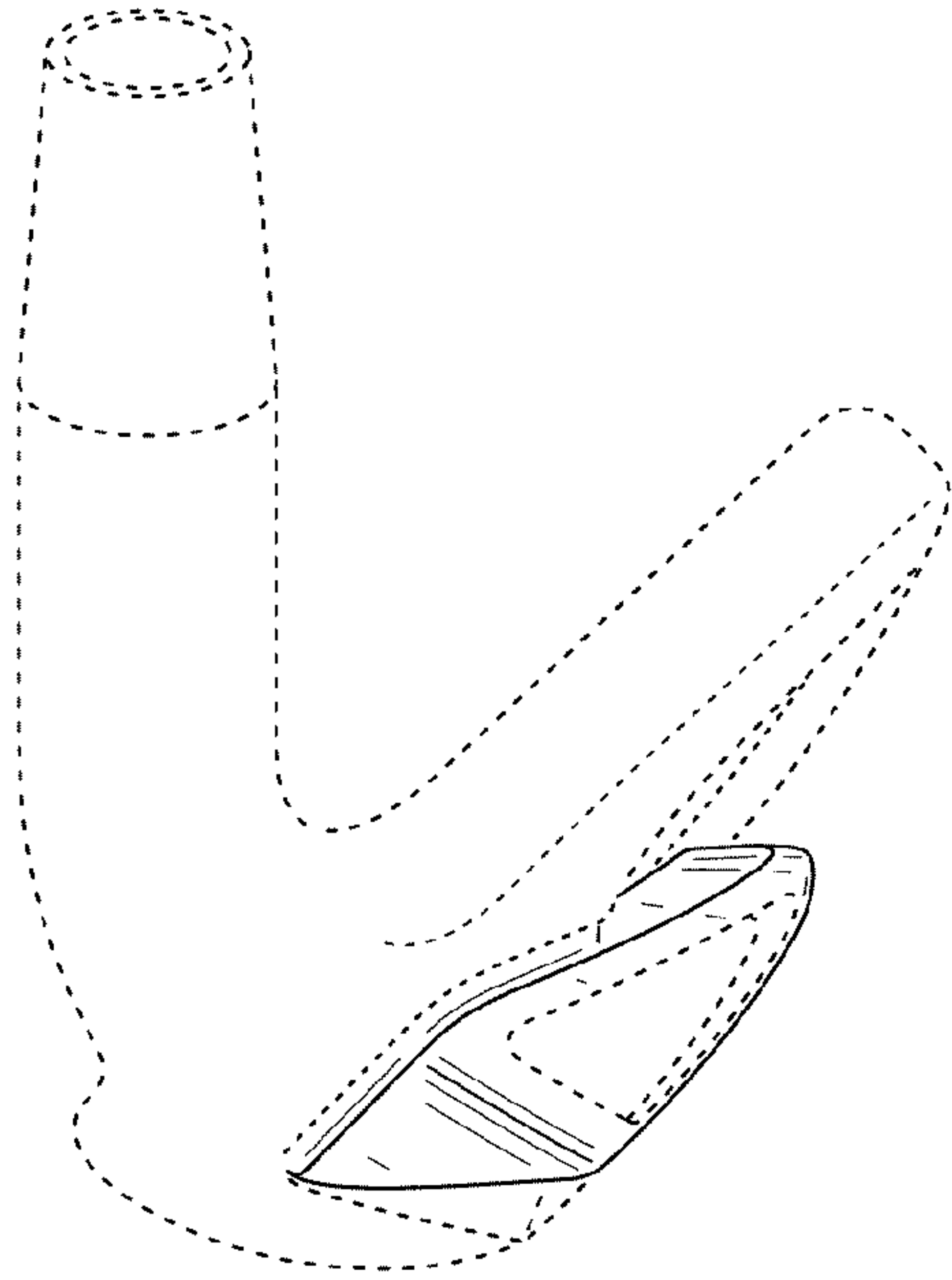


FIG. 13

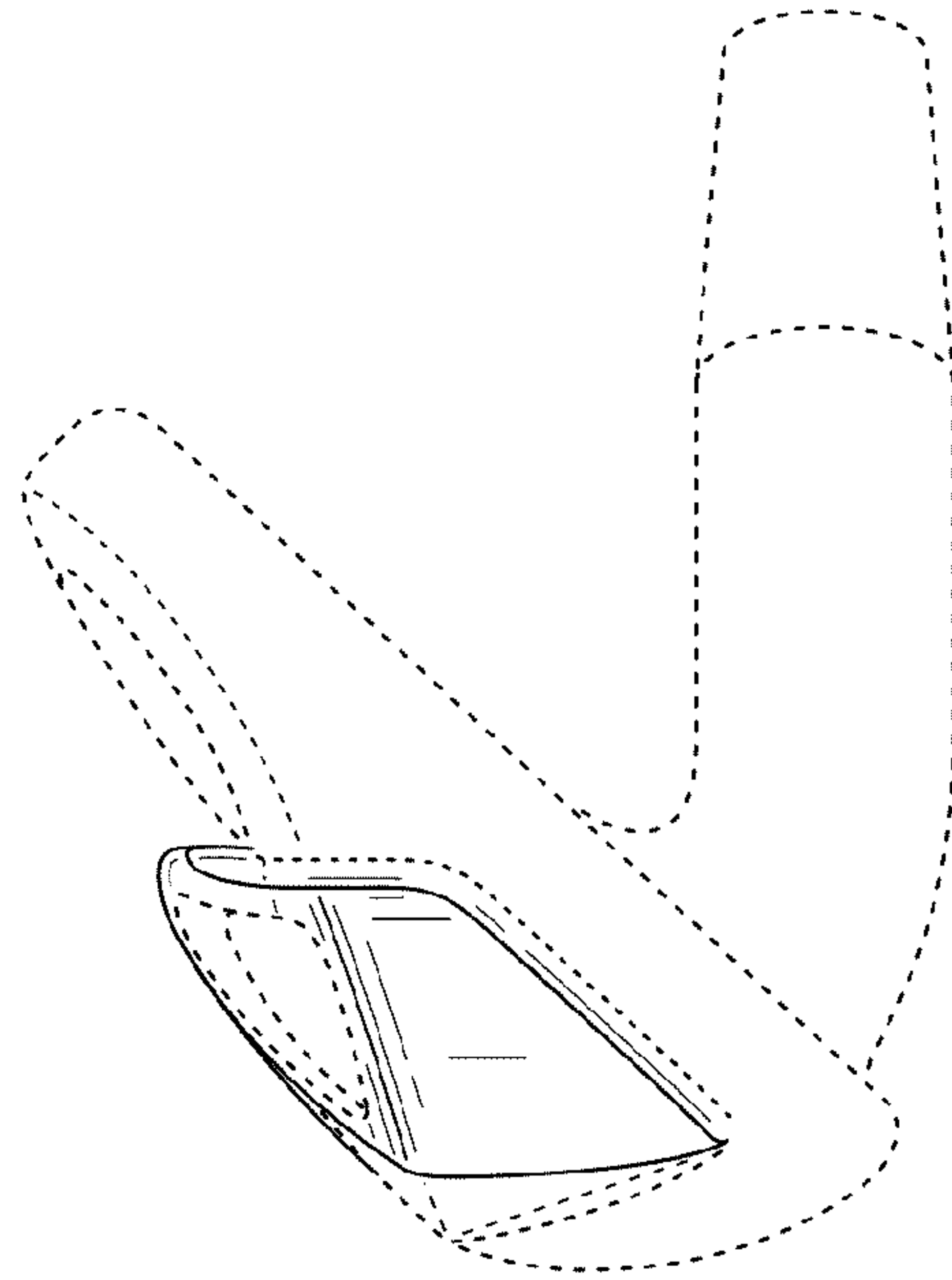


FIG. 14

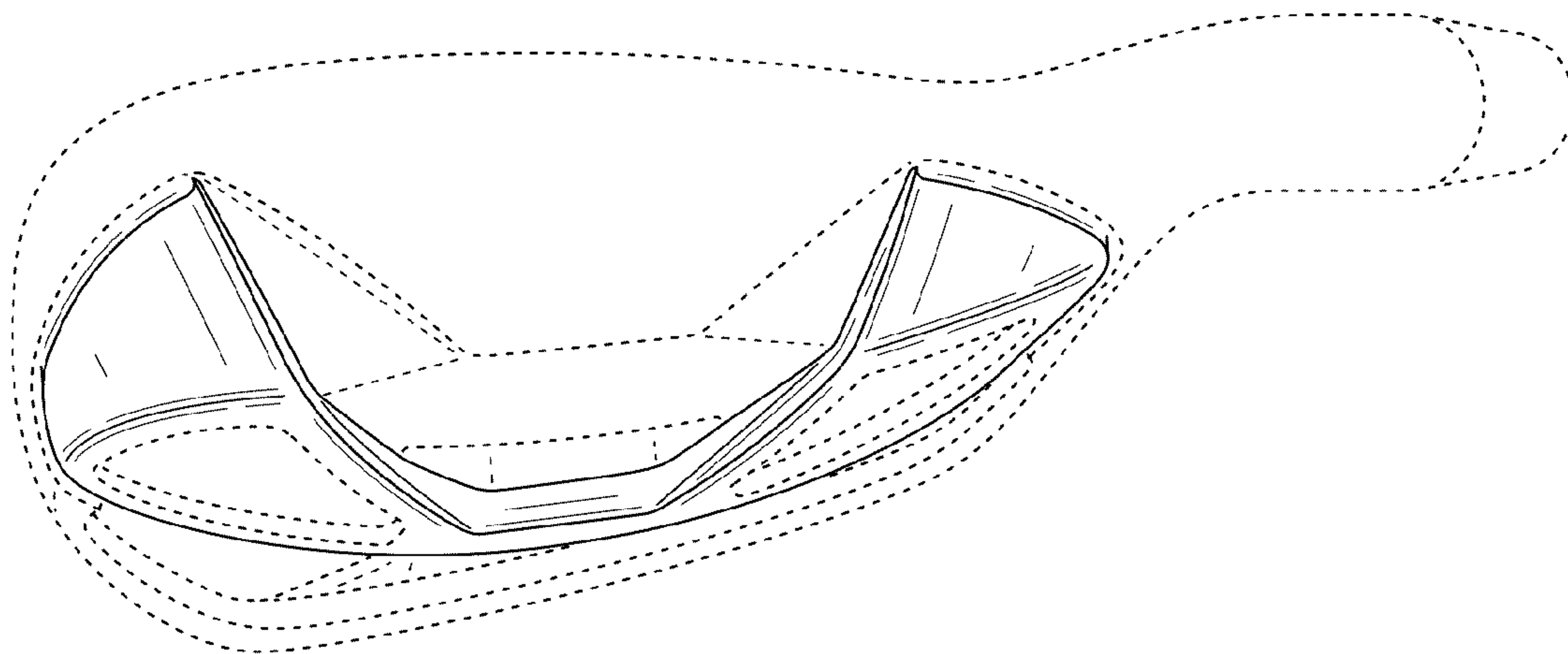


FIG. 15

UNITED STATES PATENT AND TRADEMARK OFFICE
CERTIFICATE OF CORRECTION

PATENT NO. : D622,798 S
APPLICATION NO. : 29/358676
DATED : August 31, 2010
INVENTOR(S) : Andrew G. V. Oldknow et al.

Page 1 of 1

It is certified that error appears in the above-identified patent and that said Letters Patent is hereby corrected as shown below:

Title Page 2, in the section entitled "U.S. Patent Documents,"

--2002/0082118 A1 6/2002 Iwata et al.-- has been added.

Signed and Sealed this
Nineteenth Day of February, 2013



Teresa Stanek Rea
Acting Director of the United States Patent and Trademark Office