



US00D622796S

(12) **United States Design Patent**  
**Kadoya**

(10) **Patent No.:** **US D622,796 S**  
(45) **Date of Patent:** **\*\* Aug. 31, 2010**

- (54) **HEAD FOR GOLF CLUB**
- (75) Inventor: **Mamiko Kadoya**, Kobe (JP)
- (73) Assignee: **SRI Sports Ltd.**, Kobe (JP)
- (\*\*) Term: **14 Years**
- (21) Appl. No.: **29/340,546**
- (22) Filed: **Jul. 21, 2009**

(30) **Foreign Application Priority Data**  
 Jan. 22, 2009 (JP) ..... D2009-001103

- (51) **LOC (9) Cl.** ..... **21-02**
- (52) **U.S. Cl.** ..... **D21/759**
- (58) **Field of Classification Search** ..... D21/747-751,  
 D21/759; 473/324-331, 350  
 See application file for complete search history.

(56) **References Cited**

**U.S. PATENT DOCUMENTS**

- D456,056 S \* 4/2002 Bakke ..... D21/747
- D490,490 S \* 5/2004 Gilbert et al. .... D21/759
- D549,791 S \* 8/2007 Morris et al. .... D21/748
- D573,679 S \* 7/2008 Kawami ..... D21/759
- D574,047 S \* 7/2008 Kawami ..... D21/759
- D591,373 S \* 4/2009 Foster et al. .... D21/747

D601,651 S \* 10/2009 Jorgensen et al. .... D21/759  
**FOREIGN PATENT DOCUMENTS**

JP D1319004 S 1/2008

**OTHER PUBLICATIONS**

“XXIO Forged Iron” Dunlop Golfing World, The Website of SRI Sports Limited, Dec. 2008.

\* cited by examiner

*Primary Examiner*—Mitchell I Siegel

(74) *Attorney, Agent, or Firm*—Birch, Stewart, Kolasch & Birch, LLP

(57) **CLAIM**

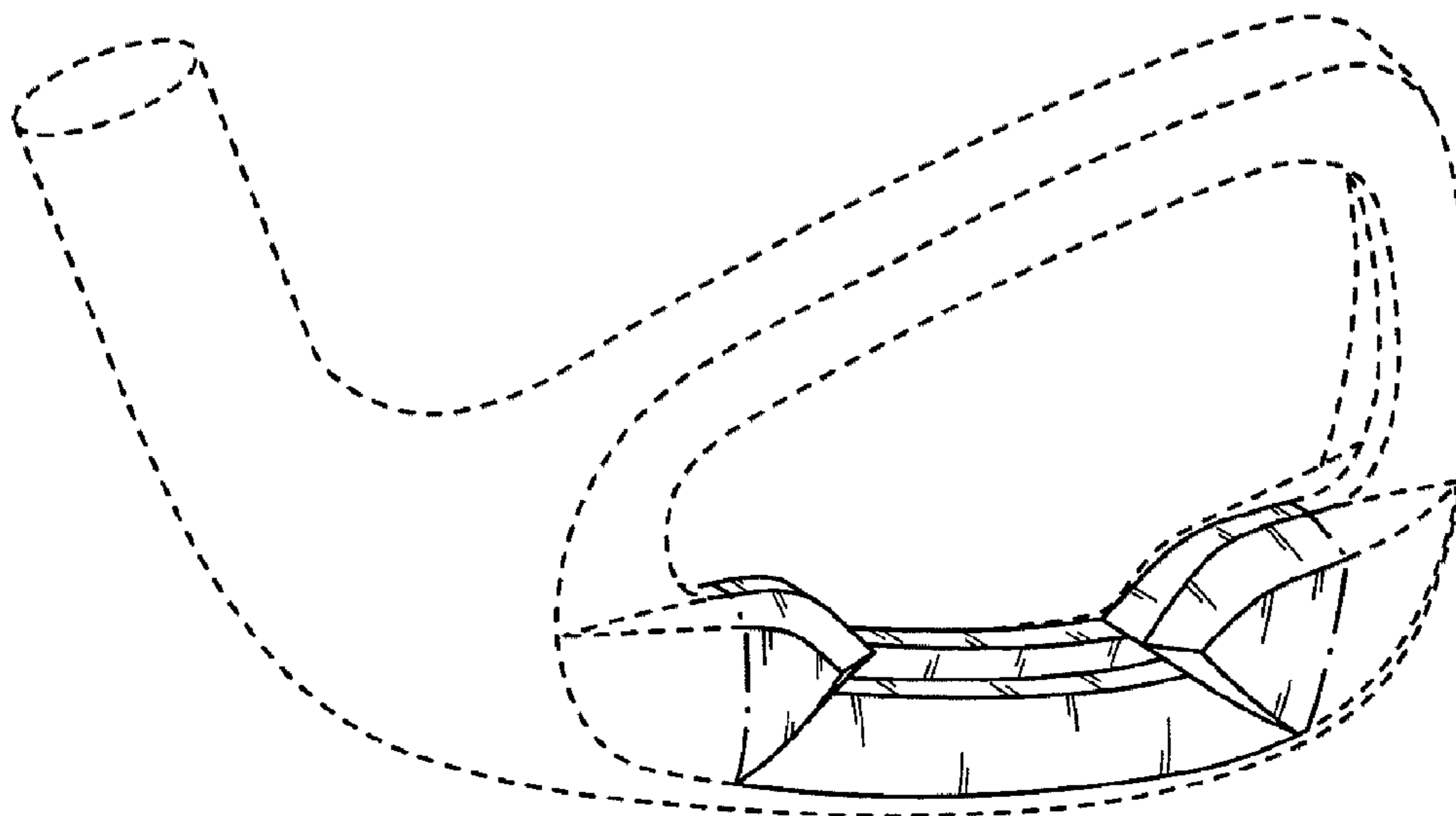
The ornamental design for a head for golf club, as shown and described.

**DESCRIPTION**

FIG. 1 is a perspective view of a head for golf club;  
 FIG. 2 is a front view thereof;  
 FIG. 3 is a left side view thereof; and,  
 FIG. 4 is a top view thereof.

The portion shown by broken lines is for illustrative purposes only and forms no part of the claimed design. The dashed lines show a borderline between the claimed design and other portion.

**1 Claim, 2 Drawing Sheets**



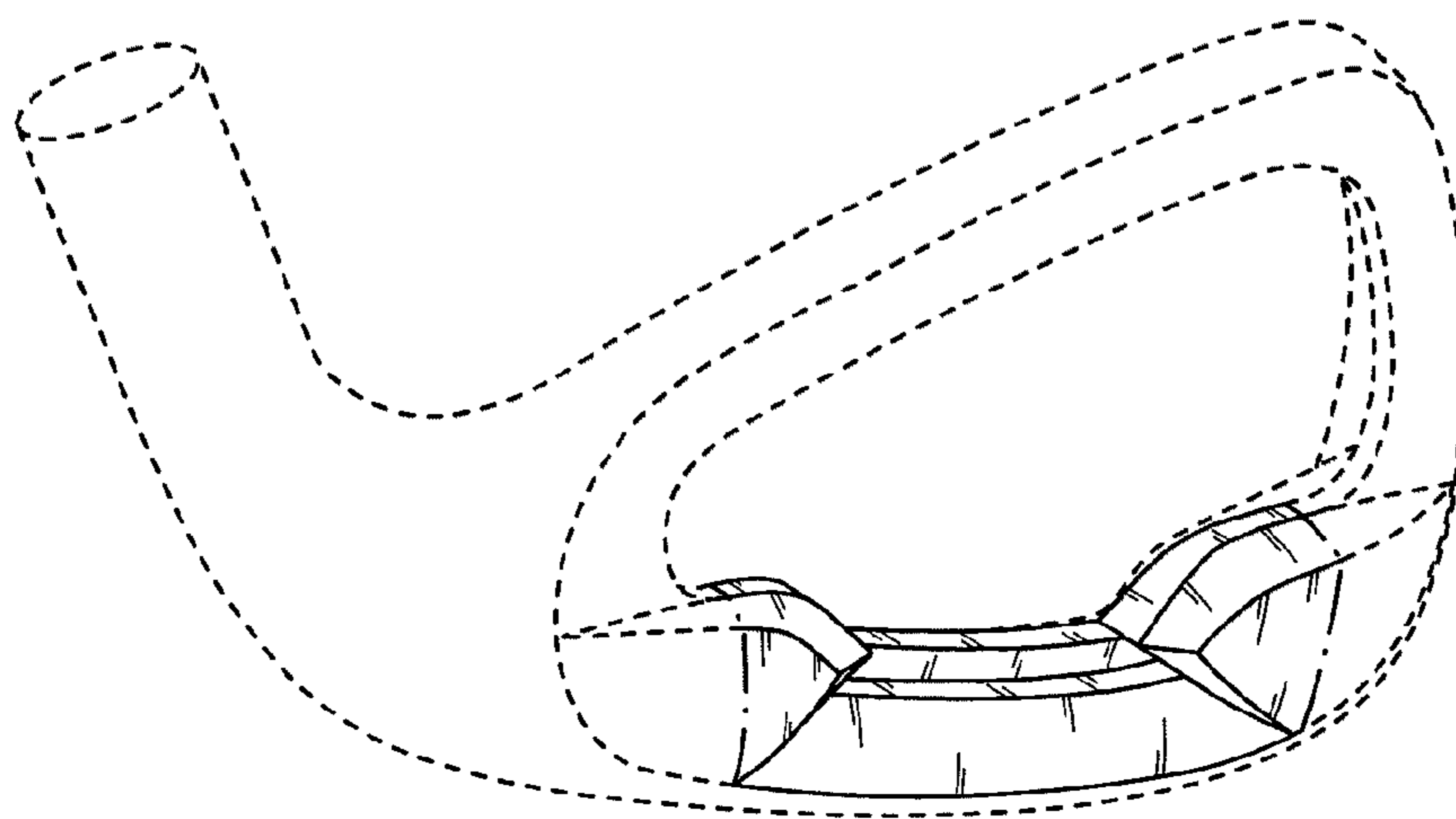


FIG.1

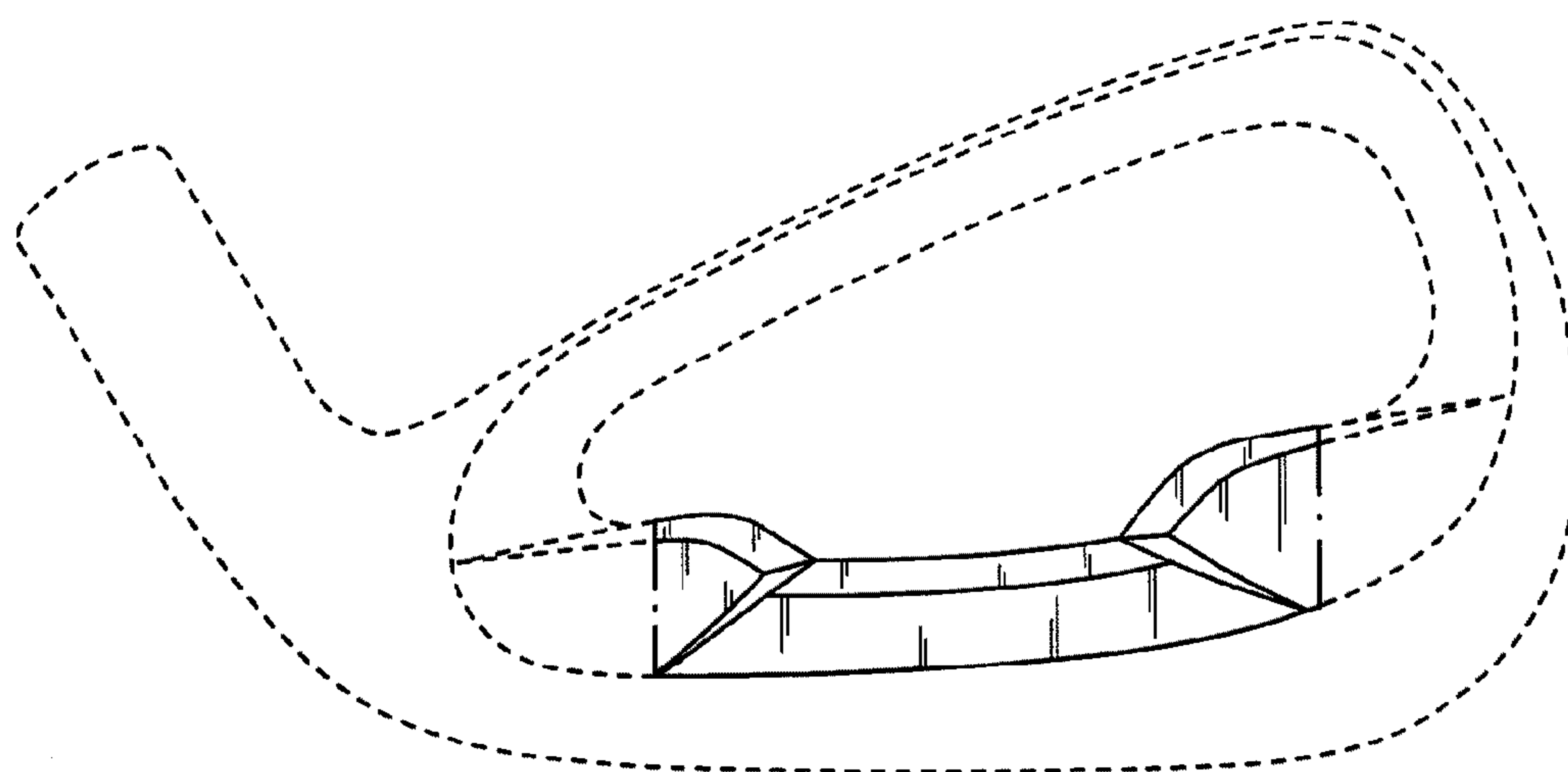


FIG.2

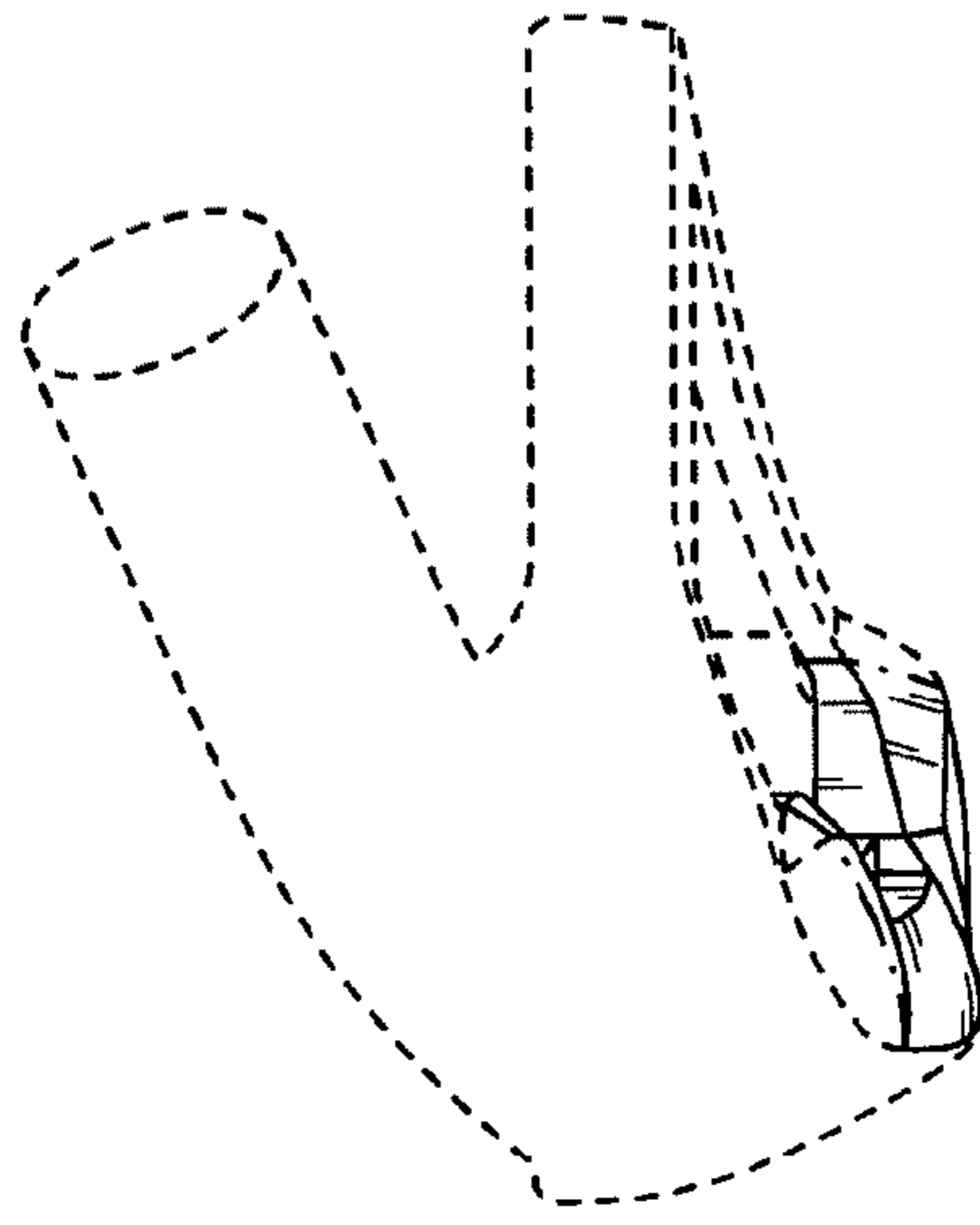


FIG.3

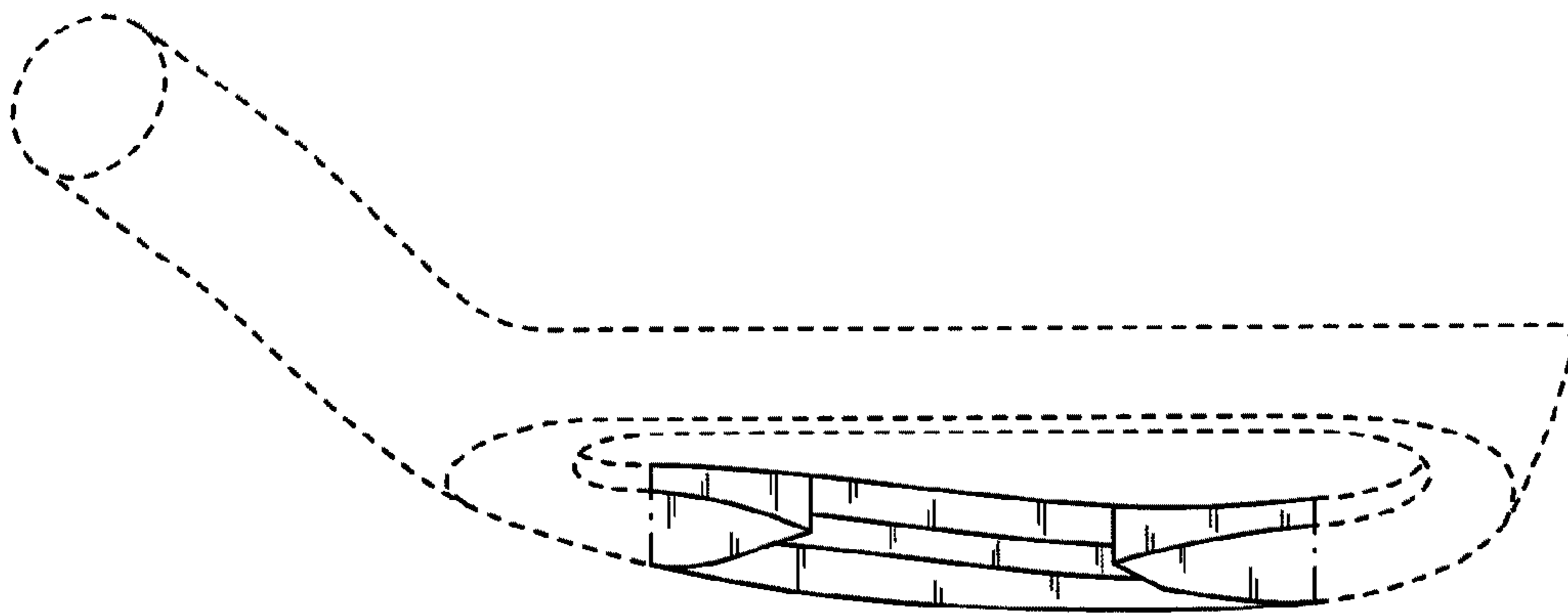


FIG.4