



US00D622793S

(12) **United States Design Patent**  
**Severa et al.**

(10) **Patent No.:** **US D622,793 S**

(45) **Date of Patent:** **\*\* Aug. 31, 2010**

(54) **SPORTS RACQUET**

(75) Inventors: **William D. Severa**, Darien, IL (US);  
**Donald G. Loeffler**, Gilberts, IL (US);  
**Ronald R. Rocchi**, Naperville, IL (US);  
**Tong Jin Kim**, Evanston, IL (US); **Ravi**  
**Itiravivong**, Chicago, IL (US)

(73) Assignee: **Wilson Sporting Goods Co.**, Chicago,  
IL (US)

(\*\*) Term: **14 Years**

(21) Appl. No.: **29/341,720**

(22) Filed: **Aug. 11, 2009**

(51) **LOC (9) Cl.** ..... **21-02**

(52) **U.S. Cl.** ..... **D21/730**

(58) **Field of Classification Search** ..... D21/729–731;  
473/524–557

See application file for complete search history.

(56) **References Cited**

**U.S. PATENT DOCUMENTS**

D330,925 S *	11/1992	Janes	.....	D21/730
D354,323 S *	1/1995	Chuang	.....	D21/730
D460,135 S *	7/2002	Lammer	.....	D21/730
6,500,080 B2 *	12/2002	Severa et al.	.....	473/521
D468,380 S *	1/2003	Lammer	.....	D21/730
D469,487 S *	1/2003	Severa et al.	.....	D21/729

D469,488 S *	1/2003	Severa et al.	.....	D21/729
D503,442 S *	3/2005	Severa et al.	.....	D21/730
D554,211 S *	10/2007	Severa et al.	.....	D21/730
7,297,080 B2 *	11/2007	Severa et al.	.....	473/536
D565,675 S *	4/2008	Severa et al.	.....	D21/730
7,371,198 B2 *	5/2008	Pai	.....	473/546
D596,682 S *	7/2009	Severa et al.	.....	D21/730

\* cited by examiner

*Primary Examiner*—Mitchell I Siegel

(74) *Attorney, Agent, or Firm*—Terence P. O'Brien

(57) **CLAIM**

We claim the ornamental design for a sports racquet, as shown and described.

**DESCRIPTION**

FIG. 1 is a front side perspective view of a sports racquet;

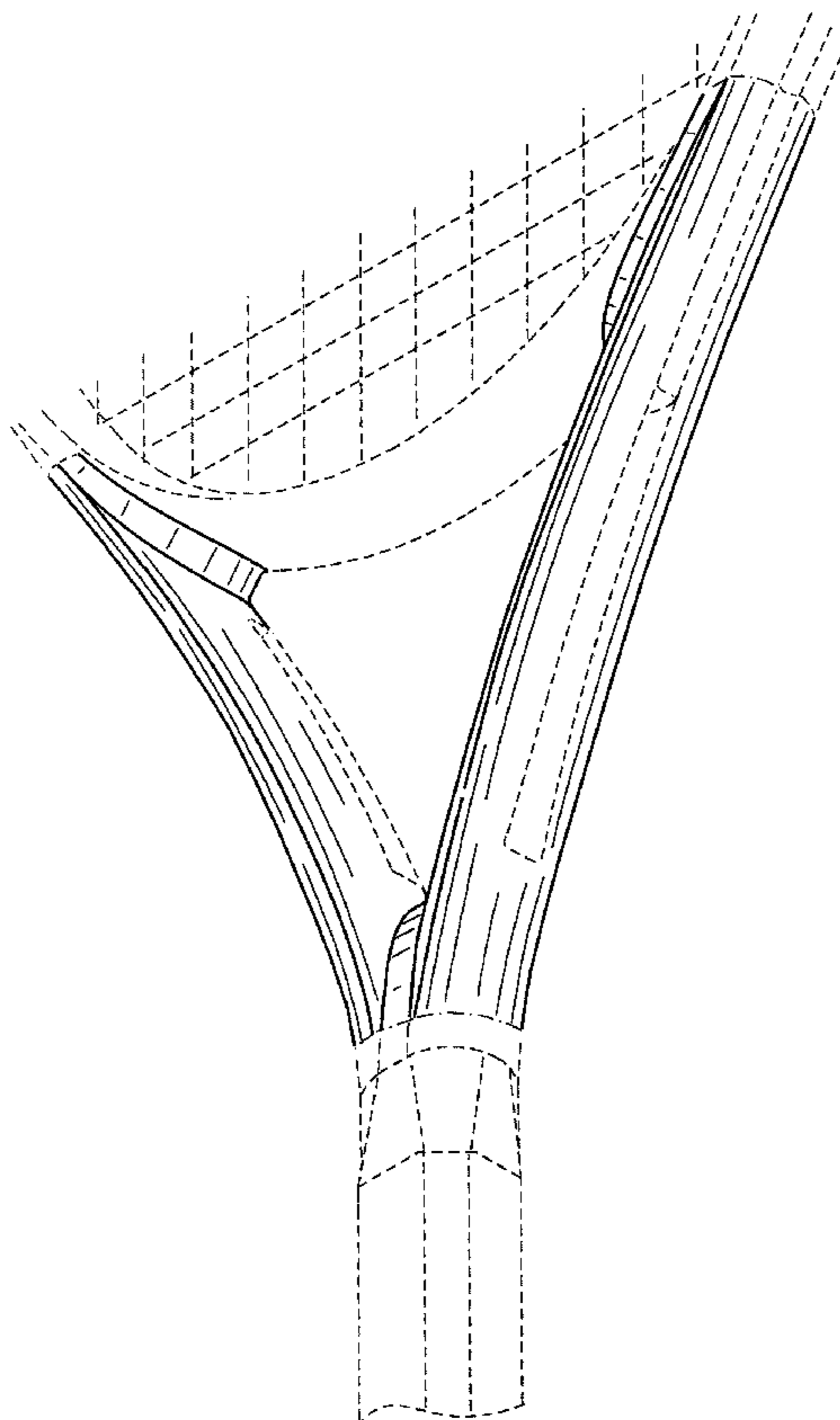
FIG. 2 is an enlarged front side perspective view of the sports racquet of FIG. 1;

FIG. 3 is a front view of the sports racquet of FIG. 1; and,

FIG. 4 is a cross sectional view of the sports racquet taken along line 4—4 of FIG. 3.

The ornamental design that is claimed is shown in solid lines in the drawings. The broken (dashed) lines shown in FIGS. 1 through 4 are included for the purpose of illustrating environmental elements only and form no part of the claimed design.

**1 Claim, 3 Drawing Sheets**



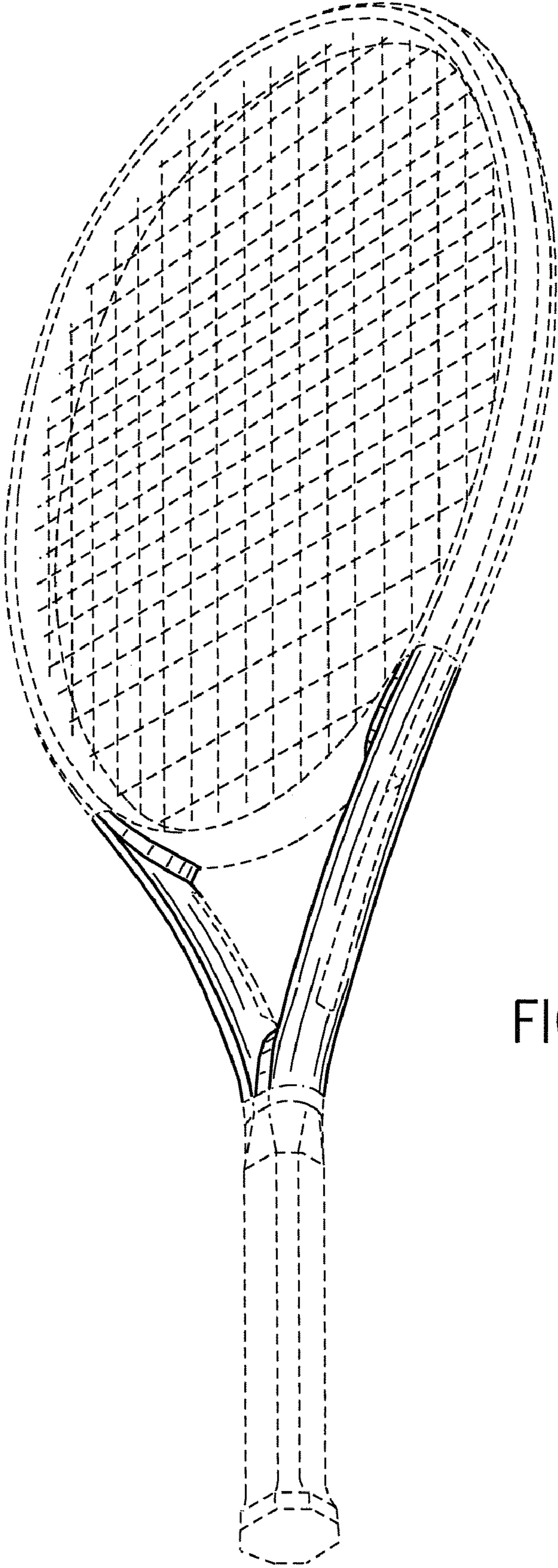


FIG. 1

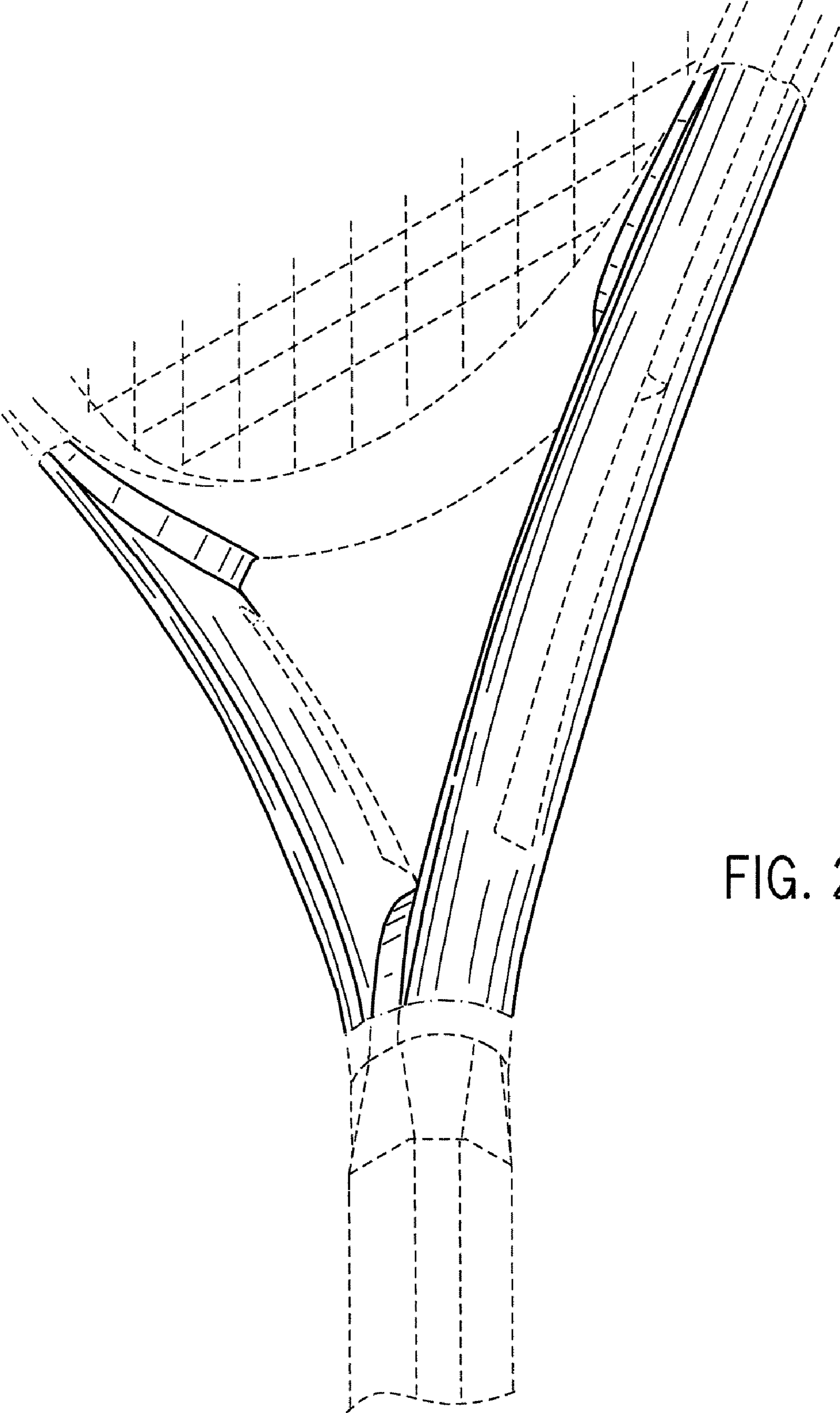


FIG. 2

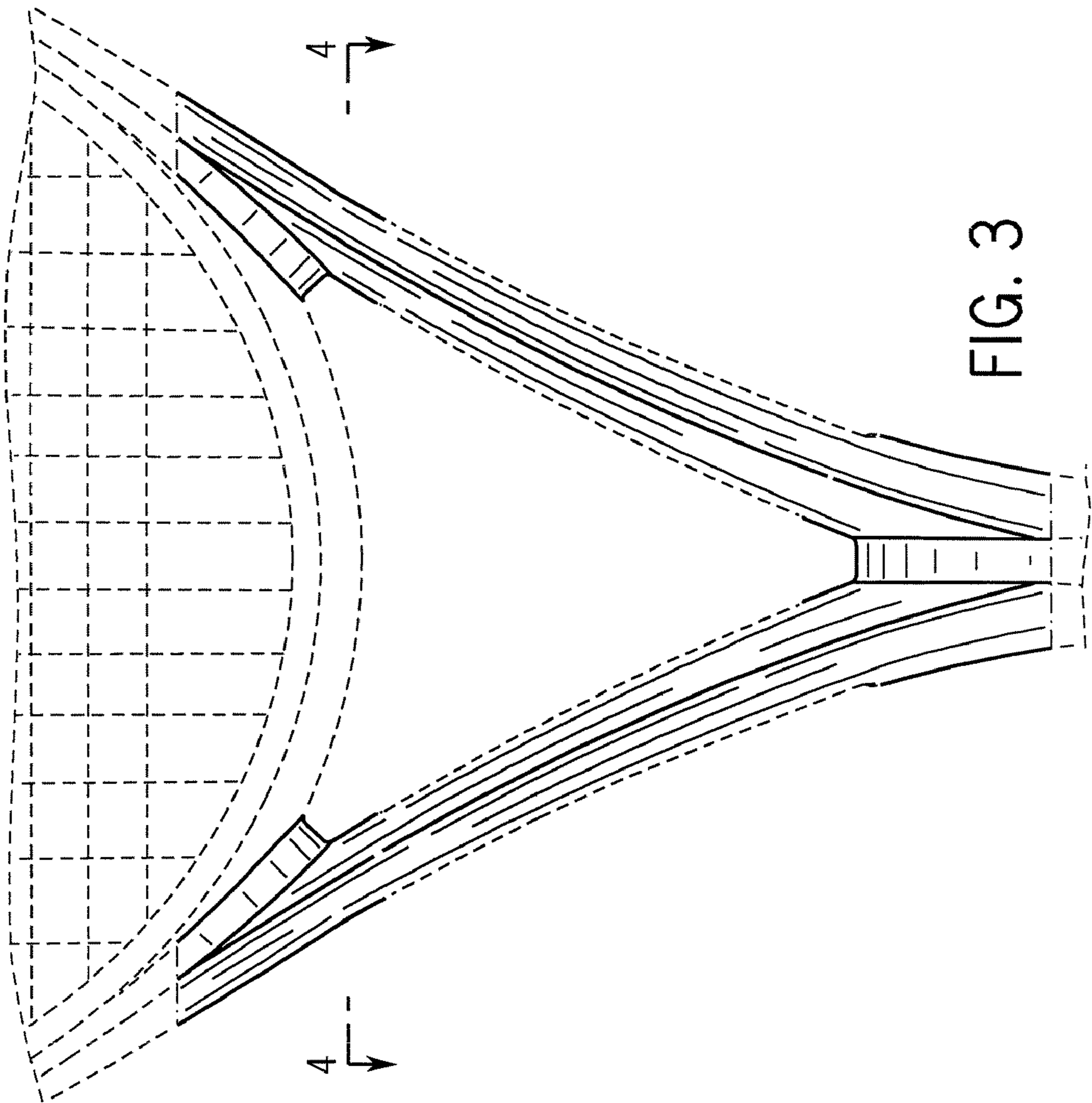


FIG. 3

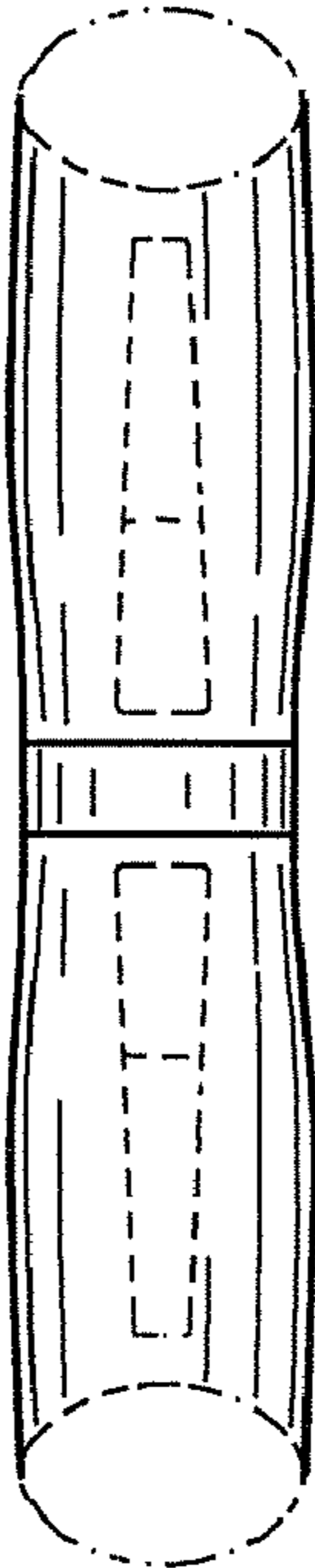


FIG. 4