



US00D622791S

(12) **United States Design Patent**  
**Gibson**

(10) **Patent No.:** **US D622,791 S**

(45) **Date of Patent:** **\*\* Aug. 31, 2010**

(54) **SPORTS GOAL**

2007/0184920 A1 8/2007 Mah et al.

(76) Inventor: **William G. Gibson**, 780 Godfrey Rd.,  
Villanova, PA (US) 19085

FOREIGN PATENT DOCUMENTS

GB DES. 3025493 8/2006

(\*\*) Term: **14 Years**

\* cited by examiner

(21) Appl. No.: **29/316,752**

*Primary Examiner*—Catherine Tuttle

(22) Filed: **Oct. 28, 2009**

(74) *Attorney, Agent, or Firm*—Dilworth Paxson LLP

**Related U.S. Application Data**

(57) **CLAIM**

(63) Continuation of application No. 29/313,952, filed on  
Feb. 20, 2009, now Pat. No. Des. 612,001.

The ornamental design for a sports goal, as shown and  
described.

(51) **LOC (9) Cl.** ..... **21-02**

**DESCRIPTION**

(52) **U.S. Cl.** ..... **D21/699**

(58) **Field of Classification Search** ..... D21/302,  
D21/303, 305, 699, 701–705; 473/415, 416,  
473/421, 431–435, 439, 446–448, 454–456,  
473/470–472, 476–789; 273/317–317.3,  
273/348, 382, 389, 394, 398, 400, 402–404,  
273/407, 408, 410

FIG. 1 is a front elevation view showing a first embodiment of  
my new design for a sports goal;

FIG. 2 is a rear elevation view of the embodiment of the sports  
goal shown in FIG. 1;

See application file for complete search history.

FIG. 3 is a left side elevation view of the embodiment of the  
sports goal shown in FIG. 1;

(56) **References Cited**

U.S. PATENT DOCUMENTS

574,087 A	12/1896	Frick	
1,549,848 A	8/1925	Sexton	
1,629,907 A	5/1927	Dwyer	
1,927,741 A	9/1933	Herbert	
2,126,102 A	8/1938	Fowier	
2,771,294 A	11/1956	Macchesney	
2,805,861 A	9/1957	Lopas	
D232,369 S	8/1974	Tolliver	
4,168,066 A	9/1979	Sole et al.	
4,441,719 A	4/1984	Lohr	
4,489,941 A	12/1984	Shieh	
4,579,344 A	4/1986	Meggs	
5,000,461 A	3/1991	Borazjani	
6,905,418 B2	6/2005	Rhee	
D540,407 S *	4/2007	Grant	..... D21/705
7,611,427 B1 *	11/2009	Cline	..... 473/465

FIG. 4 is a right side elevation view of the embodiment of the  
sports goal shown in FIG. 1;

FIG. 5 is a top plan view of the embodiment of the sports goal  
shown in FIG. 1;

FIG. 6 is a bottom plan view of the embodiment of the sports  
goal shown in FIG. 1;

FIG. 7 is a front perspective view of the embodiment of the  
sports goal shown in FIG. 1;

FIG. 8 is a bottom perspective view of the embodiment of the  
sports goal shown in FIG. 1;

FIG. 9 is a front elevation view showing a second embodi-  
ment of my new design for a sports goal;

FIG. 10 is a rear elevation view of the second embodiment of  
the sports goal shown in FIG. 9;

FIG. 11 is a left side elevation view of the second embodi-  
ment of the sports goal shown in FIG. 9;

FIG. 12 is a right side elevation view of the second embodi-  
ment of the sports goal shown in FIG. 9;

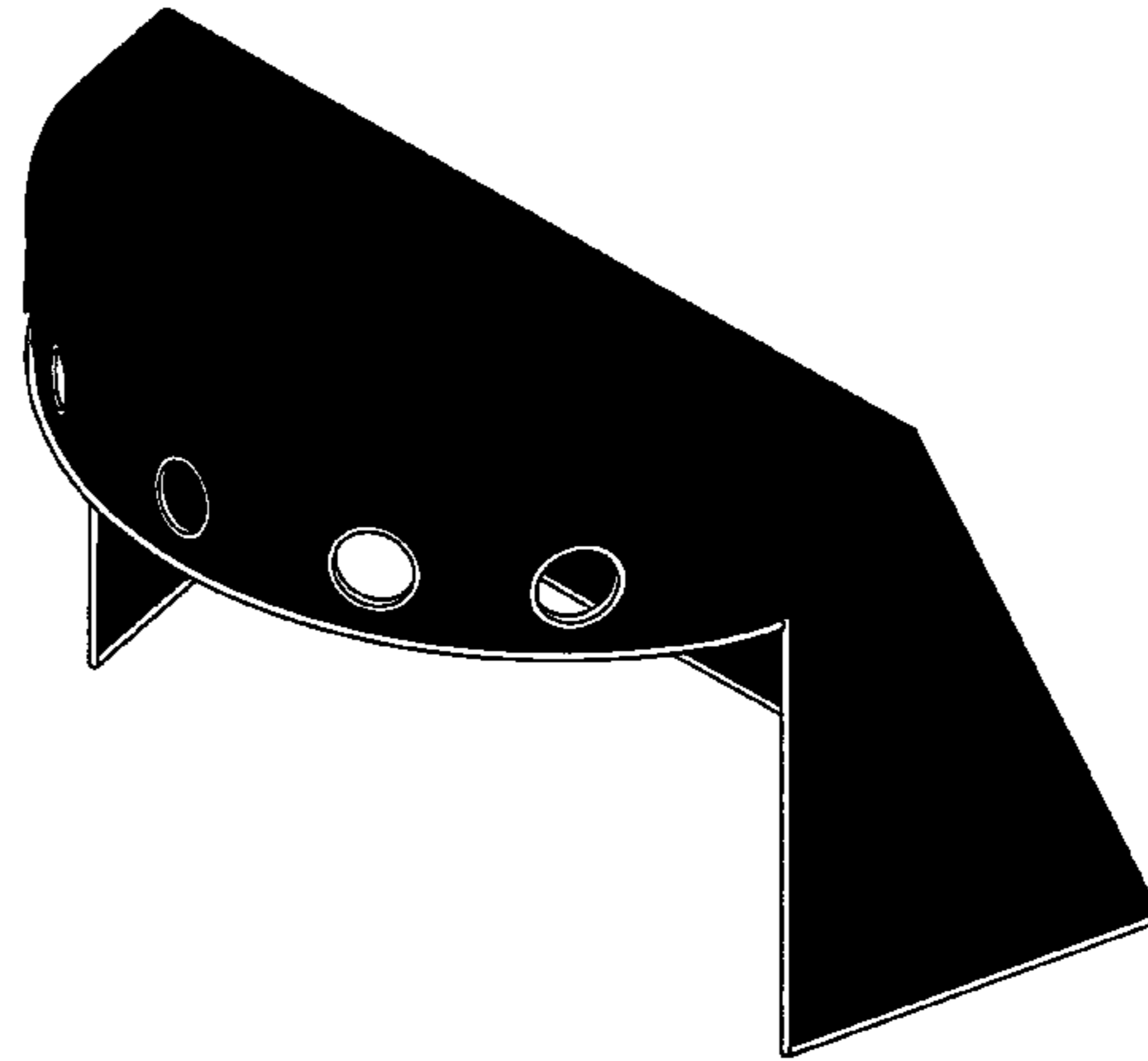
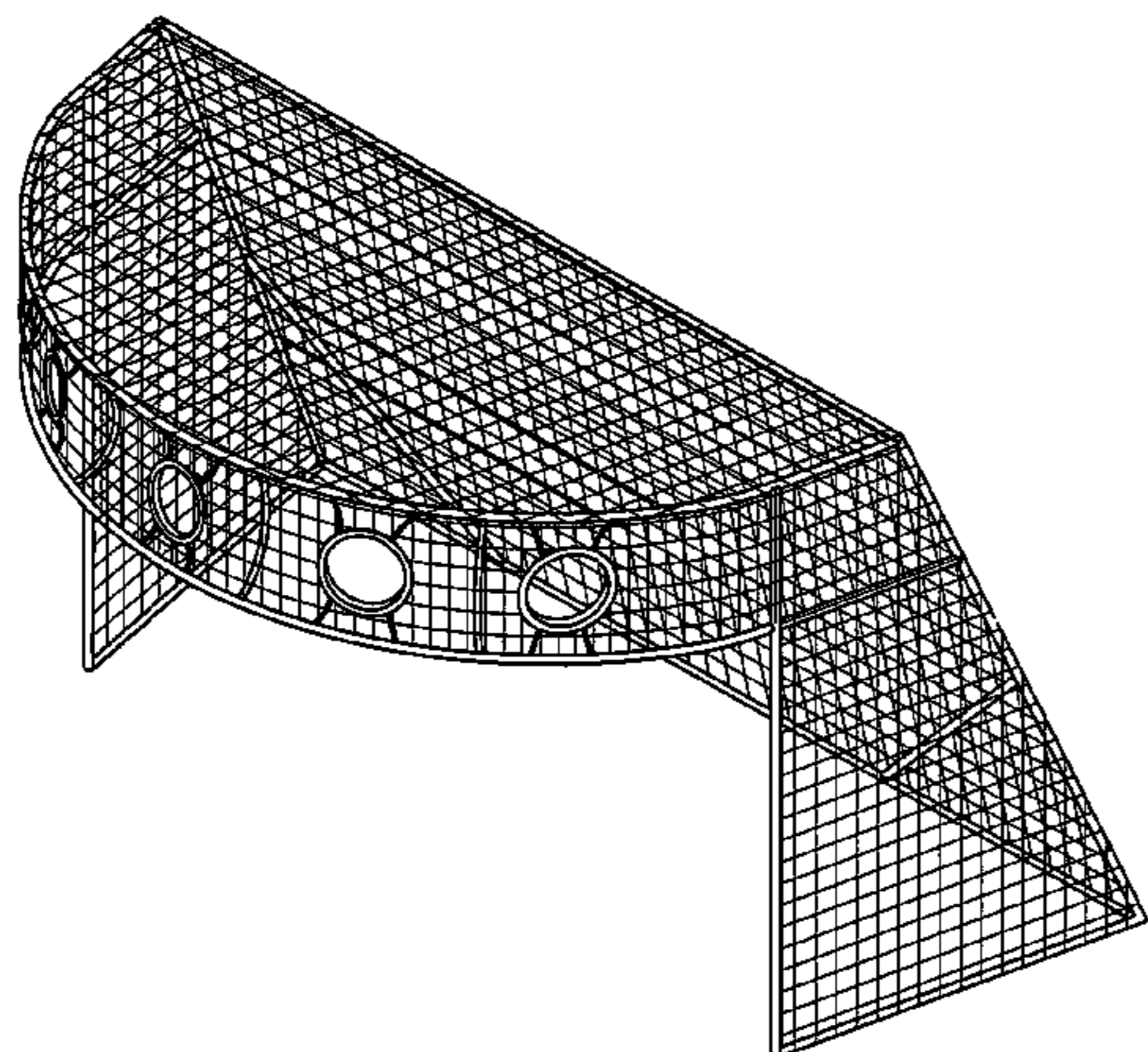


FIG. **13** is a top plan view of the second embodiment of the sports goal shown in FIG. **9**;

FIG. **14** is a bottom plan view of the second embodiment of the sports goal shown in FIG. **9**;

FIG. **15** is a front perspective view of the second embodiment of the sports goal shown in FIG. **9**;

FIG. **16** is a bottom perspective view of the second embodiment of the sports goal showing in FIG. **9**;

FIG. **17** is a front elevation view showing a third embodiment of my new design for a sports goal;

FIG. **18** is a rear elevation view of the third embodiment of the sports goal shown in FIG. **17**;

FIG. **19** is a left side elevation view of the third embodiment of the sports goal shown in FIG. **17**;

FIG. **20** is a right side elevation view of the third embodiment of the sports goal shown in FIG. **17**;

FIG. **21** is a top plan view of the third embodiment of sports goal shown in FIG. **17**;

FIG. **22** is a bottom plan view of the third embodiment of the sports goal shown in FIG. **17**;

FIG. **23** is a front perspective view of the third embodiment of the sports goal shown in FIG. **17**; and,

FIG. **24** is a bottom perspective view of the third embodiment of the sports goal shown in FIG. **17**.

The shading lines shown in the accompanying drawings represent three-dimensional surface contour only and do not depict any texture, color, shading or other characteristic.

**1 Claim, 15 Drawing Sheets**

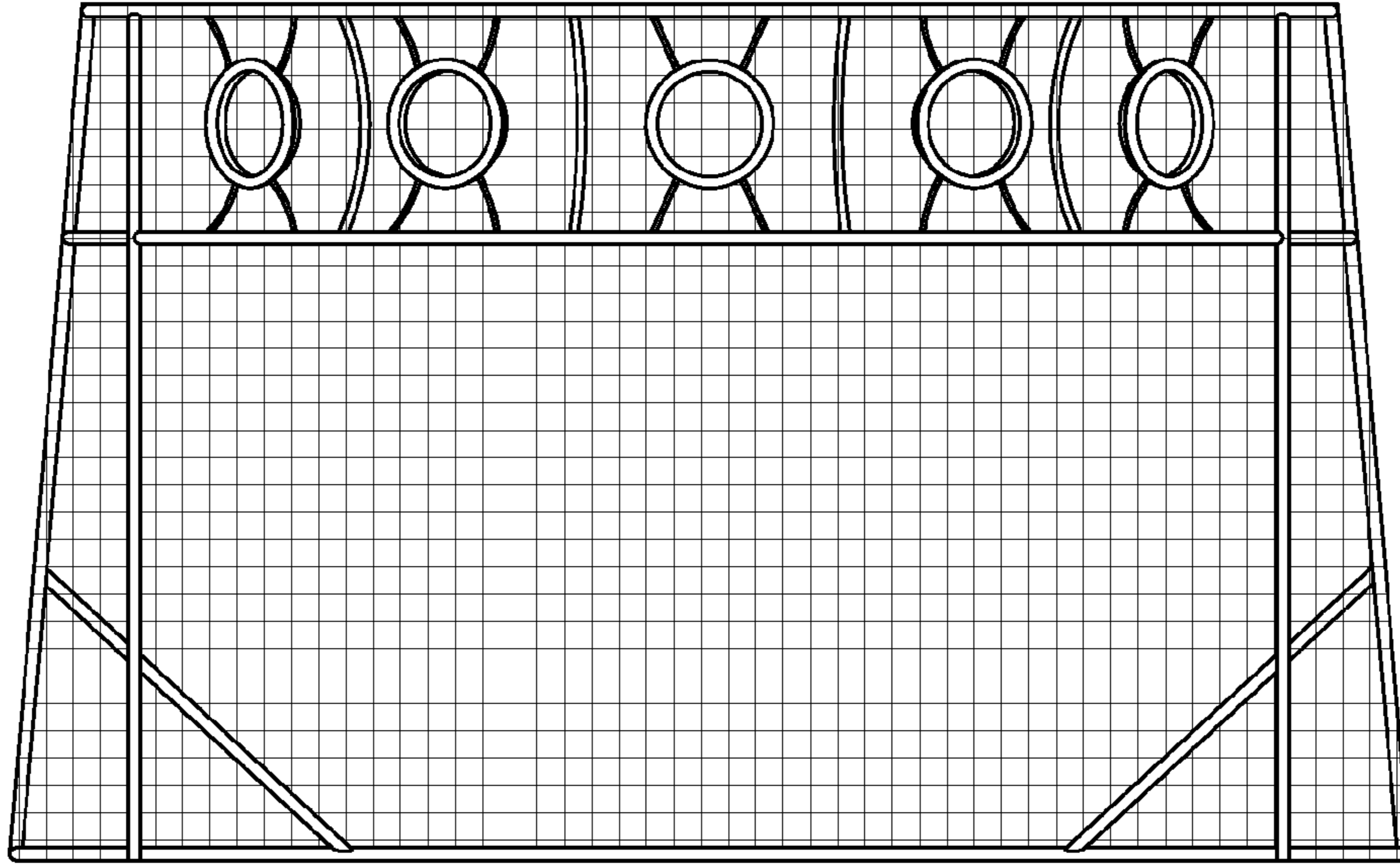


FIG. 1

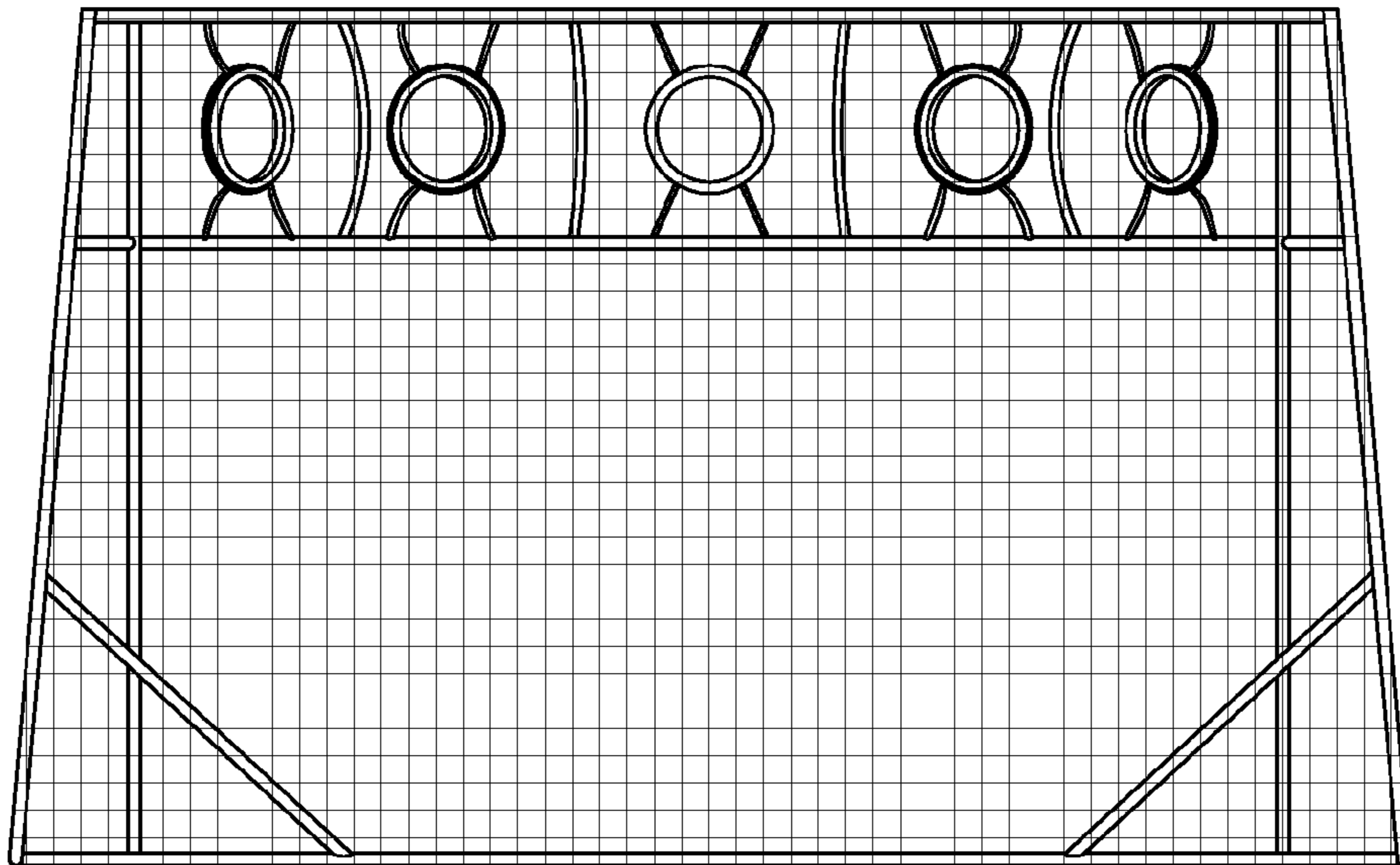


FIG. 2

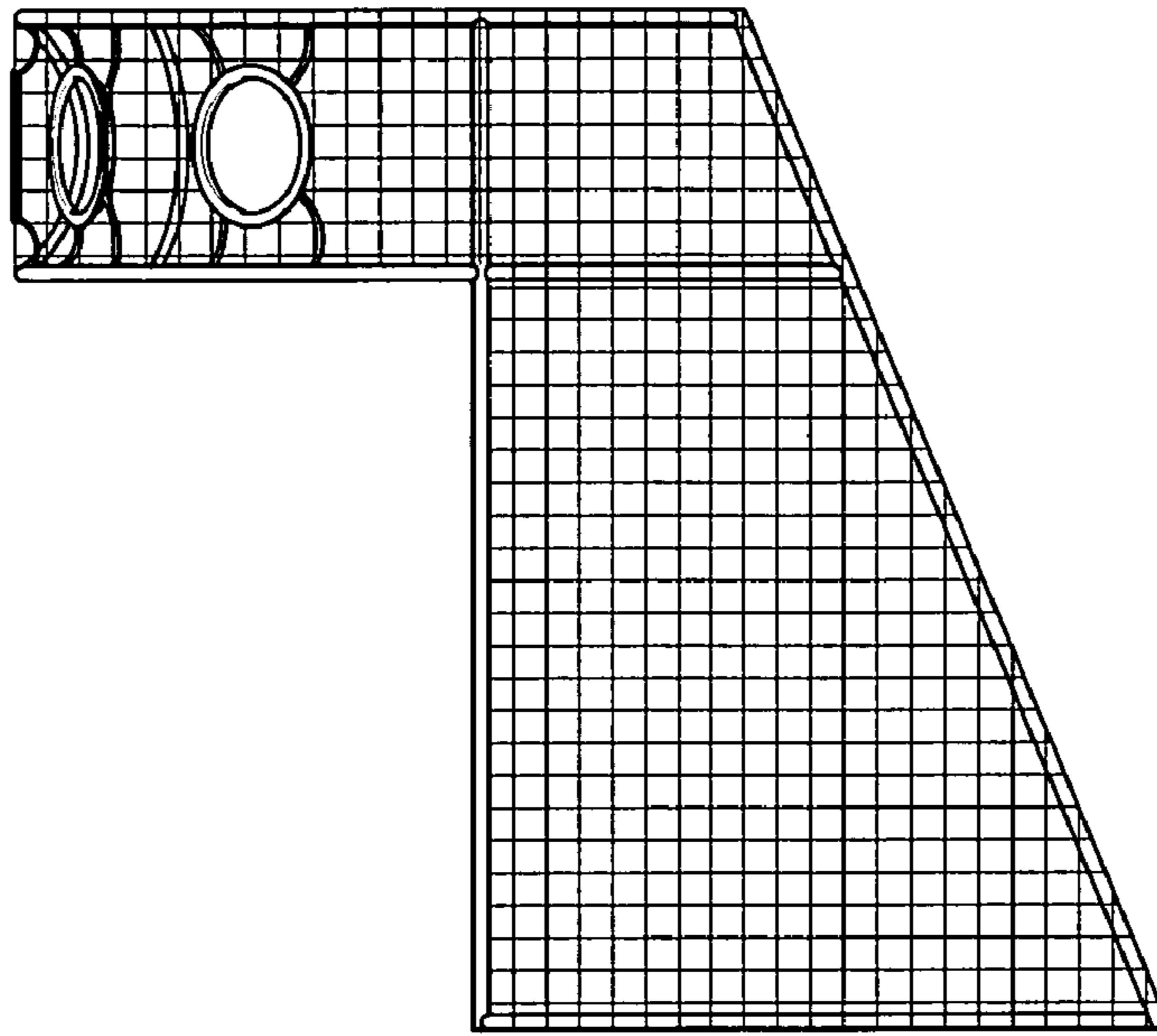


FIG. 3

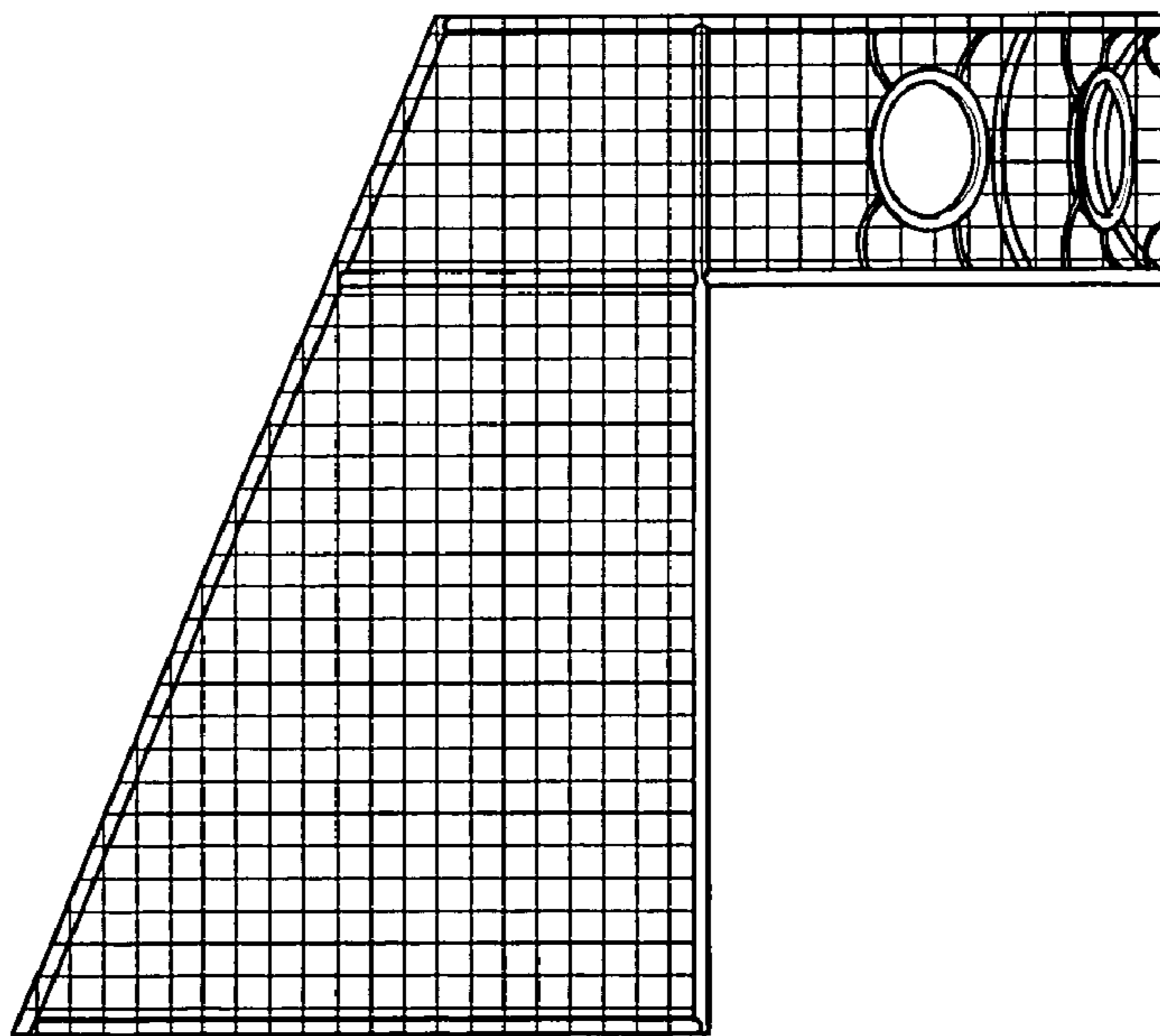


FIG. 4



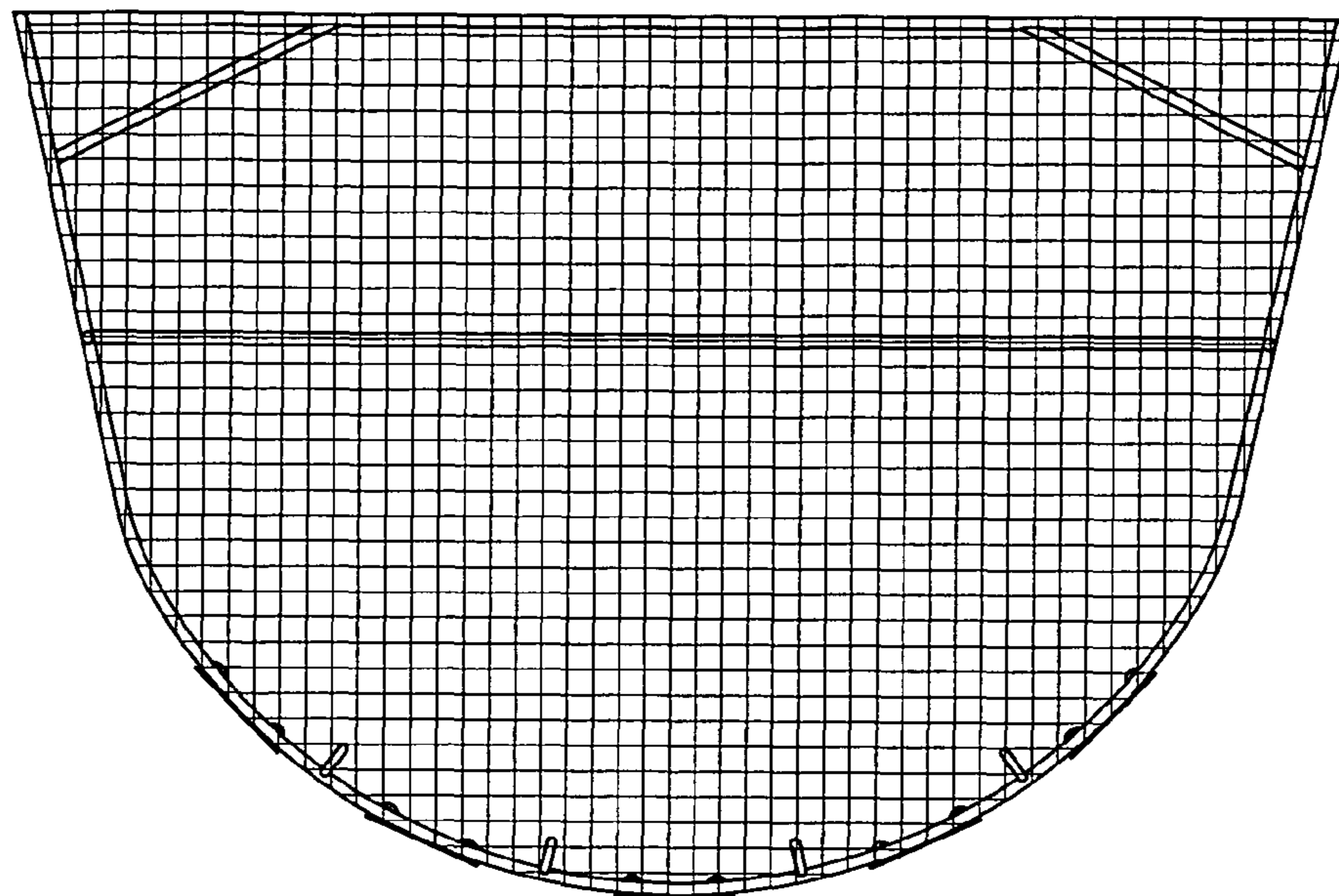


FIG. 5

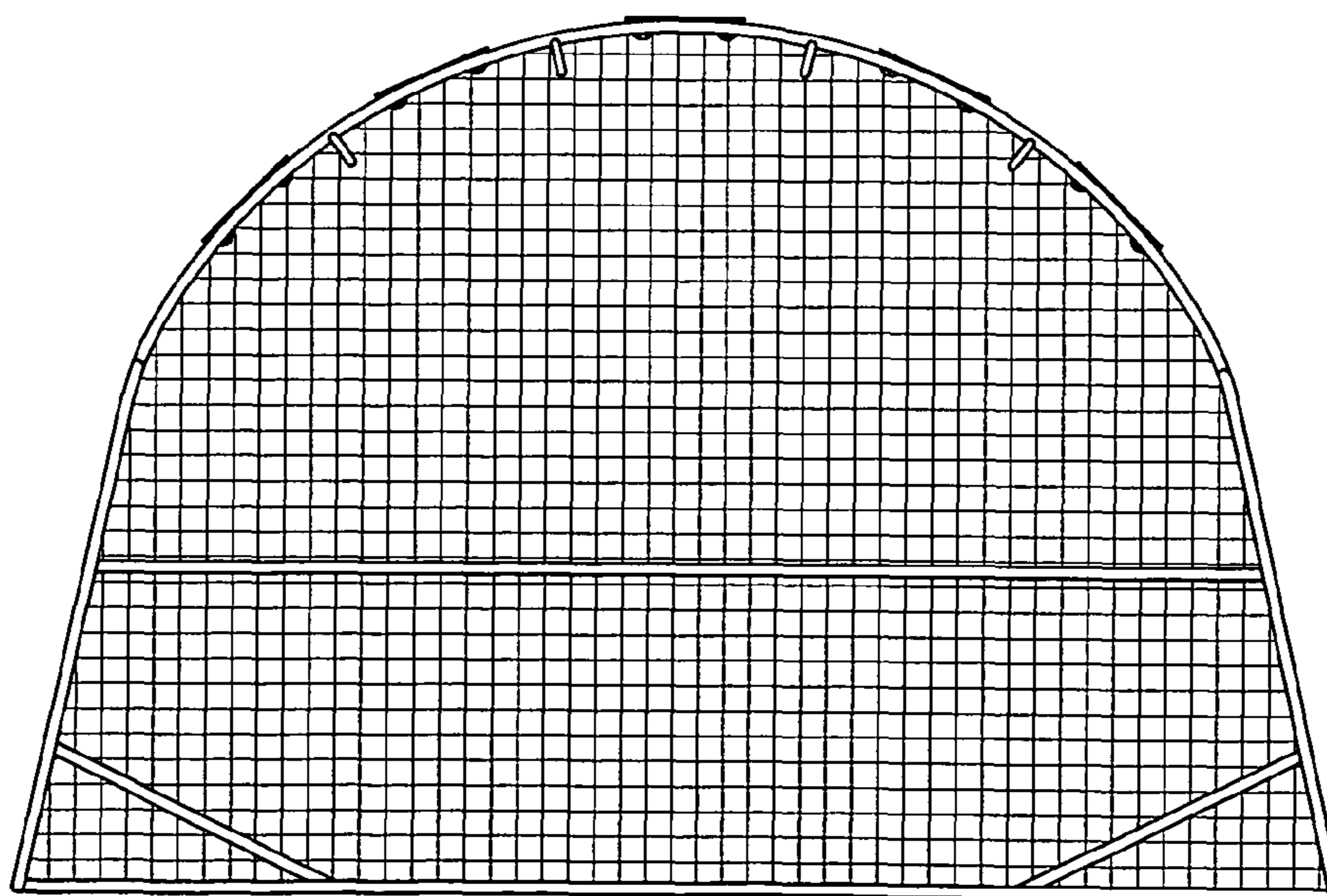


FIG. 6

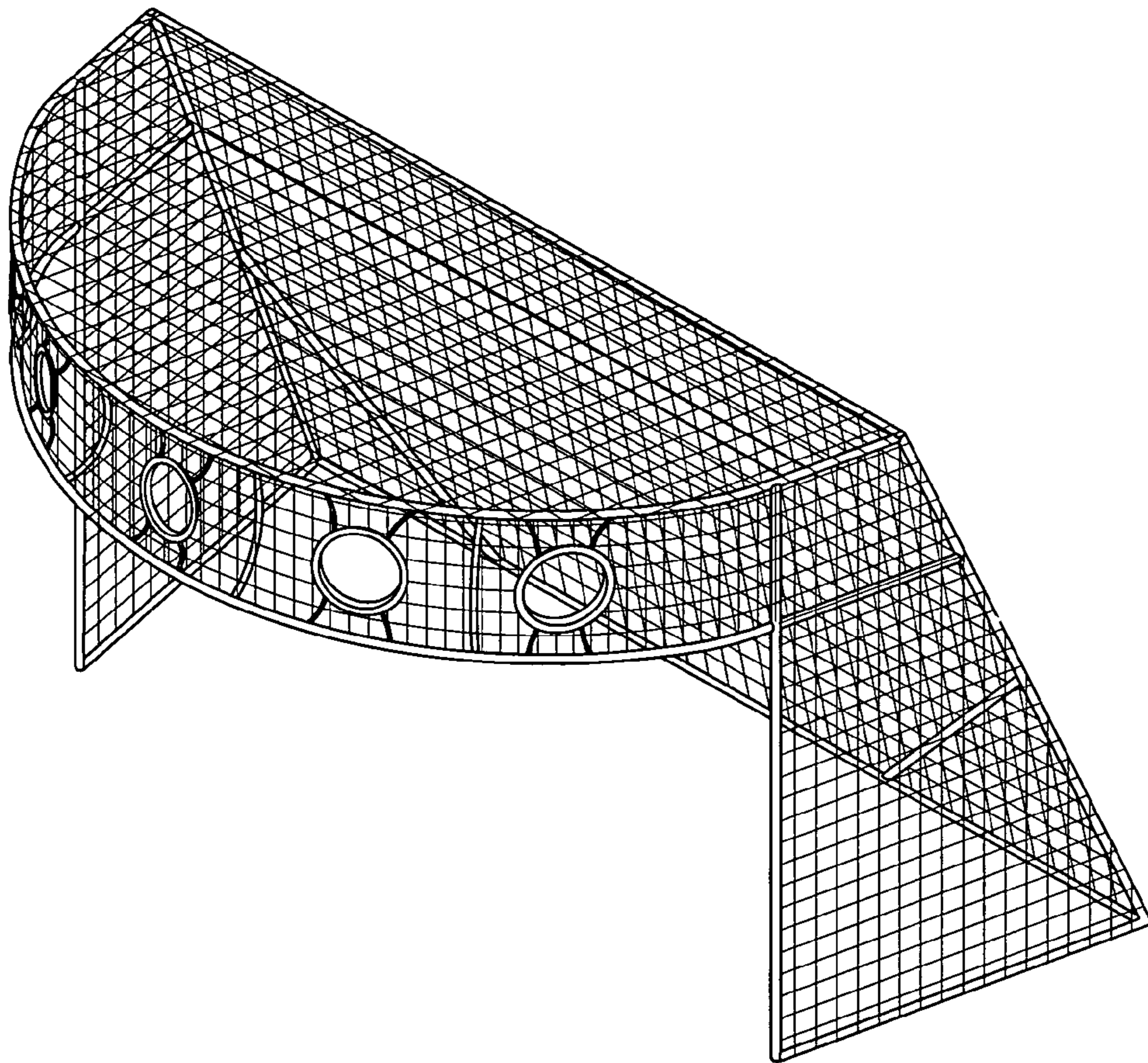


FIG. 7



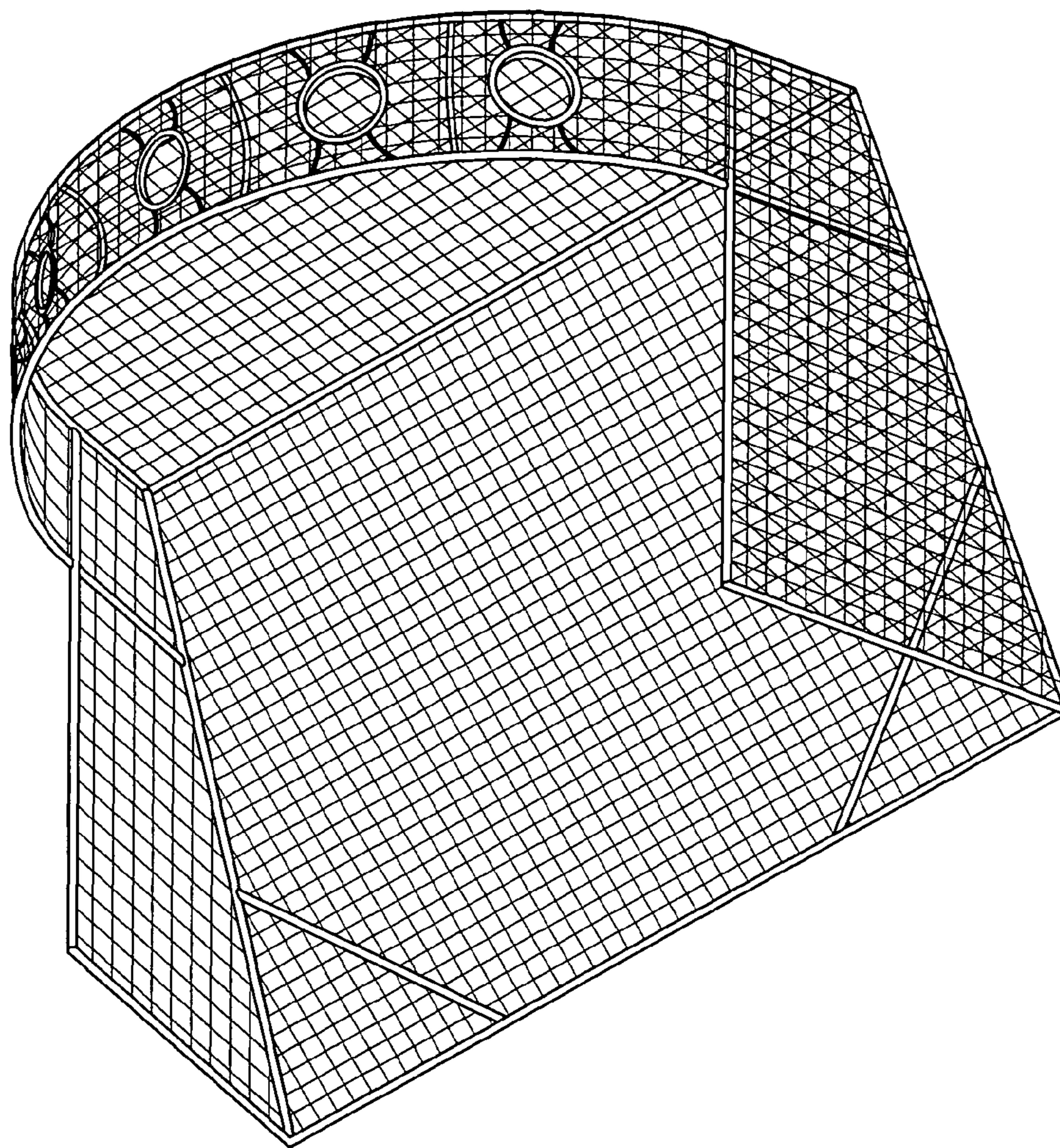


FIG. 8



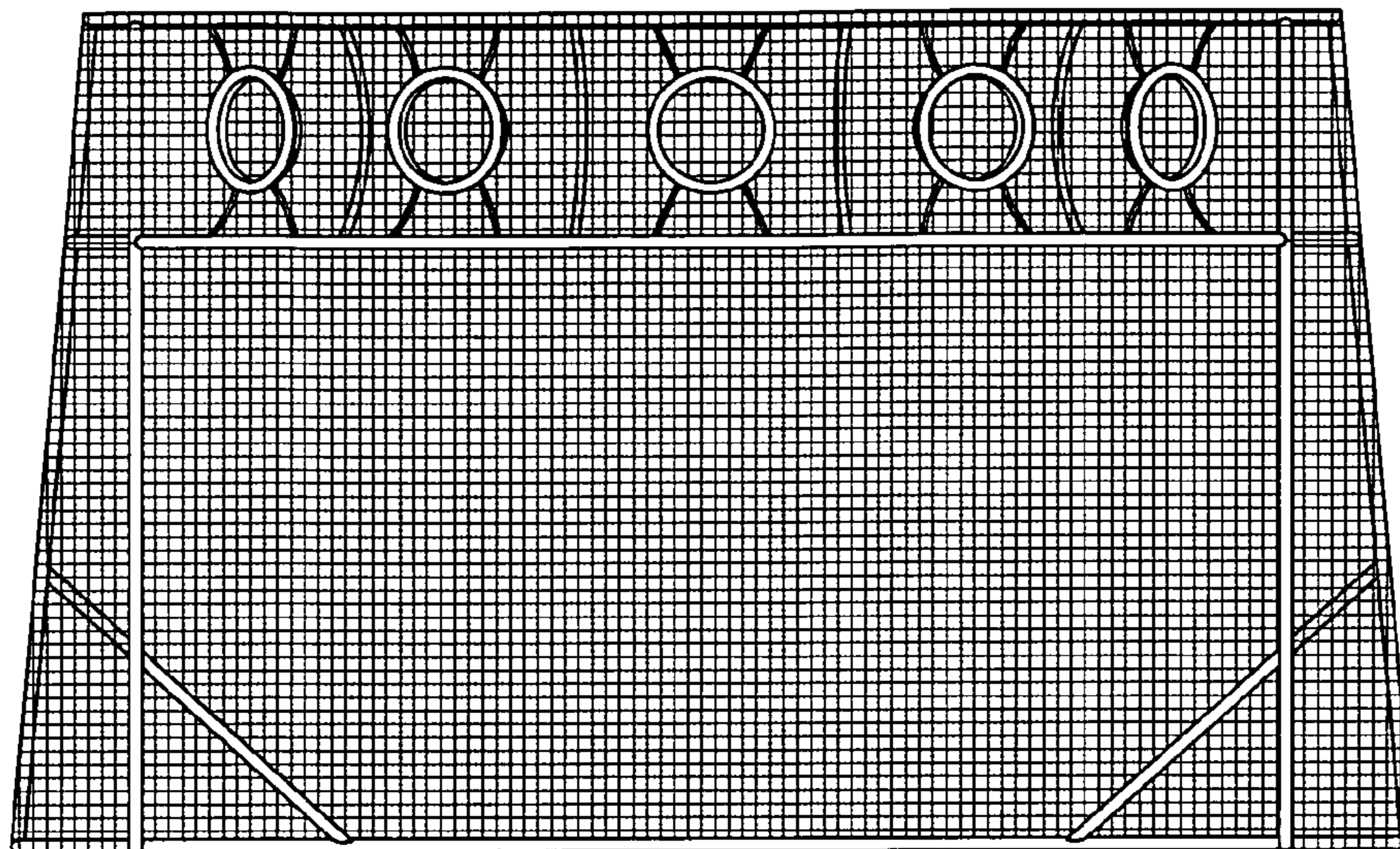


FIG. 9

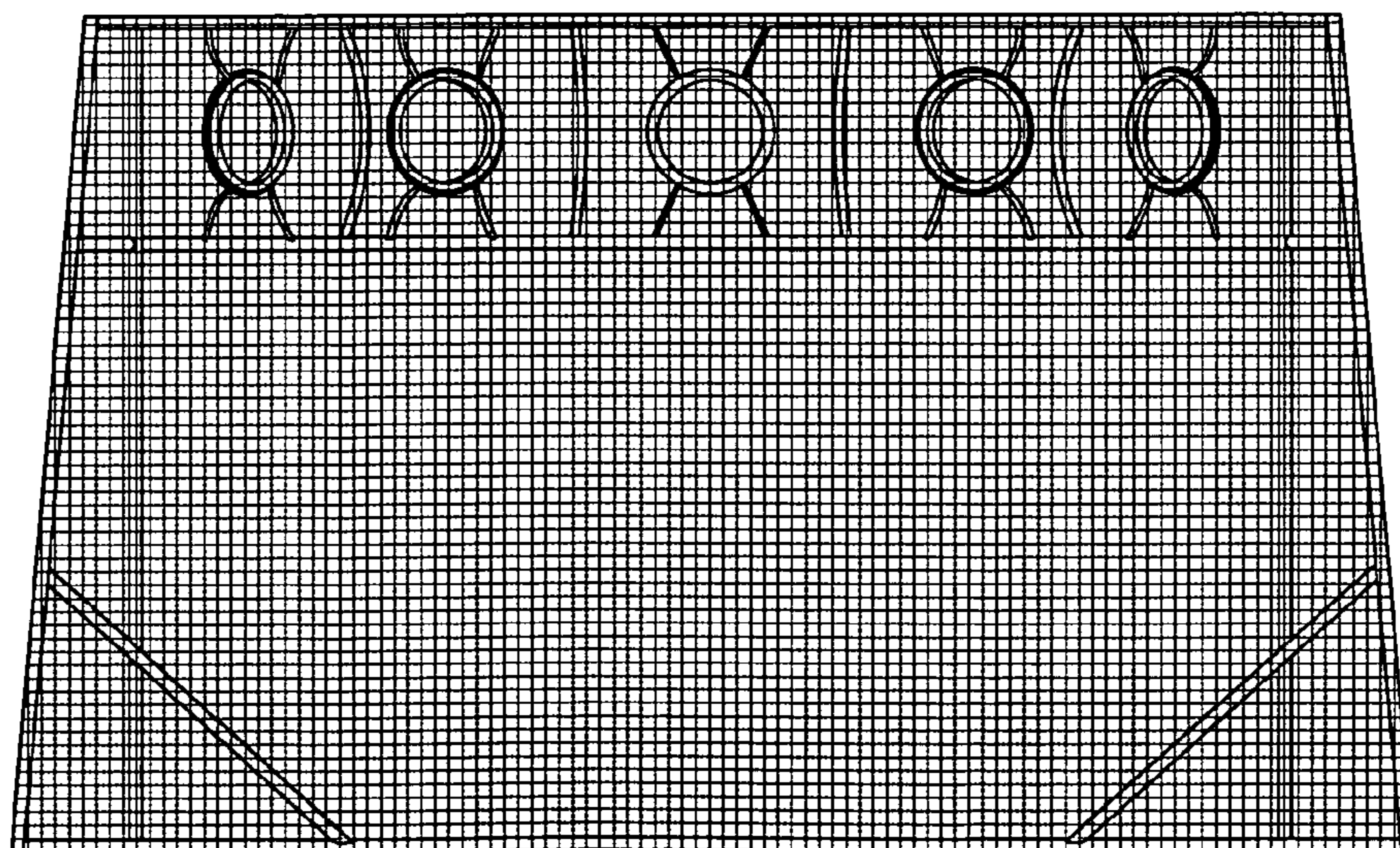


FIG. 10



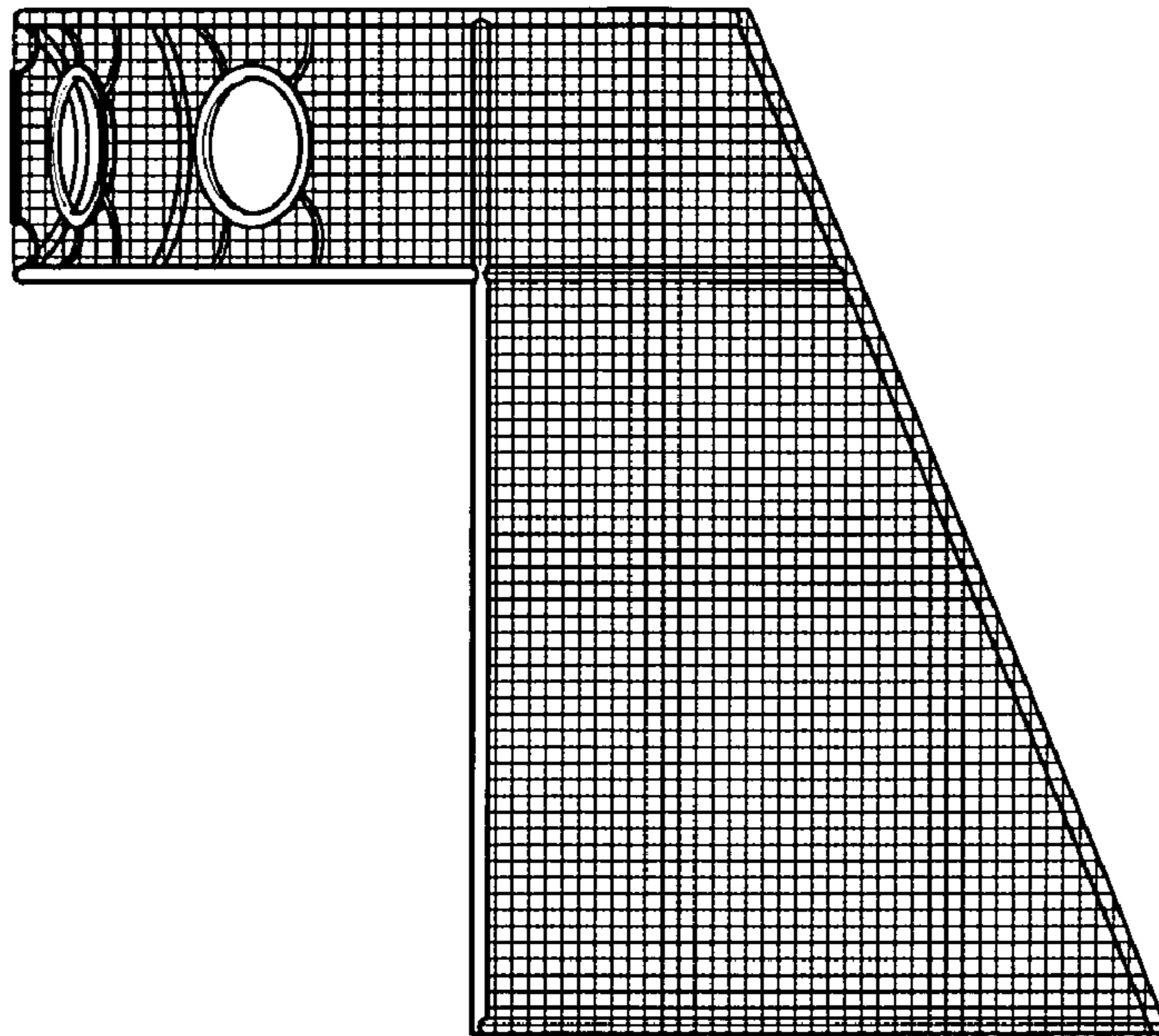


FIG. 11

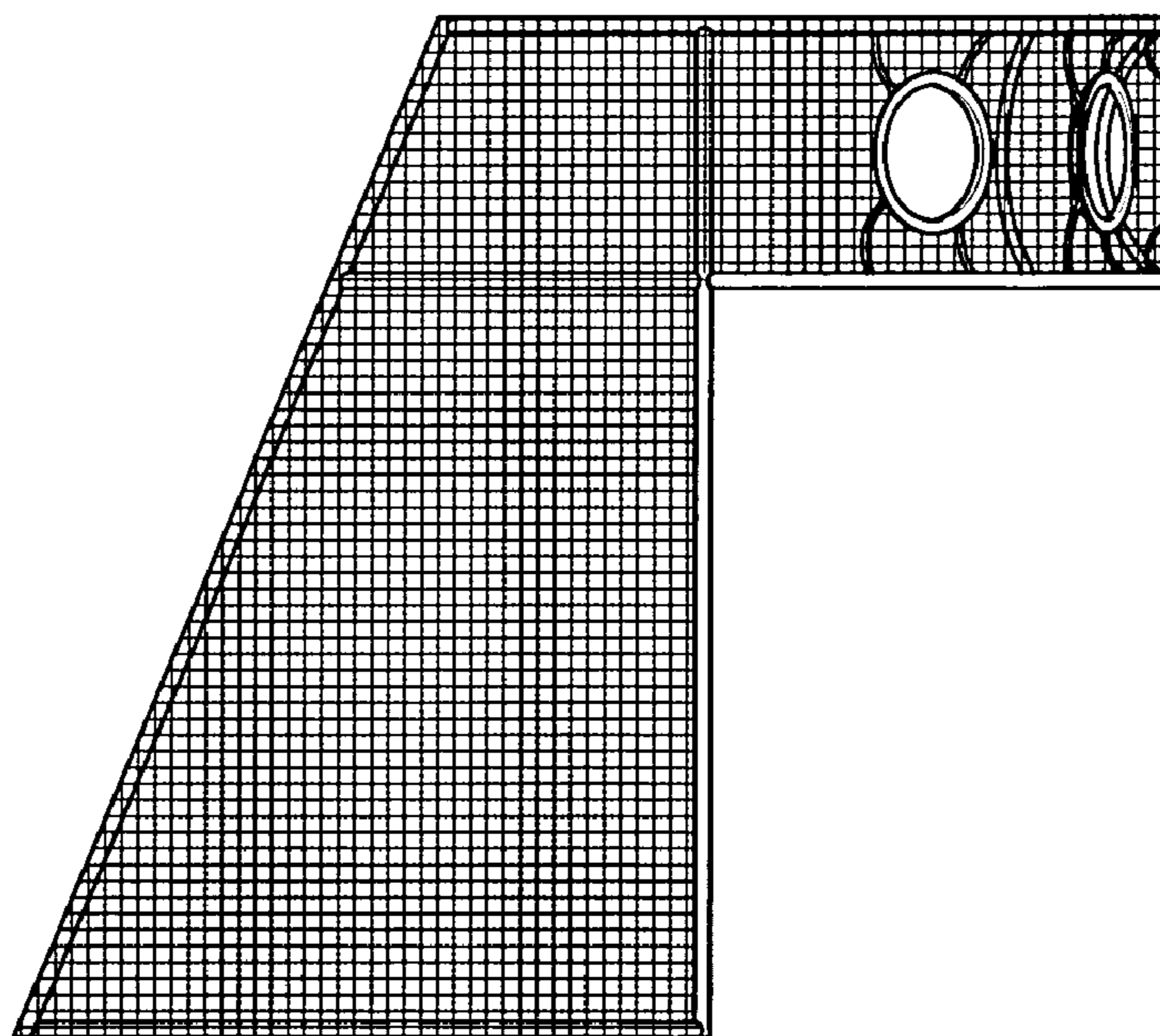


FIG. 12

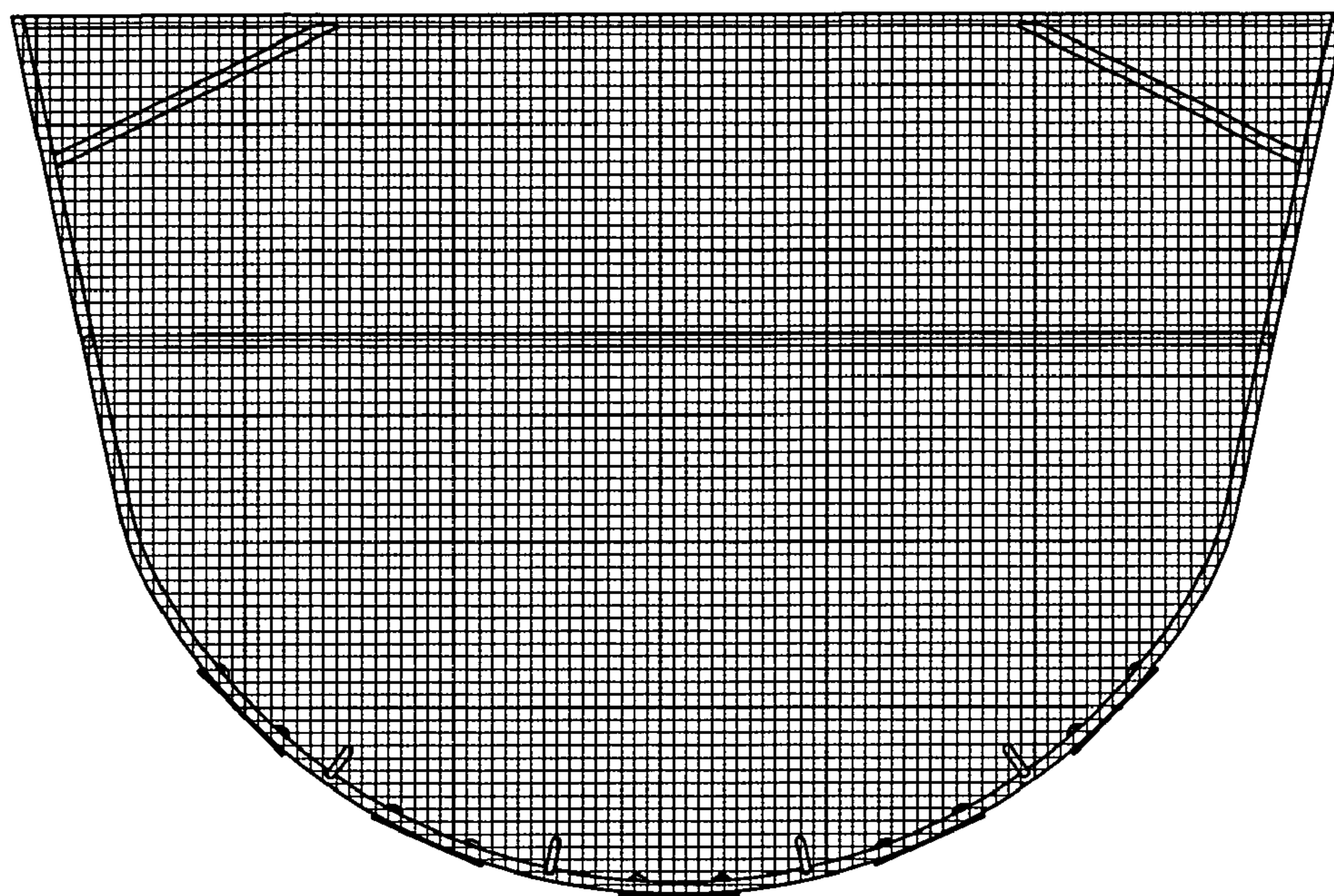


FIG. 13

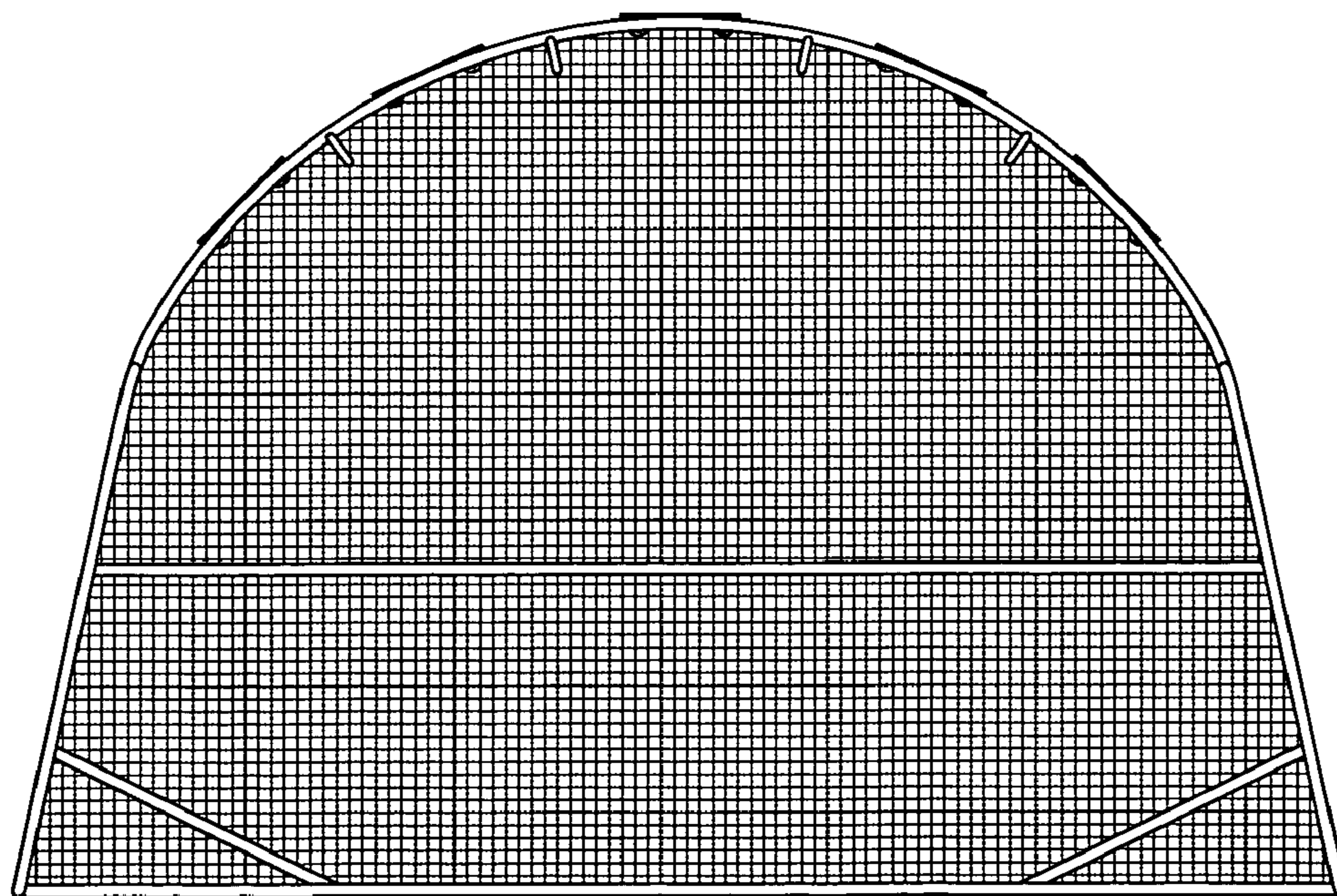


FIG. 14



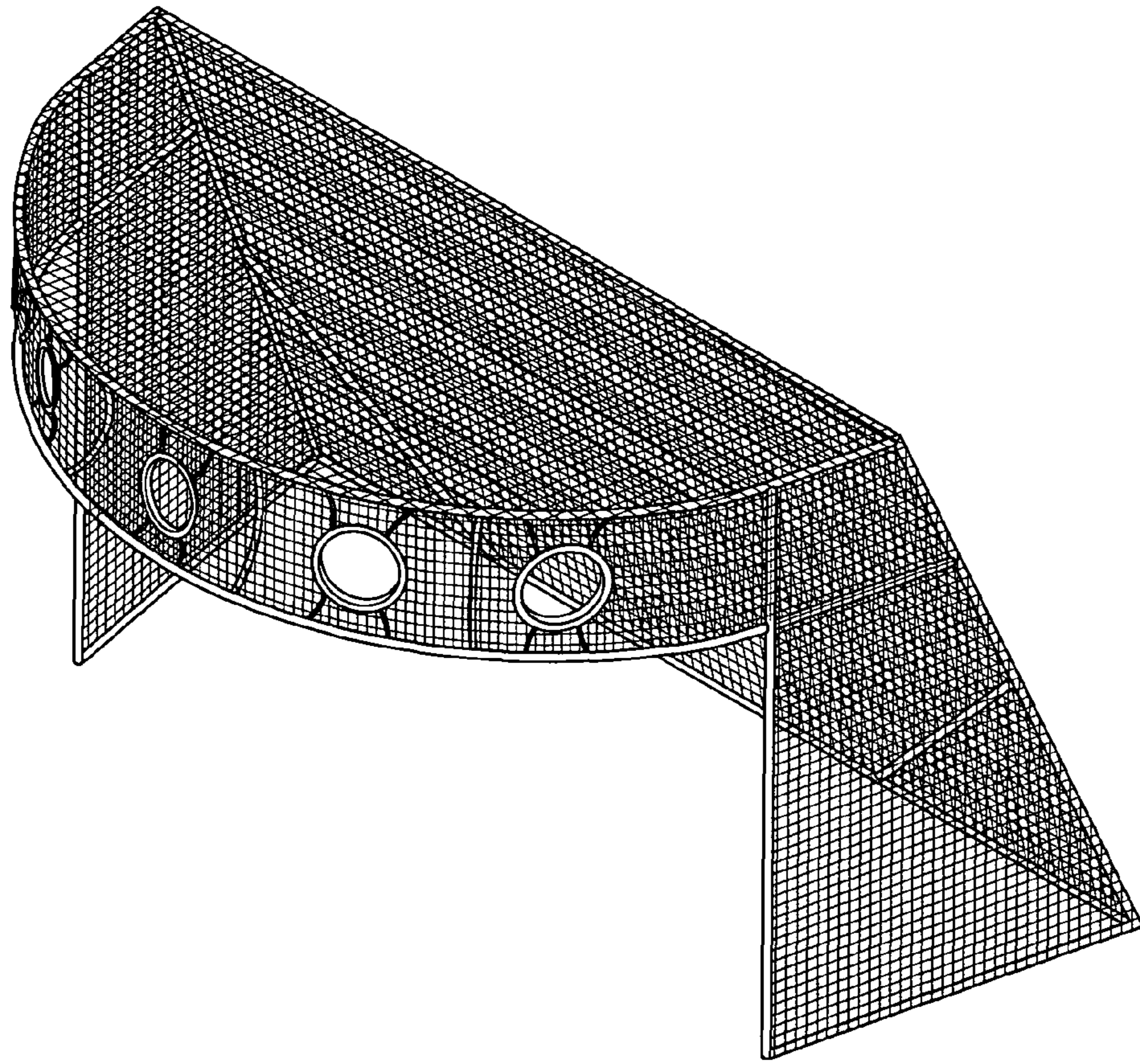


FIG. 15



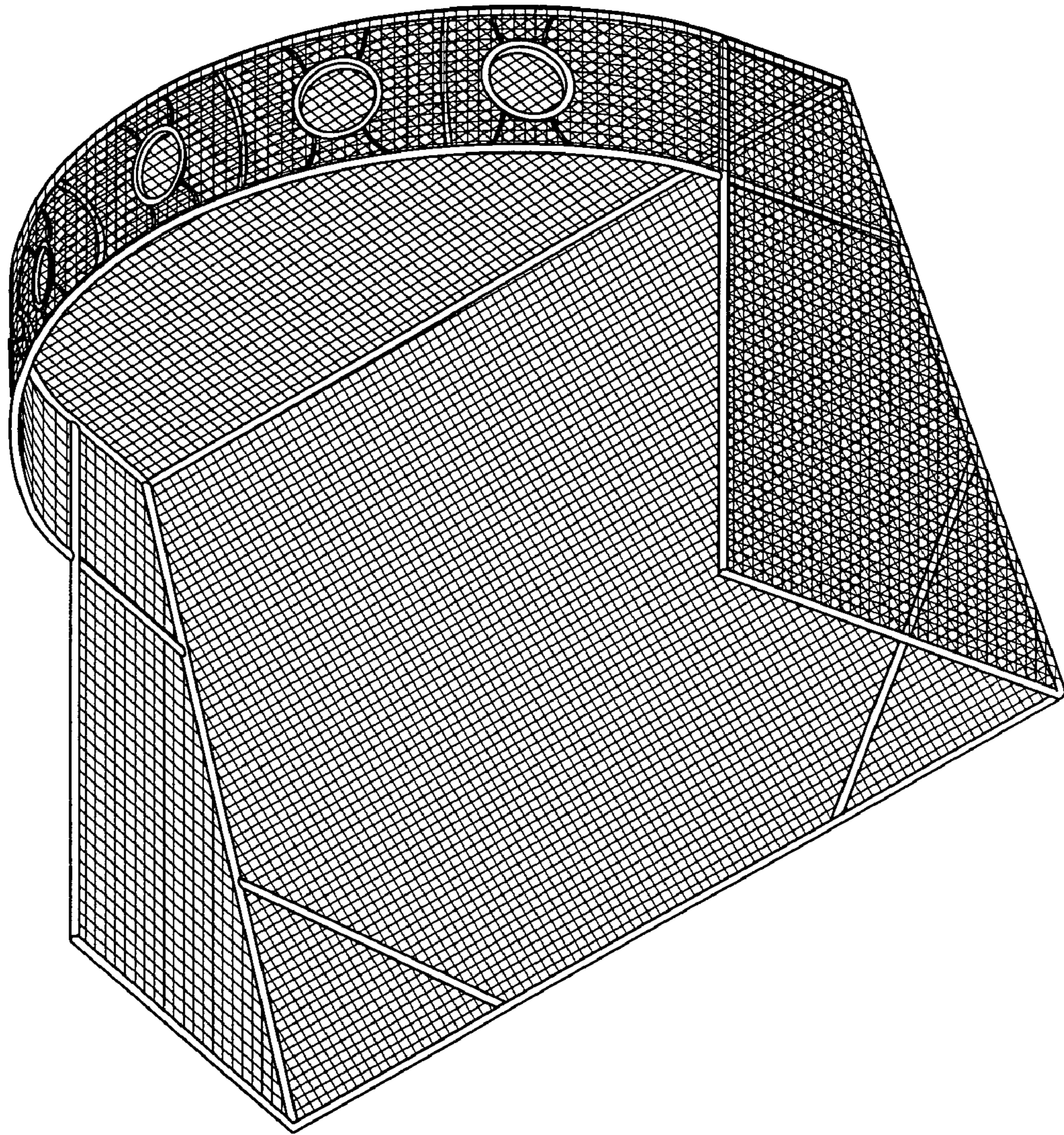


FIG. 16

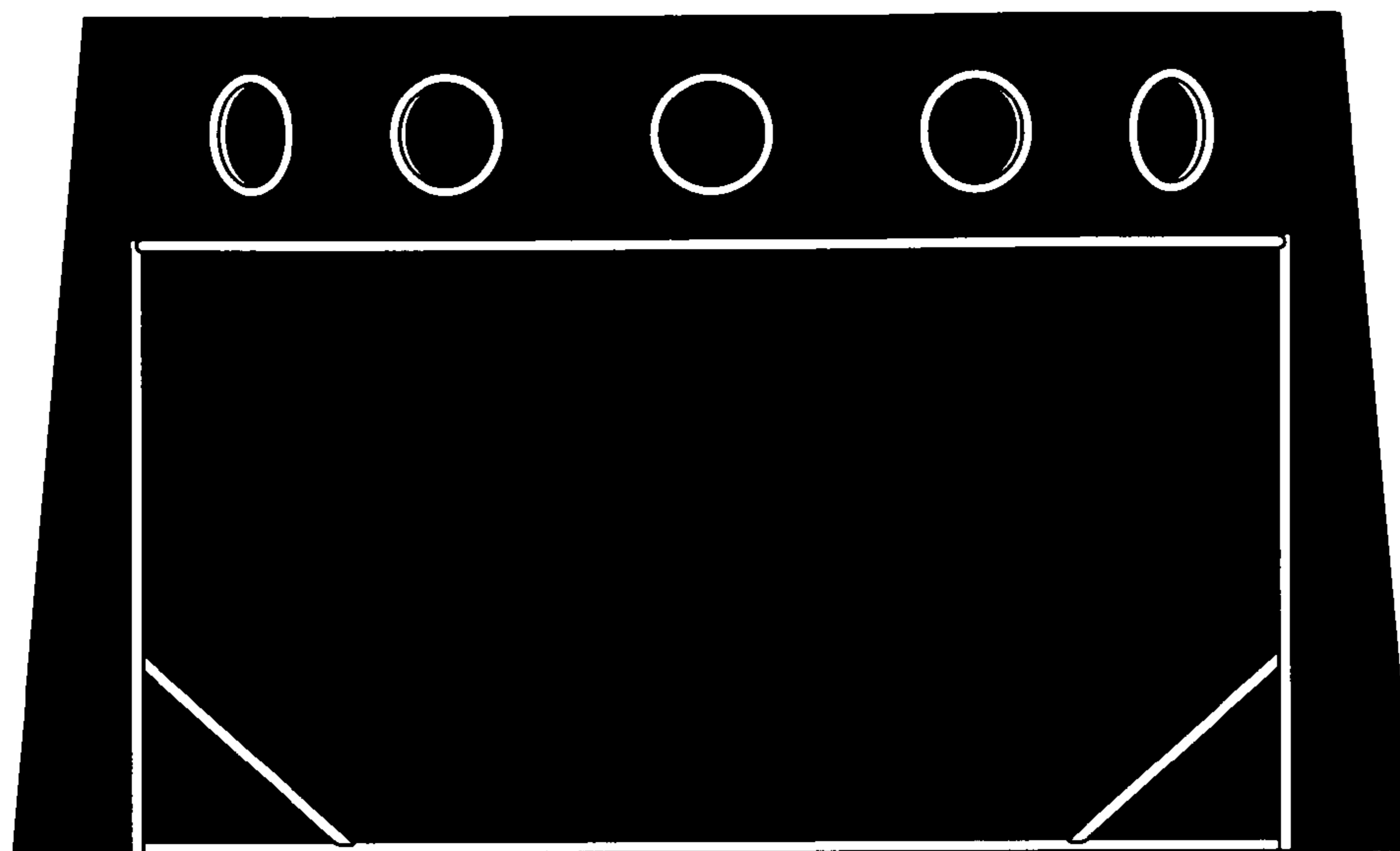


FIG. 17

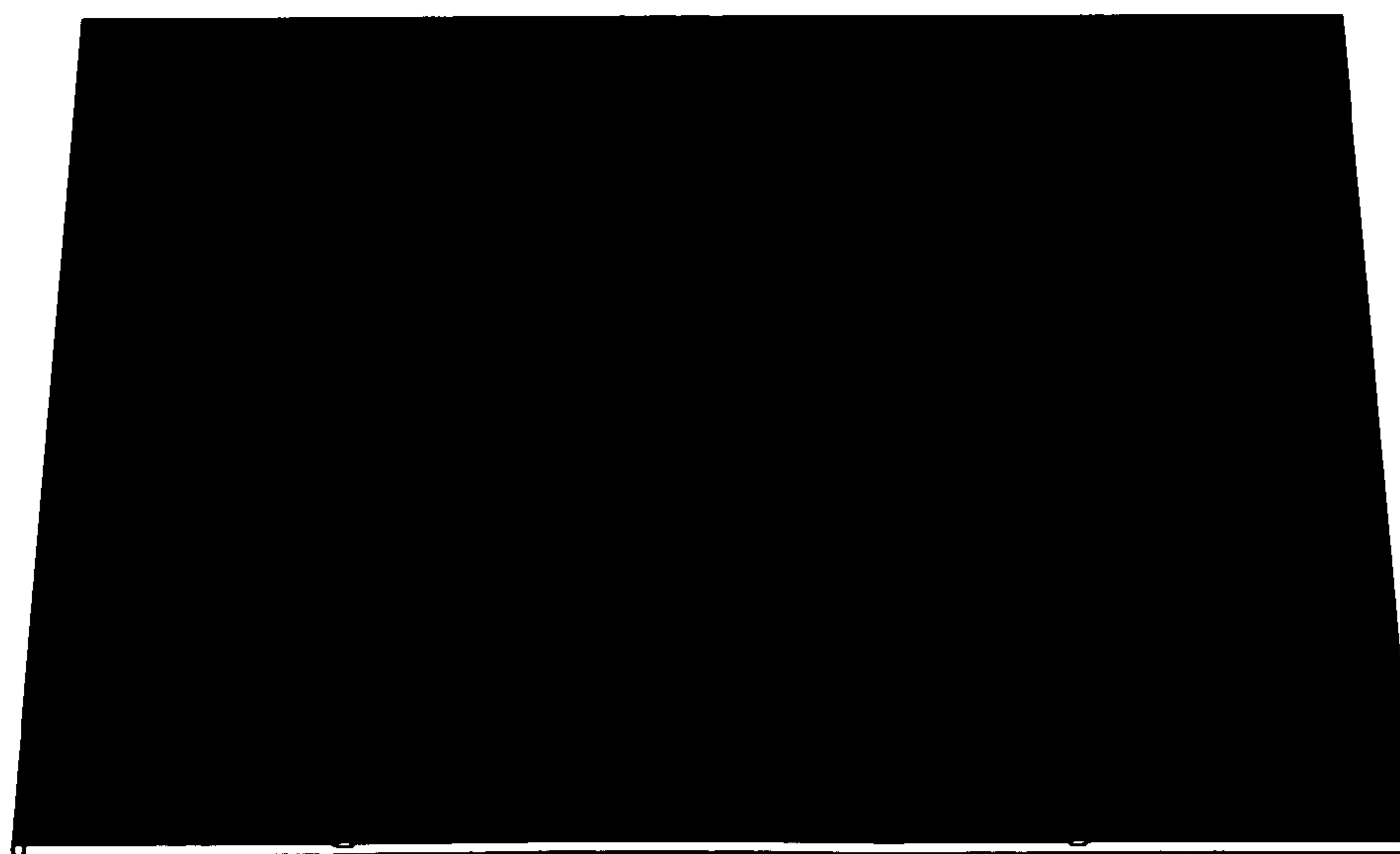


FIG. 18



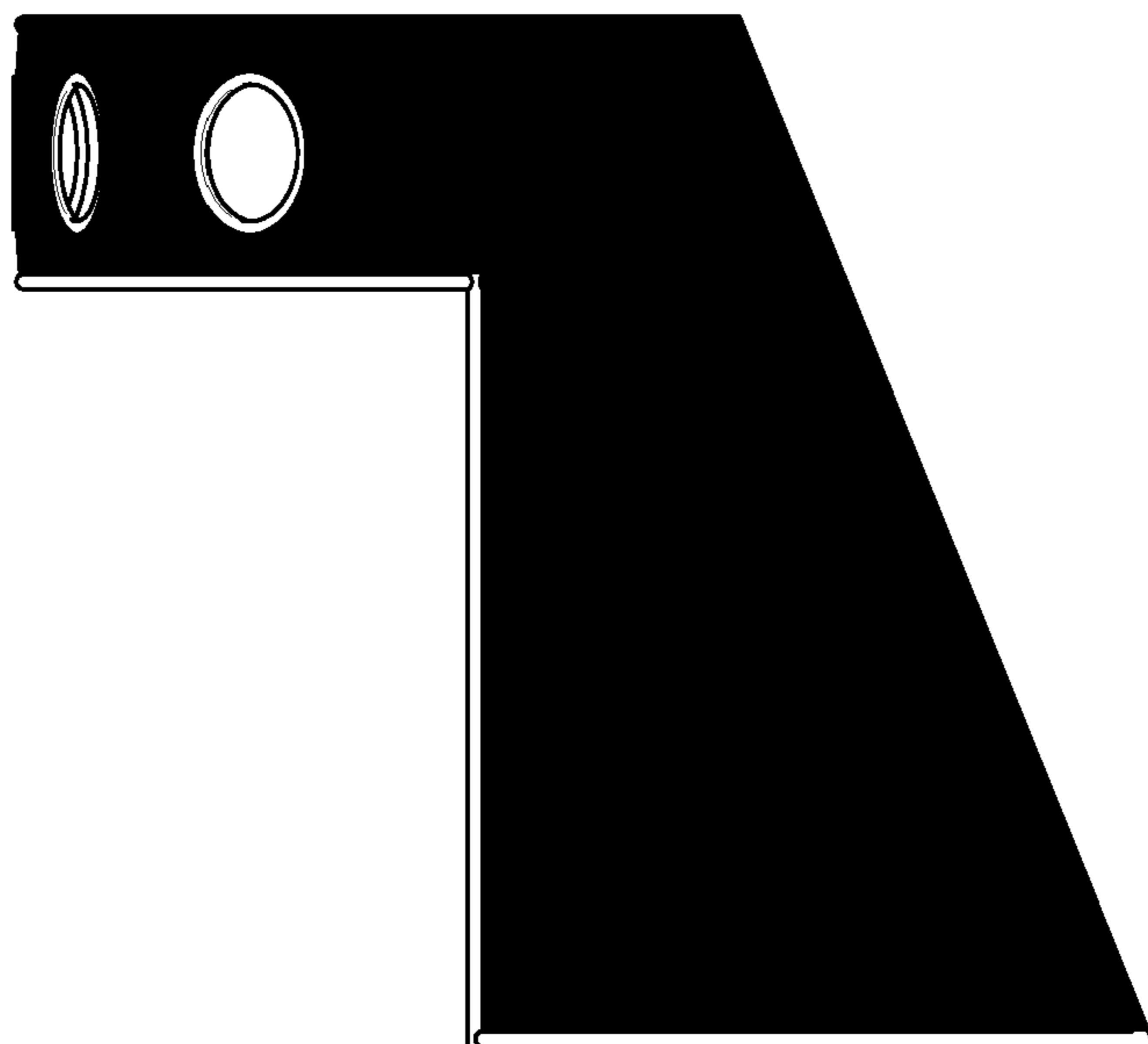


FIG. 19

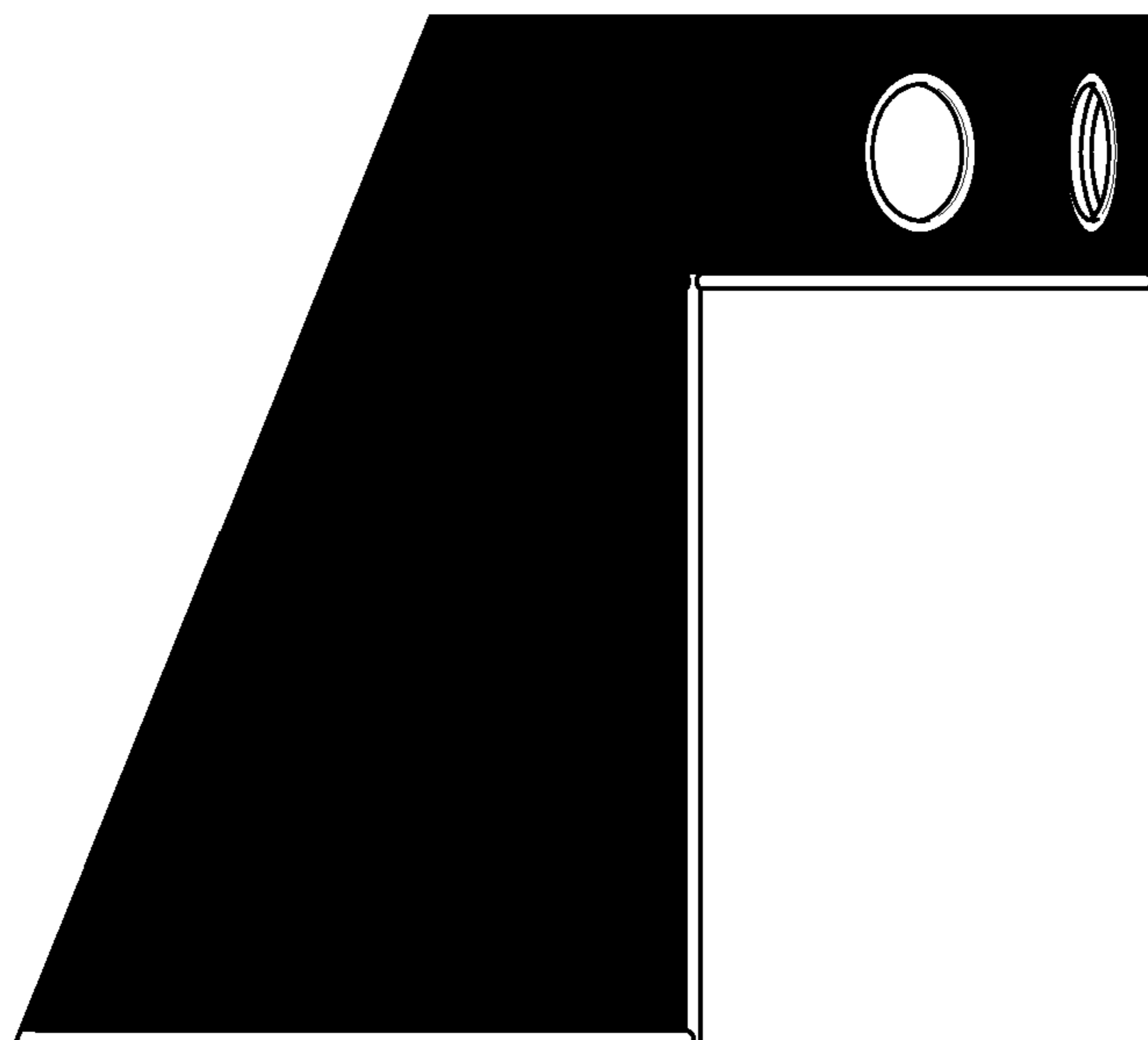


FIG. 20



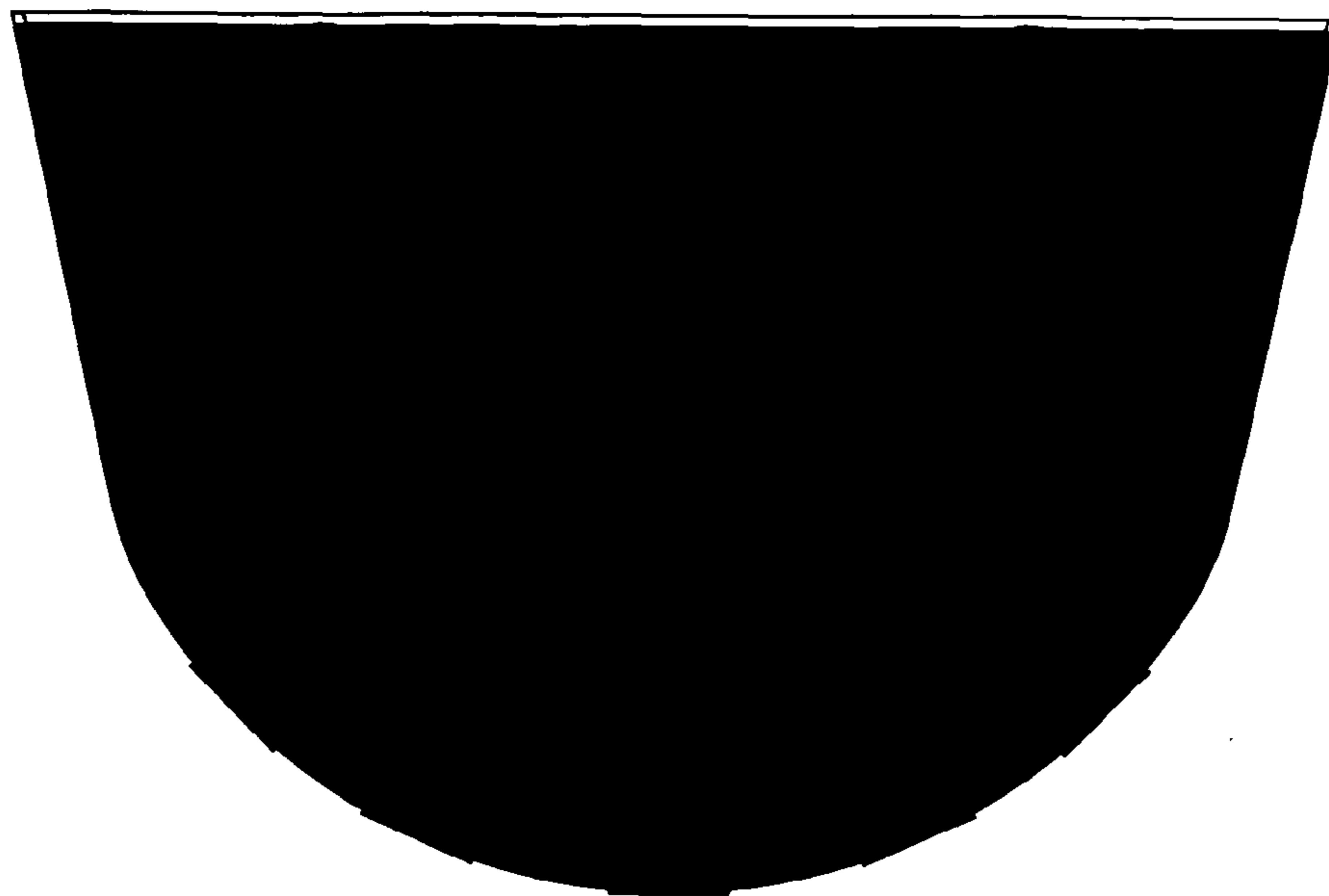


FIG. 21

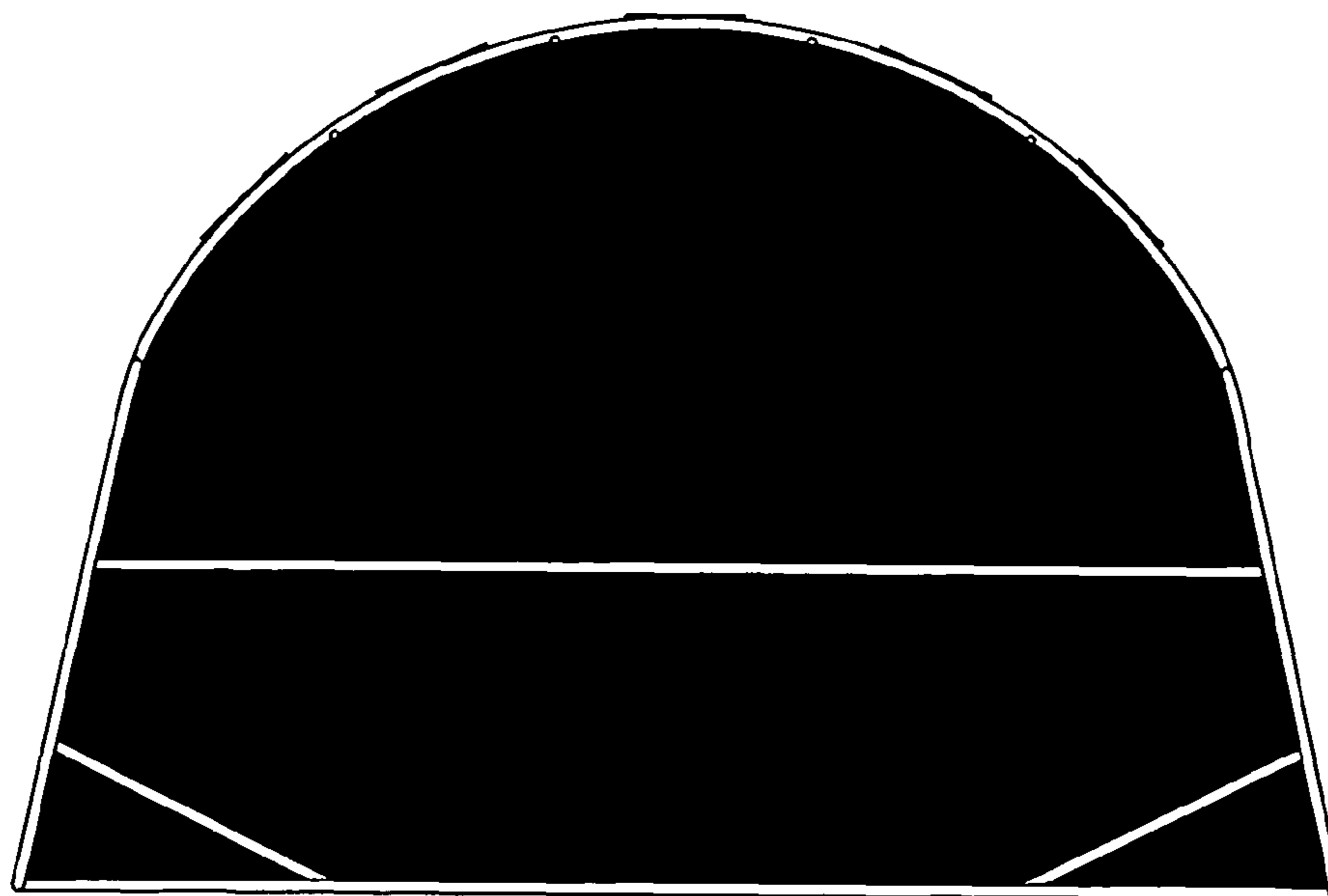


FIG. 22

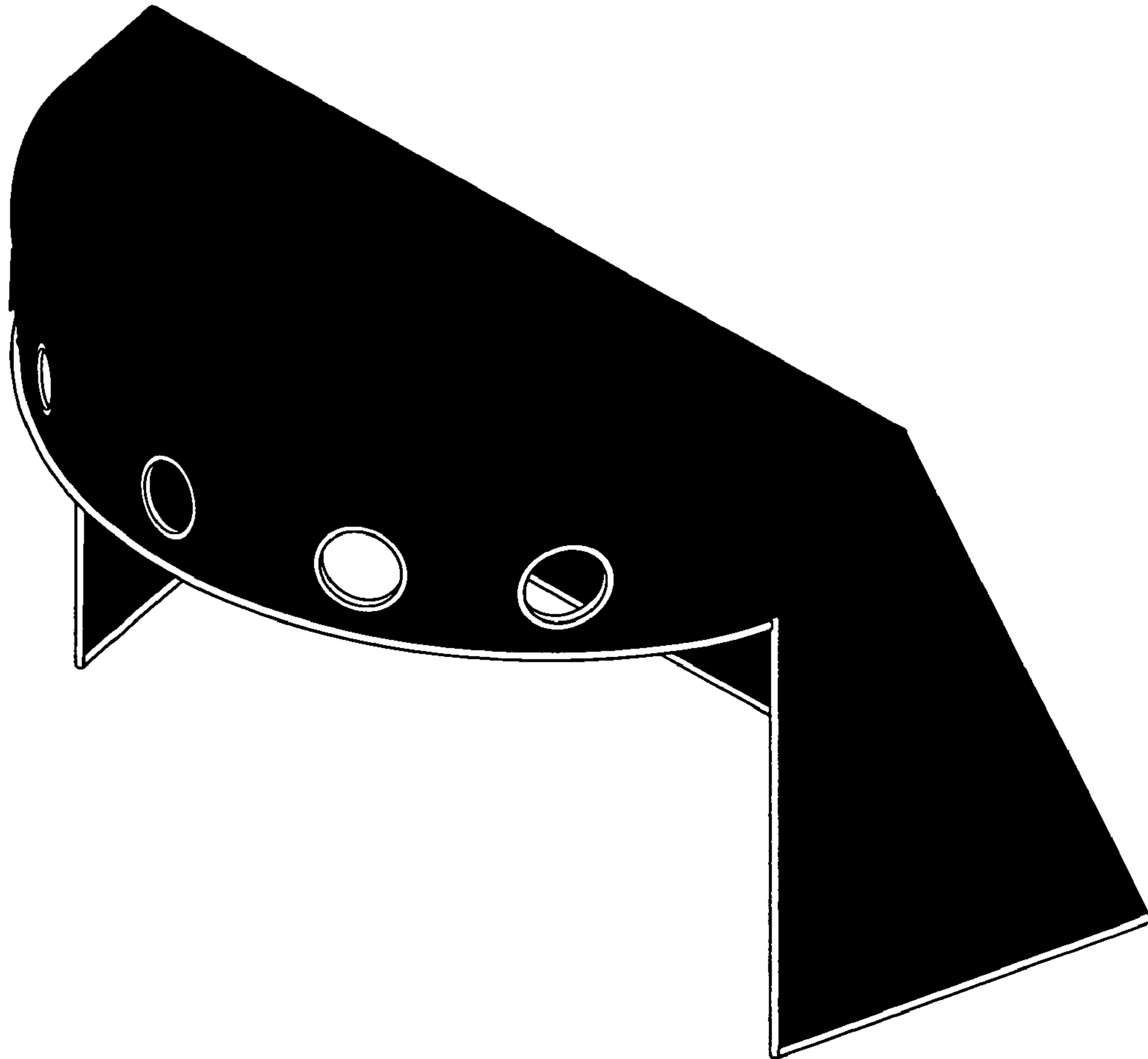


FIG. 23

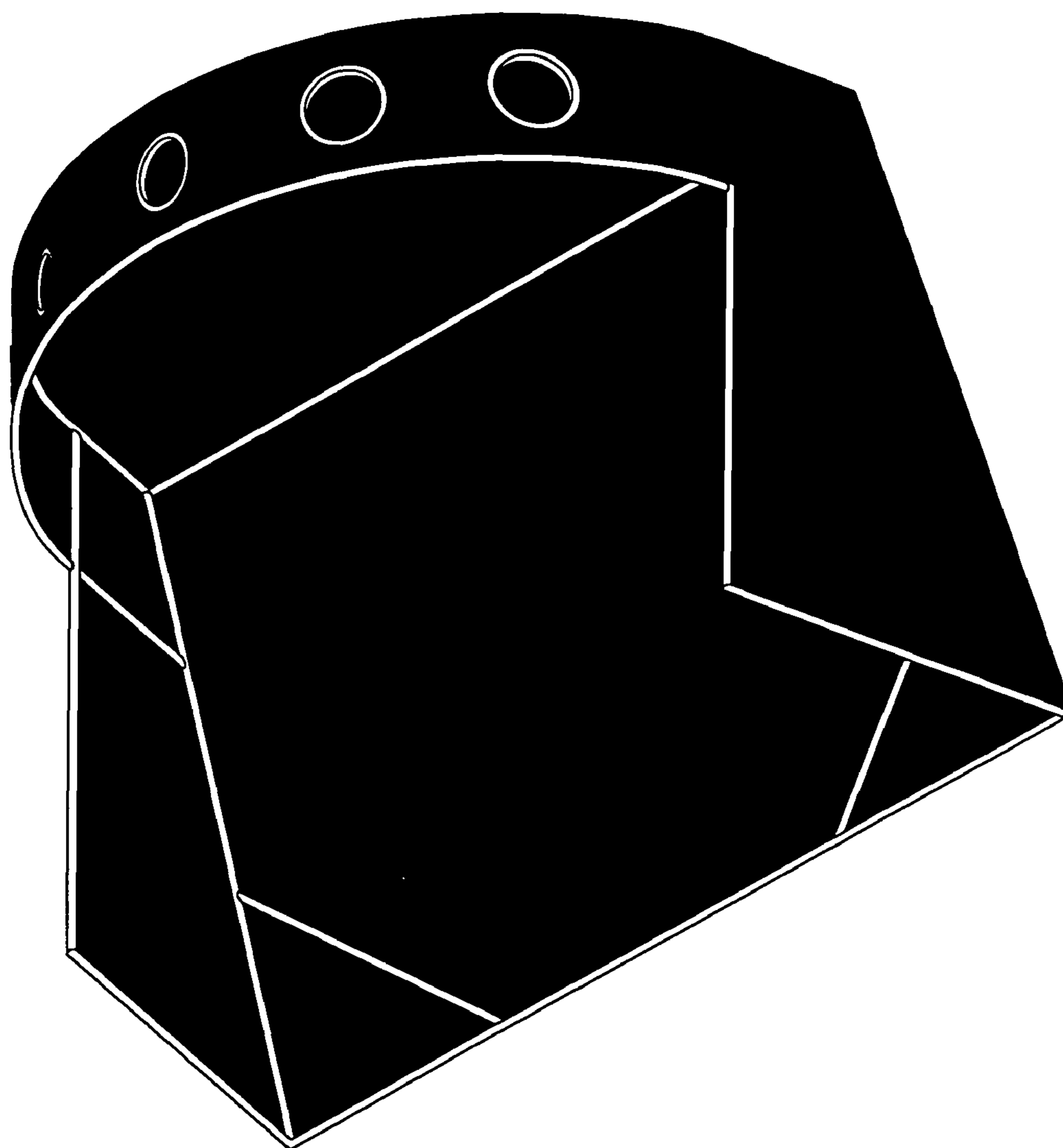


FIG. 24