



US00D622789S

(12) **United States Design Patent**  
**Gillis**

(10) **Patent No.:** **US D622,789 S**

(45) **Date of Patent:** **\*\* Aug. 31, 2010**

(54) **SHIN EXERCISER**

(76) Inventor: **Charles Gillis**, 23 Abbey La.,  
Middleboro, MA (US) 02346

(\*\*) Term: **14 Years**

(21) Appl. No.: **29/314,375**

(22) Filed: **Mar. 25, 2009**

(51) **LOC (9) Cl.** ..... **21-02**

(52) **U.S. Cl.** ..... **D21/685**

(58) **Field of Classification Search** ..... D21/685,  
D21/663, 670, 668; 482/79, 80, 121, 129,  
482/148; 606/237; 601/5, 27, 34; D24/188,  
D24/213, 192

See application file for complete search history.

(56) **References Cited**

**U.S. PATENT DOCUMENTS**

1,509,793	A	9/1924	Thompson	
1,587,749	A *	6/1926	Bierly	482/80
1,671,096	A	5/1928	Anderson	
1,801,769	A	4/1931	Gartner	
1,978,244	A *	10/1934	Bach	606/237
1,989,899	A	2/1935	Vance	
2,374,730	A	5/1945	Catlin	
2,408,160	A	9/1946	Brunner	
2,542,074	A	2/1951	Bierman	
2,830,816	A *	4/1958	Uhl	482/80
D189,011	S	10/1960	Berne	
3,297,320	A	1/1967	Benedetto	
3,863,916	A	2/1975	Cline	
D251,313	S	3/1979	Jinotti	
4,263,902	A *	4/1981	Dieterich	602/30
4,371,160	A	2/1983	Shooltz	
4,501,421	A	2/1985	Kane et al.	
4,669,450	A *	6/1987	Lindberg	601/33
4,813,666	A *	3/1989	Costilow et al.	482/80
D315,002	S *	2/1991	Ward	D21/685
5,035,421	A	7/1991	Scheller	
5,087,036	A *	2/1992	Cooper	482/79
5,100,129	A	3/1992	Porter et al.	

D325,968	S *	5/1992	Nofsinger	D21/685
D348,708	S *	7/1994	Chen	D21/670
5,413,543	A	5/1995	Drago	
D383,813	S *	9/1997	Zoller	D21/685
5,891,002	A	4/1999	Maki	
6,063,013	A	5/2000	Vathappallil	
6,244,992	B1 *	6/2001	James	482/79
6,390,957	B1	5/2002	Knight	
6,758,825	B1	7/2004	Mathew	
6,942,604	B2	9/2005	Teff	
D514,175	S *	1/2006	Sugiyama et al.	D21/685
7,179,206	B2	2/2007	Backes et al.	
7,364,534	B2	4/2008	Zoller et al.	
D596,246	S *	7/2009	Nofsinger	D21/685
7,614,978	B2 *	11/2009	Piaget et al.	482/53
2004/0009850	A1 *	1/2004	Teff	482/79
2007/0275833	A1	11/2007	Ramsey et al.	
2009/0124936	A1 *	5/2009	Branch et al.	600/587

\* cited by examiner

*Primary Examiner*—Susan E Krakower

(74) *Attorney, Agent, or Firm*—John P. McGonagle

(57) **CLAIM**

The ornamental design for a shin exerciser, as shown and described.

**DESCRIPTION**

FIG. 1 is a perspective view of a shin exerciser embodying my new design;

FIG. 2 is a bottom view thereof;

FIG. 3 is a top view thereof;

FIG. 4 is a front view thereof;

FIG. 5 is a side view thereof, the opposite side being a mirror image thereof; and,

FIG. 6 is a rear view thereof.

The broken lines in FIG. 1 showing a foot and leg illustrate environmental structure and form no part of the claimed design.

**1 Claim, 2 Drawing Sheets**

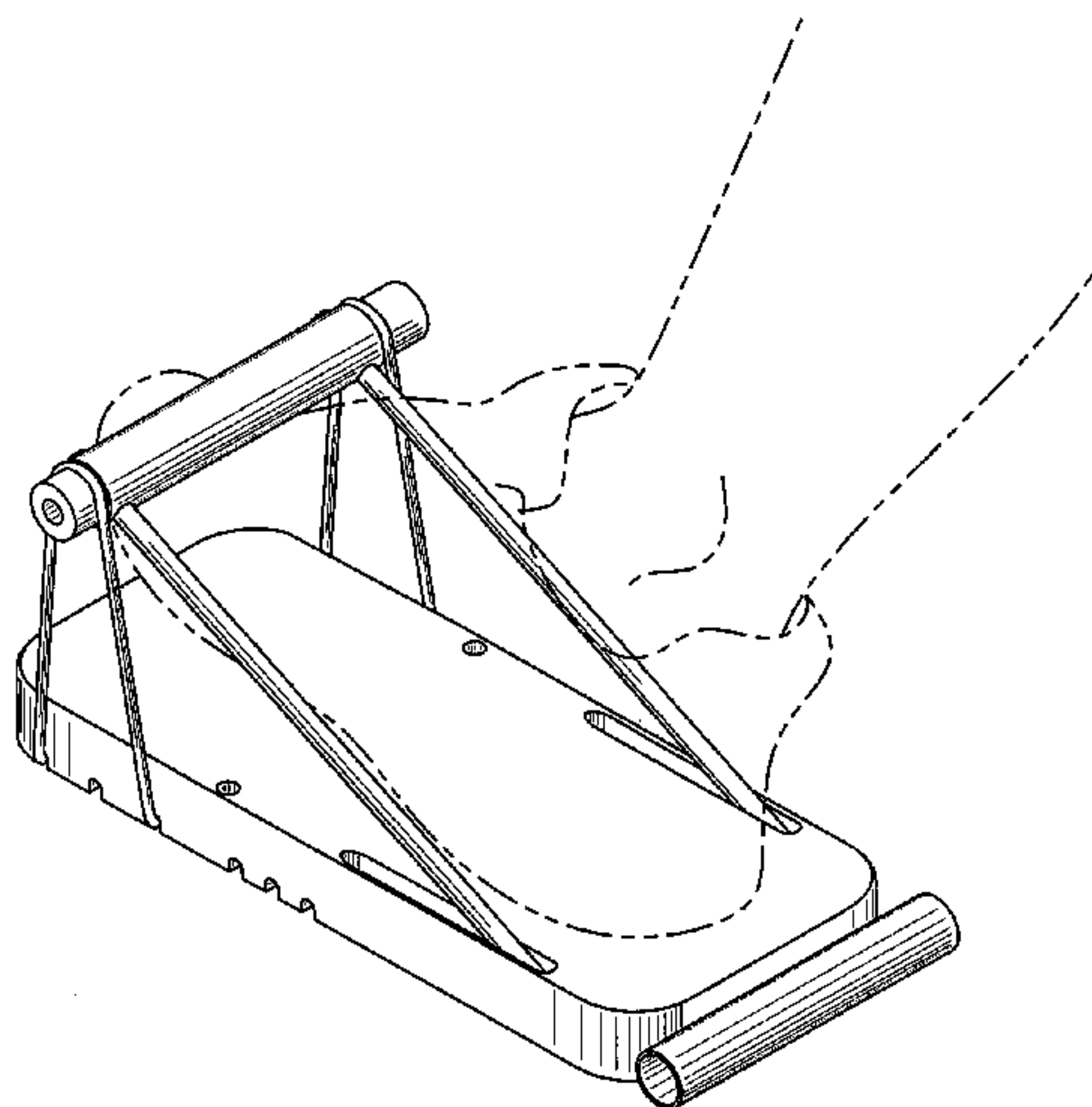


FIG. 1

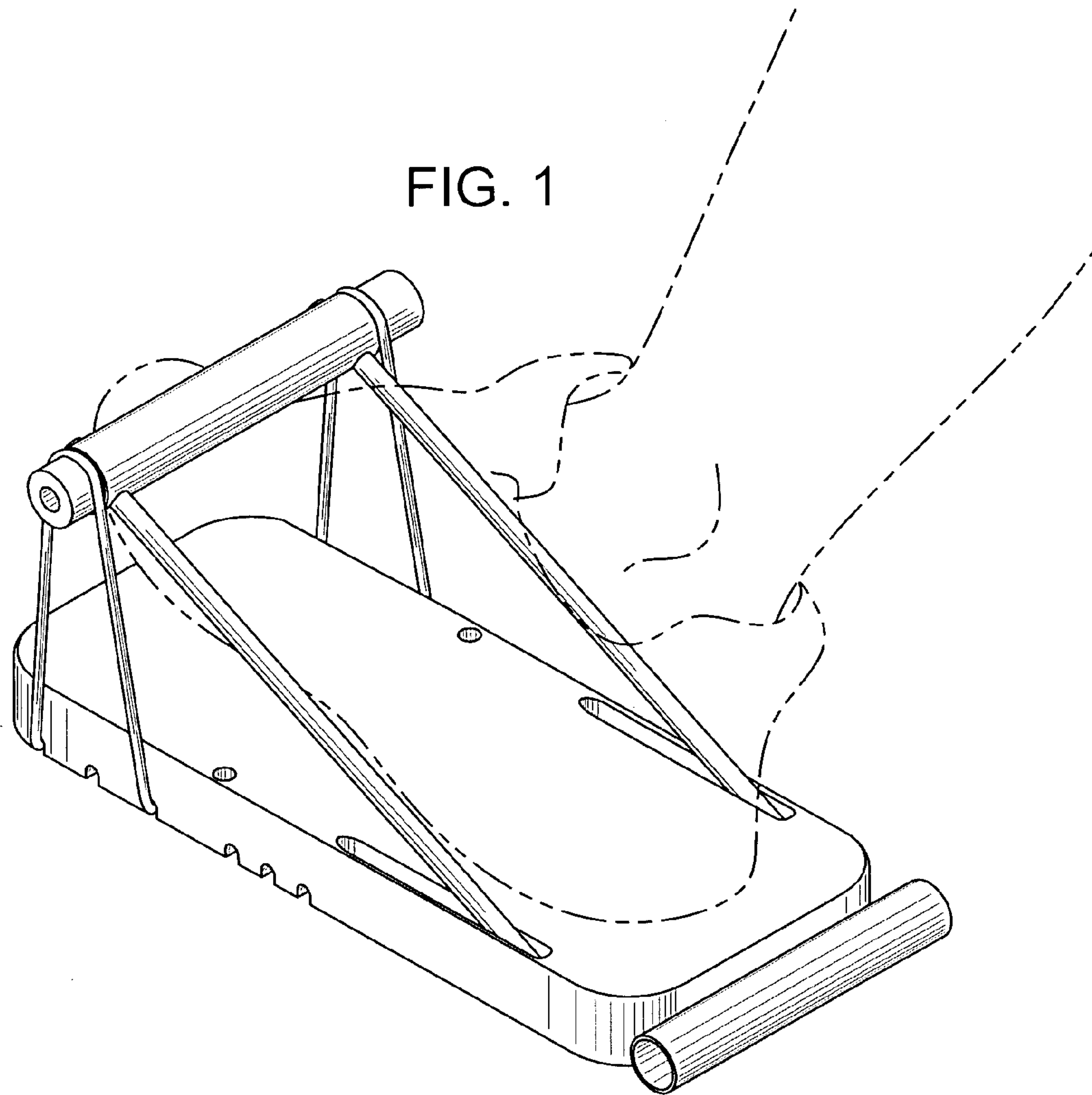
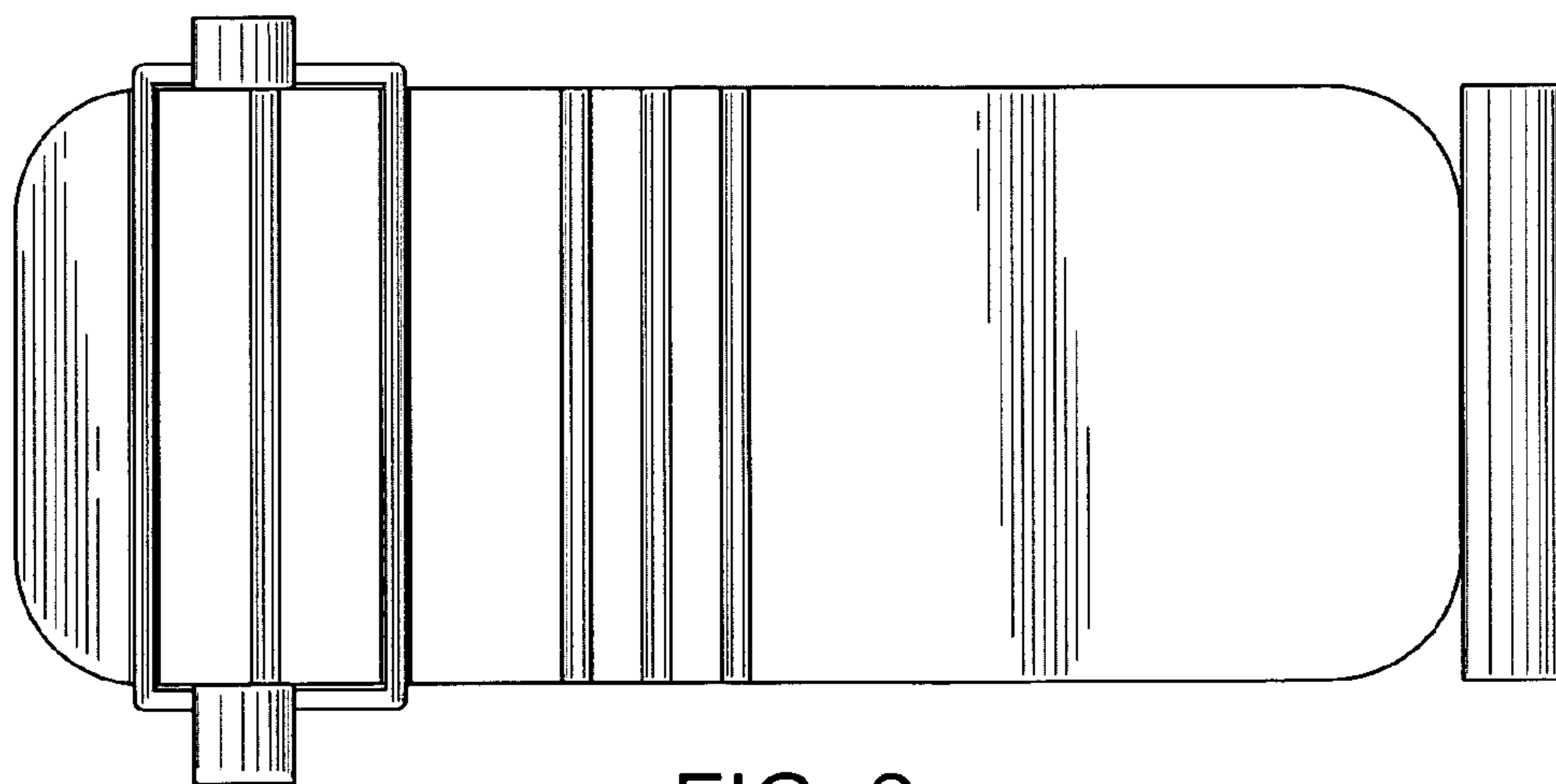


FIG. 2



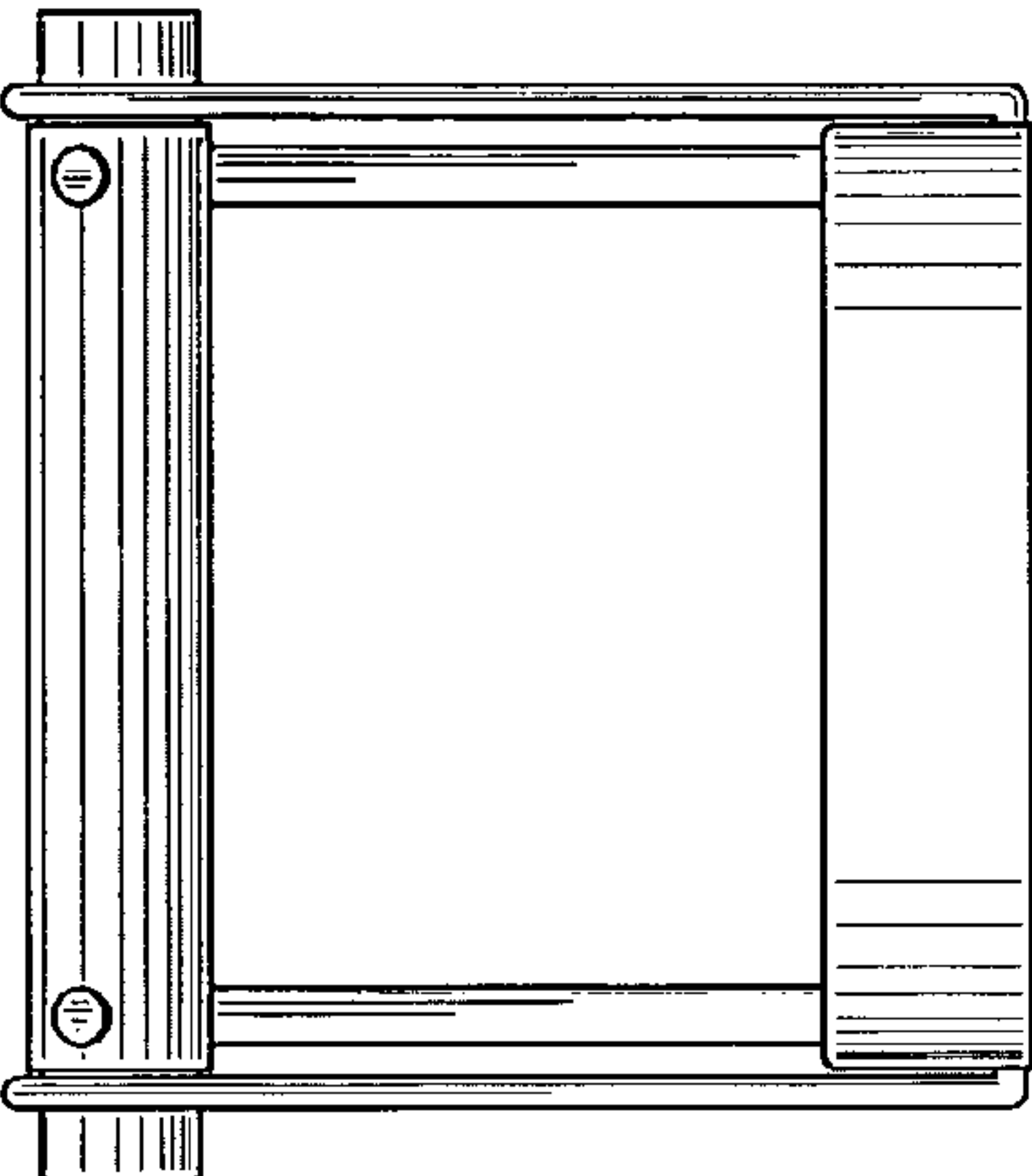


FIG. 4

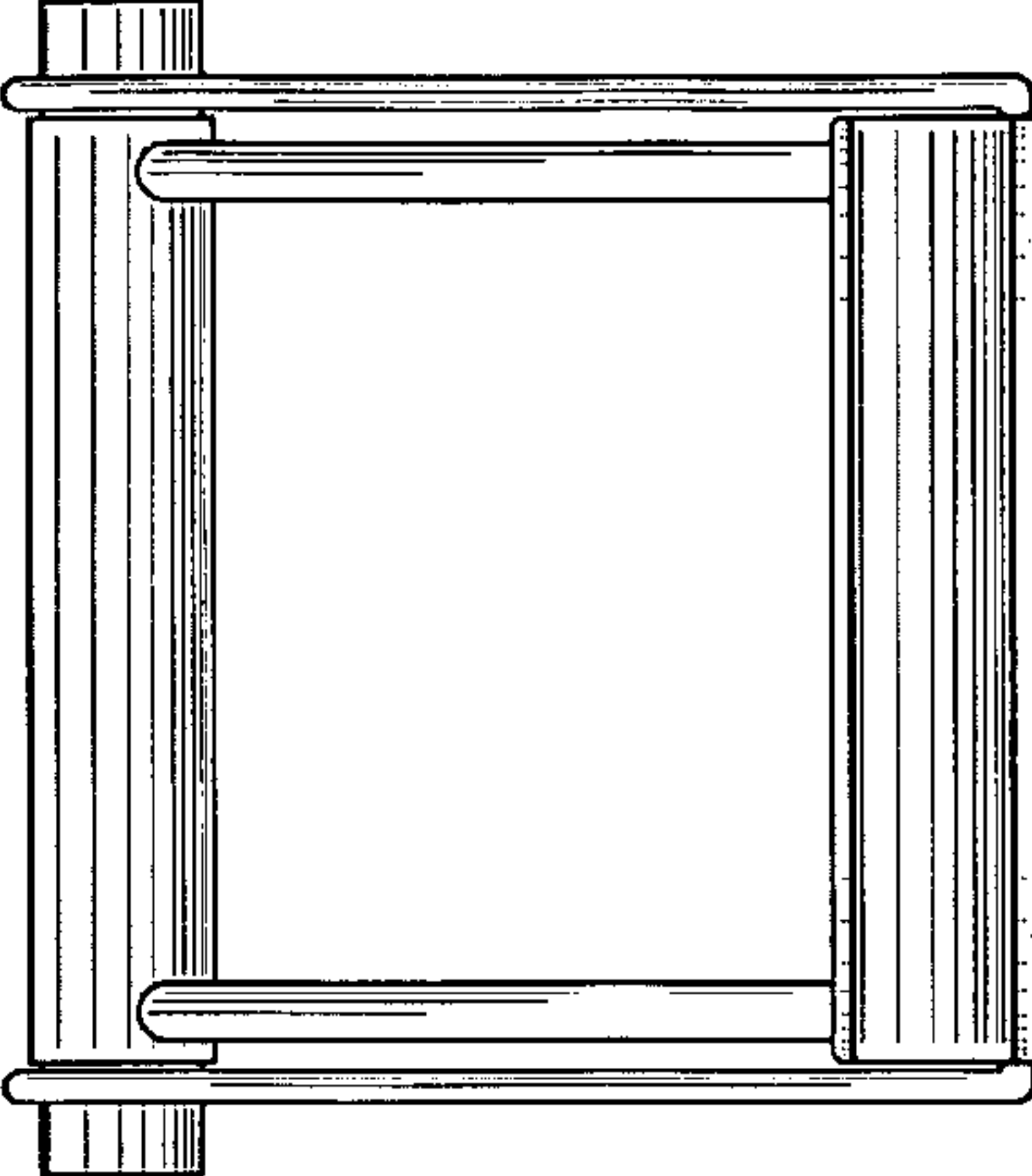


FIG. 6

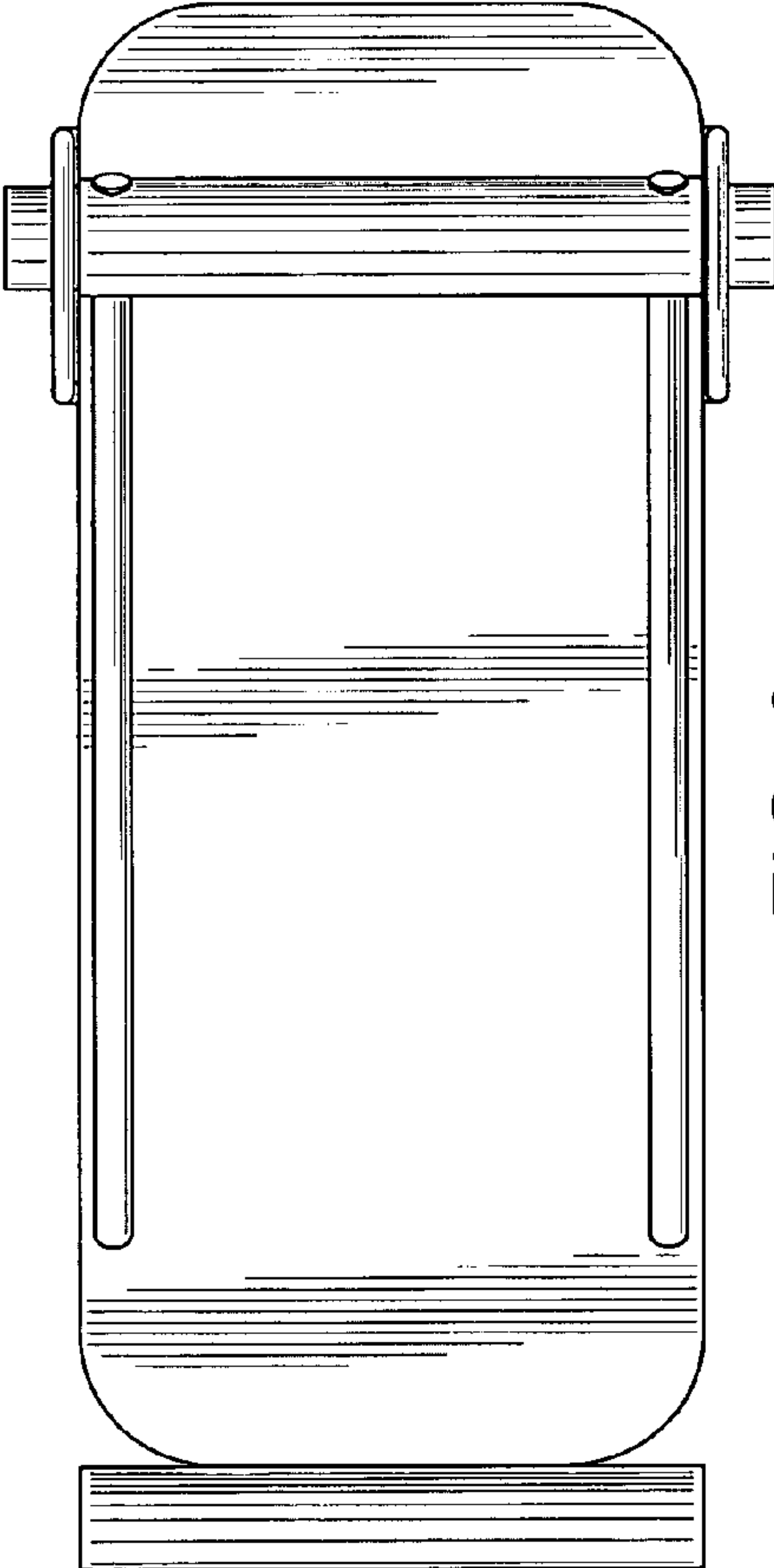


FIG. 3

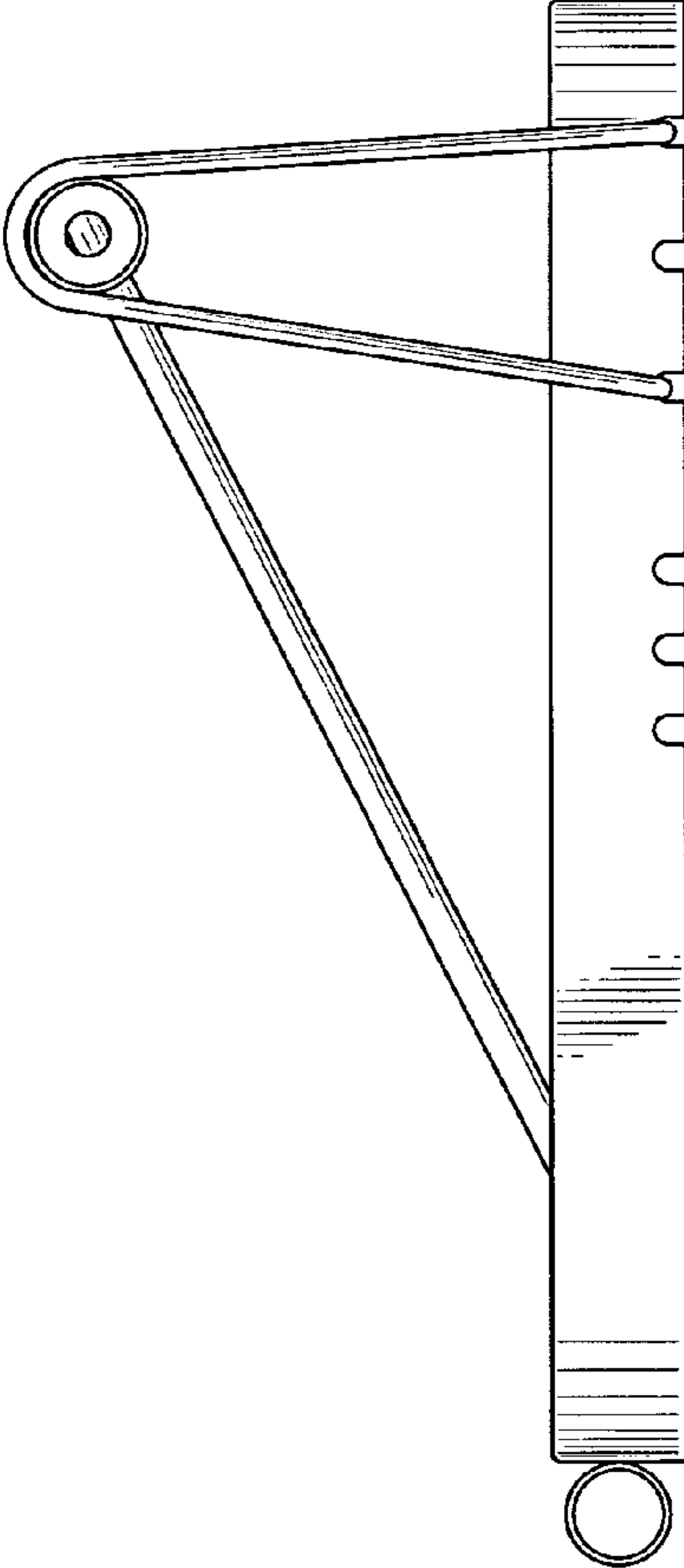


FIG. 5