



US00D622788S

(12) **United States Design Patent**
Khubani

(10) **Patent No.:** **US D622,788 S**

(45) **Date of Patent:** **** Aug. 31, 2010**

(54) **RIDER EXERCISER**

D356,128 S 3/1995 Smith et al.

(76) Inventor: **Poonam Khubani**, c/o International
Edge Inc., 79 Two Bridges Rd., Fairfield,
NJ (US) 07004

(Continued)

(**) Term: **14 Years**

(21) Appl. No.: **29/314,851**

(22) Filed: **May 4, 2009**

(51) **LOC (9) Cl.** **21-02**

(52) **U.S. Cl.** **D21/674**

(58) **Field of Classification Search** D21/662-670,
D21/673-677, 694, 697; 482/51-52, 57-65,
482/95-96, 72

See application file for complete search history.

(56) **References Cited**

U.S. PATENT DOCUMENTS

2,565,348	A *	8/1951	Brockman et al.	601/36
2,642,288	A	6/1953	Bell		
2,924,456	A	2/1960	Miller		
D209,065	S *	10/1967	Weiss	D21/665
D216,903	S *	3/1970	Rubel	D21/665
4,300,760	A	11/1981	Bobroff		
4,856,775	A	8/1989	Colledge et al.		
D344,112	S	2/1994	Smith		
5,299,997	A *	4/1994	Chen	482/96
5,366,428	A *	11/1994	Liao	482/96

OTHER PUBLICATIONS

“HealthRider The Total Body Fitness Machine”, User’s Manual, 16
pages, 2005.

(Continued)

Primary Examiner—Susan E Krakower

(74) *Attorney, Agent, or Firm*—Cooper & Dunham LLP

(57) **CLAIM**

The ornamental design for a rider exerciser, as shown and
described.

DESCRIPTION

FIG. 1 is a perspective view thereof;

FIG. 2 is a side view thereof;

FIG. 3 is the other side view thereof;

FIG. 4 is a front view thereof;

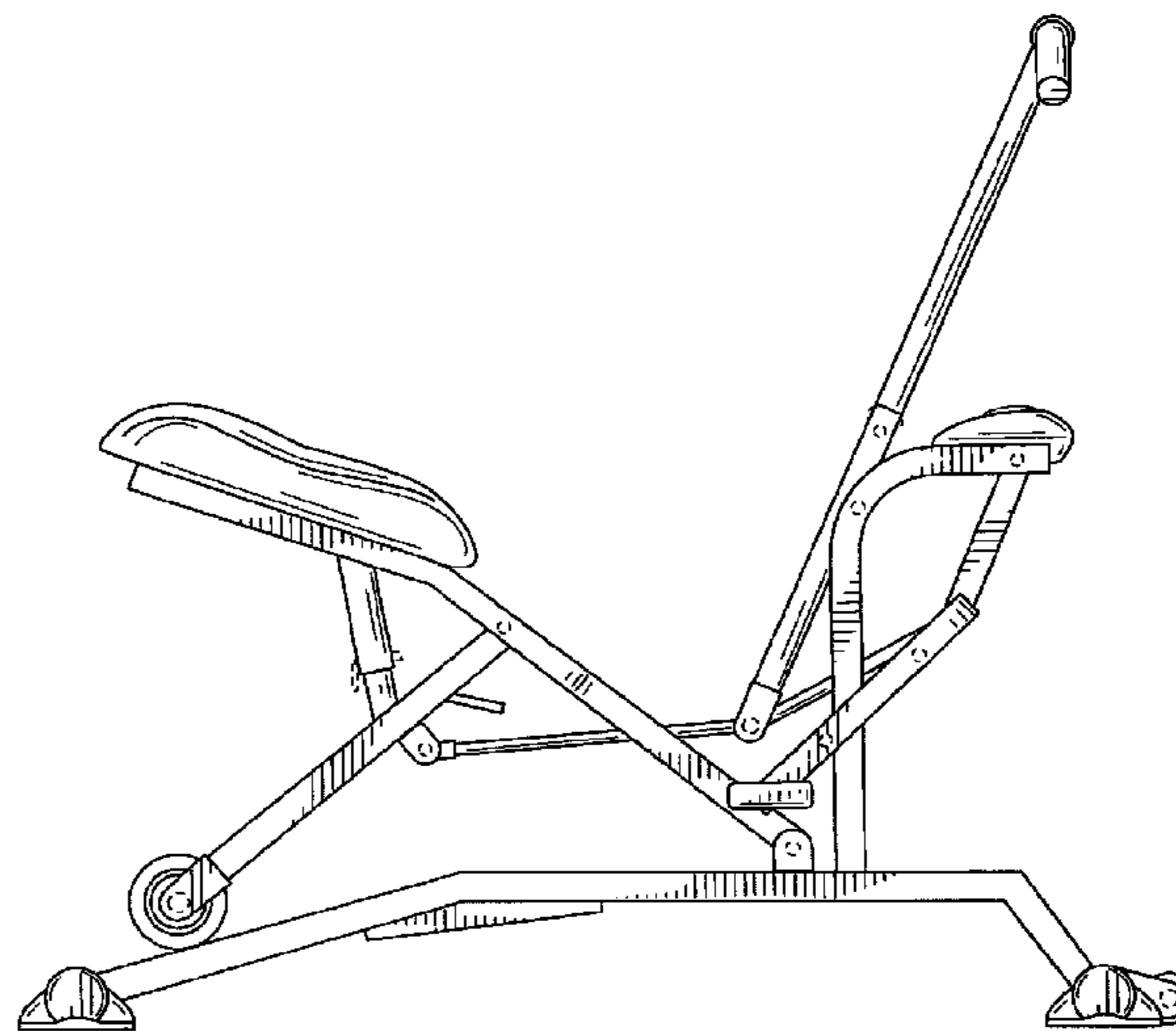
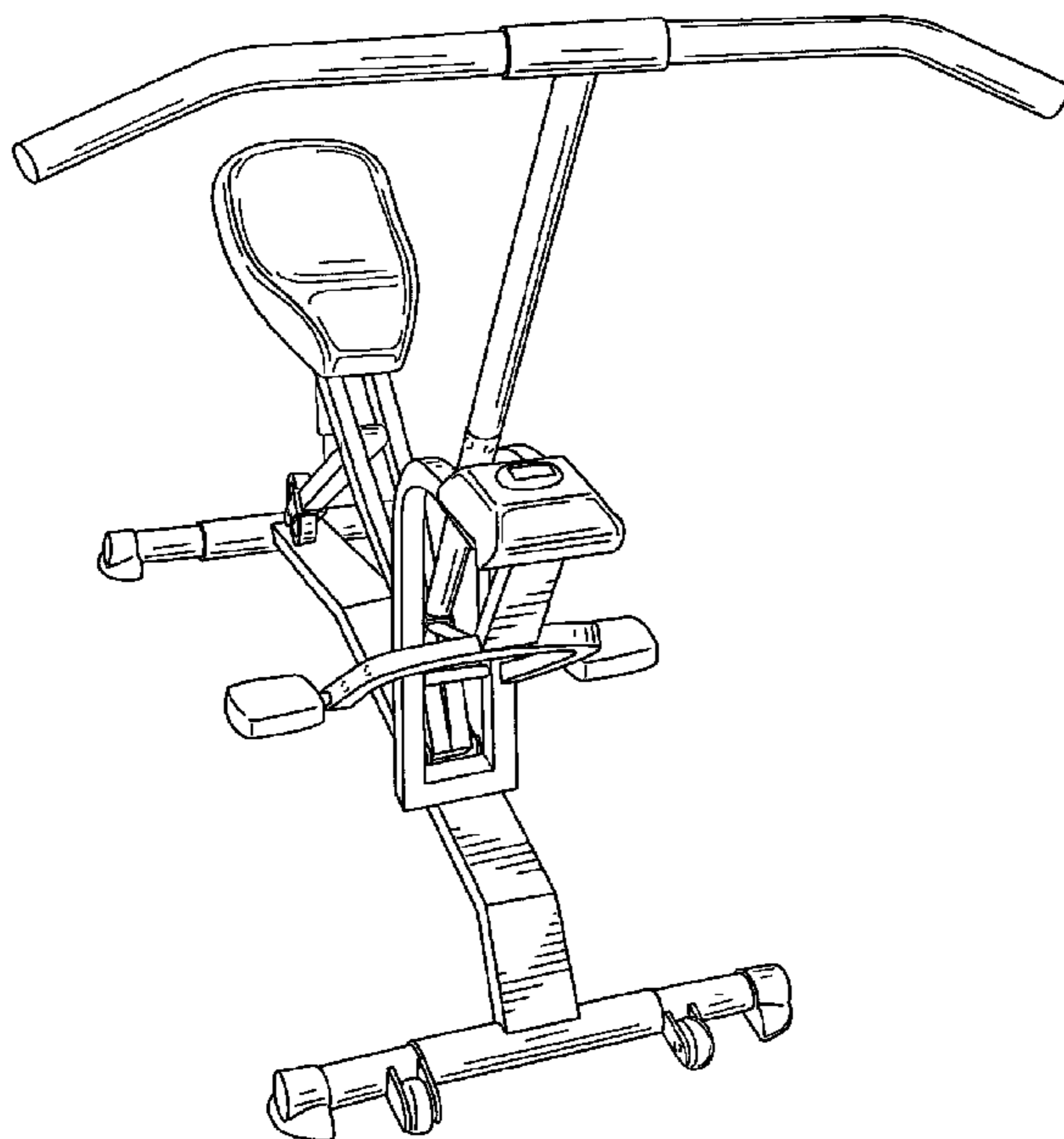
FIG. 5 is a rear view thereof;

FIG. 6 is a top view thereof; and,

FIG. 7 is a bottom view thereof.

The broken lines illustrate portions of the rider exerciser
which form no part of the claimed design.

1 Claim, 6 Drawing Sheets



US D622,788 S

Page 2

U.S. PATENT DOCUMENTS

D358,437 S *	5/1995	Wang et al.	D21/665	5,695,434 A	12/1997	Dalebout et al.	
5,421,795 A *	6/1995	Chen	482/96	5,695,435 A	12/1997	Dalebout et al.	
5,453,066 A *	9/1995	Richter, Jr.	482/96	5,722,917 A	3/1998	Olschansky et al.	
5,458,553 A	10/1995	Wu		D408,874 S *	4/1999	Kuo et al.	D21/670
5,464,378 A	11/1995	Yu		5,997,446 A *	12/1999	Stearns	482/96
D367,689 S	3/1996	Wilkinson et al.		6,149,552 A *	11/2000	Chen	482/72
5,503,608 A *	4/1996	Chang	482/57	6,533,710 B2	3/2003	Lin et al.	
5,507,710 A *	4/1996	Chen	482/72	6,817,968 B2	11/2004	Galbraith et al.	
D372,509 S *	8/1996	Yang	D21/676	6,926,647 B1 *	8/2005	Huang et al.	482/72
5,556,361 A *	9/1996	Liao	482/72	7,052,444 B2	5/2006	Webber	
D375,337 S *	11/1996	Adkins et al.	D21/676	D609,288 S *	2/2010	Khubani	D21/674
5,582,562 A	12/1996	Wang et al.		2006/0217238 A1	9/2006	Liao	
5,584,784 A *	12/1996	Wu	482/95	2006/0252613 A1 *	11/2006	Barnes et al.	482/95
5,584,785 A *	12/1996	Wu	482/95	2007/0129225 A1	6/2007	Hammer	
5,626,542 A	5/1997	Dalebout et al.					
D380,509 S	7/1997	Wilkinson et al.					
D381,379 S *	7/1997	Lee	D21/663				
D384,118 S *	9/1997	Deblauw	D21/665				
5,672,142 A	9/1997	Wu					

OTHER PUBLICATIONS

“HealthRider HR2”, User’s Manual, 16 pages, 2006.
“The HealthRider”, 1 page, <www.healthrider.com>, 2008.
“HealthRider HR2”, 1 page, <www.healthrider.com>, 2008.

* cited by examiner

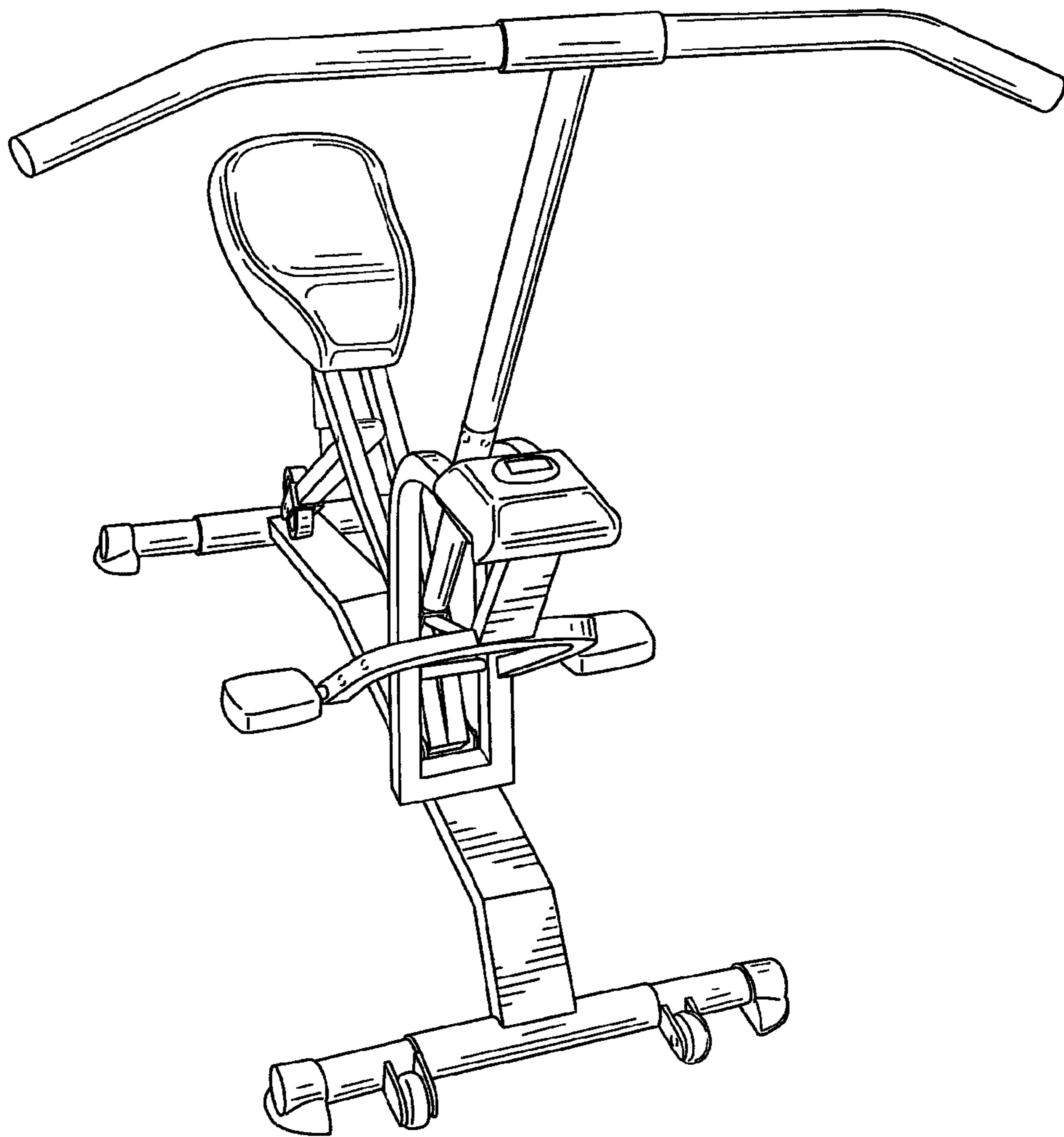


FIG. 1

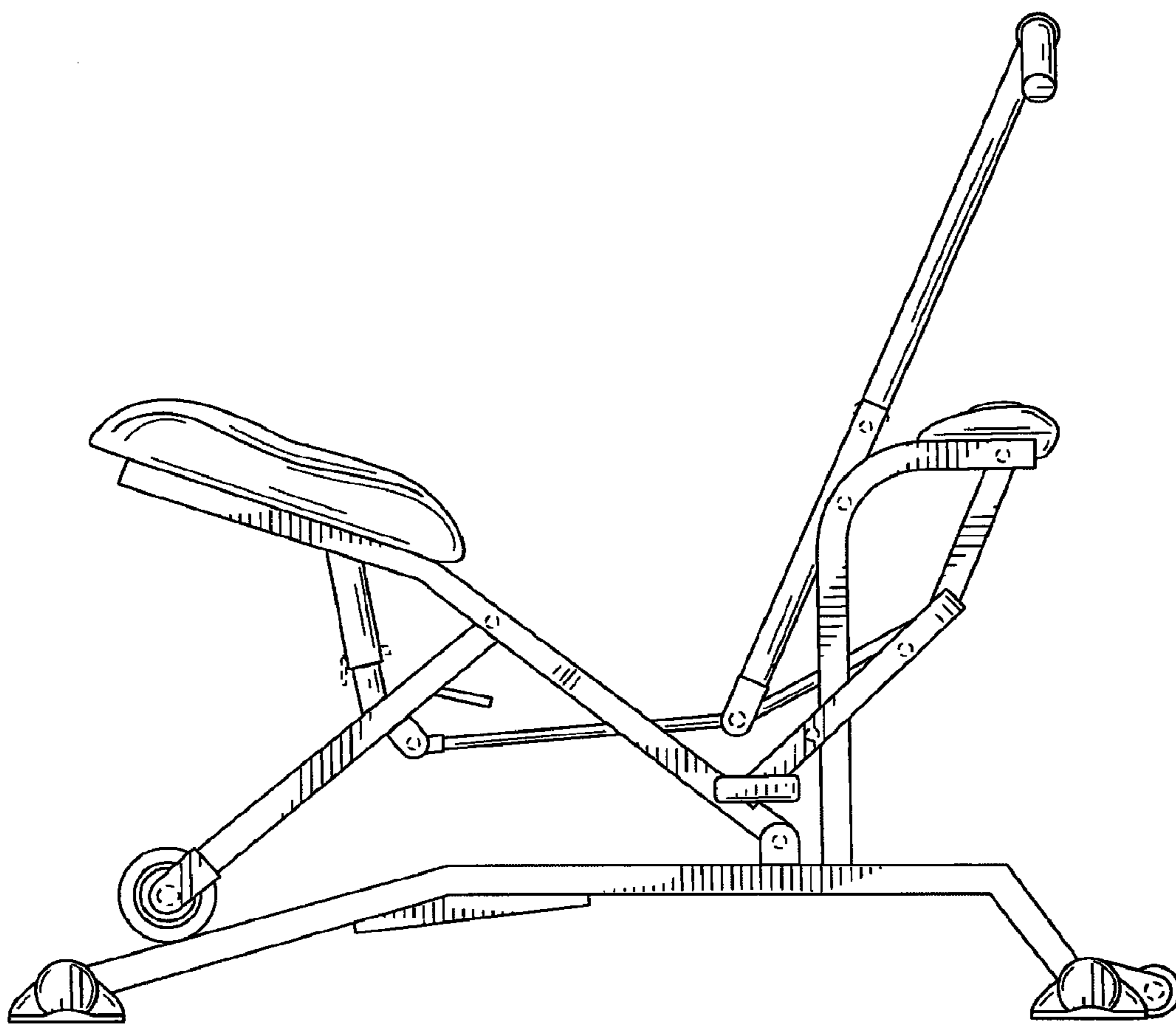


FIG. 2

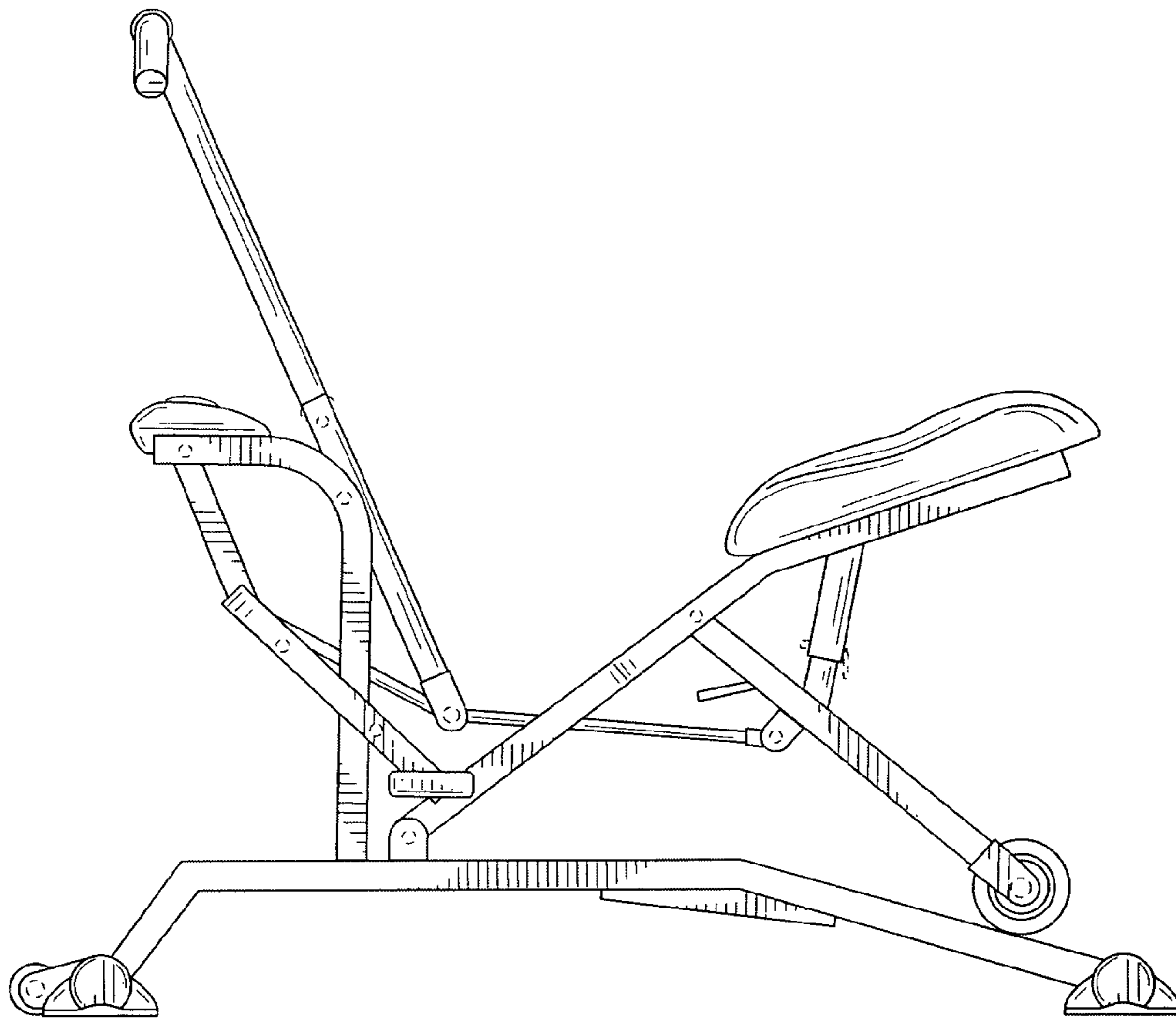


FIG. 3

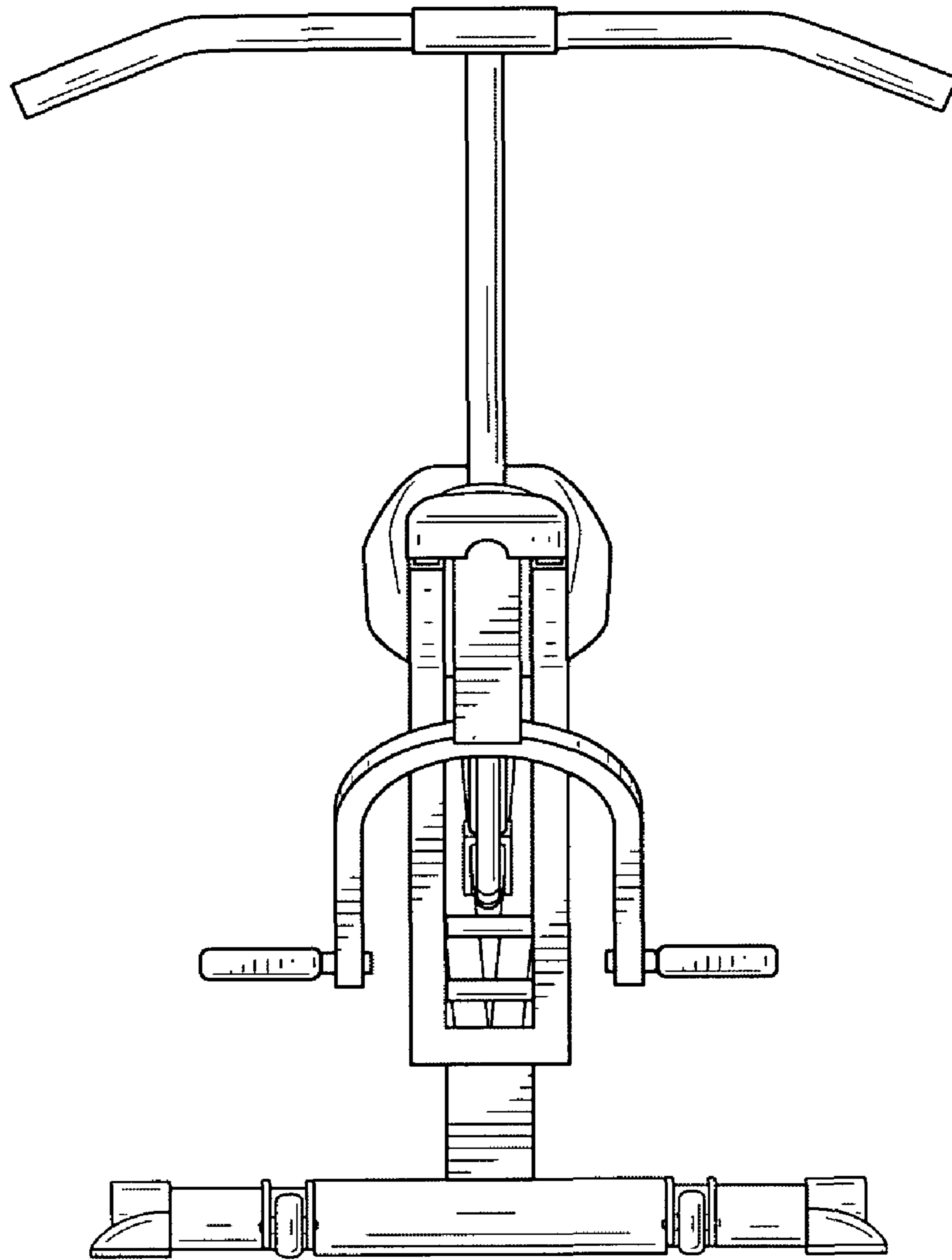


FIG. 4

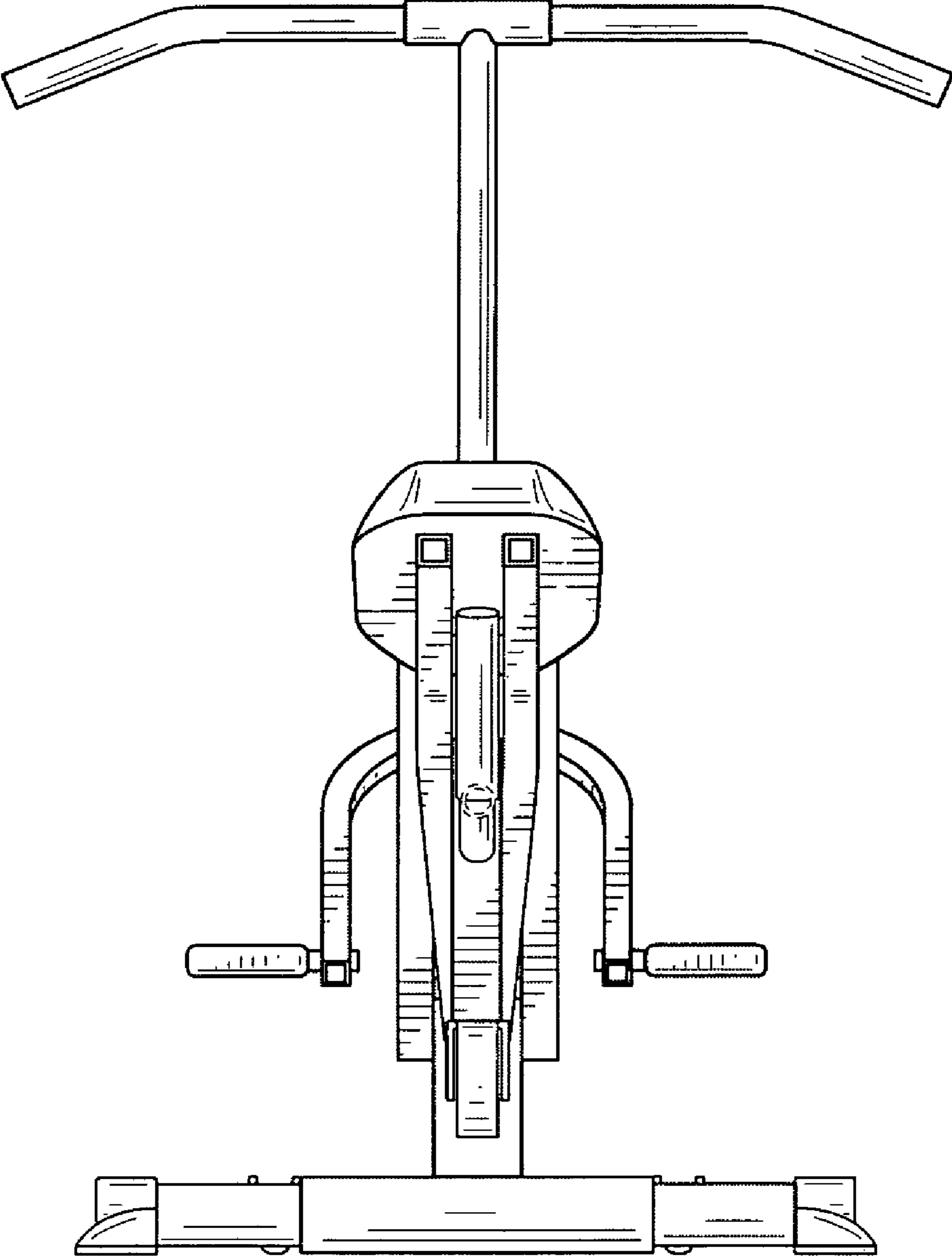


FIG. 5

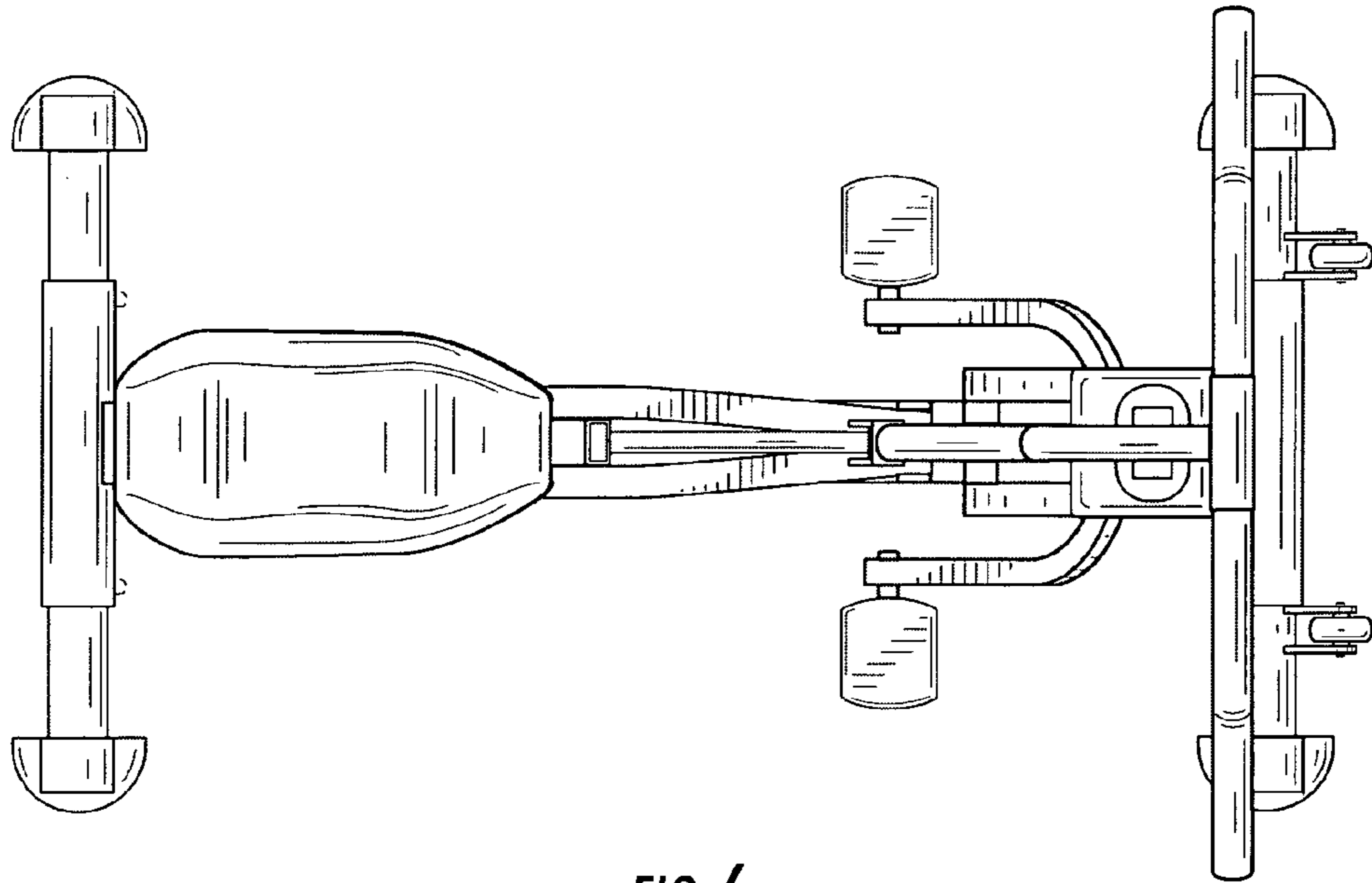


FIG. 6

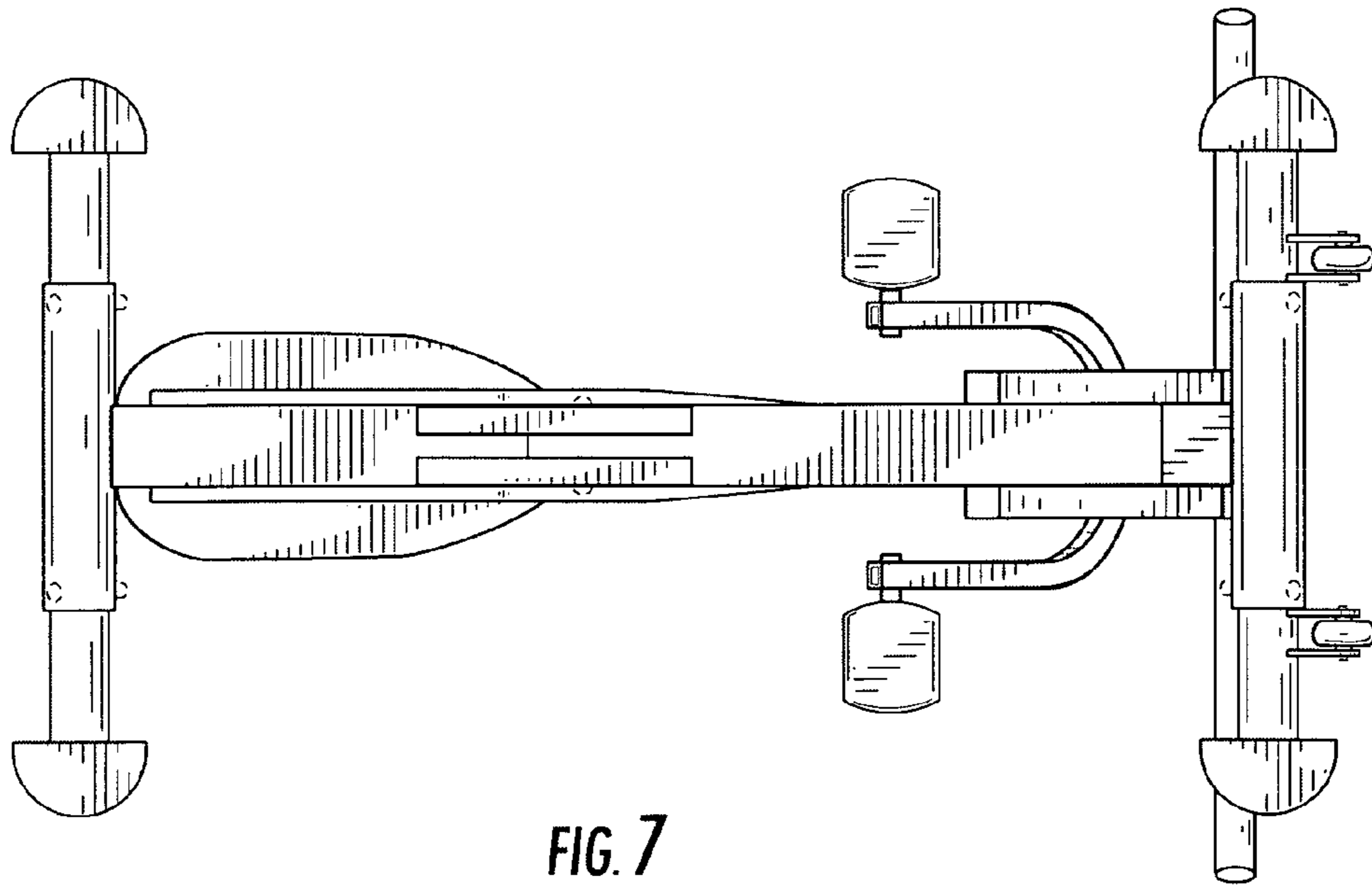


FIG. 7