



US00D622787S

(12) **United States Design Patent**
Masterson et al.

(10) **Patent No.:** **US D622,787 S**

(45) **Date of Patent:** **** Aug. 31, 2010**

(54) **DUAL TRACK EXERCISE DEVICE**

(75) Inventors: **Brian Masterson**, Placerville, CA (US);
Gregory Geiger, Sacramento, CA (US)

(73) Assignee: **Balanced Body, Inc.**, Sacramento, CA
(US)

(**) Term: **14 Years**

(21) Appl. No.: **29/358,889**

(22) Filed: **Apr. 1, 2010**

(51) **LOC (9) Cl.** **21-02**

(52) **U.S. Cl.** **D21/668**

(58) **Field of Classification Search** D21/662,
D21/668, 670, 672-674, 685, 686; 482/70,
482/72, 79, 121, 130-131, 147
See application file for complete search history.

(56) **References Cited**

U.S. PATENT DOCUMENTS

3,559,986	A *	2/1971	Ehrmantraut	482/70
3,582,069	A *	6/1971	Flick et al.	482/70
3,620,530	A *	11/1971	Cosby	482/130
D225,342	S *	12/1972	Flick et al.	D21/668
4,402,506	A *	9/1983	Jones	482/70
4,512,571	A *	4/1985	Hermelin	482/70
4,618,139	A *	10/1986	Haaheim	482/70
4,684,121	A *	8/1987	Nestegard	482/70
4,826,152	A *	5/1989	Lo	482/70
D303,131	S *	8/1989	Lo	D21/668
4,979,731	A *	12/1990	Hermelin	482/70
D315,764	S *	3/1991	Friedebach	D21/668
D328,934	S *	8/1992	Friedebach	D21/668

5,279,530	A *	1/1994	Hess	482/70
5,499,958	A *	3/1996	Hess	482/79
D375,767	S *	11/1996	Camfield et al.	D21/668
2001/0036885	A1 *	11/2001	Castellot et al.	482/79
2009/0098983	A1 *	4/2009	Hoffman	482/70
2010/0016131	A1 *	1/2010	Hoffman	482/121

* cited by examiner

Primary Examiner—Susan E Krakower

(74) *Attorney, Agent, or Firm*—Greenberg Traurig, LLP

(57) **CLAIM**

The ornamental design for a dual track exercise device, as shown and described.

DESCRIPTION

FIG. 1 is an upper perspective view of a dual track exercise device showing our new design. The broken lines show portions illustrating environmental structure of the device that form no part of the claimed design.

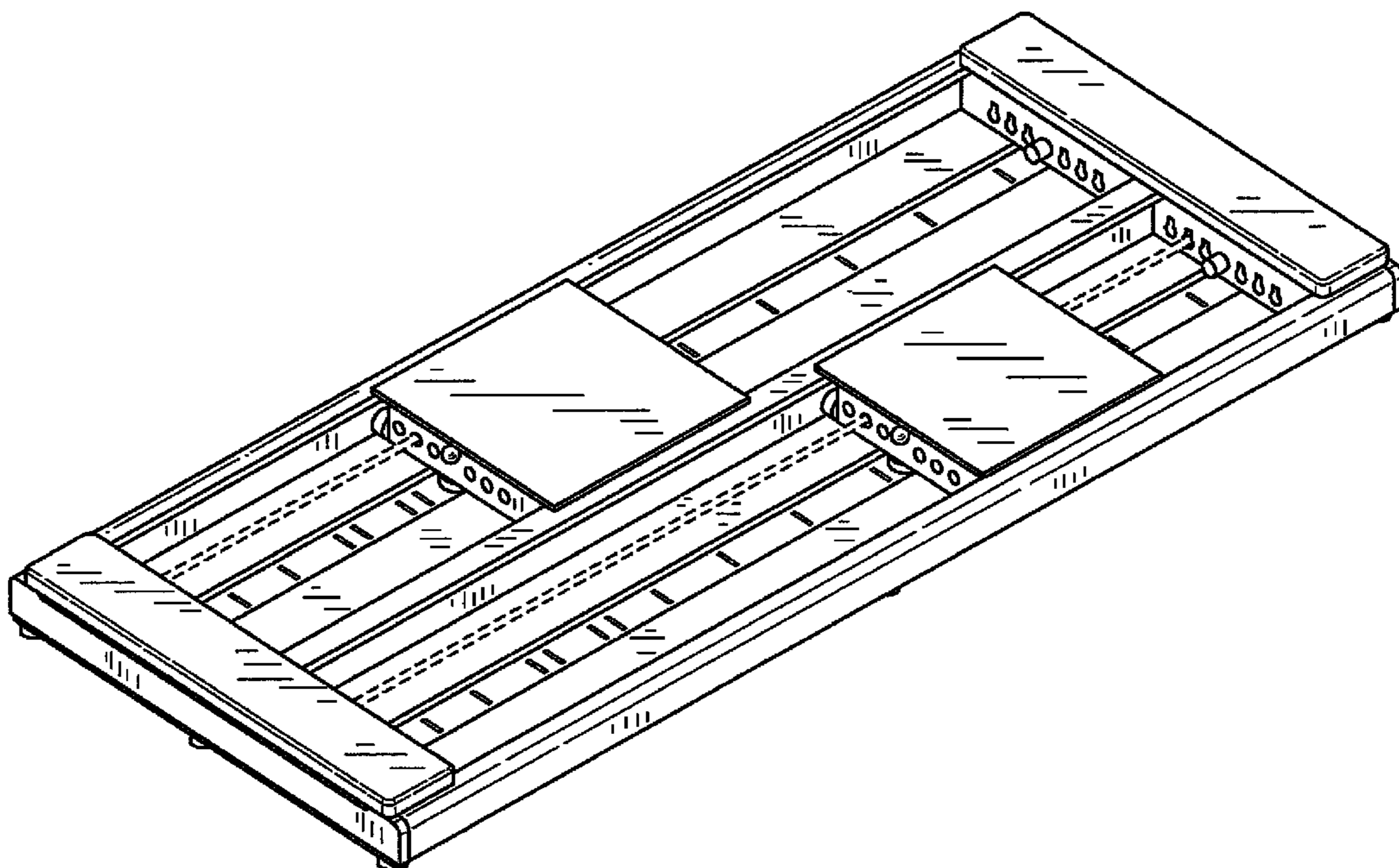
FIG. 2 is a top plan view of my new design. The broken lines show portions illustrating environmental structure of the device that form no part of the claimed design.

FIG. 3 is a side elevational view of the device shown in FIGS. 1 and 2, the opposite side elevational view being identical thereto.

FIG. 4 is an end elevational view of the device shown in FIGS. 1 and 2, and the opposite end elevational view being identical thereto; and,

FIG. 5 is a bottom plan view of the device shown in FIGS. 1 and 2.

1 Claim, 4 Drawing Sheets



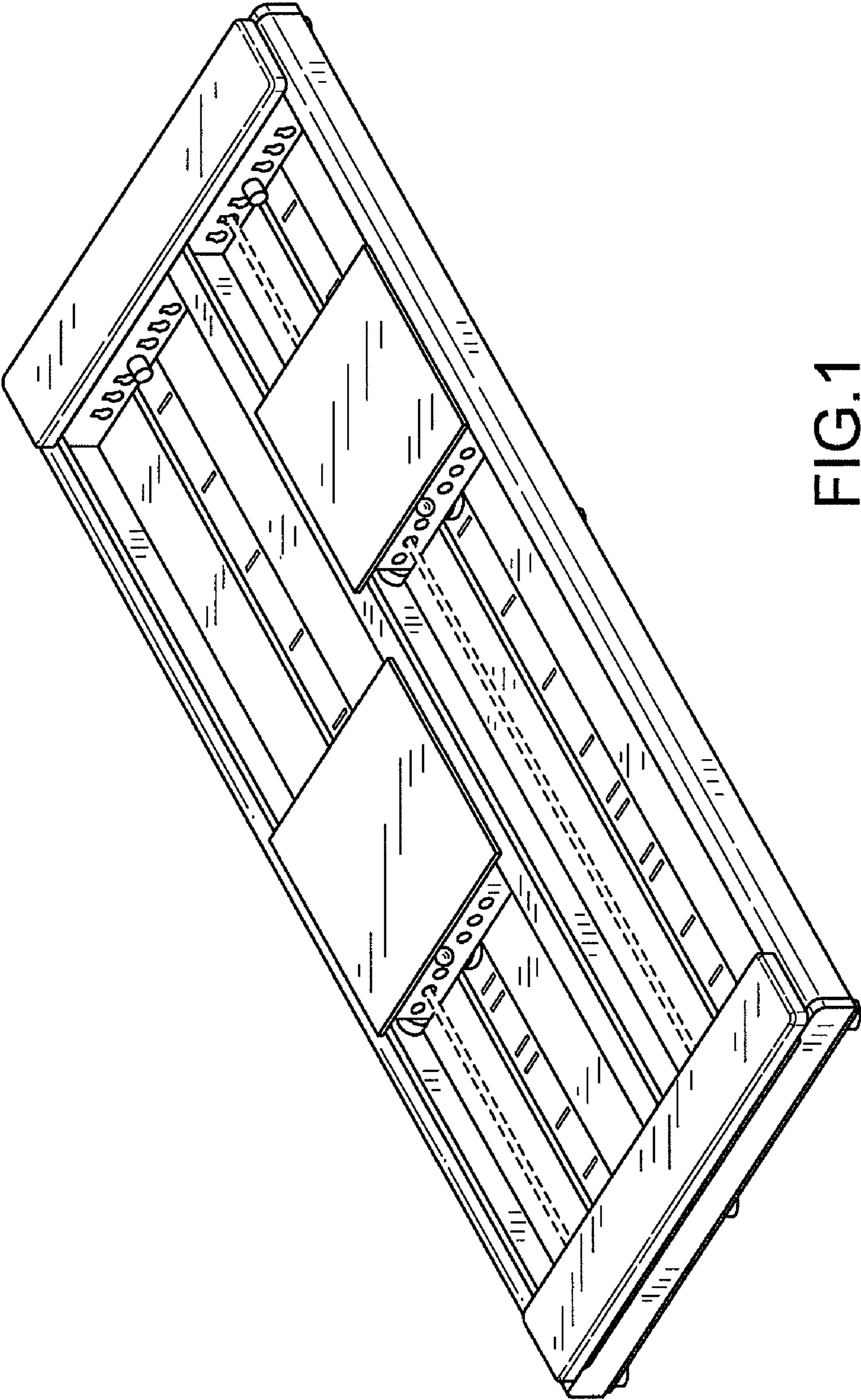


FIG.1

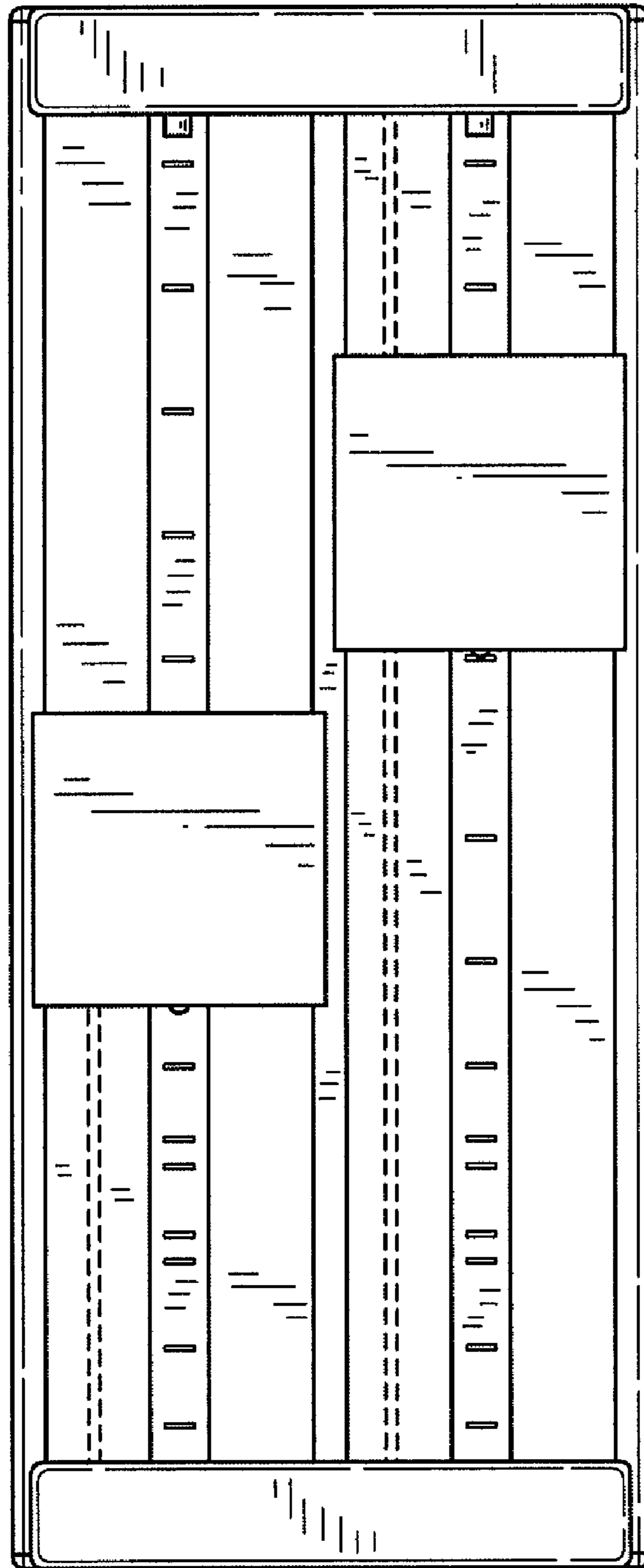


FIG.2

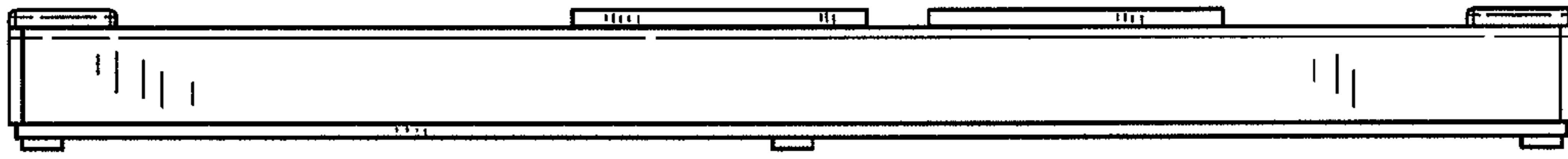


FIG.3

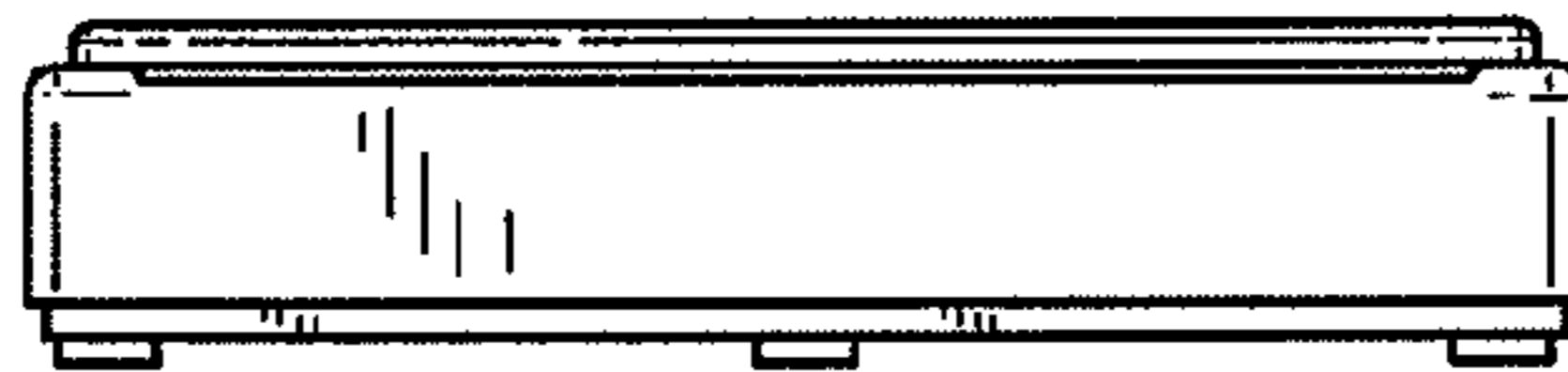


FIG.4

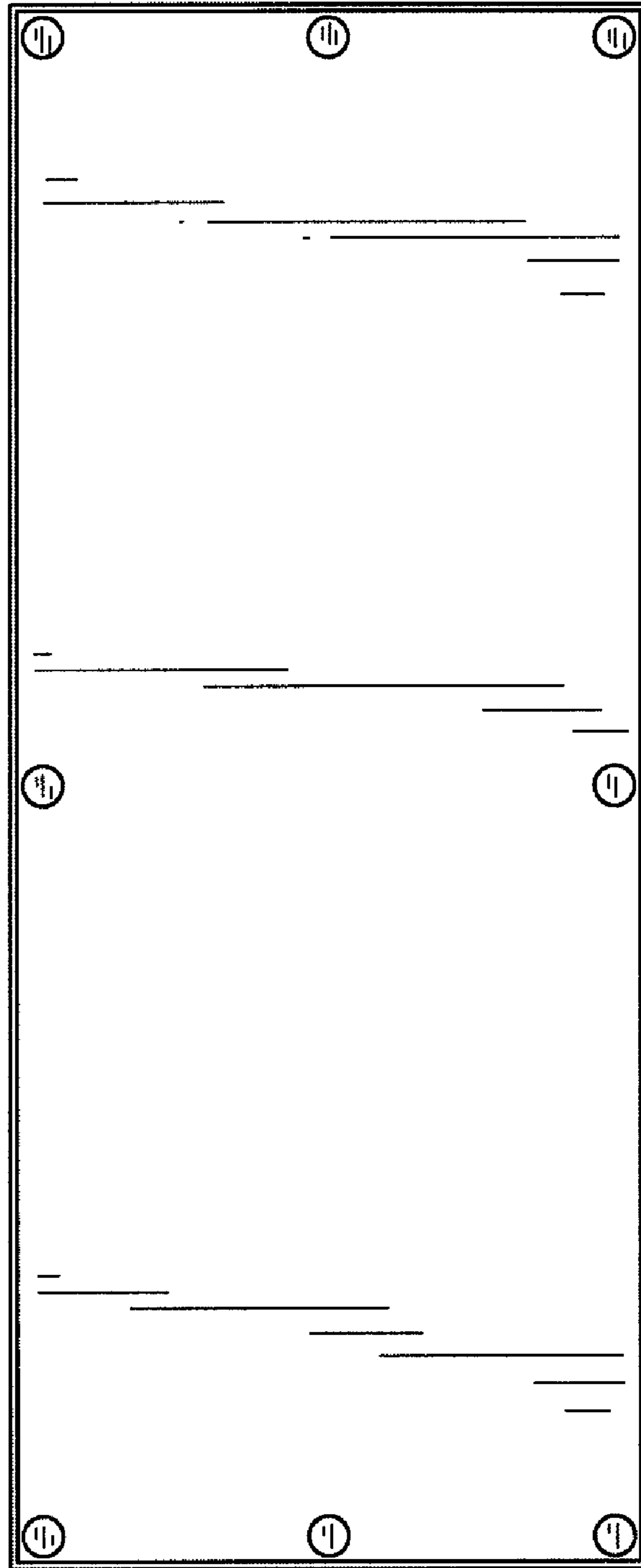


FIG.5