



US00D622786S

(12) **United States Design Patent**  
**Lee**

(10) **Patent No.:** **US D622,786 S**

(45) **Date of Patent:** **\*\* Aug. 31, 2010**

(54) **ROBOT**

D561,795 S \* 2/2008 Mitchell ..... D15/199  
D561,796 S \* 2/2008 Mitchell ..... D15/199  
D593,164 S \* 5/2009 Sonoda ..... D21/578

(75) Inventor: **Wen-Hsien Lee**, Taipei County (TW)

(73) Assignee: **CIC Components Ind. Co., Ltd.**, Hsin Tien, Taipei County (TW)

(\*\*) Term: **14 Years**

(21) Appl. No.: **29/352,581**

(22) Filed: **Dec. 22, 2009**

(51) **LOC (9) Cl.** ..... **21-01**

(52) **U.S. Cl.** ..... **D21/578**

(58) **Field of Classification Search** ..... D21/578-583,  
D21/621, 622; 446/268, 360, 361, 376, 379,  
446/382-384; D15/199

See application file for complete search history.

(56) **References Cited**

**U.S. PATENT DOCUMENTS**

D272,933 S \* 3/1984 Murakami ..... D21/578  
D306,618 S \* 3/1990 Doi ..... D21/578  
D306,622 S \* 3/1990 Doi ..... D21/578  
D389,203 S \* 1/1998 Glickman et al. .... D21/578  
D534,971 S \* 1/2007 Chung ..... D21/578  
D555,214 S \* 11/2007 Wong ..... D21/578  
D561,213 S \* 2/2008 Mitchell ..... D15/199  
D561,214 S \* 2/2008 Mitchell ..... D15/199  
D561,215 S \* 2/2008 Mitchell ..... D15/199

\* cited by examiner

*Primary Examiner*—Janice E Seeger

*Assistant Examiner*—Zenia I Bennett

(74) *Attorney, Agent, or Firm*—Muncy, Geissler, Olds & Lowe, PLLC

(57) **CLAIM**

The ornamental design for a robot, as shown and described.

**DESCRIPTION**

FIG. 1 is a perspective view of a robot showing my new design thereof;

FIG. 2 is a right side elevational view thereof;

FIG. 3 is a top plan view thereof;

FIG. 4 is a front side elevational view thereof;

FIG. 5 is a bottom plan view thereof;

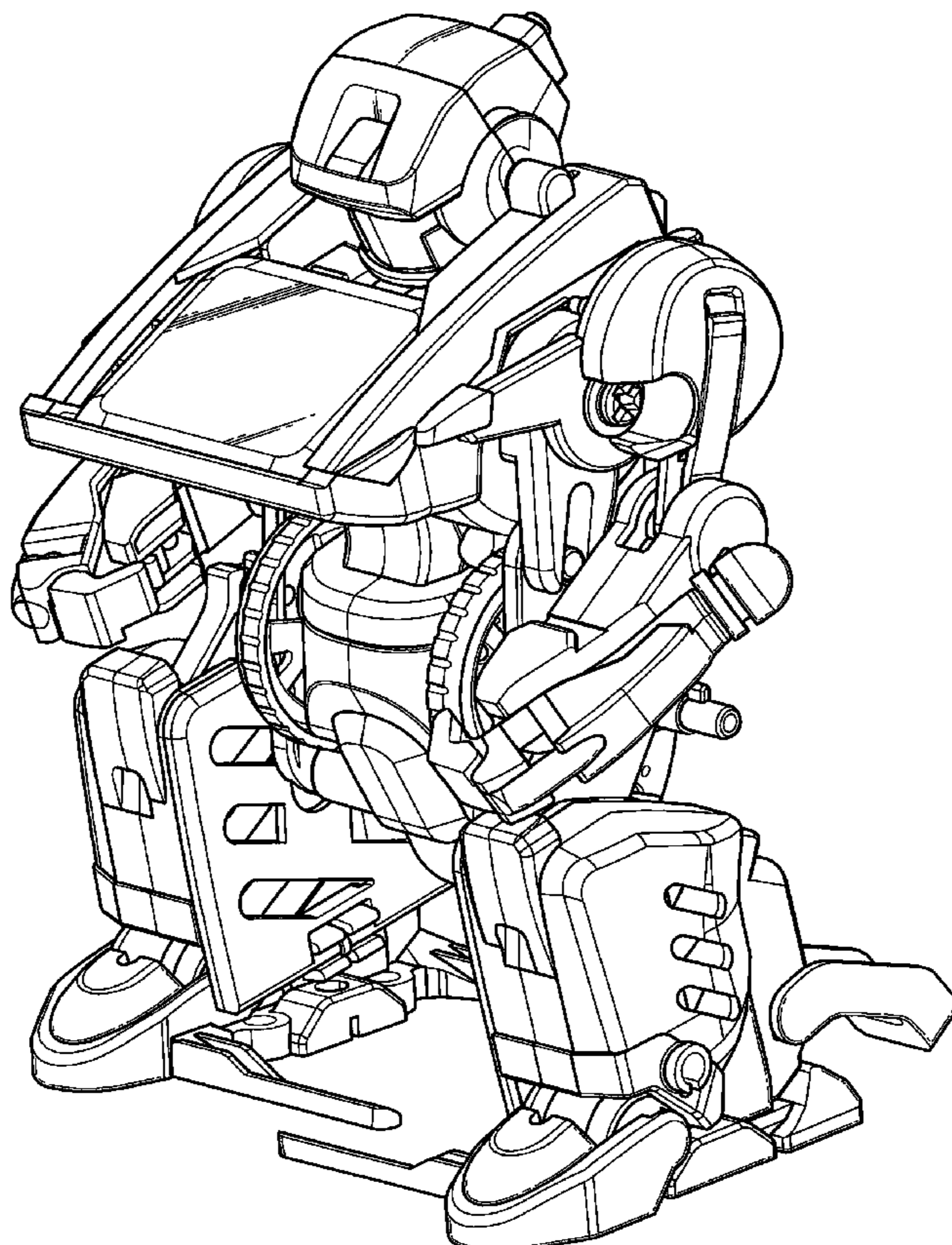
FIG. 6 is a left side elevational view thereof;

FIG. 7 is a rear side elevational view thereof; and,

FIG. 8 is another perspective view thereof.

The broken lines in the drawing are for illustrative purposes only and form no part of the claimed design.

**1 Claim, 8 Drawing Sheets**



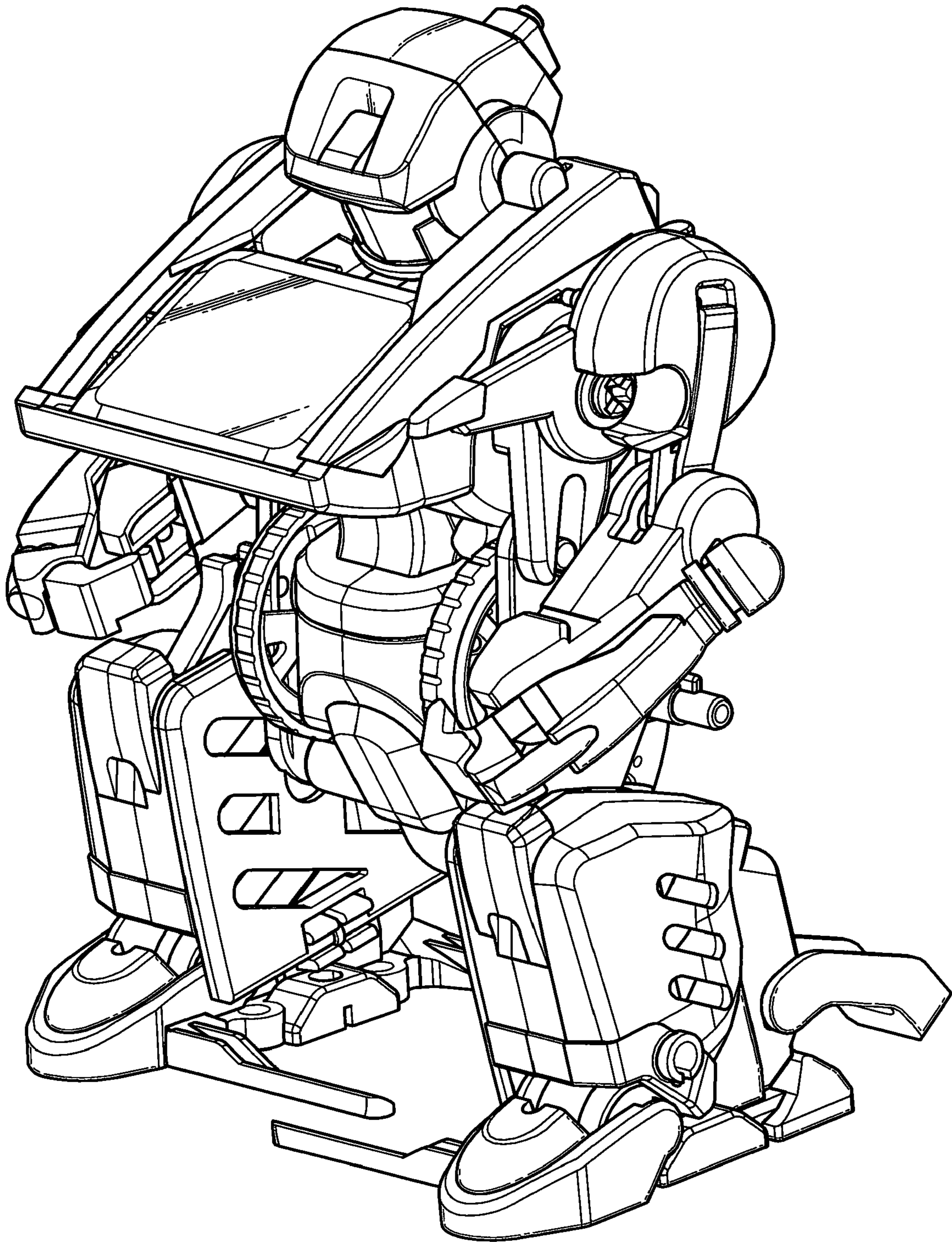


Fig. 1

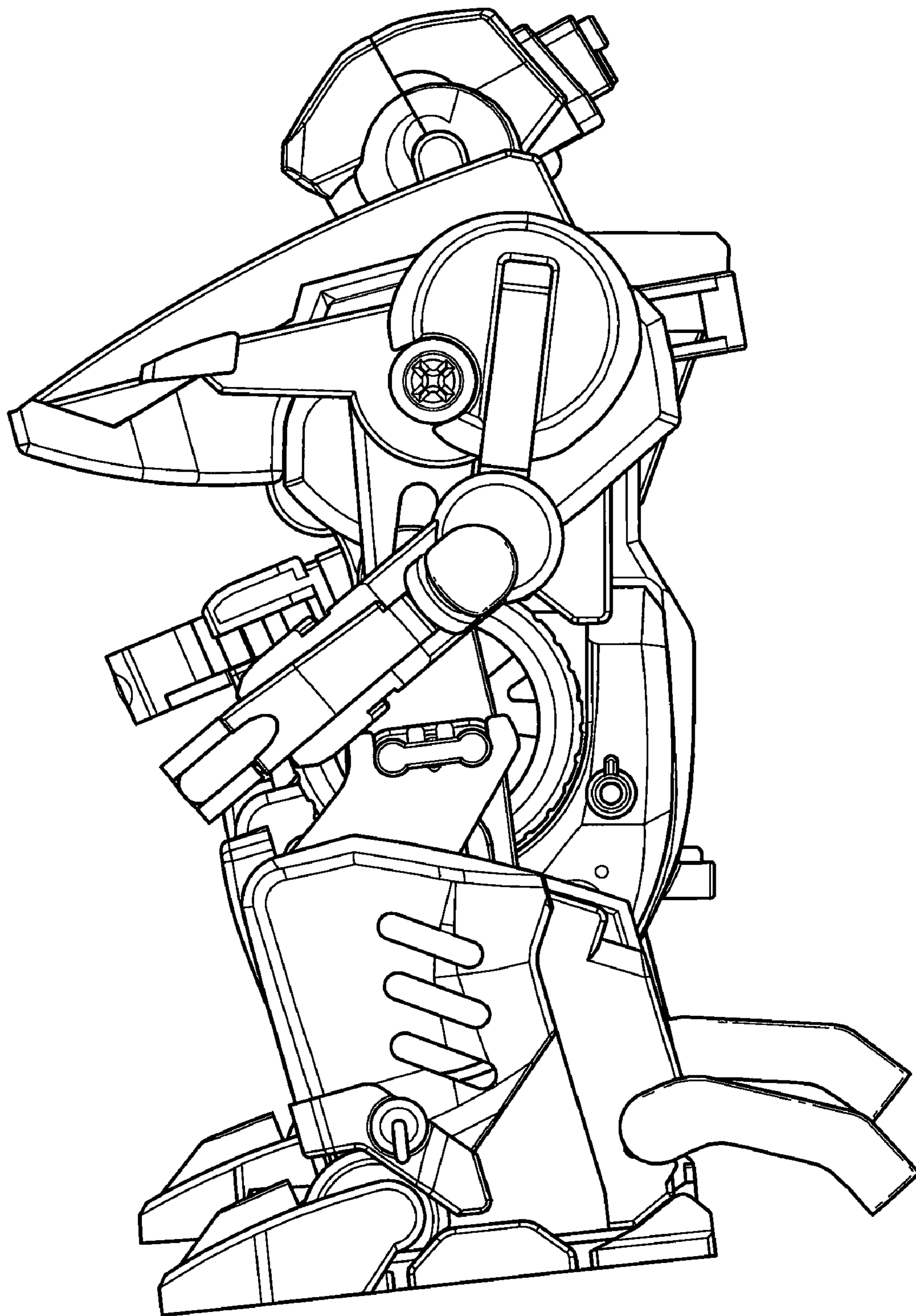


Fig. 2

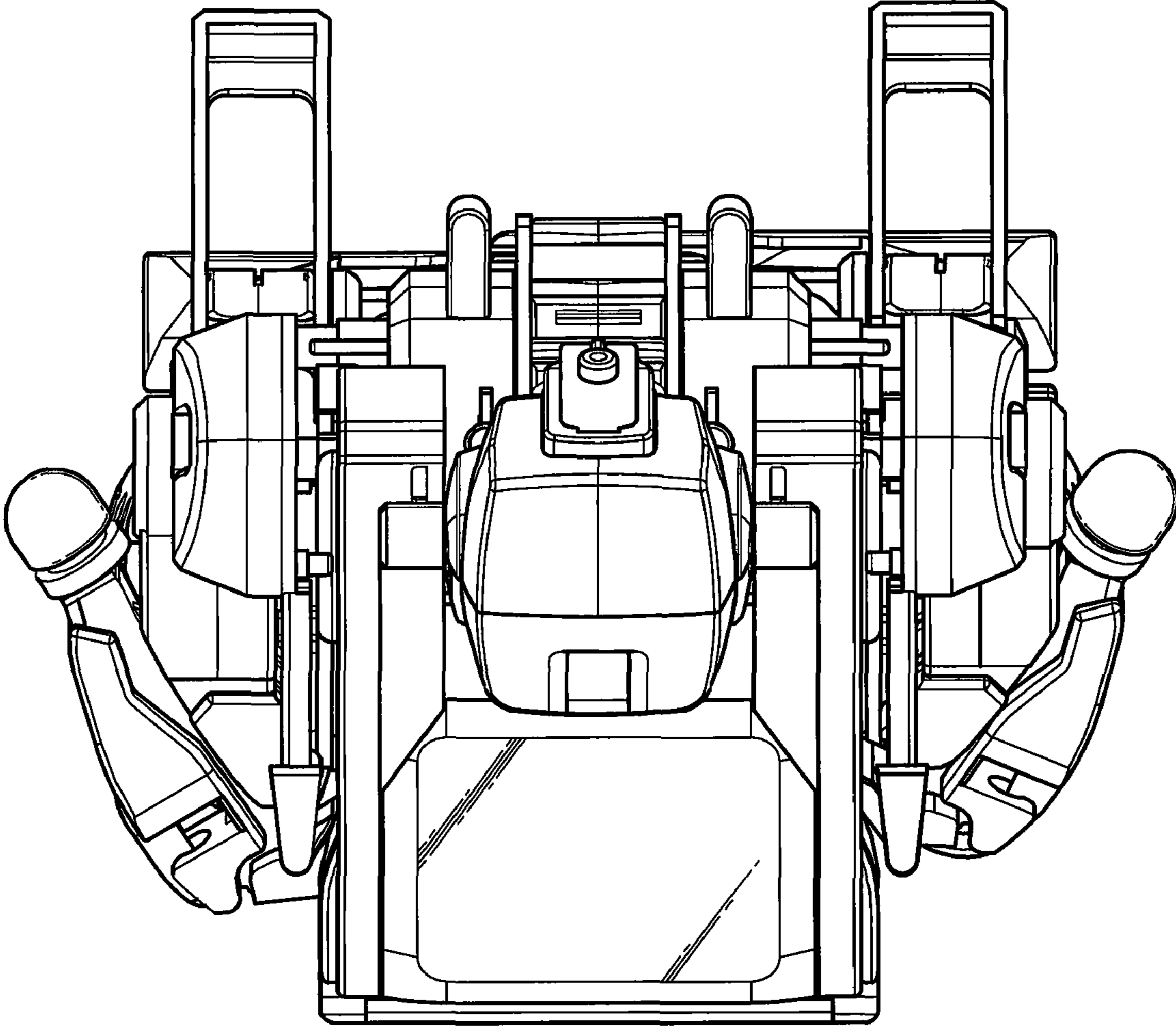


Fig. 3

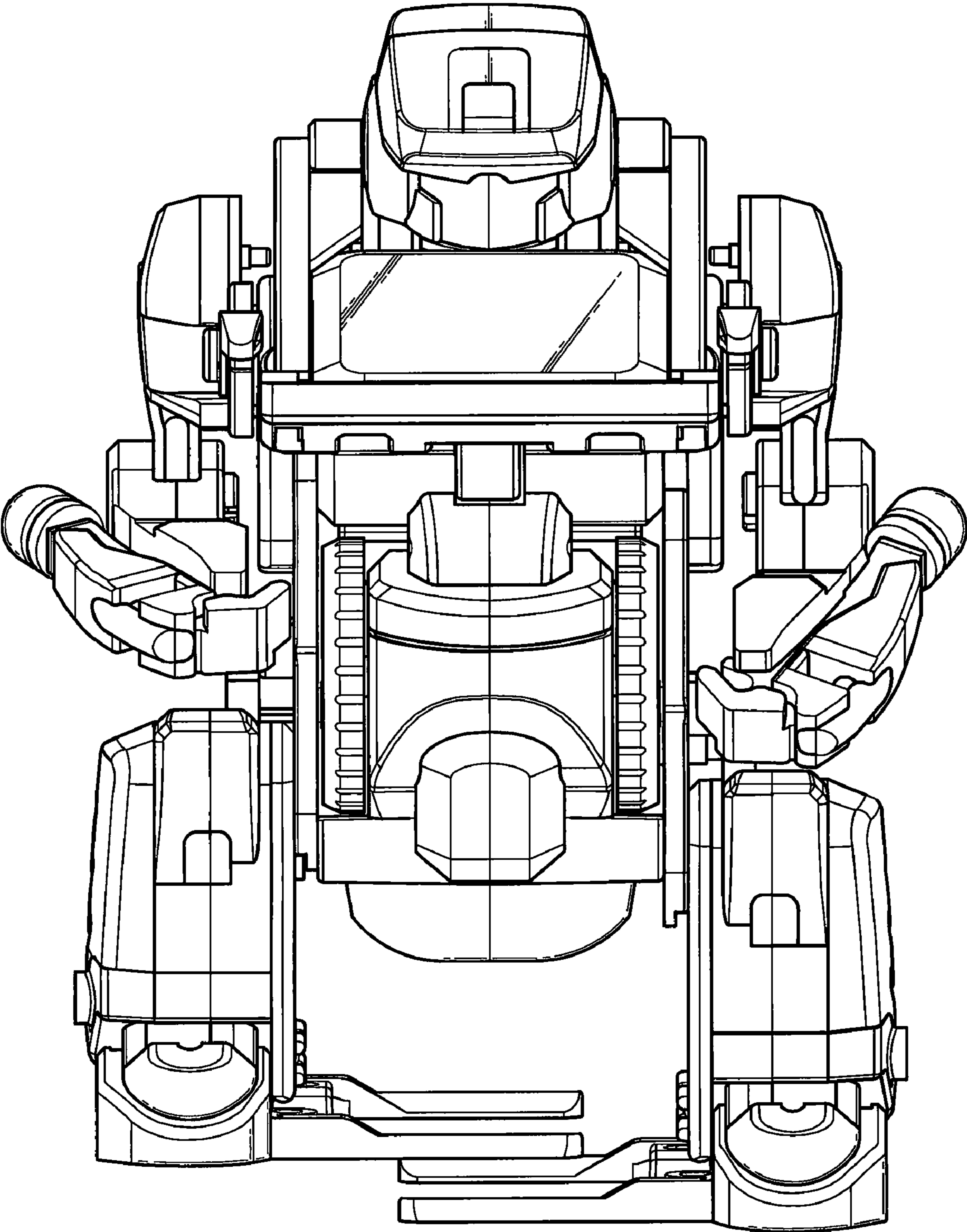


Fig. 4

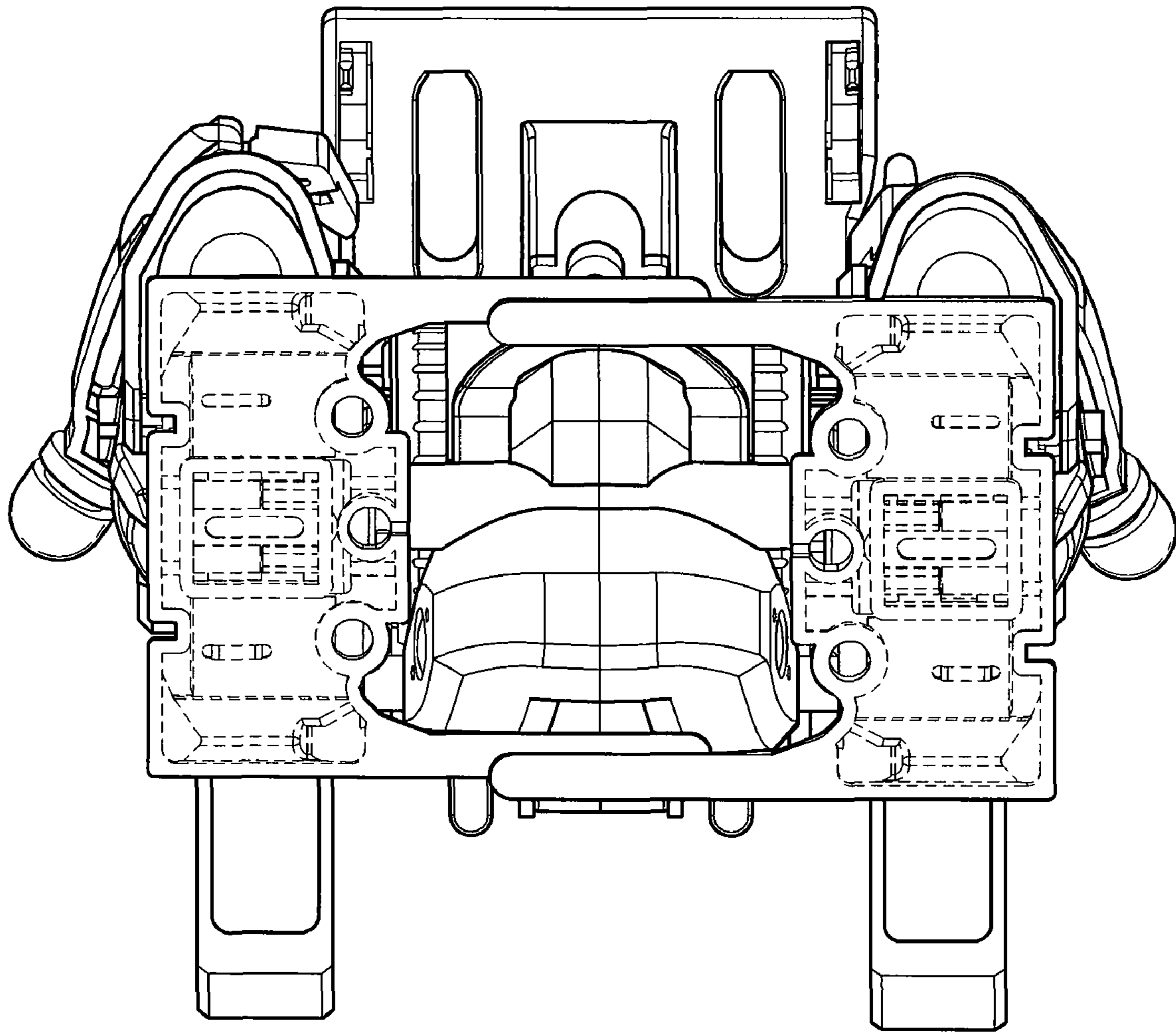


Fig. 5

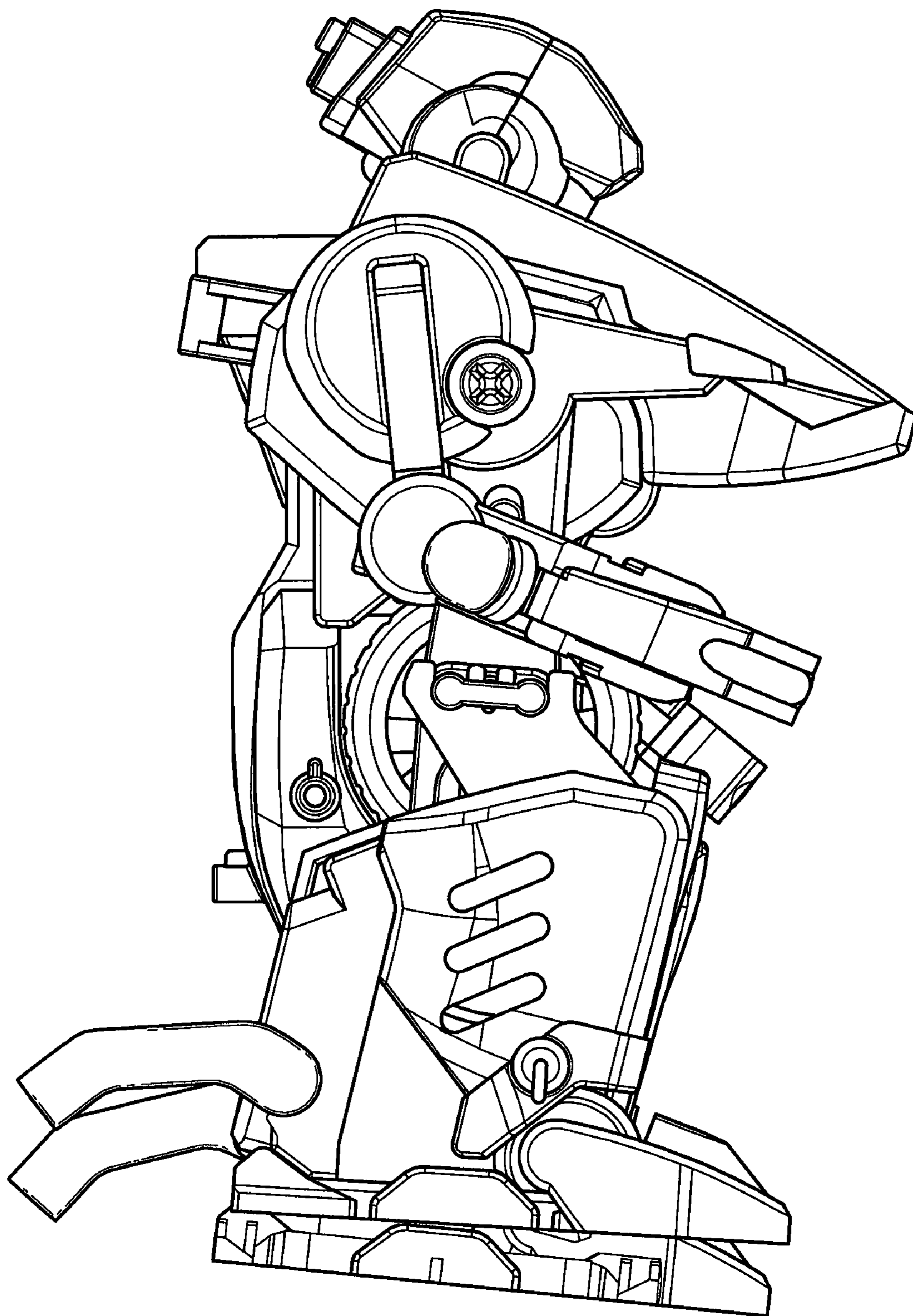


Fig. 6

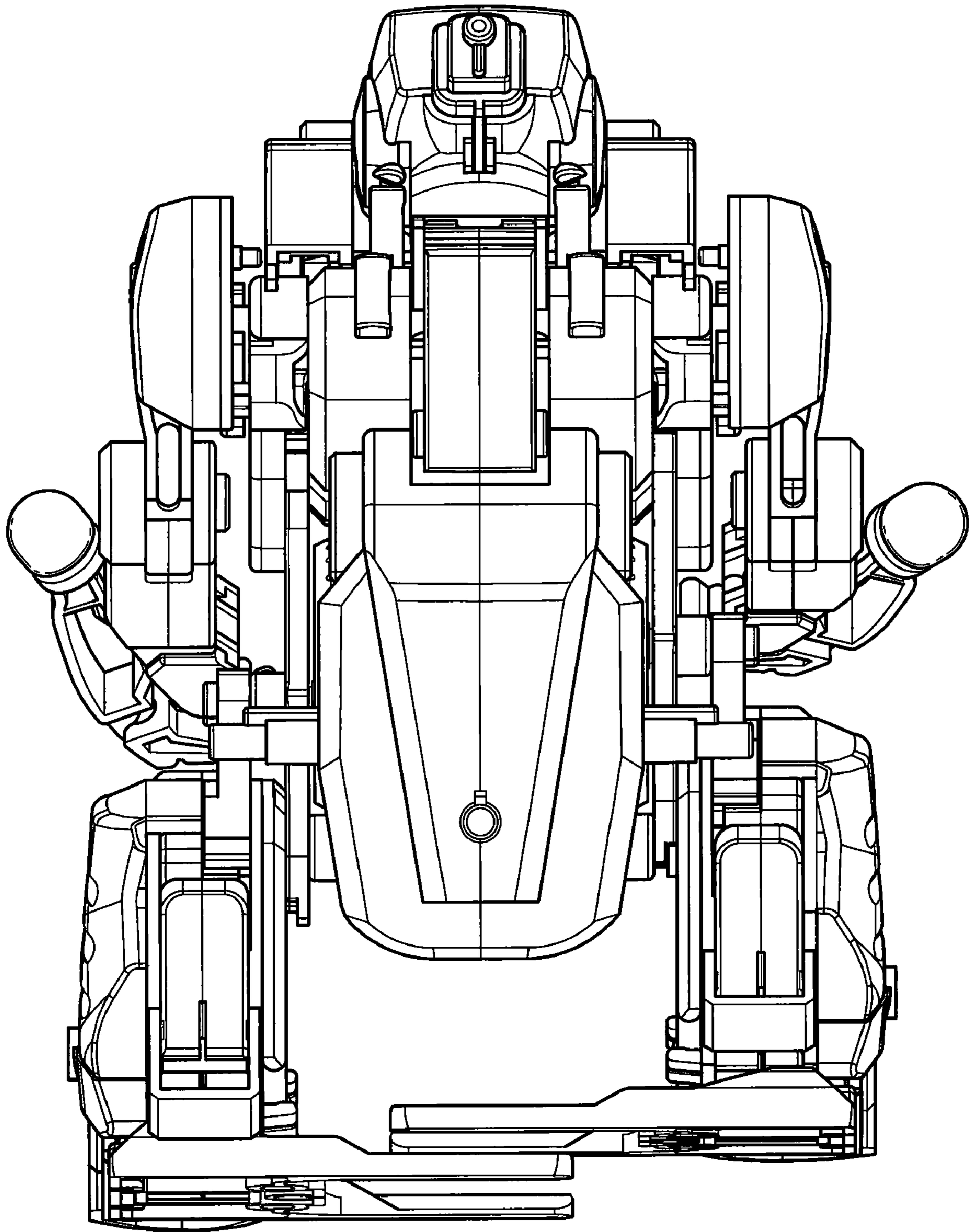


Fig. 7



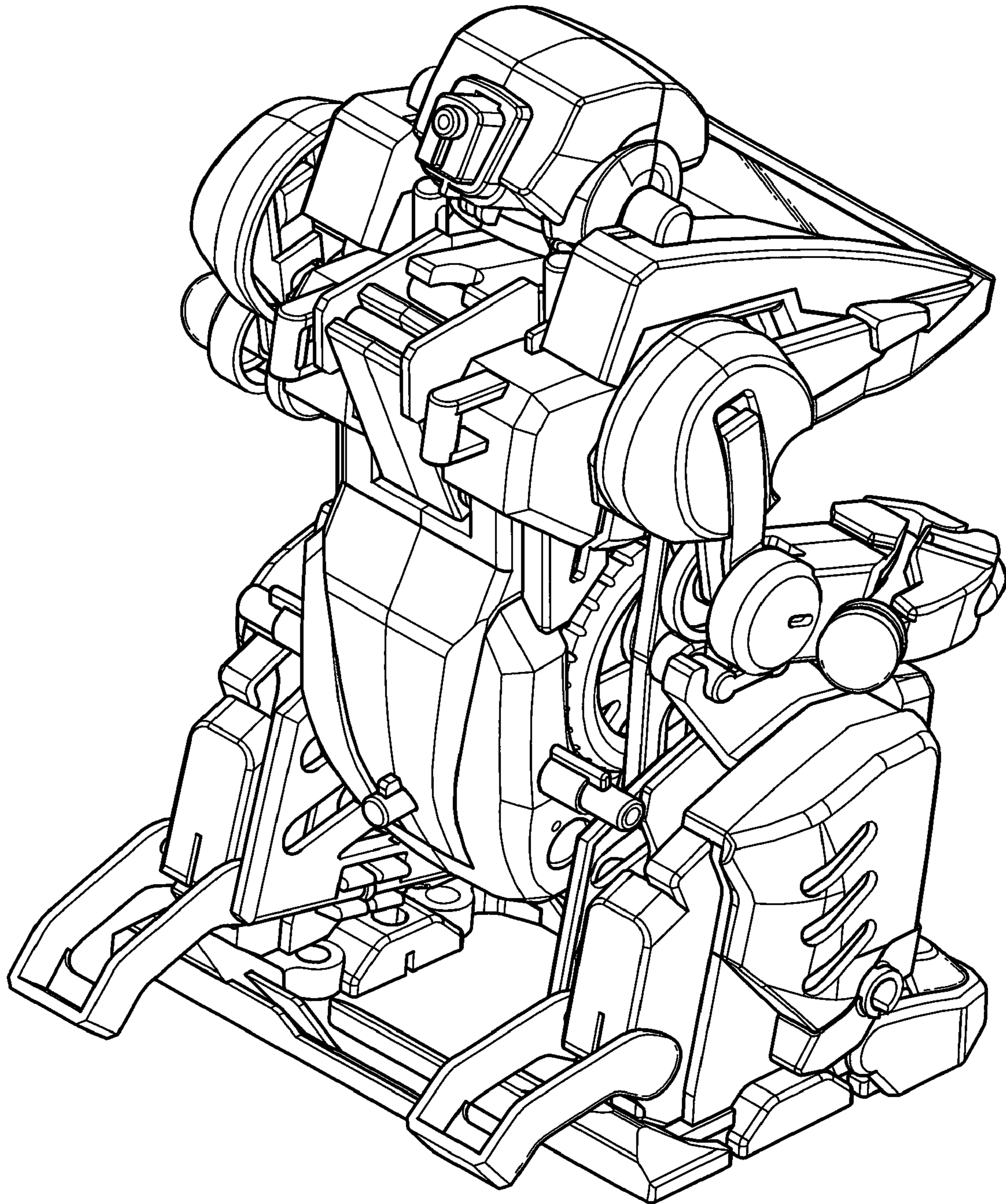


Fig. 8