



US00D622785S

(12) **United States Design Patent**
Brown et al.

(10) **Patent No.:** **US D622,785 S**
(45) **Date of Patent:** **** Aug. 31, 2010**

(54) **TOY SWORD HANDLE**

(75) Inventors: **Robert L. Brown**, North Kingstown, RI (US); **Raymond Aaron Mead**, Pawtucket, RI (US)

(73) Assignee: **Hasbro, Inc.**, Pawtucket, RI (US)

(**) Term: **14 Years**

(21) Appl. No.: **29/341,750**

(22) Filed: **Aug. 12, 2009**

(51) **LOC (9) Cl.** **21-01**

(52) **U.S. Cl.** **D21/568**

(58) **Field of Classification Search** D21/567, D21/568; D22/117, 118; D8/97-99, 102-104, D8/107, 300, 305, 347; D7/649-652; 30/162, 30/286, 295; 482/12; 446/175, 405, 473
See application file for complete search history.

(56) **References Cited**

U.S. PATENT DOCUMENTS

2,544,563	A *	3/1951	Moehle	30/295
D221,335	S *	8/1971	Clayton	D22/118
D222,934	S *	2/1972	Cole	D22/118
D222,935	S *	2/1972	Cole	D22/118
D222,937	S *	2/1972	Cole	D22/118
D222,938	S *	2/1972	Cole	D22/118
D225,527	S *	12/1972	Cole	D22/118
D330,064	S *	10/1992	Medina	D22/118
D355,225	S *	2/1995	Arad et al.	D21/568
D360,818	S *	8/1995	Marchi	D8/347
D364,793	S *	12/1995	Marchi	D8/347
5,478,267	A *	12/1995	McDonald et al.	446/473
D397,170	S *	8/1998	Choi	D21/568
D397,171	S *	8/1998	Choi	D21/568
D399,891	S *	10/1998	Choi	D21/568
D409,264	S *	5/1999	Choi	D21/568
D416,295	S *	11/1999	Choi	D21/568
D457,579	S *	5/2002	Yiu	D21/568

D473,618	S	4/2003	Rae	
D473,620	S	4/2003	Rae	
D474,828	S *	5/2003	Rae	D22/118
D486,201	S	2/2004	Rae	
D486,548	S	2/2004	Rae	
D491,996	S *	6/2004	Rae	D22/118
D494,246	S *	8/2004	Rae et al.	D22/118
D501,909	S	2/2005	Rae	
D502,528	S	3/2005	Rae	
D506,801	S *	6/2005	Hibben	D22/118
6,945,842	B1 *	9/2005	Gulmesoff	446/405
2007/0254553	A1 *	11/2007	Wan	446/175
2008/0051002	A1 *	2/2008	Chung Wong	446/473

* cited by examiner

Primary Examiner—Cynthia M Chin

(74) *Attorney, Agent, or Firm*—Perry Hoffman

(57) **CLAIM**

The ornamental design for a toy sword handle, as shown and described.

DESCRIPTION

FIG. 1 is a perspective view of the design of the present invention for a toy sword handle, the features of the sword blade shown in broken lines being for illustrative purposes only and forming no part of the claimed design;

FIG. 2 is an enlarged perspective view of the toy sword handle of FIG. 1;

FIG. 3 is a front elevation view thereof;

FIG. 4 is a rear elevation view thereof;

FIG. 5 is a bottom end view thereof;

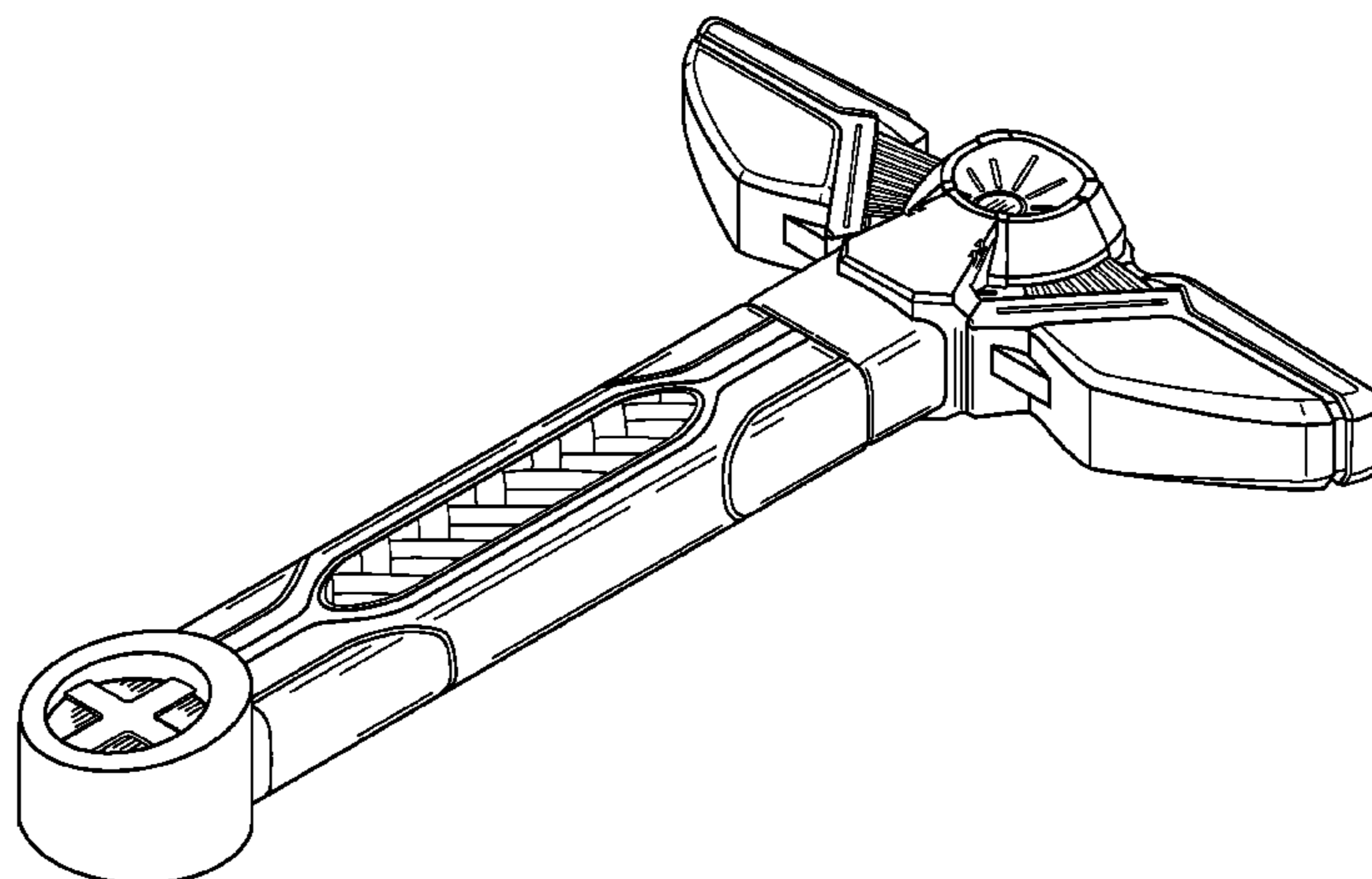
FIG. 6 is a top end view thereof;

FIG. 7 is a right side elevational view thereof; and,

FIG. 8 is a left side elevational view thereof.

The broken lines represent portions of the design that form no part of the claim.

1 Claim, 7 Drawing Sheets



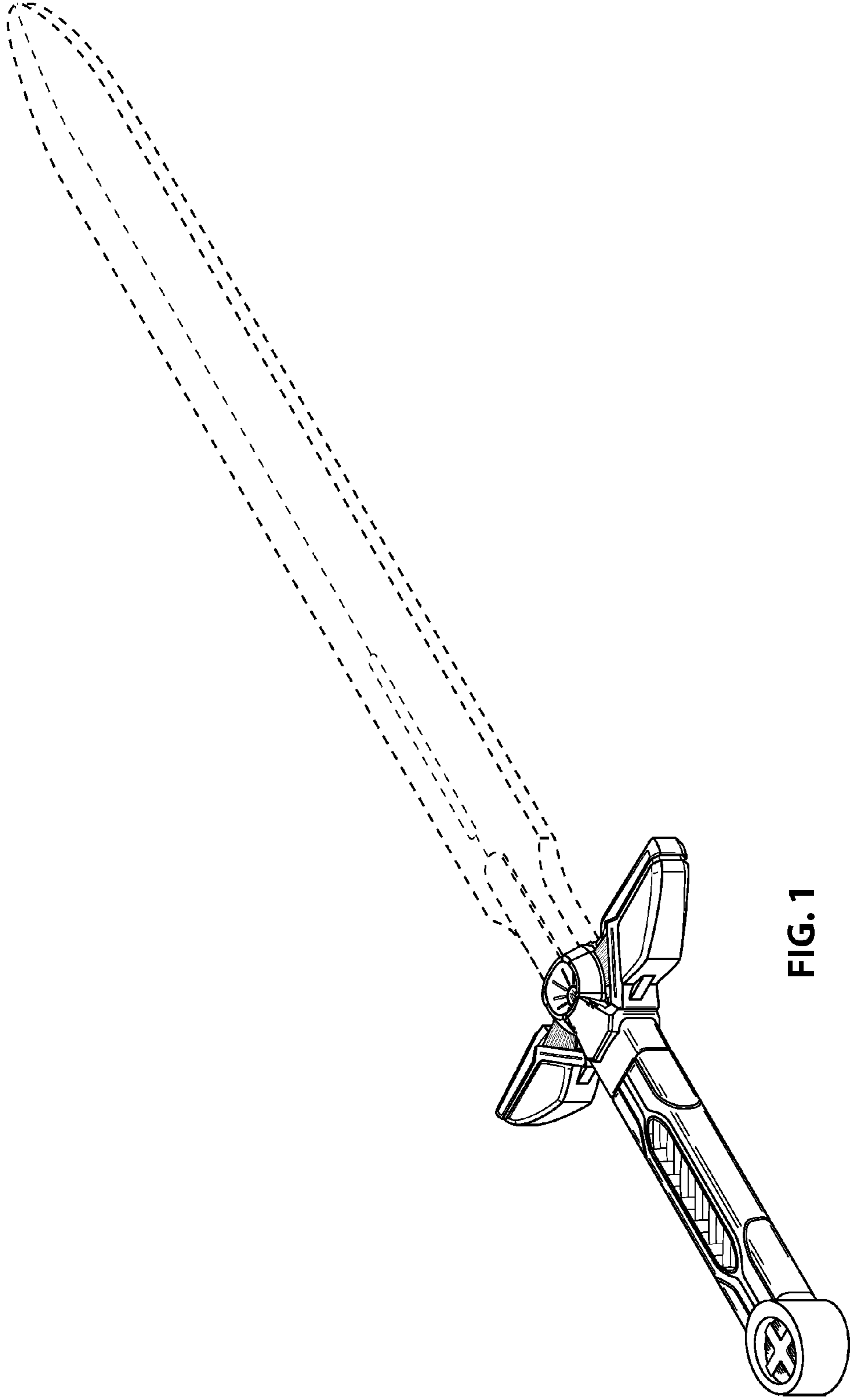


FIG. 1

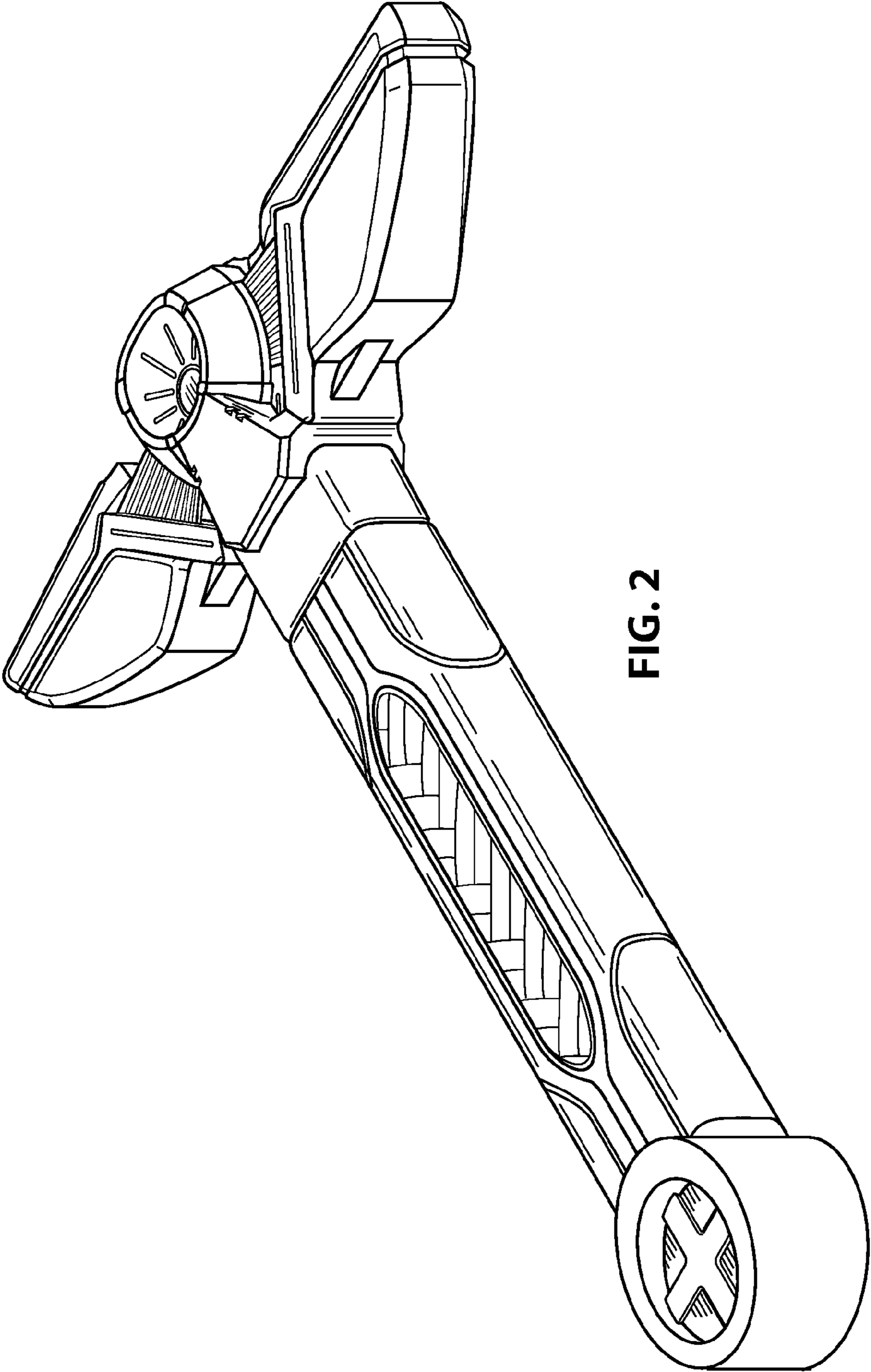


FIG. 2

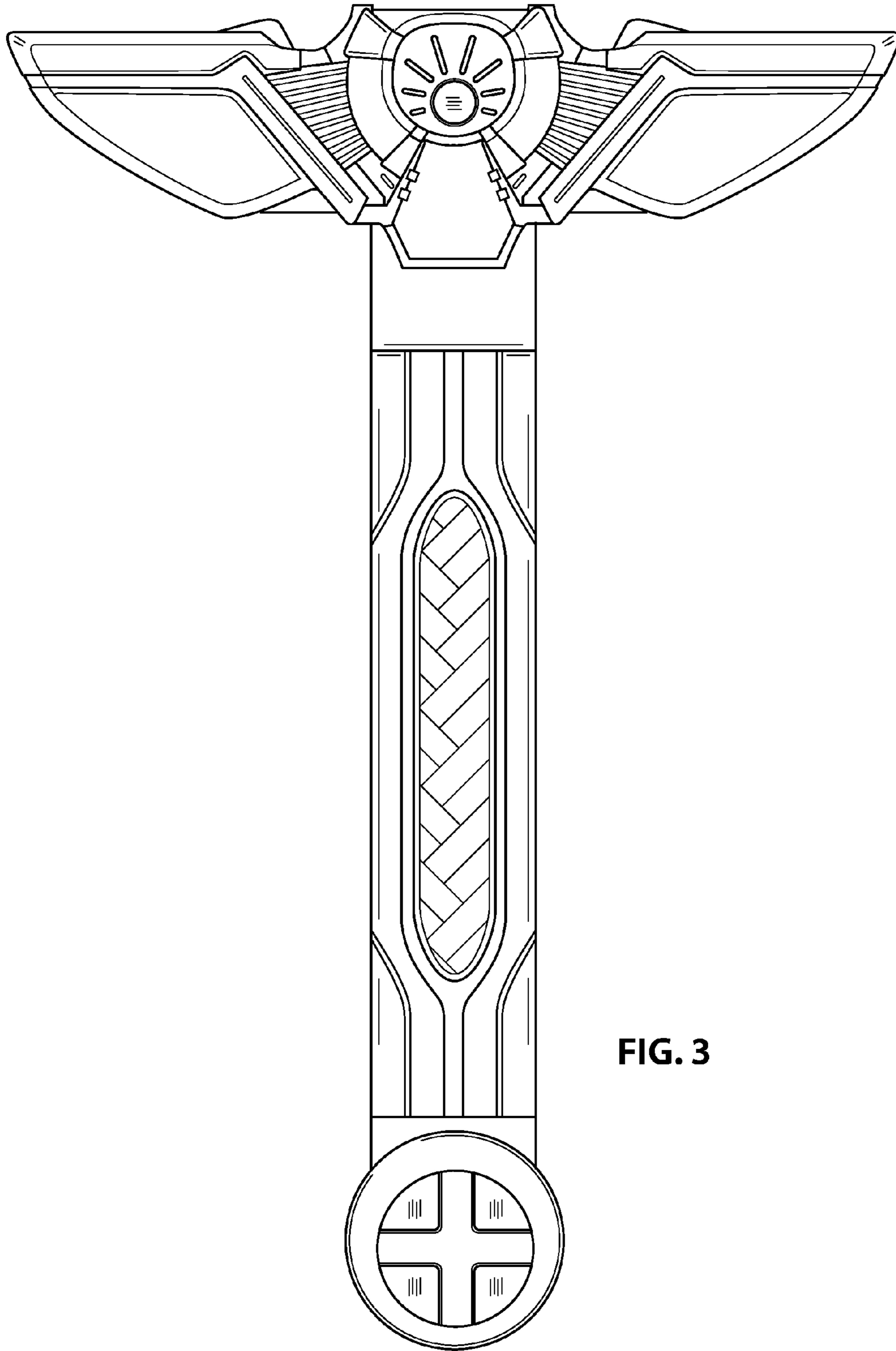


FIG. 3

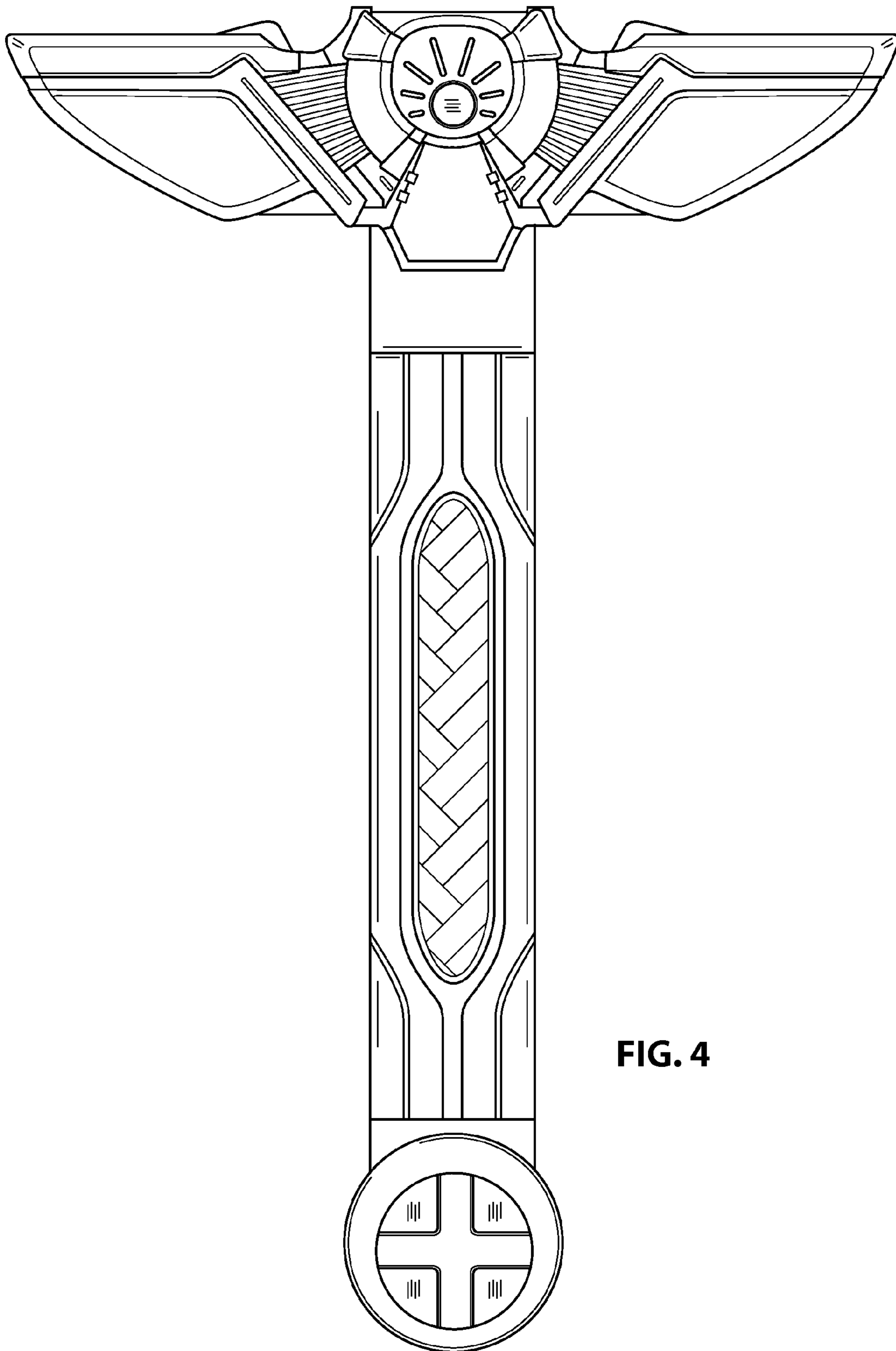


FIG. 4

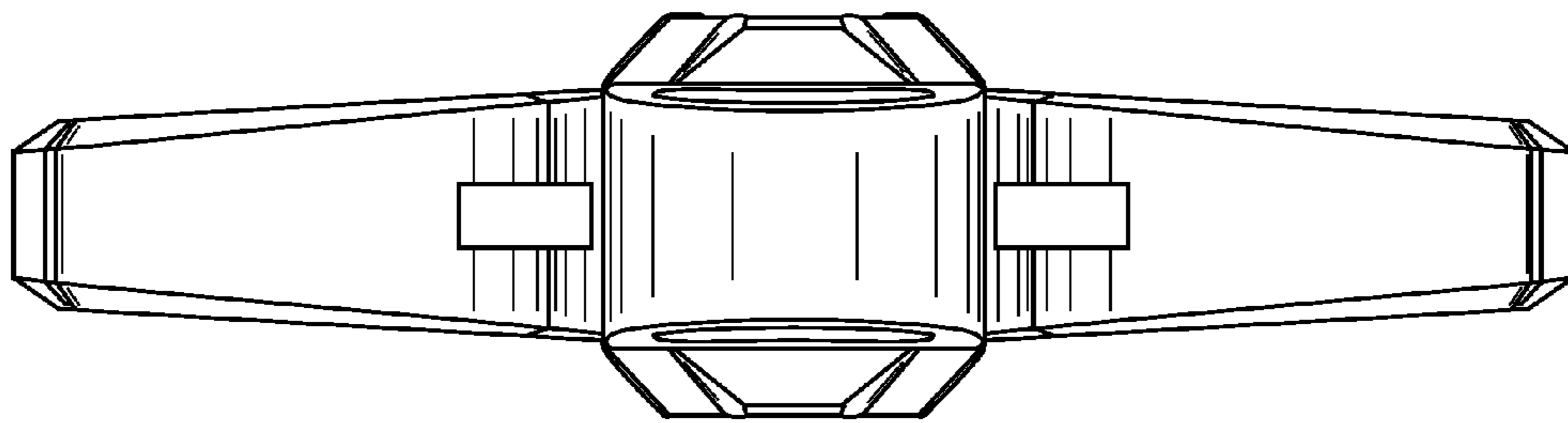


FIG. 5

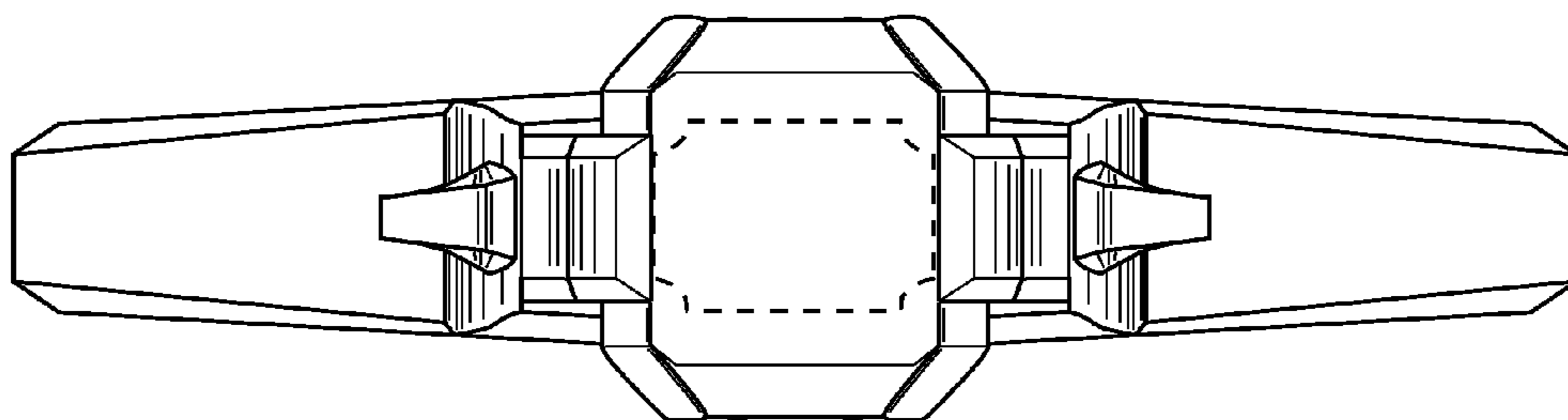


FIG. 6

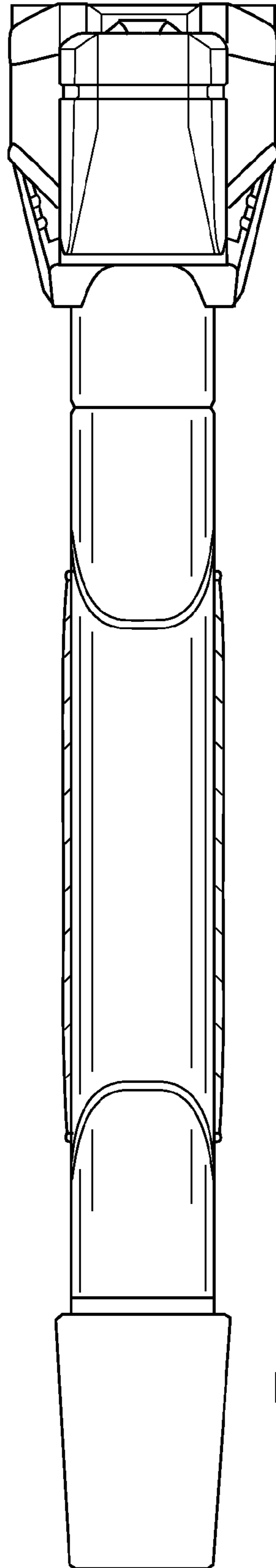


FIG. 7

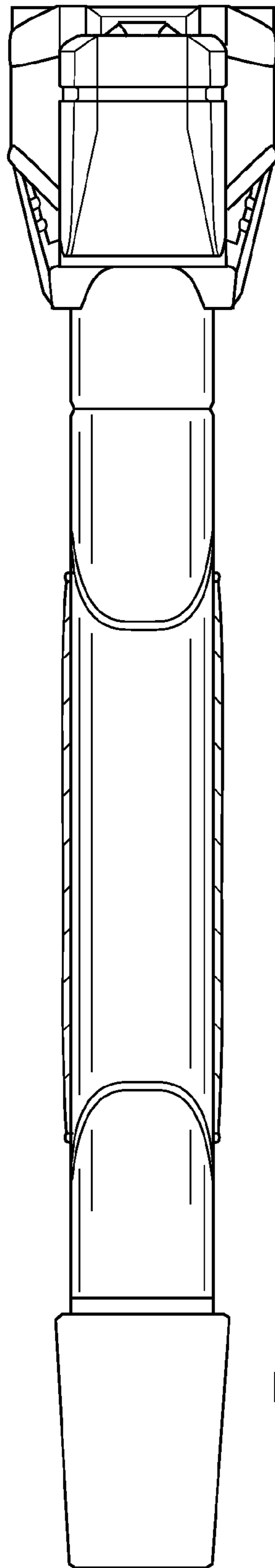


FIG. 8