



US00D622781S

(12) **United States Design Patent**  
**Lesley et al.**

(10) **Patent No.:** **US D622,781 S**  
(45) **Date of Patent:** **\*\* Aug. 31, 2010**

(54) **GAMING MACHINE WITH CURVED SIDE PROFILE AND VERTICAL FRAME**

5,195,746 A 3/1993 Boyd et al. .... 463/37  
5,232,191 A 8/1993 Infanti ..... 248/500  
5,290,034 A 3/1994 Hineman ..... 273/148

(75) Inventors: **Paul M. Lesley**, Blue Island, IL (US);  
**William C. Cesaroni**, Glenview, IL (US);  
**Morad Ghassemian**, Oak Park, IL (US);  
**Christian J. Kulujian**, Chicago, IL (US)

(Continued)

FOREIGN PATENT DOCUMENTS

EP 649 671 A1 4/1995

(Continued)

(73) Assignee: **WMS Gaming Inc.**, Waukegan, IL (US)

OTHER PUBLICATIONS

Product Sheet for "American Eagle", Eagle Co. Ltd., 2 pages, (1997).

(Continued)

(\*\*) Term: **14 Years**

*Primary Examiner*—Sandra Morris

(21) Appl. No.: **29/327,688**

(74) *Attorney, Agent, or Firm*—Nixon Peabody LLP

(22) Filed: **Nov. 11, 2008**

(51) **LOC (9) Cl.** ..... **21-03**

(57) **CLAIM**

(52) **U.S. Cl.** ..... **D21/369; D21/385**

(58) **Field of Classification Search** ..... D21/324–329,  
D21/369–370, 385; 273/309; 463/16–17,  
463/46–47

We claim the ornamental design for a "gaming machine with curved side profile and vertical frame," as shown and described.

See application file for complete search history.

**DESCRIPTION**

(56) **References Cited**

U.S. PATENT DOCUMENTS

2,661,954 A	12/1953	Koci	463/57
D236,720 S	9/1975	Baker	D21/370
4,046,419 A	9/1977	Schmitt	297/153
D264,485 S	5/1982	Kitchen	D21/370
4,705,274 A	11/1987	Lubeck	273/148
4,840,343 A	6/1989	Gasser	248/500
4,960,117 A	10/1990	Moncrief et al.	463/46
D315,110 S	3/1991	Slater	D10/88
5,015,189 A	5/1991	Wenzinger et al.	434/63
5,083,738 A	1/1992	Infanti	248/500
5,102,192 A	4/1992	Barile	297/257
5,114,112 A	5/1992	Infanti	248/500
5,143,055 A	9/1992	Eakin	601/47
D333,164 S	2/1993	Kraft et al.	D21/325

FIG. 1 is a perspective view of a gaming machine with a curved side profile and vertical frame showing our new design.

FIG. 2 is a front view of the gaming machine shown in FIG. 1.

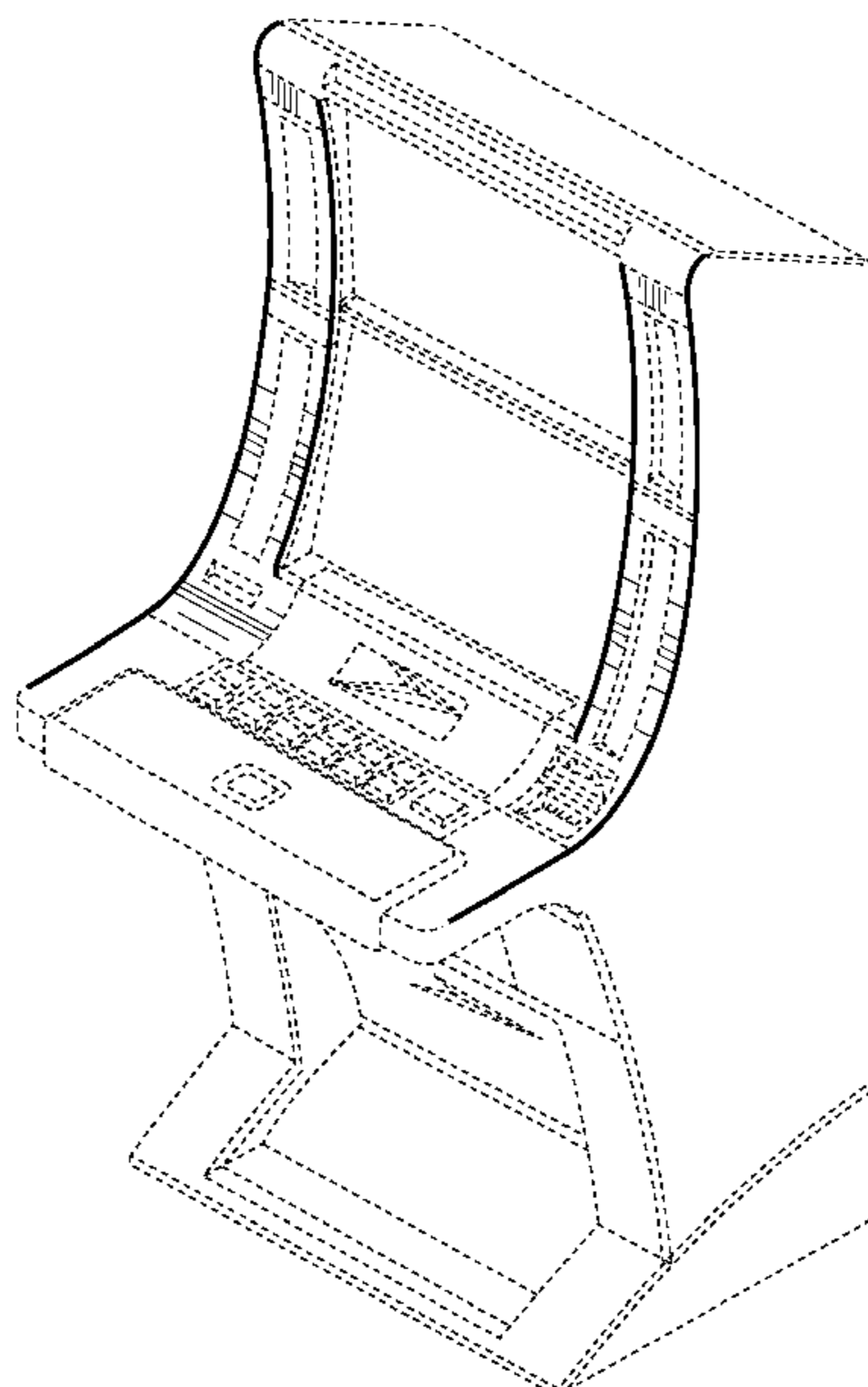
FIG. 3 is a left-side view of the gaming machine shown in FIG. 1.

FIG. 4 is a right-side view of the gaming machine shown in FIG. 1; and,

FIG. 5 is a top view of the gaming machine shown in FIG. 1.

The broken lines are only for illustrative purposes to show visible environmental structure and form no part of the claimed design.

**1 Claim, 2 Drawing Sheets**



U.S. PATENT DOCUMENTS

D351,869 S 10/1994 Rothschild et al. .... D21/37  
 5,409,296 A 4/1995 Barlie ..... 297/344.1  
 5,411,257 A 5/1995 Fulton ..... 273/85  
 5,437,453 A 8/1995 Hineman ..... 273/148  
 5,472,197 A 12/1995 Gwiasda et al. .... 273/143 R  
 5,522,641 A 6/1996 Infanti ..... 297/344.13  
 5,542,748 A 8/1996 Barlie ..... 297/463.1  
 D376,391 S 12/1996 Okumura ..... D21/326  
 D380,014 S 6/1997 Yang ..... D21/370  
 5,669,818 A 9/1997 Thorner et al. .... 463/30  
 5,678,886 A 10/1997 Infanti ..... 297/217.3  
 5,762,617 A 6/1998 Infanti ..... 601/49  
 5,791,731 A 8/1998 Infanti ..... 297/217.3  
 5,820,460 A 10/1998 Fulton ..... 463/13  
 D407,759 S 4/1999 Isetani et al. .... D21/326  
 5,984,782 A 11/1999 Inoue ..... 463/20  
 D419,201 S 1/2000 De Haas ..... D21/370  
 D419,606 S 1/2000 Toriyama ..... D21/325  
 6,047,963 A 4/2000 Pierce et al. .... 273/143 R  
 D424,122 S 5/2000 Dickenson et al. .... D21/325  
 D428,062 S 7/2000 Hayashi ..... D21/325  
 6,089,663 A 7/2000 Hill ..... 297/258.1  
 6,102,394 A 8/2000 Wurz et al. .... 273/138.2  
 6,117,010 A 9/2000 Canterbury ..... 463/20  
 6,129,355 A 10/2000 Hahn et al. .... 273/142 R  
 6,135,562 A 10/2000 Infanti ..... 297/440.2  
 6,155,925 A 12/2000 Giobbi et al. .... 463/20  
 6,159,098 A 12/2000 Slomiany et al. .... 463/25  
 D439,931 S 4/2001 Yamaguchi ..... D21/369  
 6,210,279 B1 4/2001 Dickinson ..... 463/37  
 6,227,614 B1 5/2001 Rubin ..... 297/172  
 6,227,970 B1 5/2001 Shimizu et al. .... 463/20  
 D443,313 S 6/2001 Brettschneider ..... D21/369  
 D446,252 S 8/2001 Yamaguchi ..... D21/325  
 6,283,546 B1 9/2001 Hill ..... 297/271.1  
 6,290,229 B1 9/2001 Perez ..... 273/148  
 D450,094 S 11/2001 Hedrick et al. .... D21/369  
 6,334,612 B1 1/2002 Wurz et al. .... 273/143 R  
 6,354,660 B1 3/2002 Friedrich ..... 297/217.1  
 D459,402 S 6/2002 Wurz et al. .... D21/325  
 6,422,670 B1 7/2002 Hedrick et al. .... 312/223.1  
 6,422,941 B1 7/2002 Thorner et al. .... 463/30  
 D463,504 S 9/2002 Stephan ..... D21/325  
 D464,377 S 10/2002 Wurz et al. .... D21/325  
 D466,160 S 11/2002 Hirato et al. .... D21/325  
 D467,977 S 12/2002 Gatto et al. .... D21/326  
 D468,364 S 1/2003 Beadell et al. .... D21/325  
 6,530,842 B1 3/2003 Wells et al. .... 463/46  
 6,530,872 B2 3/2003 Frehland et al. .... 494/49

6,572,187 B2 6/2003 Laufer ..... 297/217.1  
 6,589,114 B2 7/2003 Rose ..... 463/20  
 6,609,972 B2 8/2003 Seelig ..... 463/20  
 6,616,142 B2 9/2003 Adams ..... 273/292  
 D483,075 S 12/2003 Kang ..... D21/326  
 6,715,756 B2 4/2004 Inoue ..... 273/138  
 D493,843 S 8/2004 Jackson et al. .... D21/327  
 D495,754 S 9/2004 Wurz et al. .... D21/370  
 D495,755 S 9/2004 Wurz et al. .... D21/370  
 D500,098 S 12/2004 Doi ..... D21/477  
 D508,268 S 8/2005 Hanchar et al. .... D21/369  
 D508,269 S 8/2005 Wichinsky ..... D21/369  
 D508,719 S 8/2005 de Haas ..... D21/369  
 D508,961 S 8/2005 Gatto et al. .... D21/369  
 D509,254 S 9/2005 Rasmussen et al. .... D21/369  
 D512,105 S 11/2005 Chitrapongse et al. .... D21/370  
 6,997,810 B2\* 2/2006 Cole ..... 463/46  
 7,184,277 B2 2/2007 Beirne ..... 361/807  
 D539,854 S 4/2007 Luciano et al. .... D21/369  
 D563,481 S\* 3/2008 Looks et al. .... D21/370  
 D564,600 S 3/2008 Greenberg et al. .... D21/370  
 D564,601 S 3/2008 Strahinic et al. .... D21/370  
 D566,197 S 4/2008 Greenberg et al. .... D21/370  
 7,503,849 B2 3/2009 Hornik et al. .... 463/20  
 2002/0041069 A1 4/2002 Steelman ..... 273/138.1  
 2003/0122973 A1 7/2003 Huang ..... 348/836  
 2004/0053662 A1 3/2004 Pacey ..... 463/16  
 2005/0014547 A1 1/2005 Gomez et al. .... 463/16  
 2006/0079316 A1 4/2006 Flemming et al. .... 463/25  
 2008/0039213 A1\* 2/2008 Cornell et al. .... 463/46  
 2008/0051202 A1\* 2/2008 Lube ..... 463/46

FOREIGN PATENT DOCUMENTS

JP 03210172 B2 2/1993

OTHER PUBLICATIONS

Product Sheet for "Monopoly Chairman of the Board™", WMS Gaming Inc. 2 pages (1999).  
 Product Sheet for "American Eagle", Eagle Co., Ltd., 2 pages (2000).  
 Product Sheet for "Survivor", WMS Gaming Inc., 4 pages, (2001).  
 Product Sheet for "ProSLOT®6000", Bally Gaming Systems, 4 pages, (2002).  
 Product Sheet for "EVO™ Hybrid", Bally Gaming Systems, 4 pages, (2002).  
 Product Sheet for "3RV™", WMS Gaming Inc., 2 pages, (2002 or earlier).  
 Product Sheet for "Miss America", AC Coin & Slot, 2 pages (2002 or earlier).

\* cited by examiner

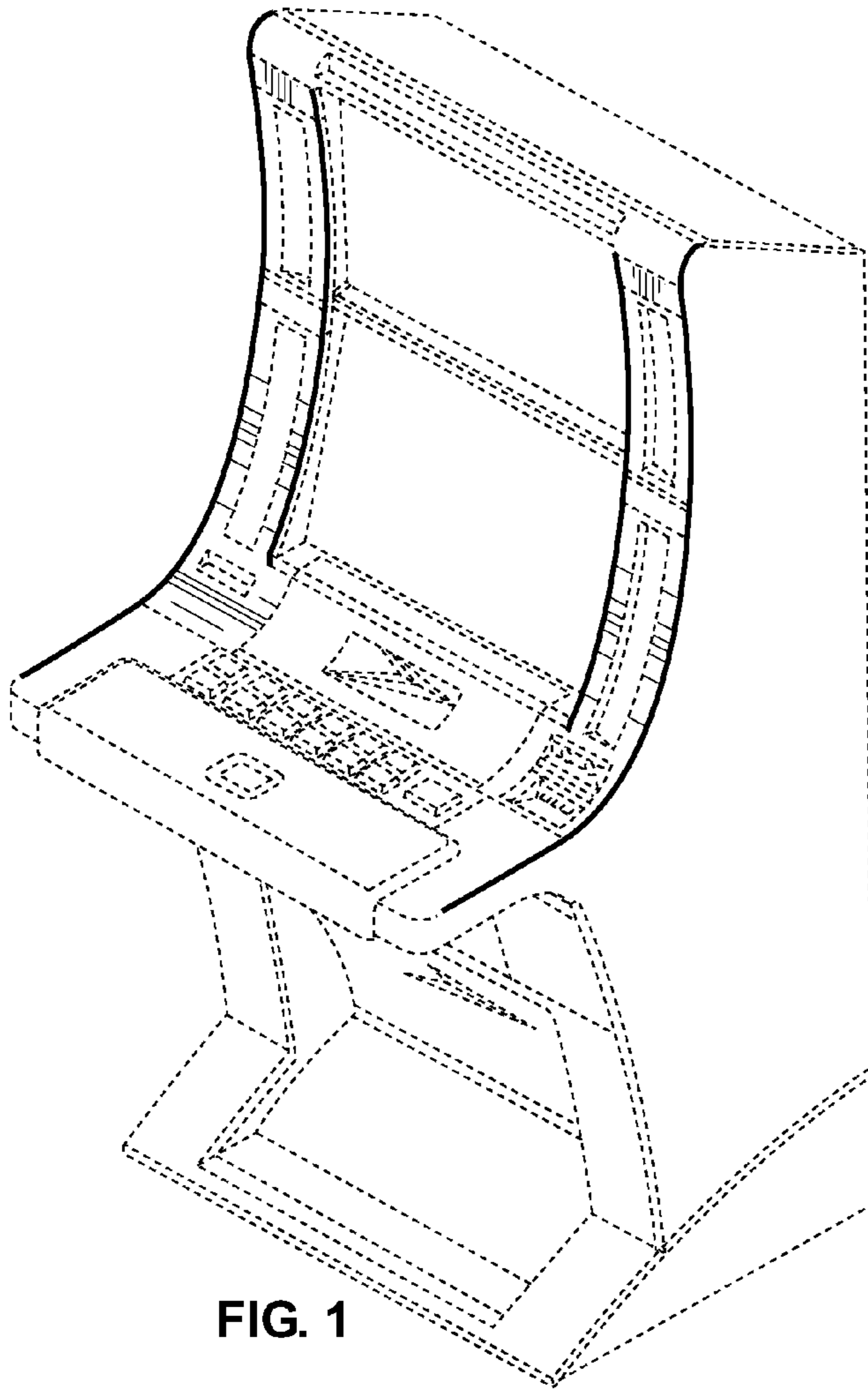


FIG. 1

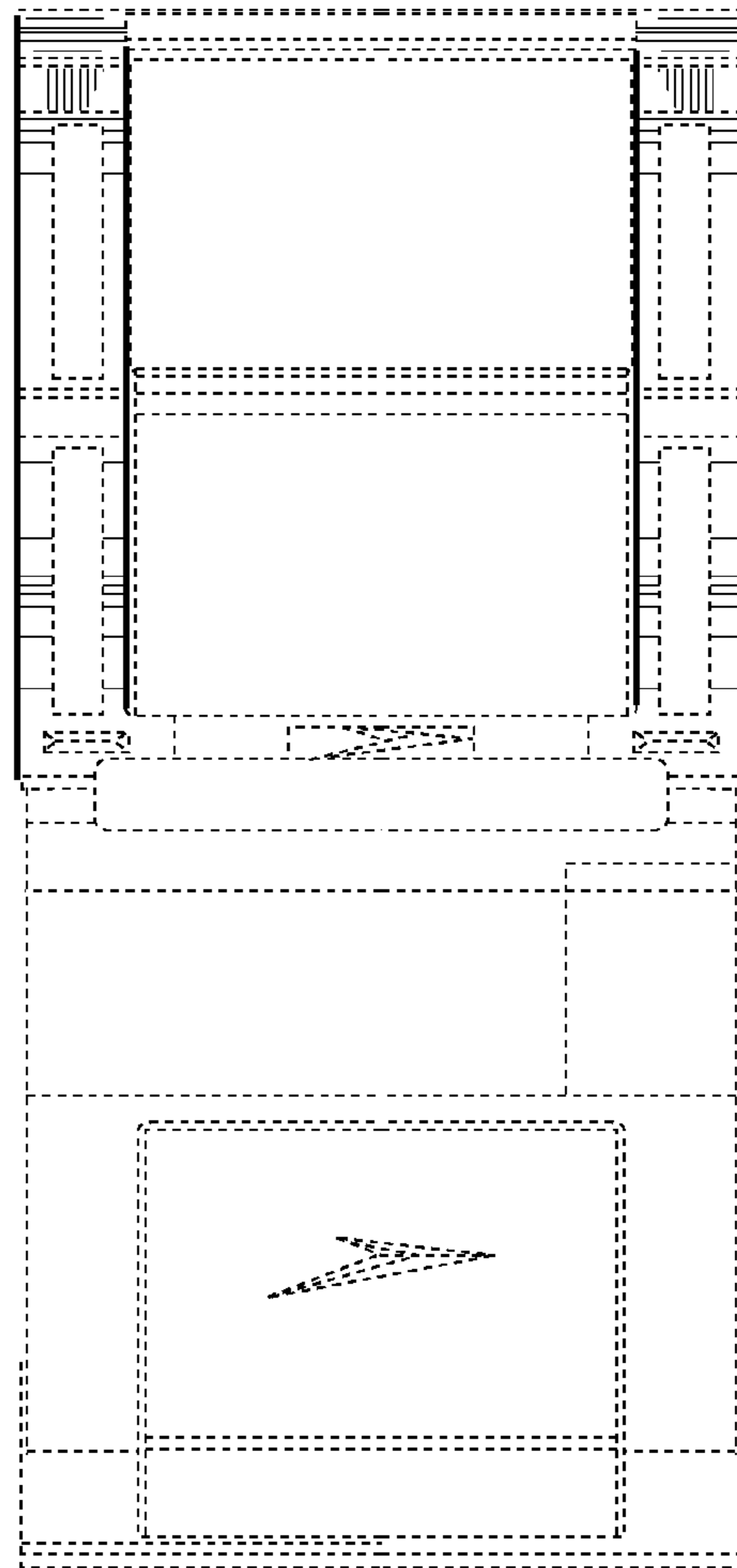


FIG. 2

