



US00D622773S

(12) **United States Design Patent**
Giudicelli

(10) **Patent No.:** **US D622,773 S**

(45) **Date of Patent:** **** Aug. 31, 2010**

(54) **ADVERTISEMENT DISPLAY DEVICE**

(76) **Inventor:** **Jose Alberto Ginebra Giudicelli, 8**
Cantera Street, La Julia, Santo Domingo
(DO)

(**) **Term:** **14 Years**

(21) **Appl. No.:** **29/308,326**

(22) **Filed:** **Jun. 10, 2008**

(30) **Foreign Application Priority Data**

Dec. 11, 2007 (DO) D2007-0034

(51) **LOC (9) Cl.** **20-02**

(52) **U.S. Cl.** **D20/10**

(58) **Field of Classification Search** D20/10,
D20/15, 19, 40, 99; 40/538, 541, 542, 553,
40/559, 584, 591, 592, 600, 607.01; D6/431;
D10/109; D25/102; D26/31, 72, 85; 340/434;
362/559, 565, 812; 404/7

See application file for complete search history.

(56) **References Cited**

U.S. PATENT DOCUMENTS

3,290,813 A * 12/1966 Rose, Sr. 40/592
3,633,299 A * 1/1972 Westin 40/592
3,984,931 A * 10/1976 Belokin, Jr. 40/559
D293,984 S * 2/1988 Finger D6/431
5,772,357 A * 6/1998 Evans 404/7
5,918,397 A * 7/1999 Elmer 40/592
6,481,921 B1 * 11/2002 Fenimore et al. 404/7
D470,534 S * 2/2003 Letherer et al. D20/15
D480,432 S * 10/2003 Newman D20/10

6,692,182 B1 * 2/2004 Fenimore et al. 404/7
7,351,003 B1 * 4/2008 Fenimore et al. 404/7
2004/0074122 A1 * 4/2004 Goodwin et al. 40/592
2006/0239775 A1 * 10/2006 Klassen 404/7

FOREIGN PATENT DOCUMENTS

JP D2007-0034 4/2008

* cited by examiner

Primary Examiner—Janice E Seeger

Assistant Examiner—Mary Ann Calabrese

(74) *Attorney, Agent, or Firm*—Malloy & Malloy, P.A.

(57) **CLAIM**

The ornamental design for an advertisement display device,
as shown and described.

DESCRIPTION

FIG. 1 is a perspective view illustrating my design for an
advertisement display device;

FIG. 2 is a front elevation view thereof, the rear being iden-
tical there to;

FIG. 3 is a left side elevation view thereof, the right side being
identical there to;

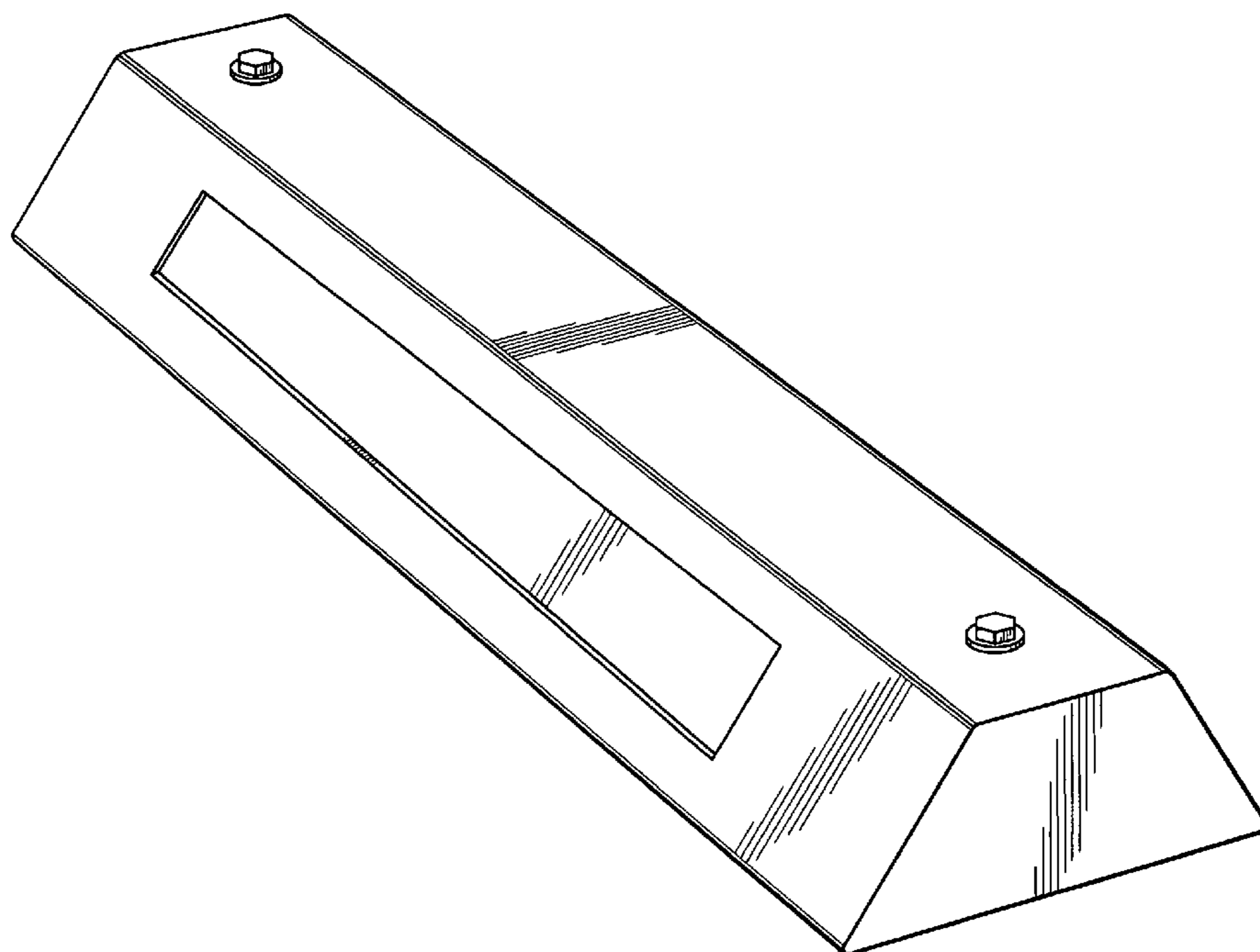
FIG. 4 is a top plan view thereof;

FIG. 5 is a bottom perspective view thereof, with the ends
removed for clarity of illustration; and,

FIG. 6 is a top perspective view thereof.

The broken lines present in the figures indicate portions of the
design which form no part of the claim.

1 Claim, 6 Drawing Sheets



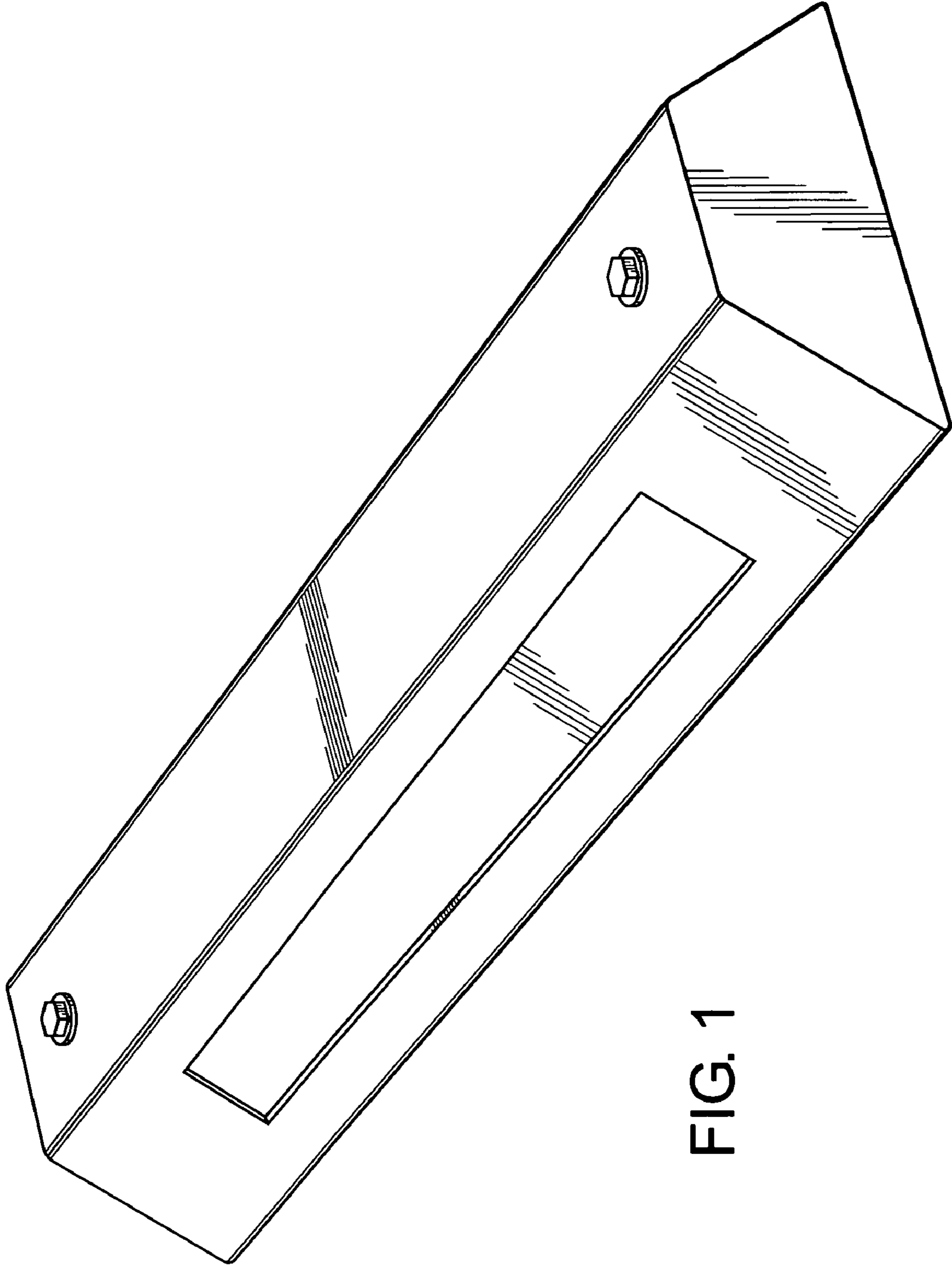


FIG. 1

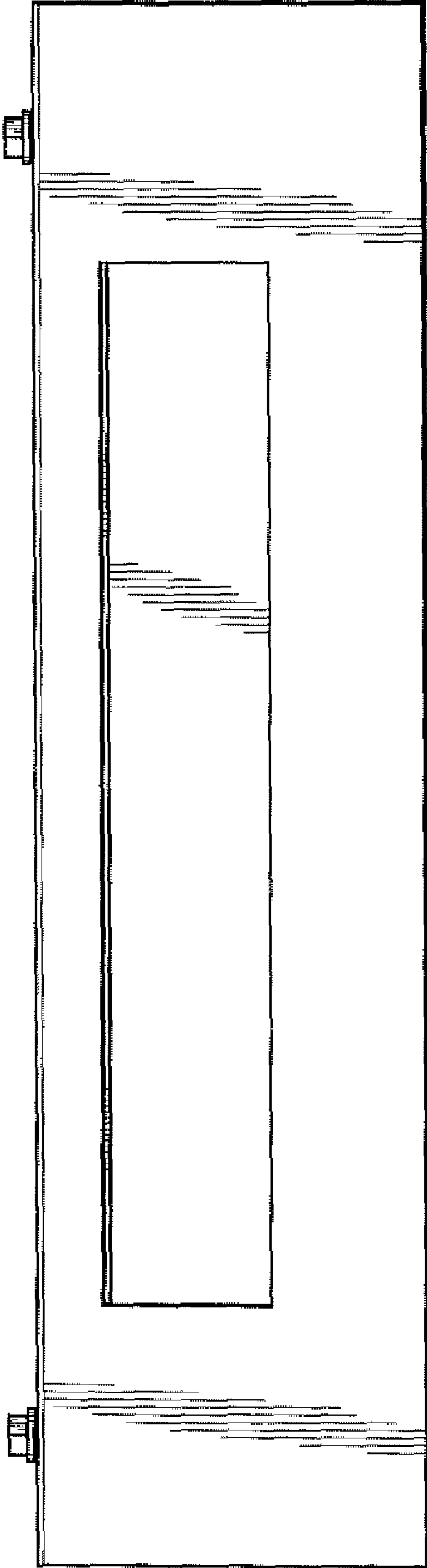


FIG. 2

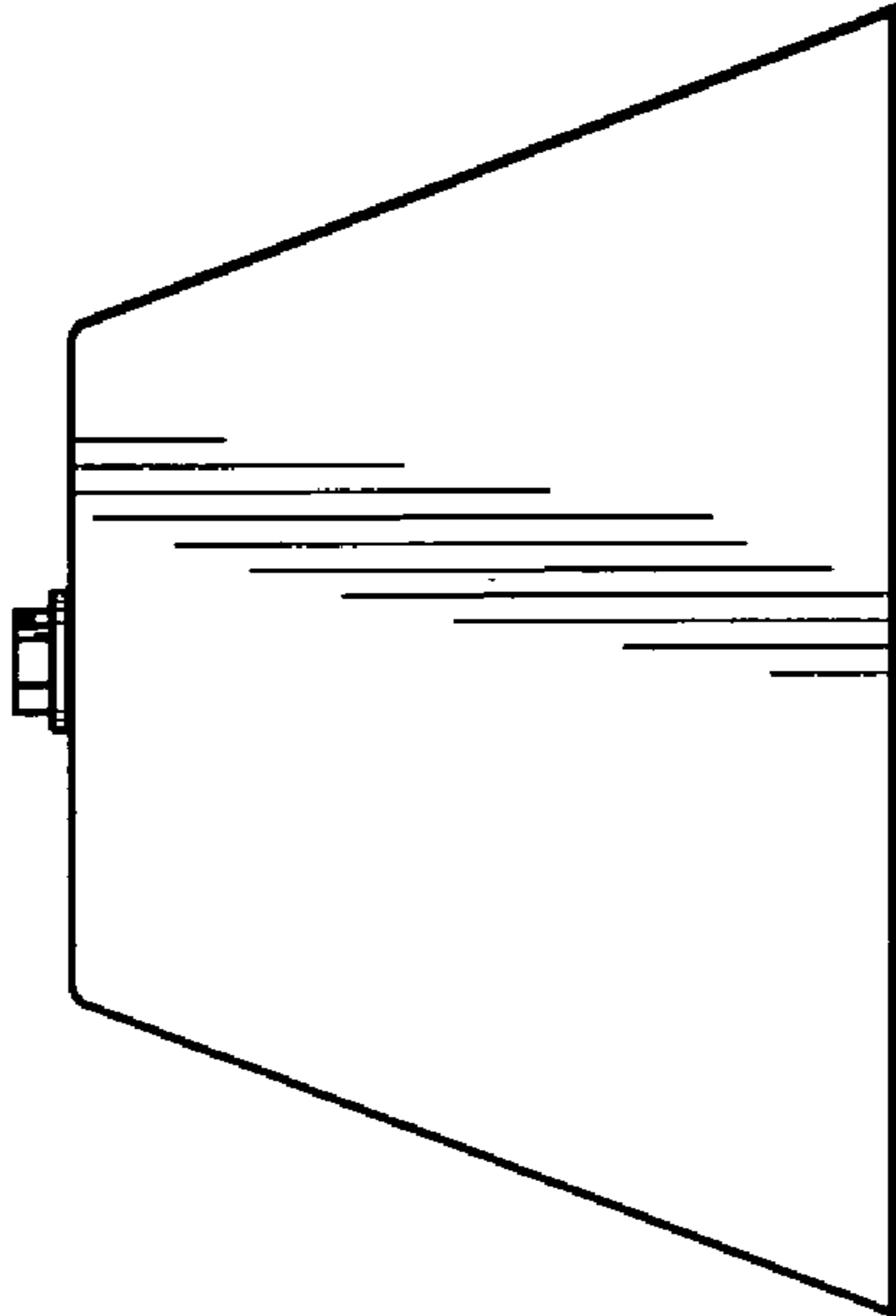


FIG. 3

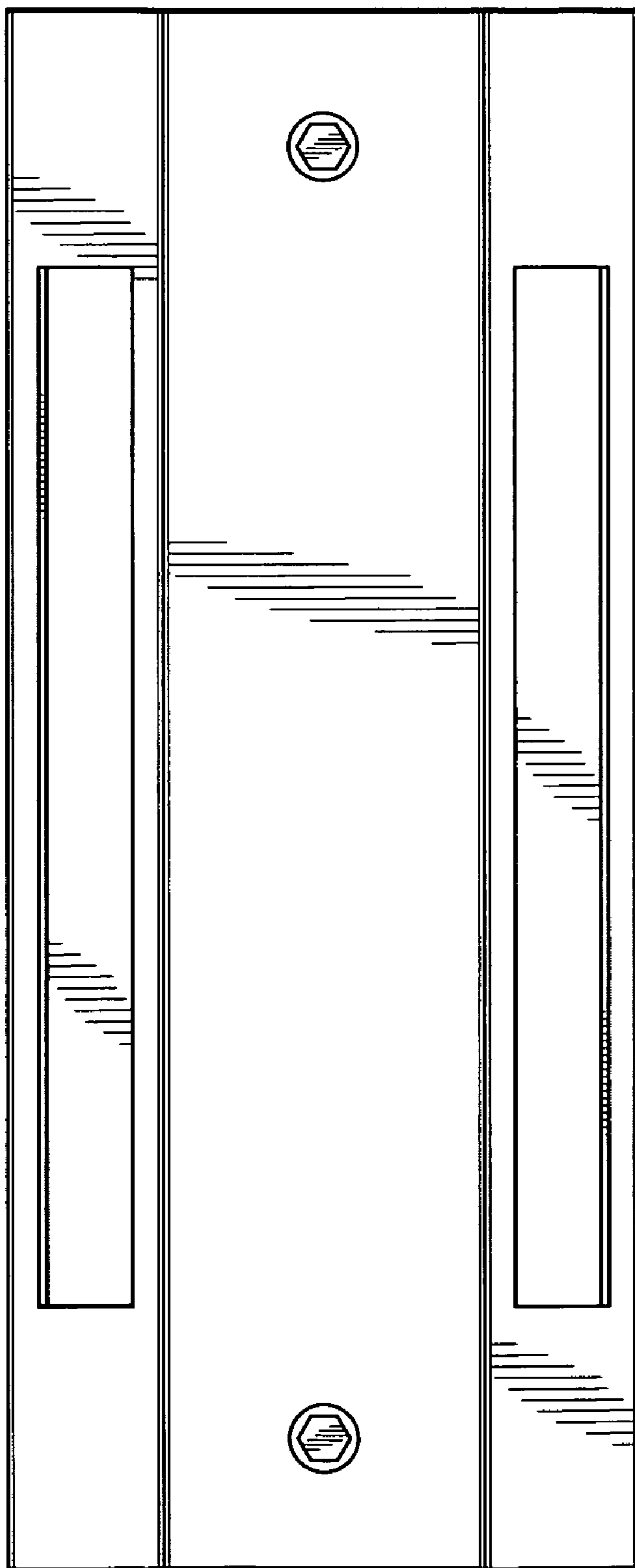


FIG. 4

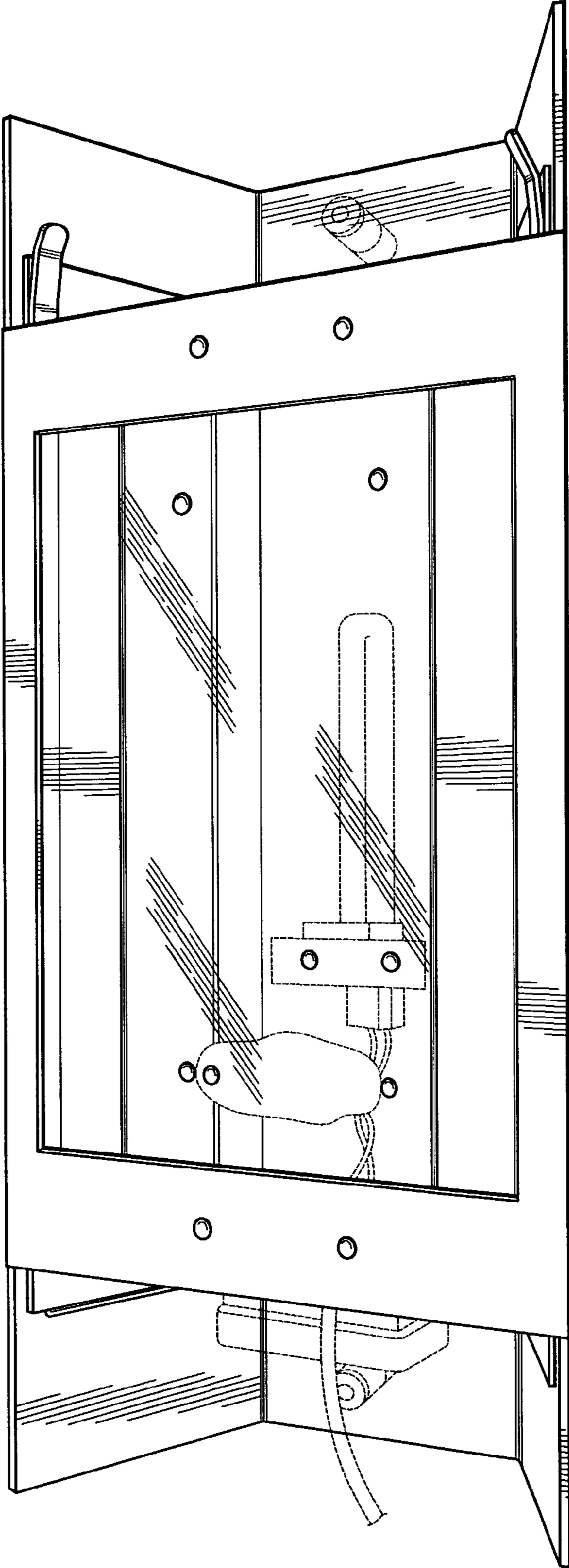


FIG. 5

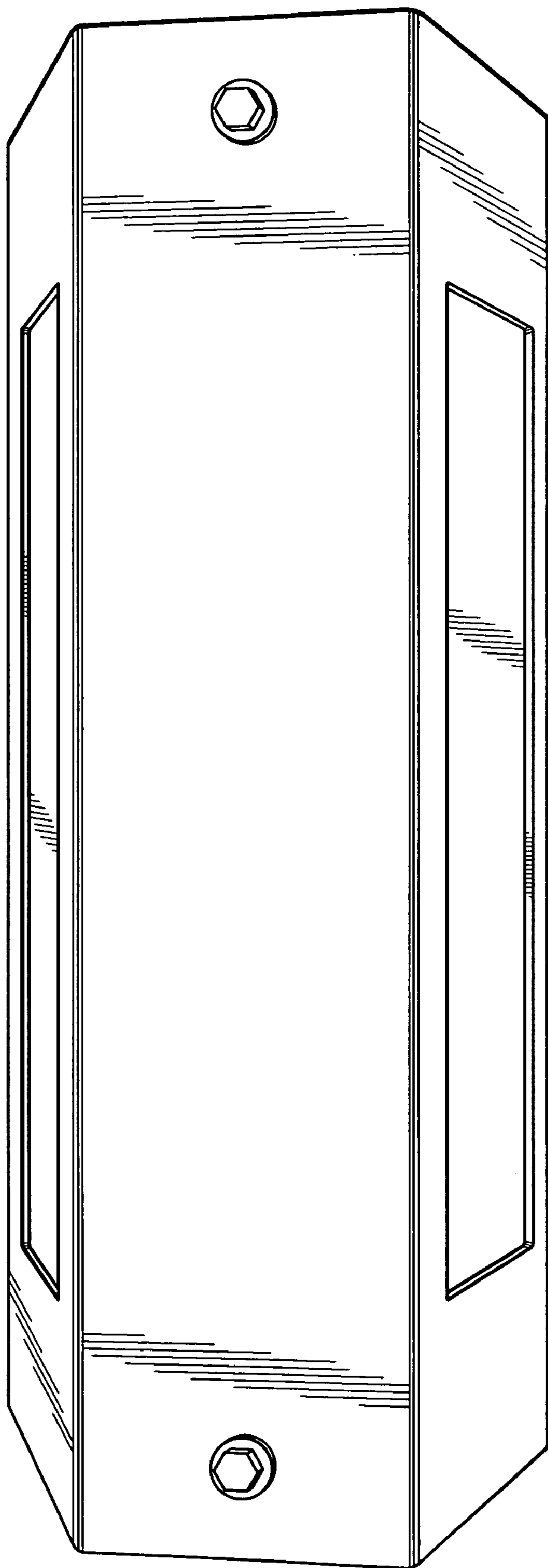


FIG. 6