



US00D622772S

(12) **United States Design Patent**  
**Farnworth et al.**

(10) **Patent No.:** **US D622,772 S**

(45) **Date of Patent:** **\*\* Aug. 31, 2010**

(54) **PENCIL SHARPENER**

(75) Inventors: **Stuart David Farnworth**, Westport, CT (US); **Jonathan A. Lee**, Milford, CT (US); **Javier Verdura**, Milford, CT (US)

(73) Assignee: **Acme United Corporation**, Fairfield, CT (US)

(\*\*) Term: **14 Years**

(21) Appl. No.: **29/313,785**

(22) Filed: **Feb. 11, 2009**

(51) **LOC (9) Cl.** ..... **19-06**

(52) **U.S. Cl.** ..... **D19/73**

(58) **Field of Classification Search** ..... D8/91,  
D8/98; D19/72, 73, 74, 99; 30/451-462;  
144/28.1, 28.11, 28.2-28.7, 28.72, 28.8,  
144/28.9

See application file for complete search history.

(56) **References Cited**

**U.S. PATENT DOCUMENTS**

3,237,607	A *	3/1966	O'Brien	.....	144/28.71
D394,986	S *	6/1998	Lallemand	.....	D7/378
6,283,625	B2 *	9/2001	Frankel et al.	.....	366/146
D448,967	S *	10/2001	Planca et al.	.....	D7/378
6,470,929	B2 *	10/2002	Fregeolle	.....	144/28.72
D479,666	S *	9/2003	Barker	.....	D7/378
D534,394	S *	1/2007	Zhiwen et al.	.....	D7/378
D549,043	S *	8/2007	Beesley et al.	.....	D7/378

D559,323	S *	1/2008	Peterson et al.	.....	D19/73
D559,324	S *	1/2008	Peterson et al.	.....	D19/73
D580,985	S *	11/2008	Farnworth et al.	.....	D19/73
D580,986	S *	11/2008	Farnworth et al.	.....	D19/73
7,546,858	B2 *	6/2009	Peterson et al.	.....	144/28.72
2007/0151113	A1 *	7/2007	Green	.....	30/454

\* cited by examiner

*Primary Examiner*—Elizabeth A Albert

(74) *Attorney, Agent, or Firm*—Alix, Yale & Ristas, LLP

(57) **CLAIM**

The ornamental design for a pencil sharpener, as shown and described.

**DESCRIPTION**

FIG. 1 is an upper frontal perspective view of a pencil sharpener showing our new design;

FIG. 2 is a front view thereof;

FIG. 3 is a rear view thereof;

FIG. 4 is a left side view thereof;

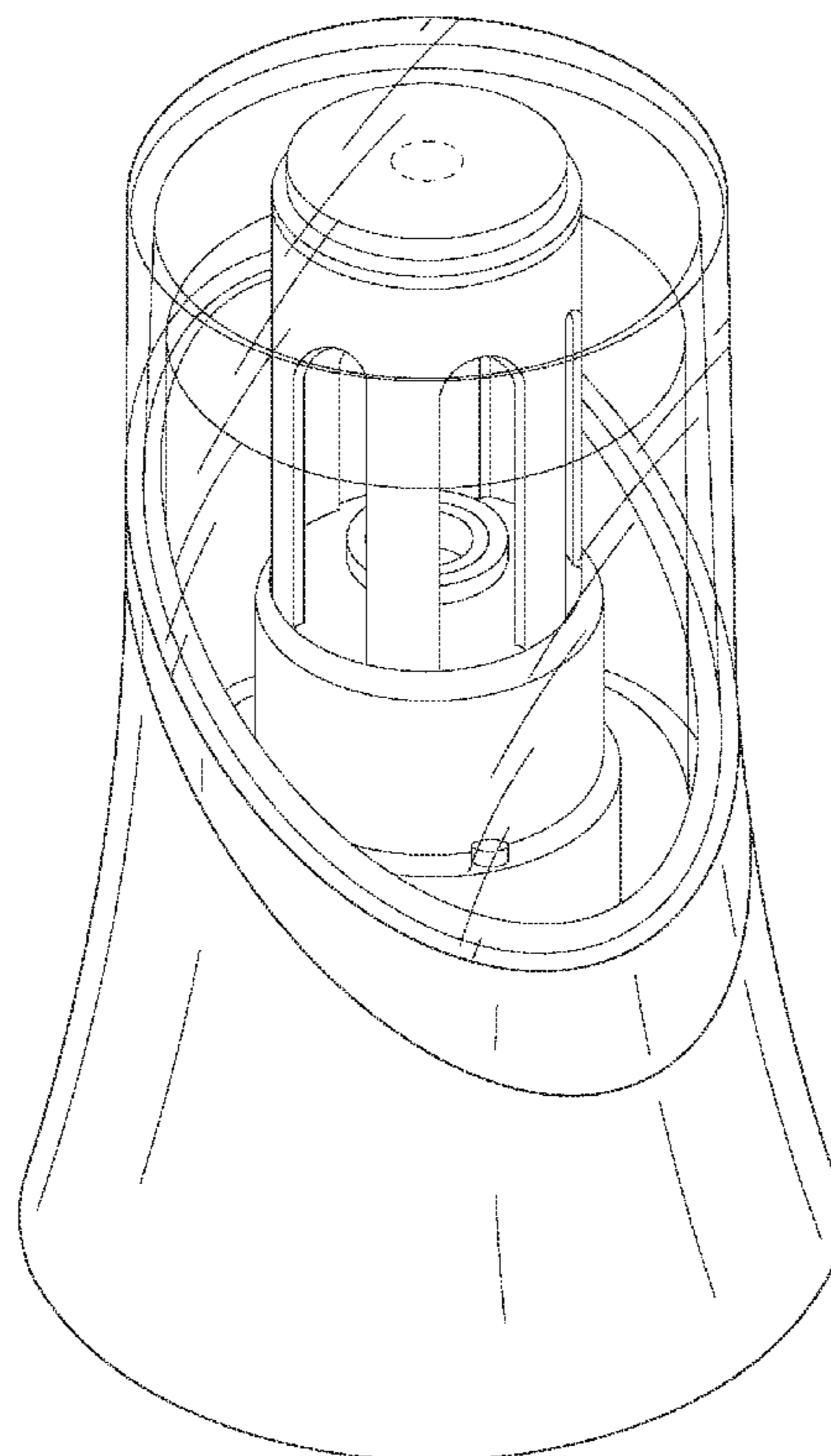
FIG. 5 is a right side view thereof;

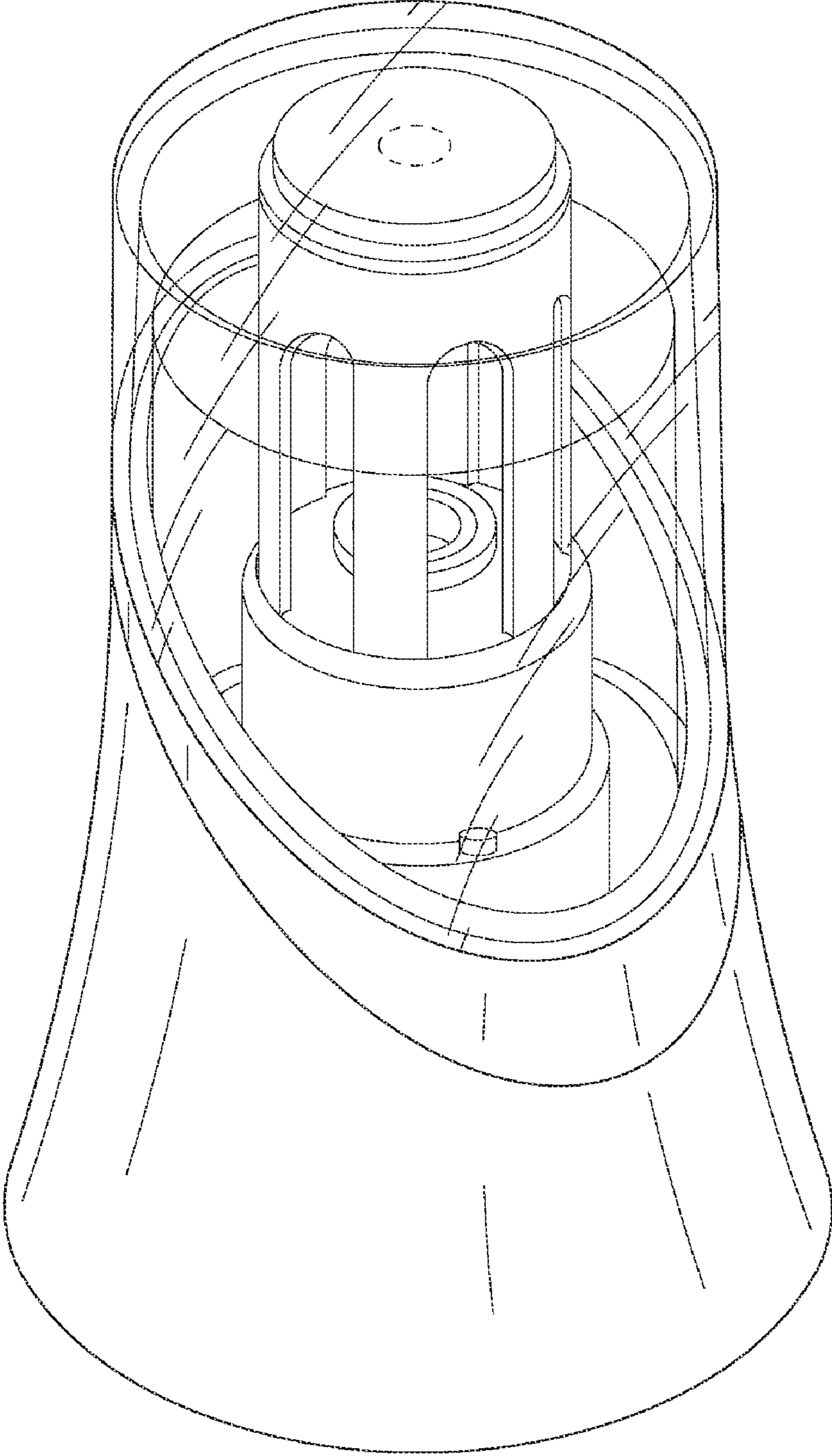
FIG. 6 is a top plan view thereof; and,

FIG. 7 is a bottom plan view thereof.

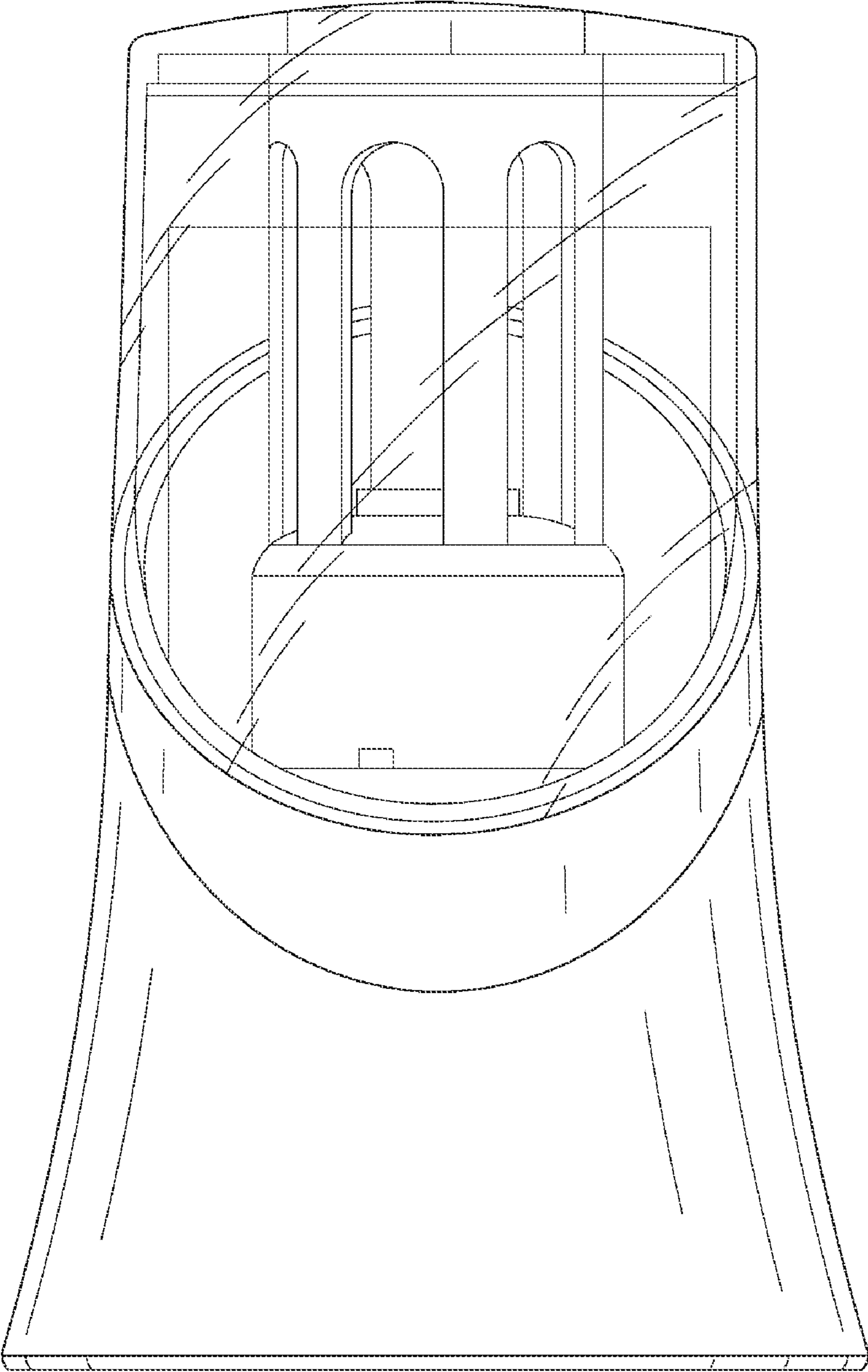
The broken lines showing portions of the top and bottom in FIGS. 1, 6, and 7 are included for the purpose of illustrating environment and form no part of the claimed design.

**1 Claim, 7 Drawing Sheets**





**FIG. 1**



**FIG. 2**

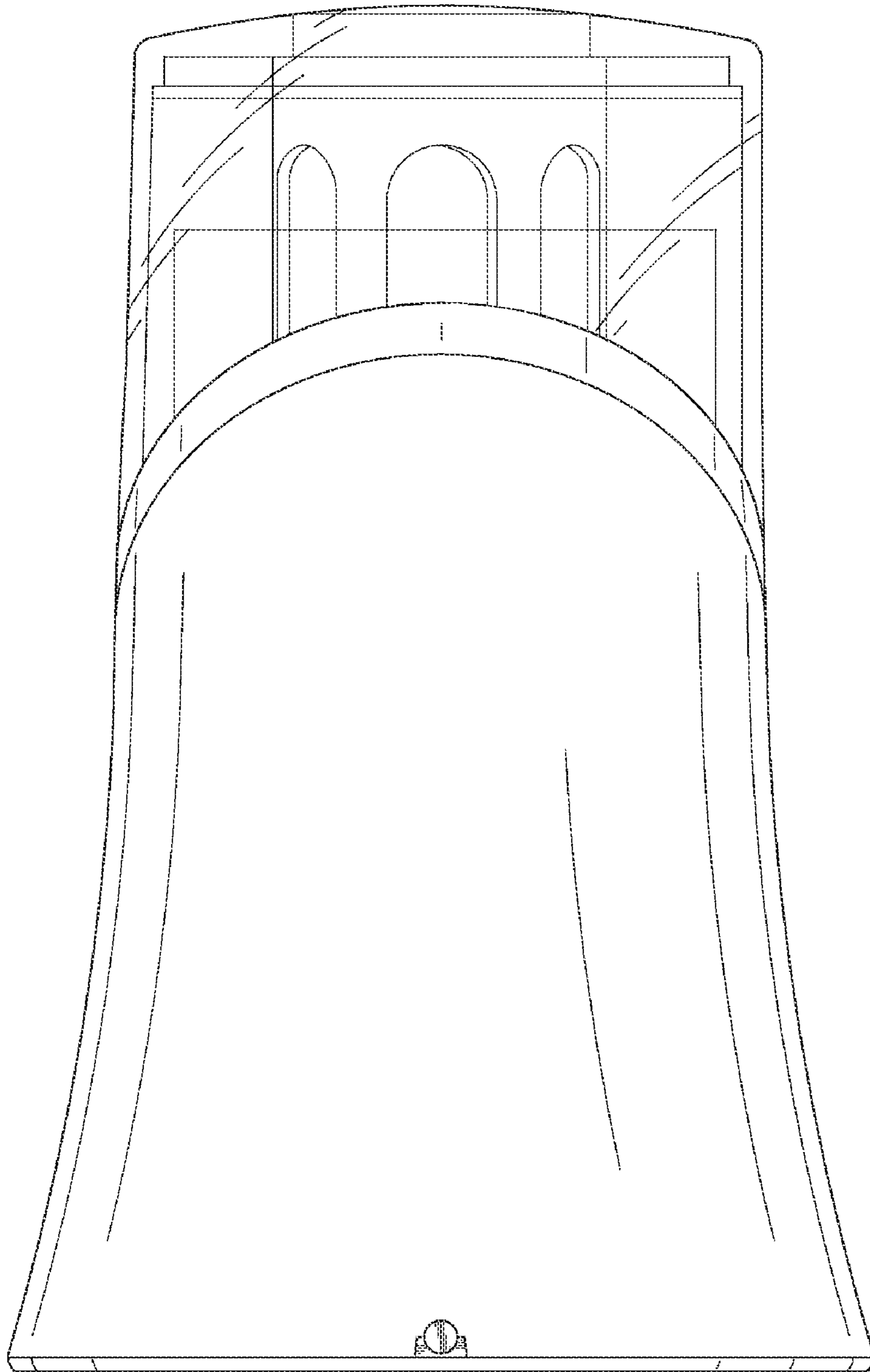
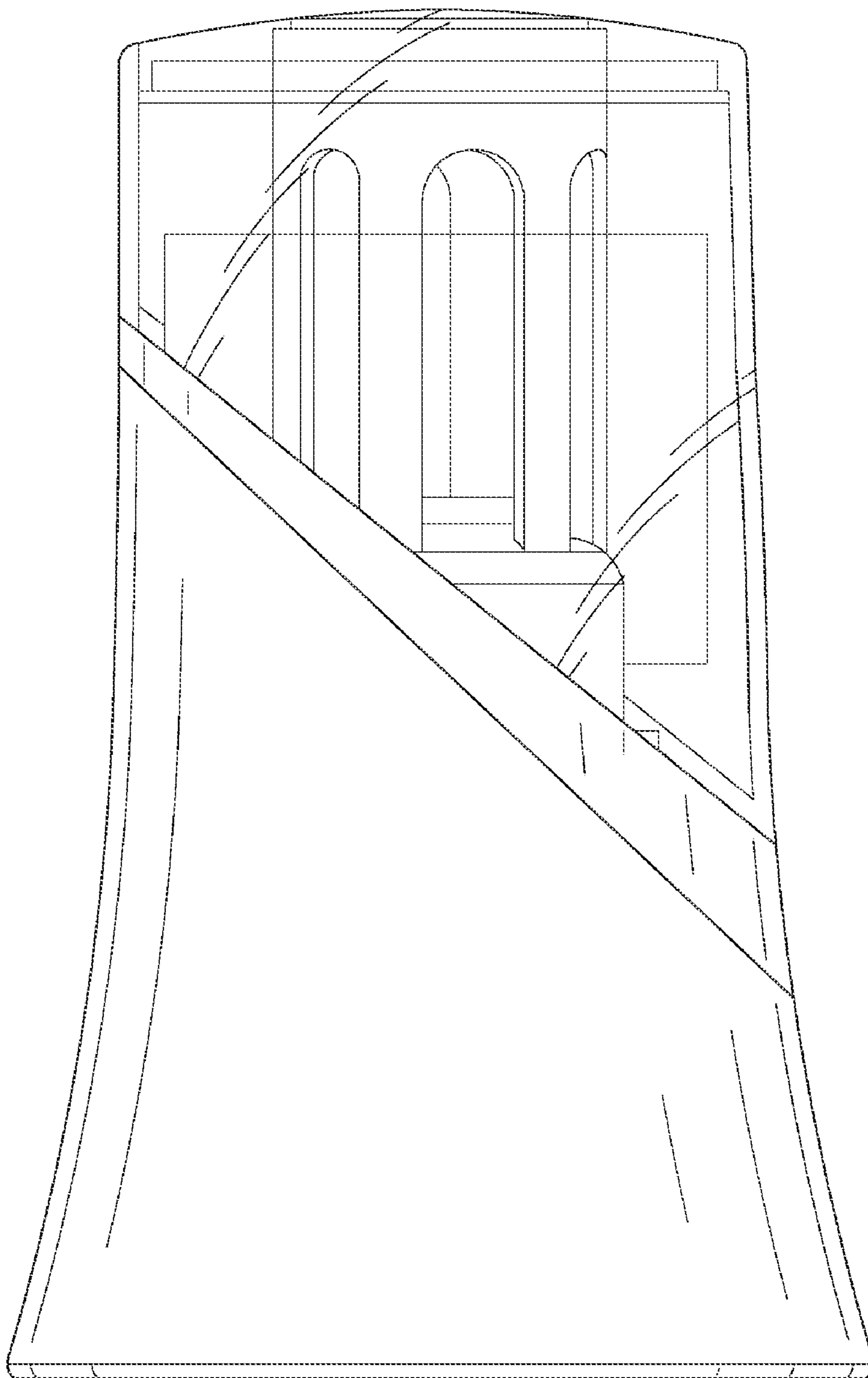
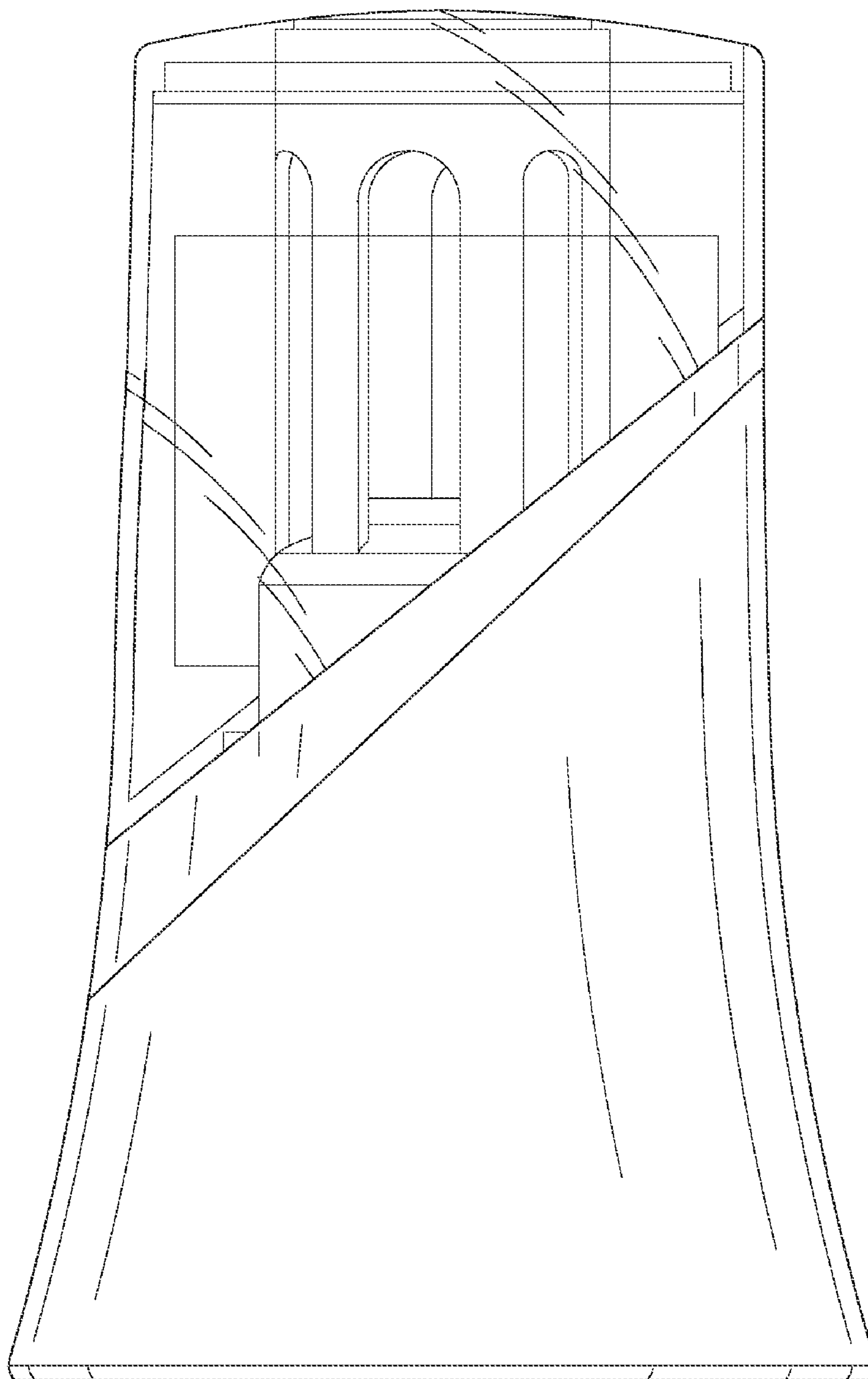


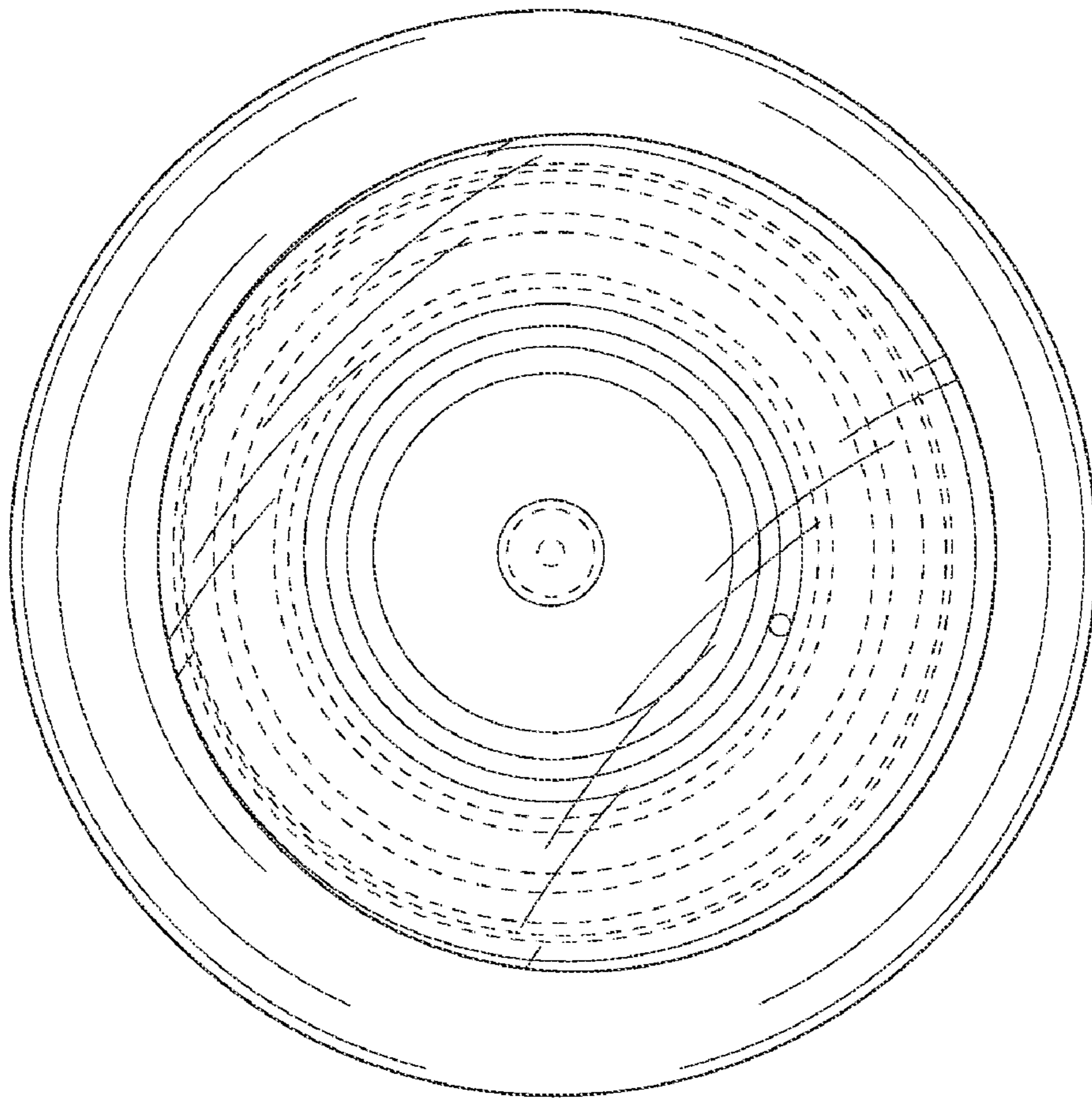
FIG. 3



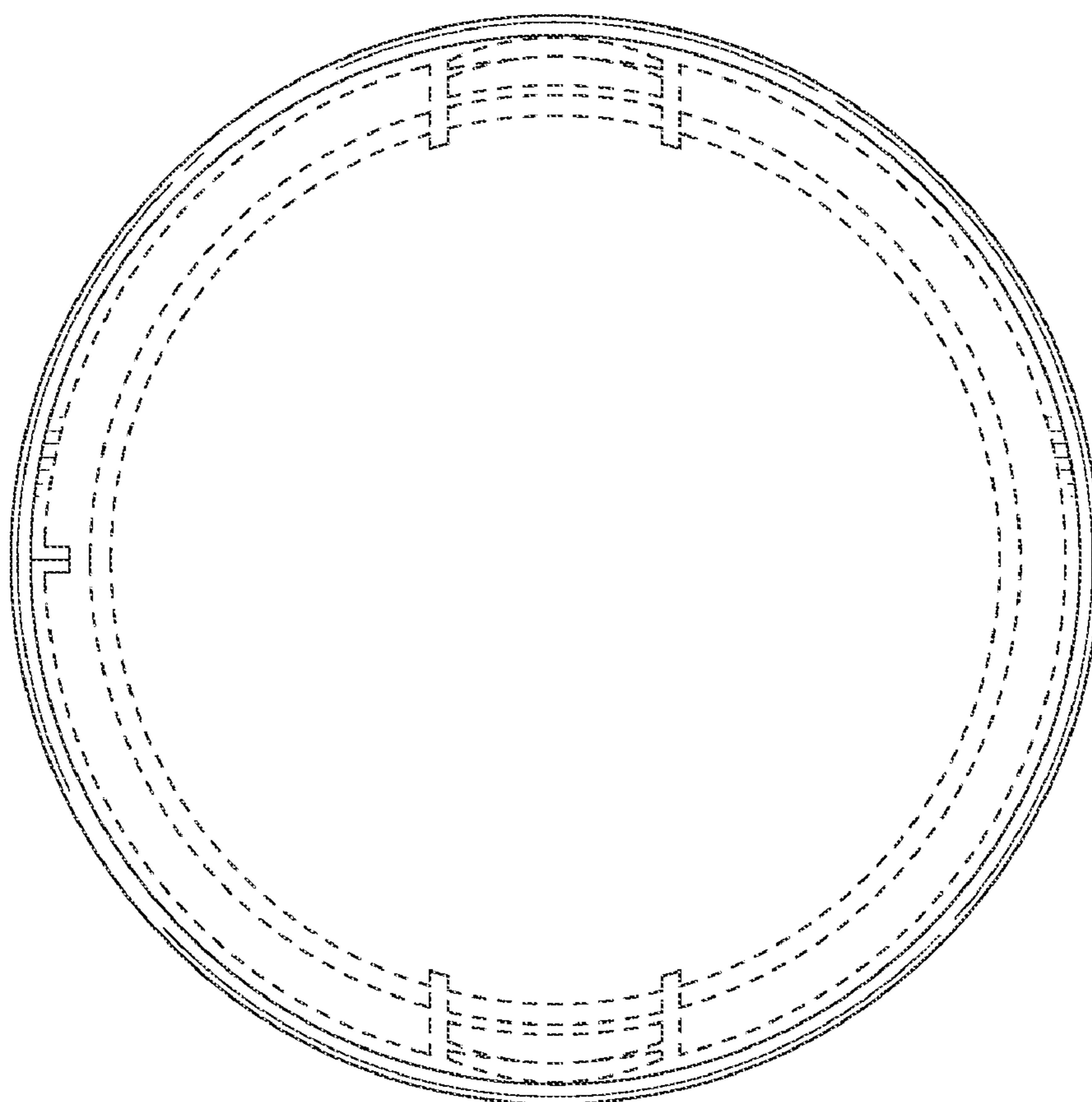
**FIG. 4**



**FIG. 5**



**FIG. 6**



**FIG. 7**