



US00D622769S

(12) **United States Design Patent**
Li

(10) **Patent No.:** **US D622,769 S**

(45) **Date of Patent:** **** Aug. 31, 2010**

(54) **PEN**

(75) **Inventor:** **Bin Li, Ningbo (CN)**

(73) **Assignee:** **Beifa Group Co., Ltd., Ningbo (CN)**

(**) **Term:** **14 Years**

(21) **Appl. No.:** **29/333,930**

(22) **Filed:** **Mar. 17, 2009**

(30) **Foreign Application Priority Data**

Oct. 9, 2008 (CN) 2008 3 0146721

(51) **LOC (9) Cl.** **19-06**

(52) **U.S. Cl.** **D19/50**

(58) **Field of Classification Search** D19/35,
D19/36, 41, 42, 43, 44, 45, 46, 47, 48, 49,
D19/50, 51, 54, 55, 56, 57; 24/11 F, 11 P,
24/11 R; 401/6, 52, 99, 100, 104, 105, 106,
401/107, 108, 109, 192, 195, 243, 244, 245,
401/246, 247

See application file for complete search history.

(56) **References Cited**

U.S. PATENT DOCUMENTS

D89,846 S * 5/1933 Anderson D19/48
D182,216 S * 2/1958 Zierhut D19/57
D263,318 S * 3/1982 Oka D19/51
D365,364 S * 12/1995 Tseng D19/50
D420,046 S * 2/2000 Meyer et al. D19/47
D423,049 S * 4/2000 Kohlhase D19/47
D433,705 S * 11/2000 Kohlhase D19/51
D438,246 S * 2/2001 Hollington et al. D19/51
D500,337 S 12/2004 Tsuchida
D500,338 S * 12/2004 Kommer D19/43
D508,717 S * 8/2005 Anand D19/50

D534,955 S 1/2007 Huxiong
D545,364 S * 6/2007 Ternovits D19/43
D545,367 S 6/2007 Ternovits
D546,884 S * 7/2007 Ternovits D19/51
D566,764 S * 4/2008 Kent et al. D19/50
D568,936 S 5/2008 Qiu
D572,753 S * 7/2008 Brigham et al. D19/41
D583,865 S * 12/2008 Kwok D19/49
D590,880 S * 4/2009 Kim et al. D19/50

FOREIGN PATENT DOCUMENTS

EM 000434832-0031 * 2/2006

OTHER PUBLICATIONS

Zhou, Y., "Pen," U.S. Appl. No. 29/323,587, filed Aug. 27, 2008.

* cited by examiner

Primary Examiner—Elizabeth A Albert

Assistant Examiner—Karen E Eldridge Powers

(74) *Attorney, Agent, or Firm*—Christensen O'Connor
Johnson Kindness PLLC

(57) **CLAIM**

The ornamental design for a pen, as shown and described.

DESCRIPTION

FIG. 1 is an upper front right perspective view of a pen showing my new design;

FIG. 2 is a left side elevation view of the pen shown in FIG. 1;

FIG. 3 is an enlarged top plan view thereof;

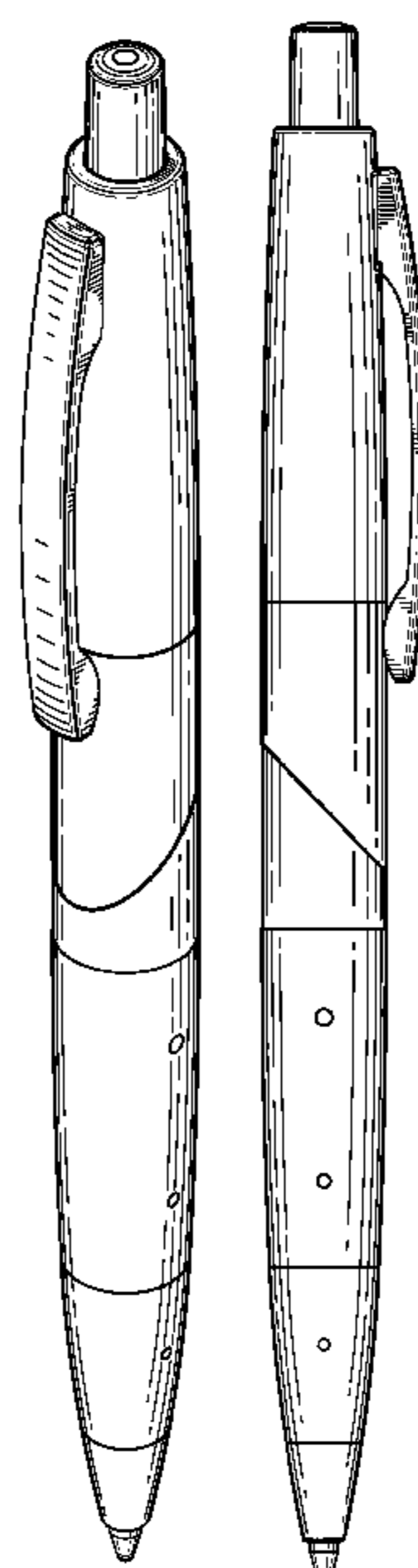
FIG. 4 is a front elevation view thereof;

FIG. 5 is a right side elevation view thereof;

FIG. 6 is an enlarged bottom plan view thereof; and,

FIG. 7 is a rear elevation view thereof.

1 Claim, 3 Drawing Sheets



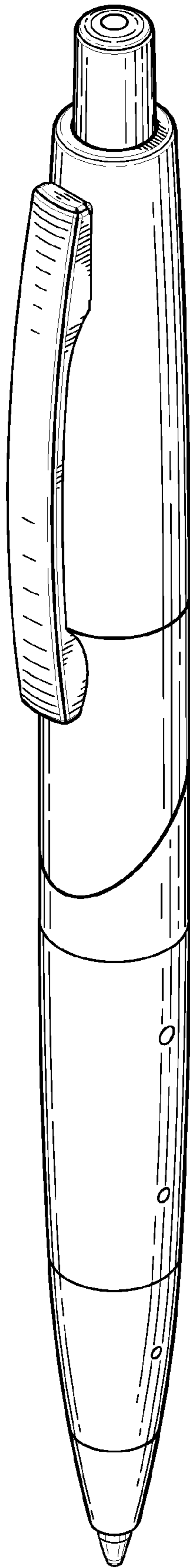


Fig. 1.

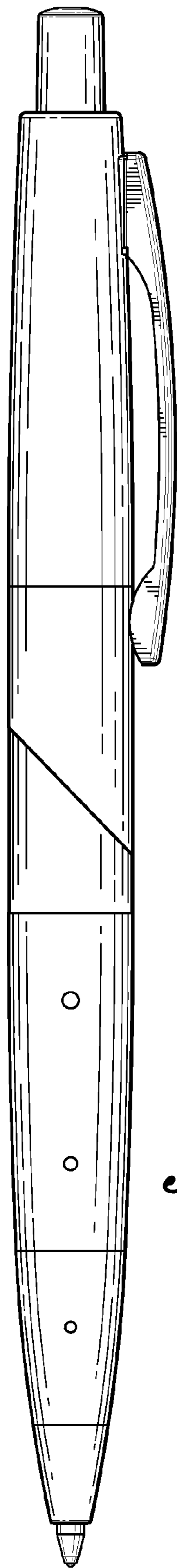


Fig. 2.

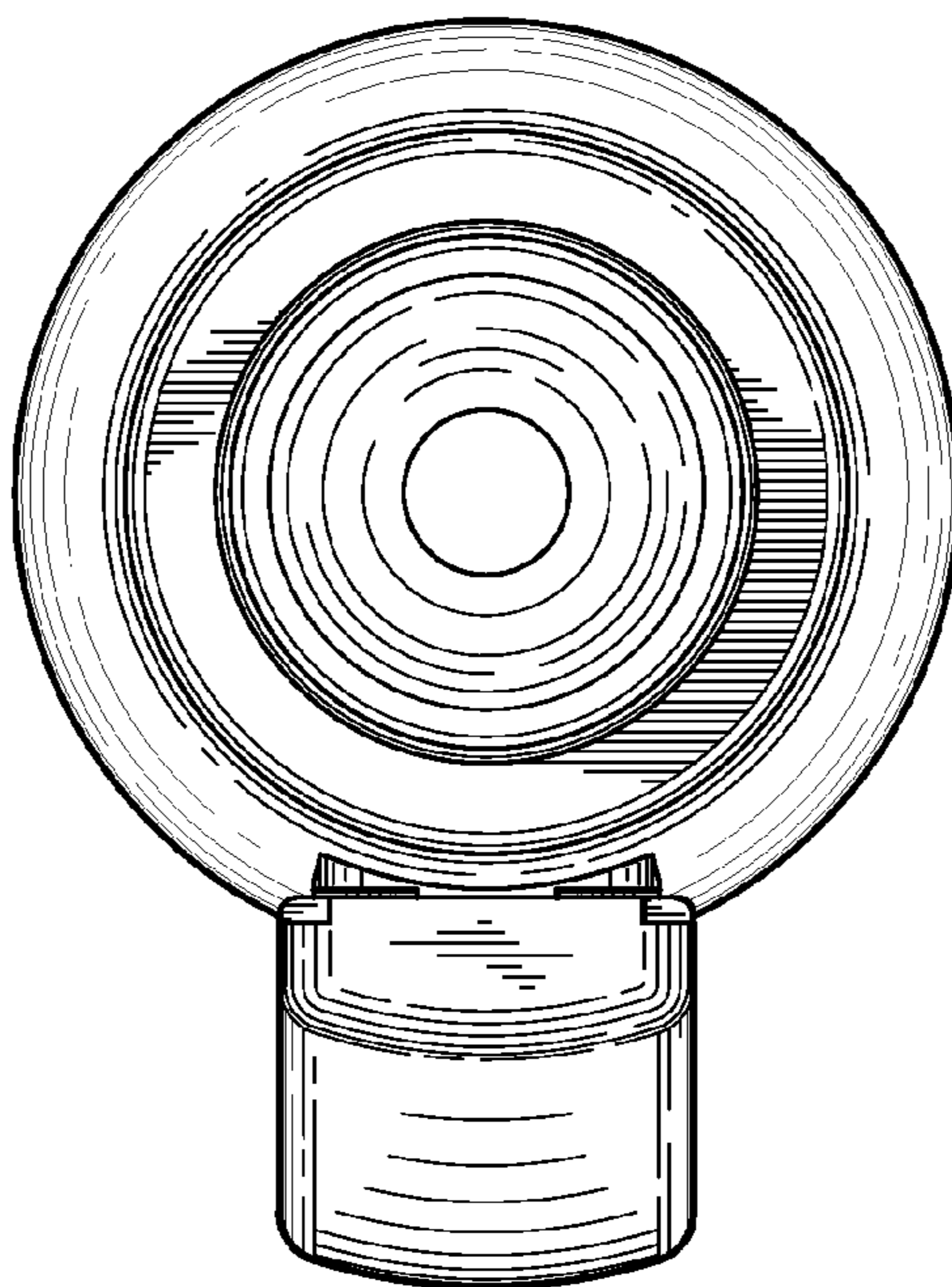


Fig. 3.

Fig. 4.



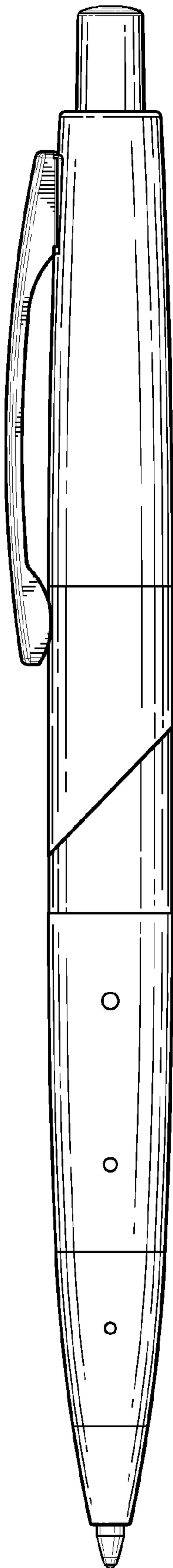


Fig. 5.

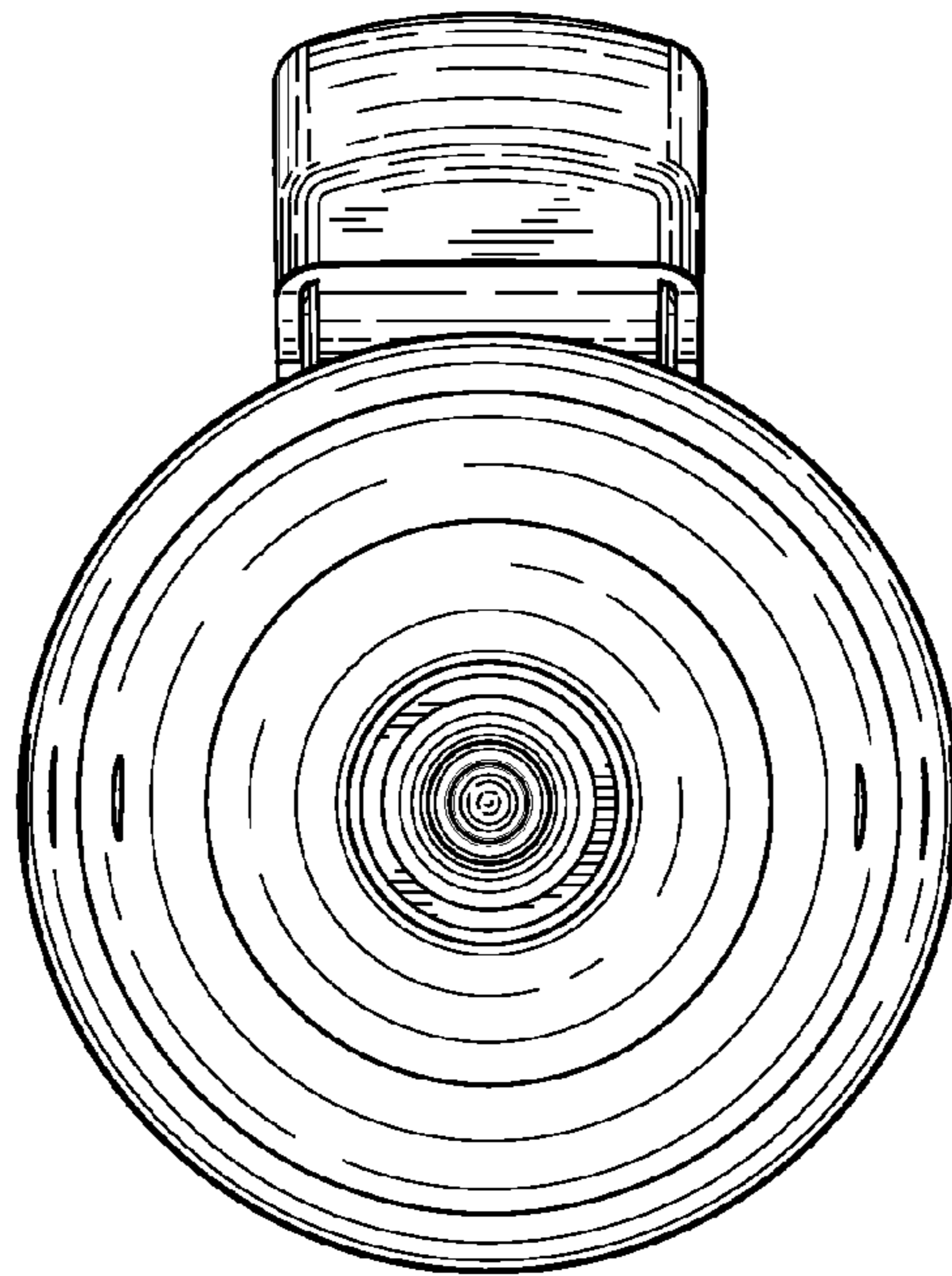


Fig. 6.

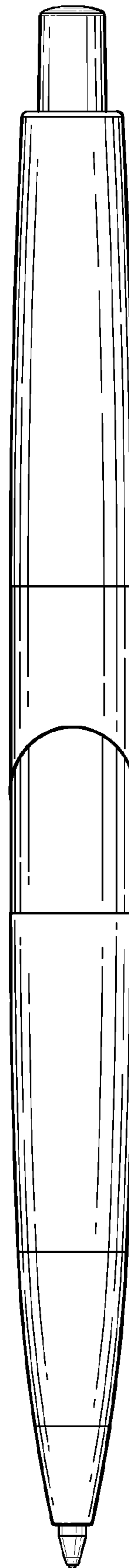


Fig. 7.