



US00D622764S

(12) **United States Design Patent**
Halbur et al.

(10) **Patent No.:** **US D622,764 S**

(45) **Date of Patent:** **** Aug. 31, 2010**

(54) **TRANSACTION CARD**

(75) Inventors: **Ted C. Halbur**, Lino Lakes, MN (US);
Jessica D. Albrecht, Woodbury, MN
(US); **Michael A. Bartalos**, San
Francisco, CA (US)

(73) Assignee: **Target Brands, Inc.**, Minneapolis, MN
(US)

(**) Term: **14 Years**

(21) Appl. No.: **29/353,174**

(22) Filed: **Jan. 4, 2010**

(51) **LOC (9) Cl.** **19-08**

(52) **U.S. Cl.** **D19/9**

(58) **Field of Classification Search** D19/1-34,
D19/100; 40/124.01, 672, 661, 776, 726,
40/617; 283/72, 74, 75, 103, 105, 106; D6/407,
D6/632; 235/380, 449, 487, 492, 493, 488;
206/449, 815, 315; D20/10, 22, 27, 40, 11,
D20/39, 43; D14/435-437, 478

See application file for complete search history.

(56) **References Cited**

U.S. PATENT DOCUMENTS

1,333,686 A	3/1920	Sptoswood
1,764,063 A	6/1930	Youngberg
2,536,155 A	1/1951	Brand
2,545,804 A	3/1951	Butler
3,103,080 A	9/1963	Desmond
3,399,473 A	9/1968	Jaffe
3,624,938 A	12/1971	Richard
3,686,480 A	8/1972	Bowerman
4,043,055 A	8/1977	Zegel
4,078,320 A	3/1978	Christ
4,100,689 A	7/1978	Broune
4,597,743 A	7/1986	Becker et al.
4,804,133 A	2/1989	Kiyokane
D308,989 S	7/1990	Cohen
D310,545 S	9/1990	Avittan
4,958,455 A	9/1990	Jacobsen
D316,278 S	4/1991	Cohen

D330,225 S	10/1992	Cohen
5,152,090 A	10/1992	Jacobsen
D379,831 S	6/1997	Lush
5,669,165 A	9/1997	Santorsola
D386,399 S	11/1997	Stokely et al.
D401,259 S	11/1998	Chapman et al.
D408,056 S	4/1999	Broyles
D426,857 S	6/2000	Savage
6,085,451 A	7/2000	Riehle
D445,142 S	7/2001	Dupont
D484,543 S	12/2003	Lachner, Sr.

(Continued)

OTHER PUBLICATIONS

“GO-Tag™ Solution,” firstdata.com, 2008, 2 pages.

Primary Examiner—Ian Simmons

Assistant Examiner—Abraham Bahta

(74) *Attorney, Agent, or Firm*—Griffiths & Seaton PLLC

(57) **CLAIM**

The ornamental design for a transaction card, as shown and described.

DESCRIPTION

FIG. 1 is a front perspective view of a transaction card showing our new design;

FIG. 2 is a front view thereof;

FIG. 3 is a rear view thereof;

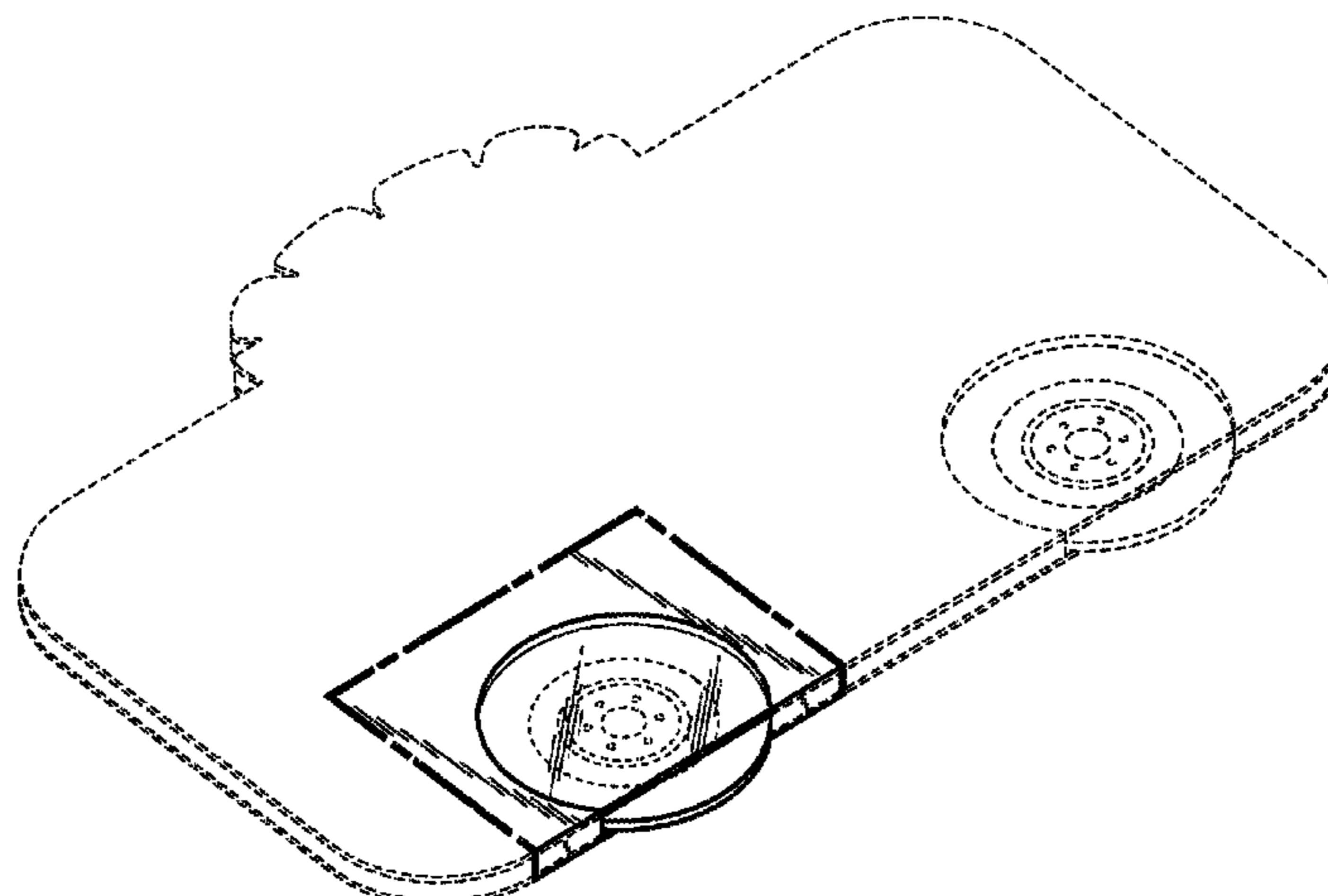
FIG. 4 is a top view thereof;

FIG. 5 is bottom view thereof; and,

FIG. 6 is a right side view thereof, the left side view being a mirror image of the right side view.

The broken lines shown in the figures are for illustrative purposes only and form no part of the claimed design. The bolded dash-dot-dash lines indicate boundaries of the claimed subject matter while all other broken lines illustrate unclaimed portions of the design.

1 Claim, 3 Drawing Sheets



US D622,764 S

Page 2

U.S. PATENT DOCUMENTS

6,832,730 B2	12/2004	Conner et al.				
6,871,432 B2	3/2005	Lacroix				
D510,595 S	10/2005	Cook, Jr.				
D522,573 S	6/2006	Lauer				
D523,076 S	6/2006	Lauer et al.				
D530,752 S	10/2006	Goldblatt				
D547,396 S	7/2007	Yaguchi				
7,264,155 B2	9/2007	Halbur et al.				
D554,180 S	10/2007	Qvale				
D560,715 S *	1/2008	Hogg et al.	D19/9		
7,314,179 B1	1/2008	Halbur et al.				
D570,909 S	6/2008	Masters				
D570,910 S *	6/2008	Parker et al.	D19/9		
D575,332 S *	8/2008	Parker et al.	D19/9		
D582,991 S	12/2008	McCowan				
D599,849 S *	9/2009	Halbur et al.	D19/10		
D615,585 S *	5/2010	Skinner et al.	D19/10		
D616,021 S *	5/2010	Halbur	D19/9		
2002/0143697 A1	10/2002	Gotfried				
2007/0266605 A1	11/2007	Halbur et al.				
2008/0083145 A1	4/2008	Wynalda, Jr. et al.				
2008/0149728 A1	6/2008	Lindahl et al.				
2009/0166433 A1	7/2009	Halbur et al.				
2009/0166437 A1	7/2009	Reynolds et al.				
2009/0308919 A1	12/2009	Sheldon et al.				

* cited by examiner

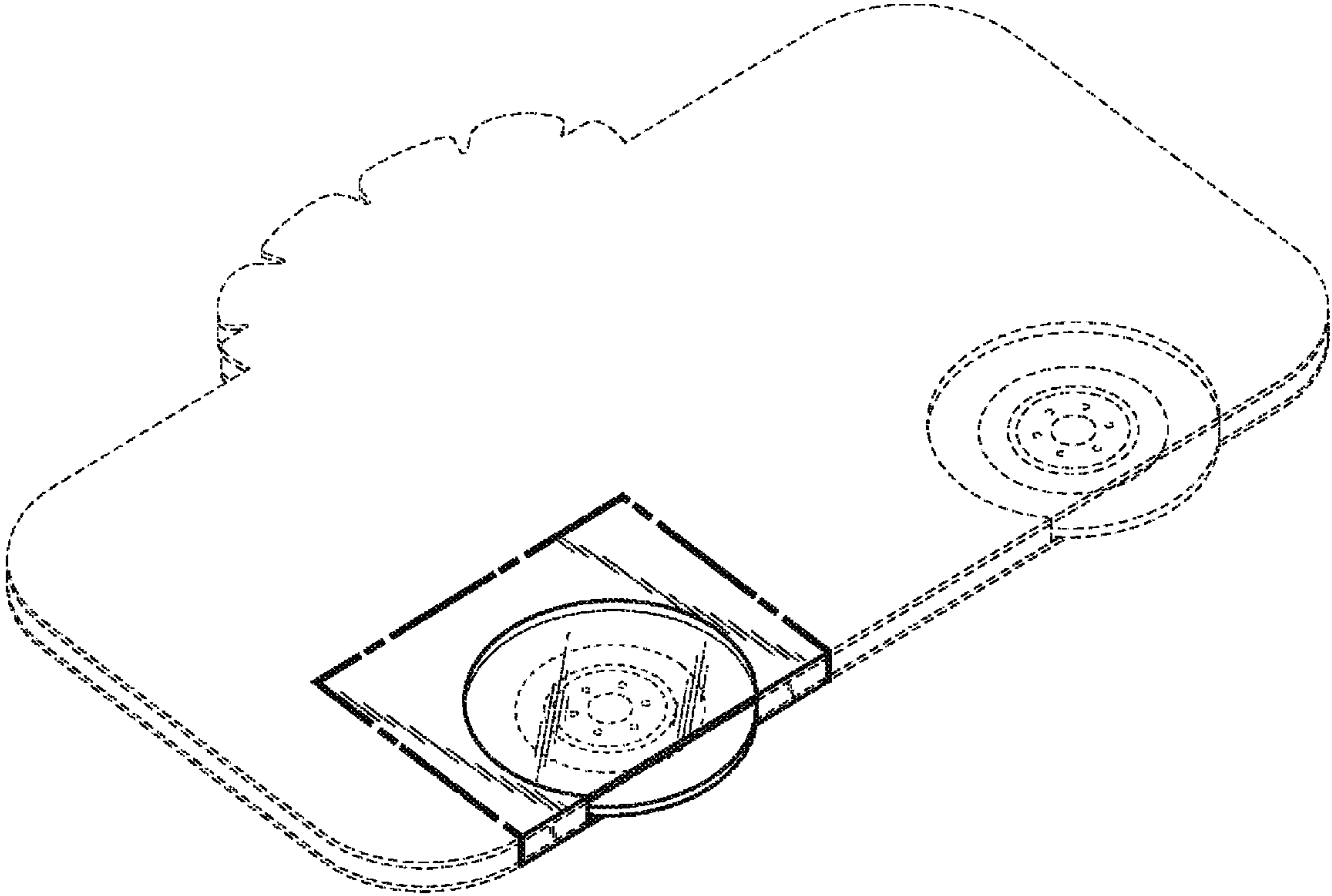


Fig. 1

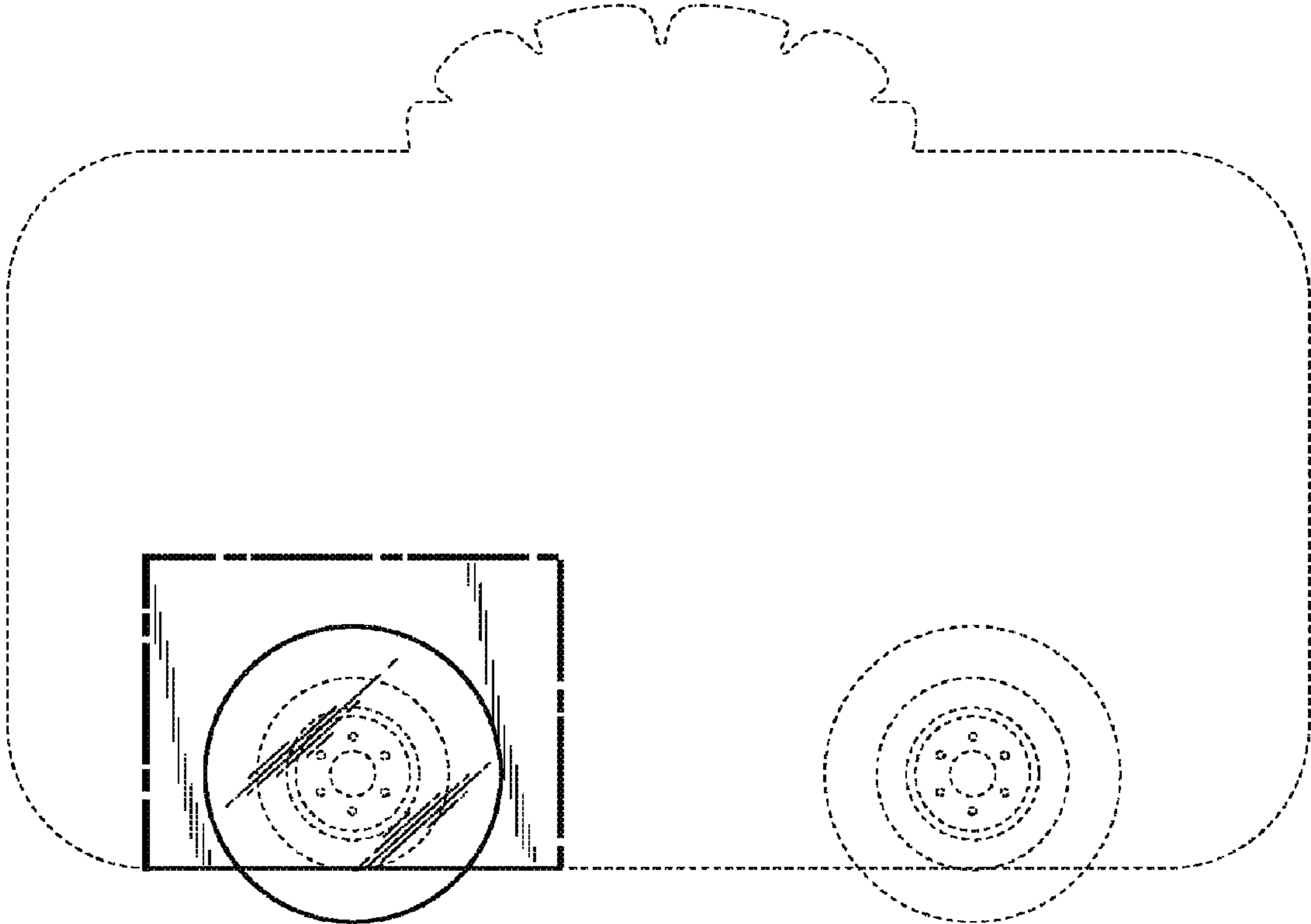


Fig. 2

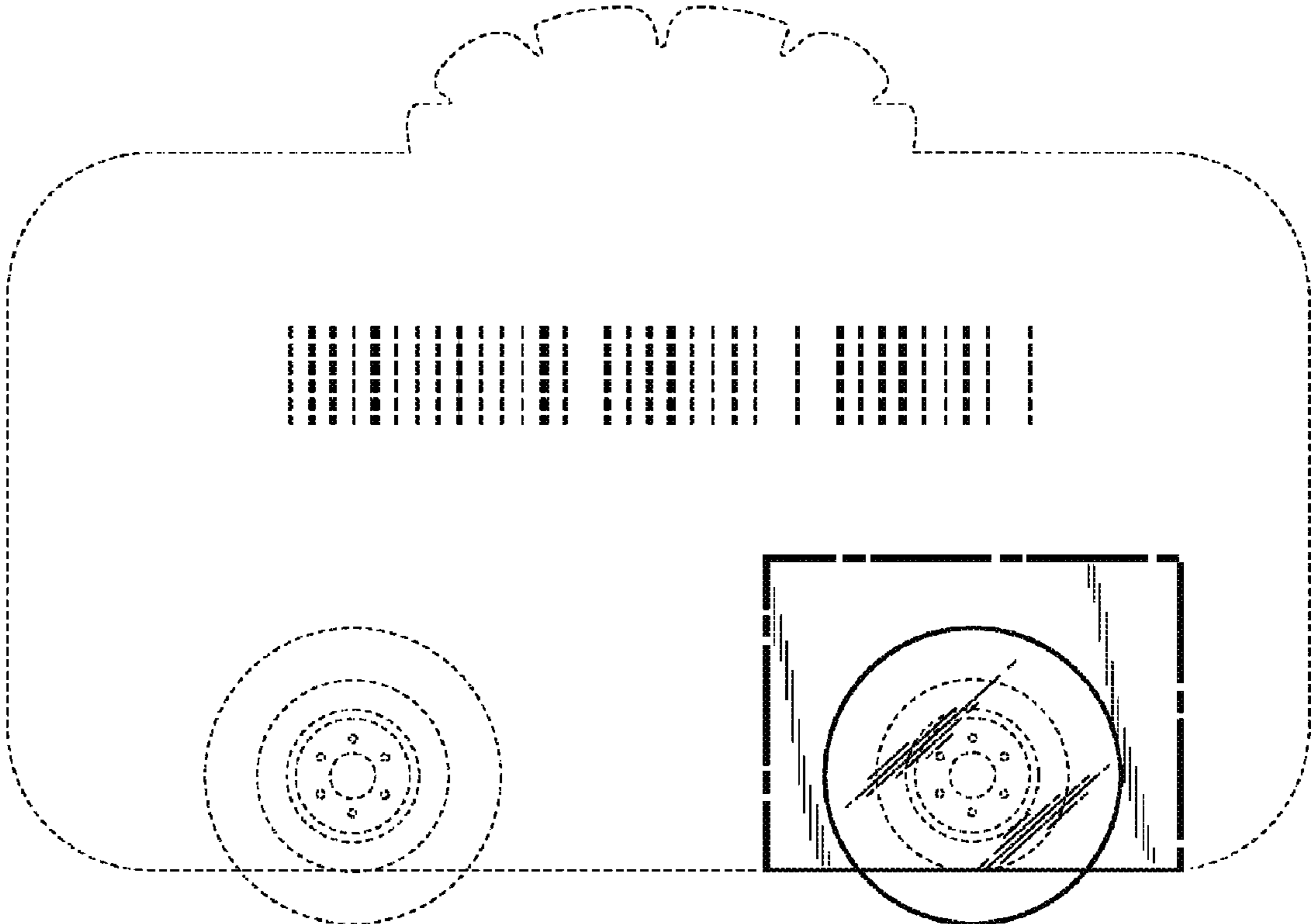


Fig. 3

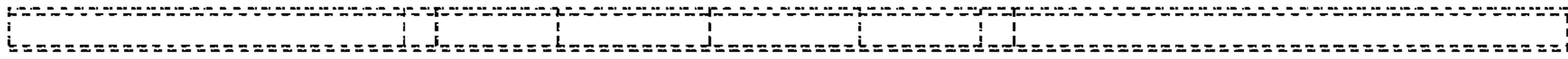


Fig. 4

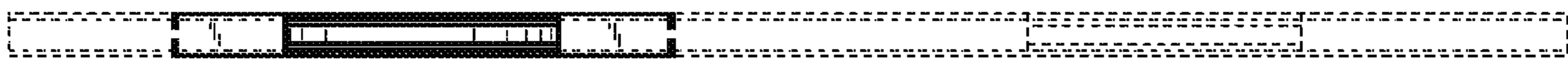


Fig. 5



Fig. 6