



US00D622763S

(12) **United States Design Patent**
Lamm et al.

(10) **Patent No.:** **US D622,763 S**
(45) **Date of Patent:** **** Aug. 31, 2010**

(54) **TRANSACTION CARD AND SUPPORT ASSEMBLY**

(75) Inventors: **Katherine Lamm**, Minneapolis, MN (US); **Pamela Ahlvers**, Lakeville, MN (US)

(73) Assignee: **Target Brands, Inc.**, Minneapolis, MN (US)

(**) Term: **14 Years**

(21) Appl. No.: **29/352,745**

(22) Filed: **Dec. 24, 2009**

(51) **LOC (9) Cl.** **19-08**

(52) **U.S. Cl.** **D19/9**

(58) **Field of Classification Search** D19/1-11, D19/100; 40/124.01, 672, 661, 776, 726, 40/617, 625, 626; 283/72, 74-75, 106-107, 283/109, 904; D6/632, 407, 613, 616, 583, D6/588; 235/380, 449, 487, 492, 493, 488, 235/382; 206/449, 815, 315; D20/10, 11, D20/17, 22, 27, 39, 40, 43; D14/435-438, D14/478; 428/106; 144/332; D7/698; D25/150
See application file for complete search history.

(56) **References Cited**

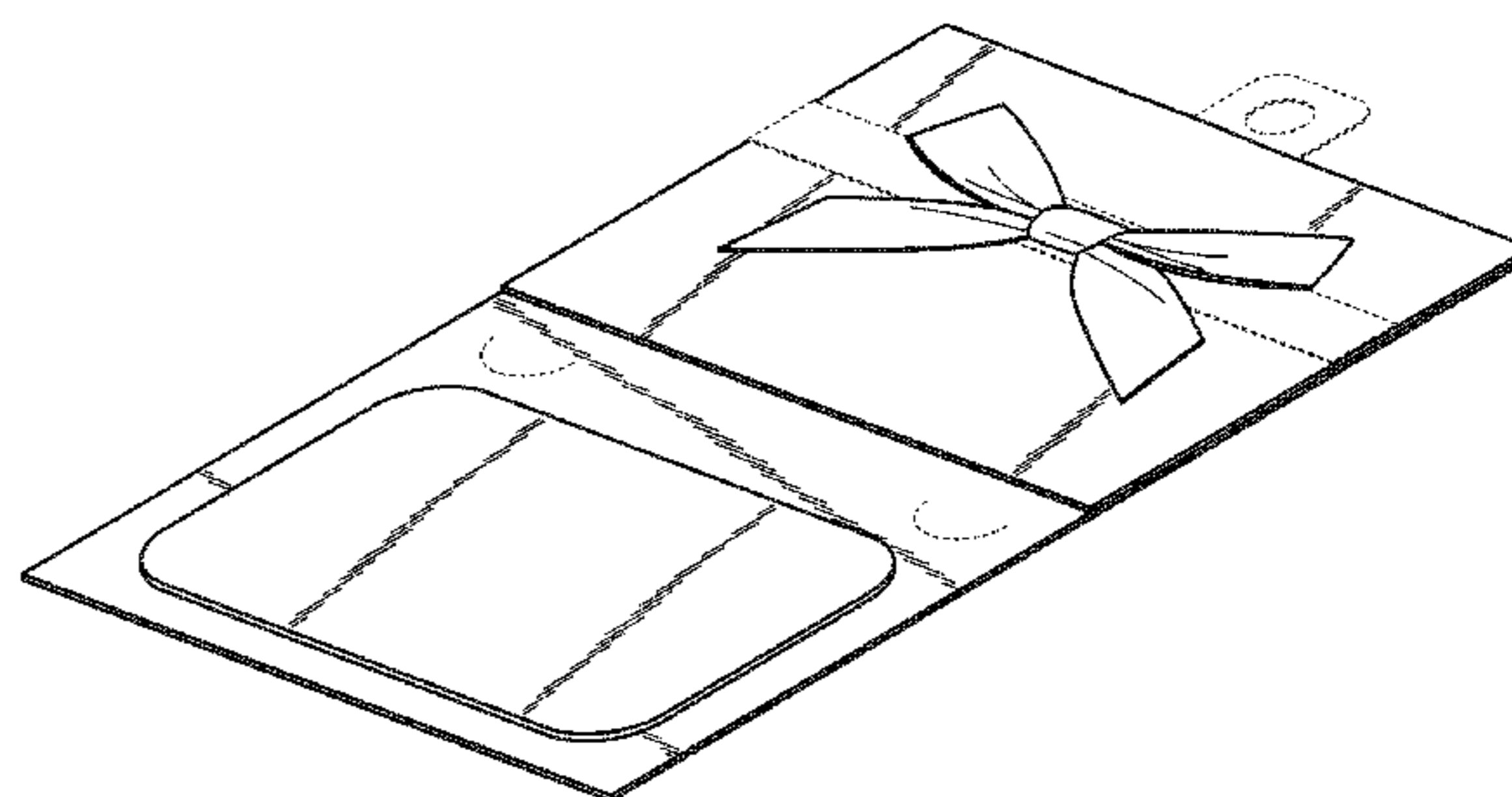
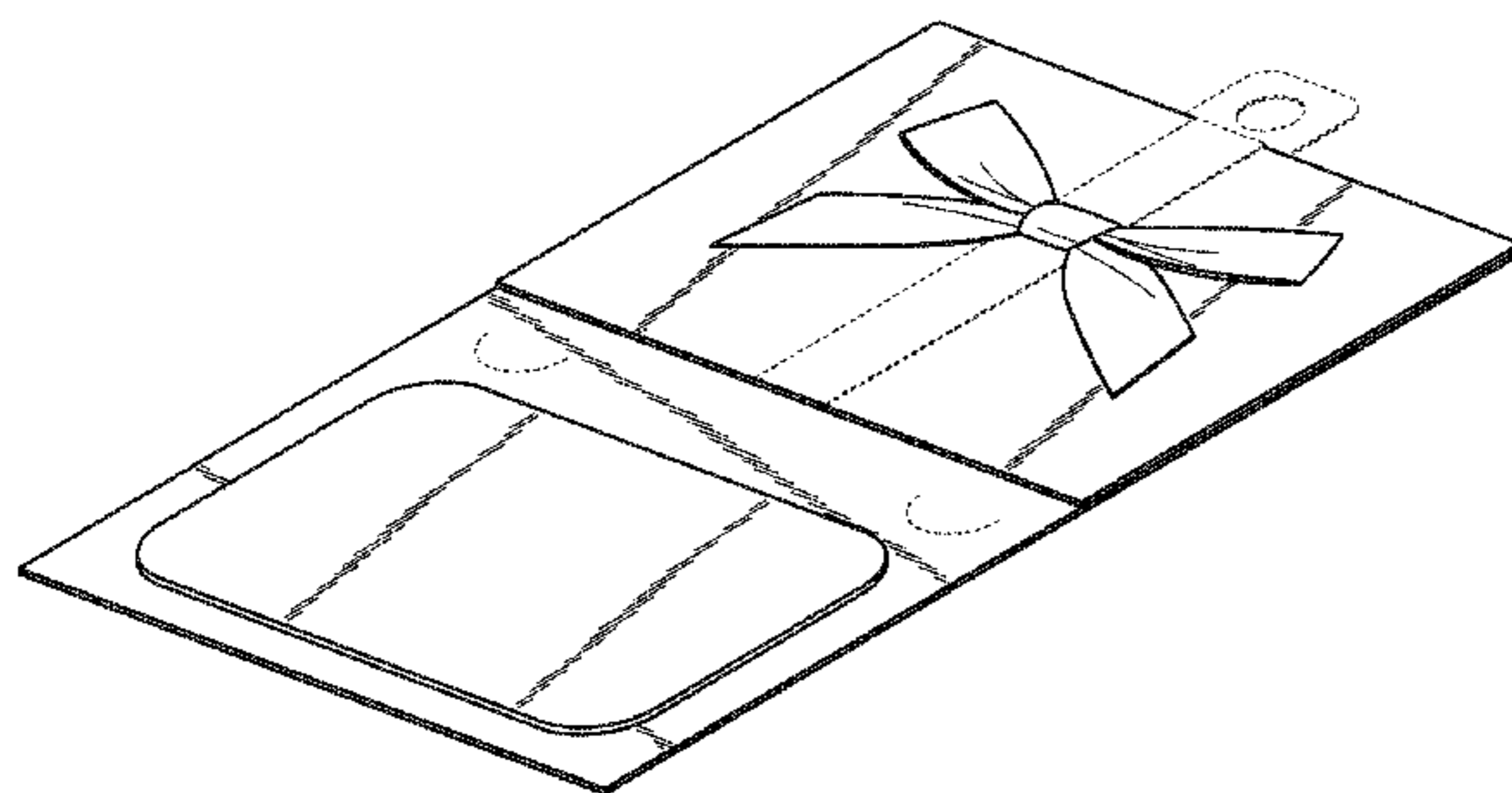
U.S. PATENT DOCUMENTS

2,360,916	A	10/1944	Von Trott
5,497,876	A	3/1996	Fleming
5,650,209	A	7/1997	Ramsburg et al.
5,667,247	A	9/1997	Ramsburg et al.
D385,488	S	10/1997	Smith et al.
5,720,158	A	2/1998	Goade, Sr.
D394,387	S	5/1998	Williams
5,760,381	A	6/1998	Stich et al.
5,777,305	A	7/1998	Smith et al.
5,921,584	A	7/1999	Goade, Sr.
6,086,971	A	7/2000	Haas et al.
6,109,439	A	8/2000	Goade, Sr.
6,224,108	B1	5/2001	Klure
6,315,206	B1	11/2001	Hansen et al.
6,328,341	B2	12/2001	Klure

6,349,829	B1	2/2002	Matheis et al.
6,439,613	B2	8/2002	Klure
6,493,970	B1	12/2002	McCarthy et al.
6,619,480	B2	9/2003	Smith
6,666,378	B2	12/2003	Davila et al.
6,698,116	B2	3/2004	Waldron
6,715,795	B2	4/2004	Klure
6,732,459	B1	5/2004	Clark
6,877,263	B2	4/2005	Clark
D512,456	S	12/2005	Diaz et al.
7,011,249	B2	3/2006	Tang
7,024,807	B2	4/2006	Street
7,040,049	B2	5/2006	Cox et al.
7,219,829	B2	5/2007	Treat
7,222,797	B2	5/2007	Davila et al.
D553,675	S *	10/2007	Hogg D19/9
D554,180	S *	10/2007	Qvale D19/9
7,275,683	B2	10/2007	Lazarowicz et al.
D559,905	S *	1/2008	Halbur et al. D19/9
7,322,519	B2 *	1/2008	Blank et al. 235/380
D570,910	S *	6/2008	Parker et al. D19/9
D575,332	S *	8/2008	Parker et al. D19/9
7,409,788	B2	8/2008	Lauer et al.
D615,585	S *	5/2010	Skinner et al. D19/10
D616,021	S *	5/2010	Halbur D19/9
2003/0150762	A1	8/2003	Biller
2005/0017502	A1	1/2005	Chariker
2005/0279825	A1	12/2005	Ashby et al.
2006/0151348	A1	7/2006	Willard
2006/0208062	A1	9/2006	Osborn et al.
2007/0022647	A1	2/2007	Miller et al.
2007/0045401	A1	3/2007	Sturm
2007/0063021	A1	3/2007	Chakiris et al.
2007/0063052	A1	3/2007	Chakiris et al.
2007/0094901	A1	5/2007	Kibbe et al.
2007/0246527	A1	10/2007	Tang
2007/0251994	A1	11/2007	Kingsborough et al.
2008/0095441	A1	4/2008	Rosskamm et al.
2008/0290180	A1	11/2008	Lauer et al.
2009/0112711	A1	4/2009	Clegg et al.

OTHER PUBLICATIONS

Wal-Mart Gift Card Packaging, publicly available at least as early as Nov. 2009.
U.S. Appl. No. 29/325,678, entitled "Retail Package," filed Oct. 3, 2008.



U.S. Appl. No. 12/572,817, entitled “Account Application Product, Associated Package and Method for Processing an Associated Application,” filed Oct. 2, 2009.

Gift Card with Packaging publicly available and offered for sale at Best Buy stores at least as early as Nov. 16, 2009.

“Ribbons for Handmade Cards,” <http://www.exploringwomanhood.com/homelife/ideas/pom-may04.htm>, printed on Oct. 21, 2009.

“Make Your Own Card,” Handmade Card Making Supplies, <http://make-your-own-card.com/make-your-own-card/handmade-card-making-supplies>, Sep. 23, 2009.

“How to Make Gift Card Holders,” http://www.ehow.com/how_4906760_gift-card-holders.html, printed on Oct. 20, 2009.

Andrea Walford, “Tutorial Tuesday: Envelope Gift Card Holder + Dyeing your Taffeta Ribbon,” <http://andreawalford.com/?p=583>, printed on Oct. 20, 2009.

Natasha Lawrence, “How to Use Ribbons on Homemade Cards,” http://www.ehow.com/how_5056888_use-ribbons-homemade-cards.html, printed on Oct. 21, 2009.

Gift Card Package publicly on sale more than one year prior to Dec. 24, 2009, 1 page.

* cited by examiner

Primary Examiner—Ian Simmons

Assistant Examiner—Abraham Bahta

(74) *Attorney, Agent, or Firm*—Griffiths & Seaton PLLC

(57) **CLAIM**

The ornamental design for a transaction card and support assembly, as shown and described.

DESCRIPTION

FIG. 1 is a front, perspective view of a transaction card and support assembly showing a first embodiment of our new design in a first configuration;

FIG. 2 is a rear, perspective view thereof;

FIG. 3 is a front view thereof;

FIG. 4 is a rear view thereof;

FIG. 5 is a right side view thereof, the left side view being a mirror image of the right side view;

FIG. 6 is a top view thereof; and

FIG. 7 is a bottom view thereof.

FIG. 8 is a front, perspective view of the transaction card and support assembly of FIG. 1 in a second, folded configuration;

FIG. 9 is a front view thereof;

FIG. 10 is a rear view thereof;

FIG. 11 is a right side view thereof, the left side view being a mirror image of the right side view;

FIG. 12 is a top view thereof; and

FIG. 13 is a bottom view thereof.

FIG. 14 is a front, perspective view of a transaction card and support assembly showing a second embodiment of our new design in a first configuration;

FIG. 15 is a rear, perspective view thereof;

FIG. 16 is a front view thereof;

FIG. 17 is a rear view thereof;

FIG. 18 is a right side view thereof, the left side view being a mirror image of the right side view;

FIG. 19 is a top view thereof; and

FIG. 20 is a bottom view thereof.

FIG. 21 is a front, perspective view of the transaction card and support assembly of FIG. 14 in a second, folded configuration;

FIG. 22 is a front view thereof;

FIG. 23 is a rear view thereof;

FIG. 24 is a right side view thereof, the left side view being a mirror image of the right side view;

FIG. 25 is a top view thereof; and,

FIG. 26 is a bottom view thereof.

The features shown in broken lines depict environmental or other associated subject matter (e.g., a ribbon or other strip of material across a front surface of the transaction card and support assembly) and form no part of the claimed design. The dot-dash lines indicate boundaries of the claim, and all other broken lines indicate other unclaimed portions of the design.

1 Claim, 14 Drawing Sheets

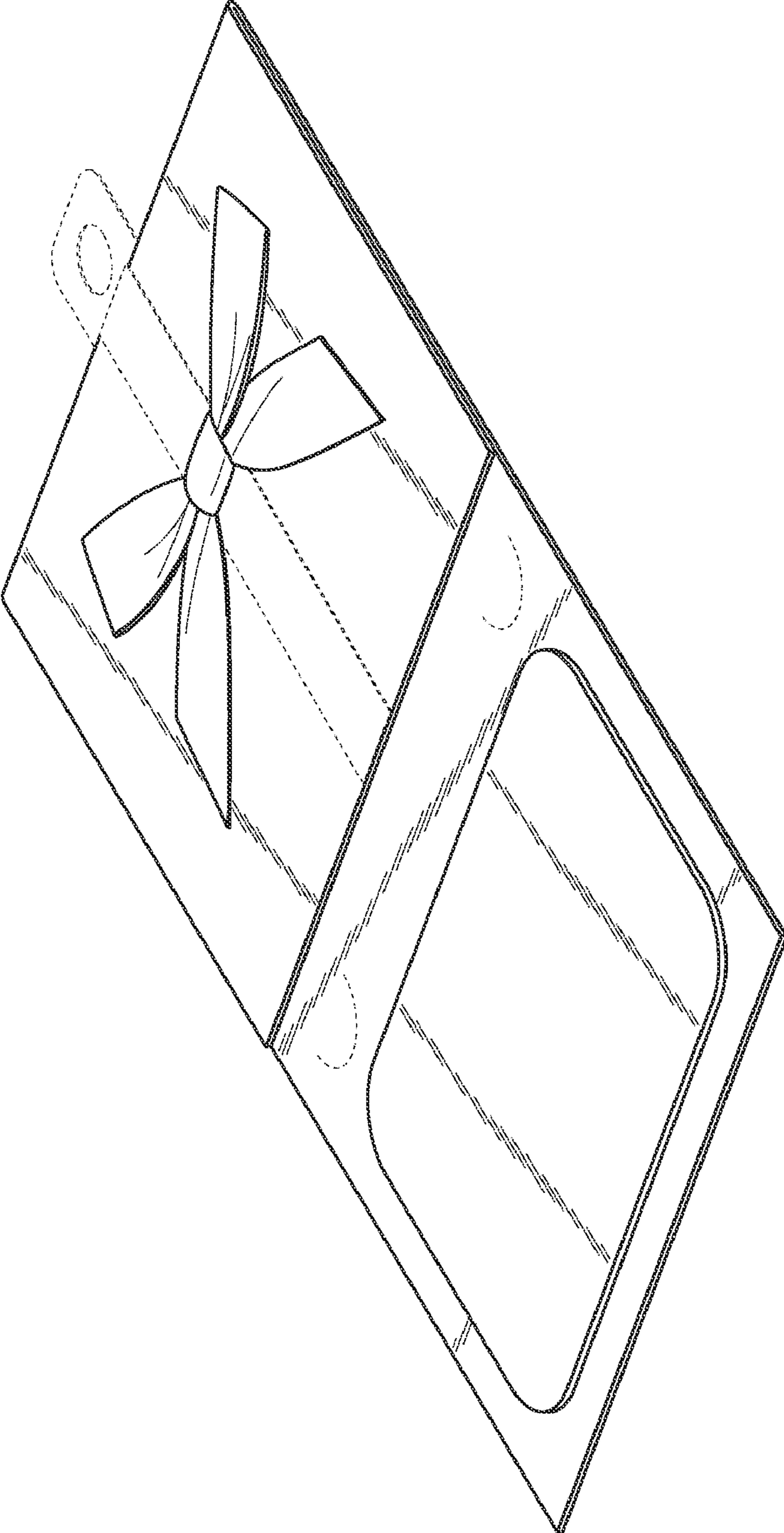


Fig. 1

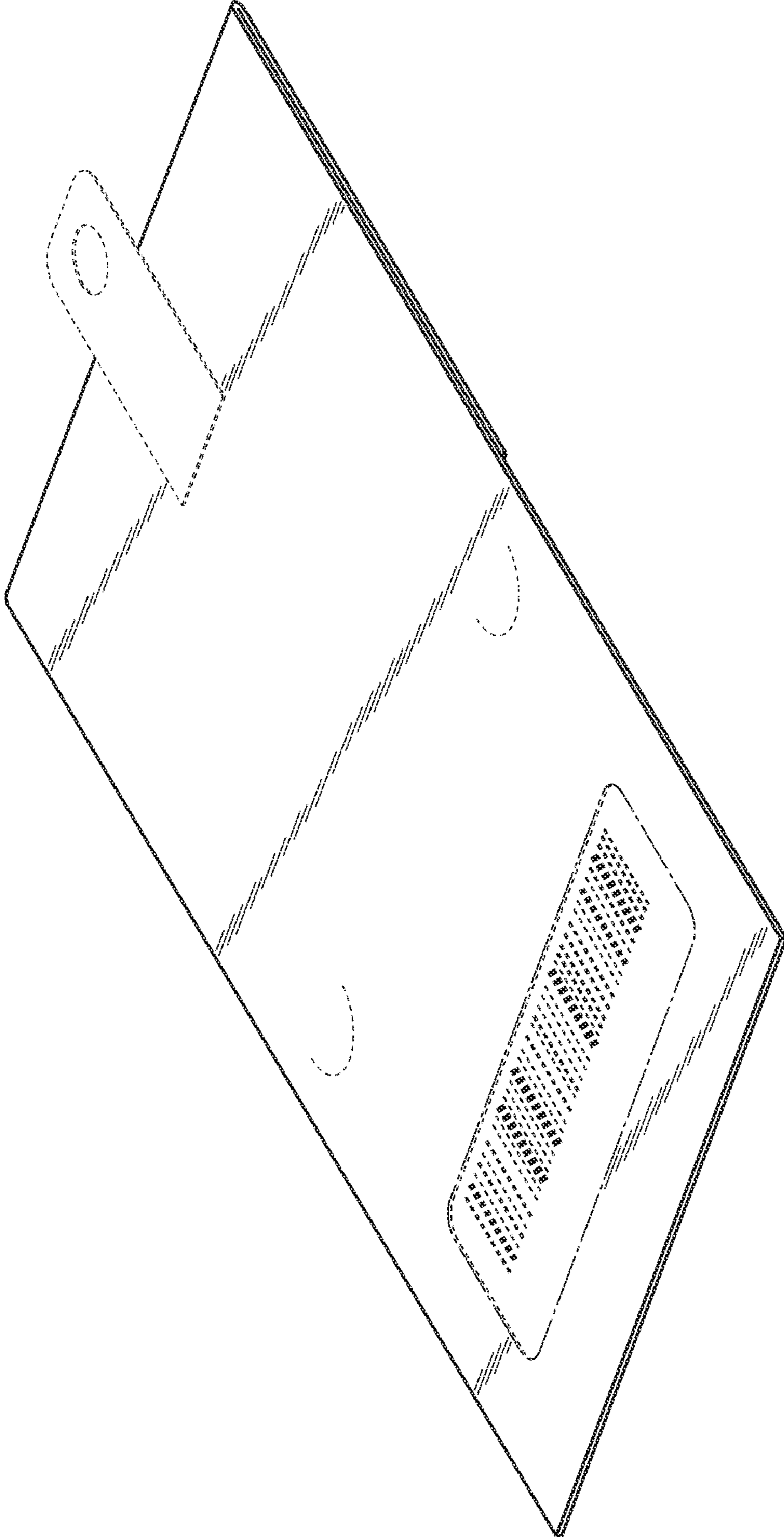


Fig. 2

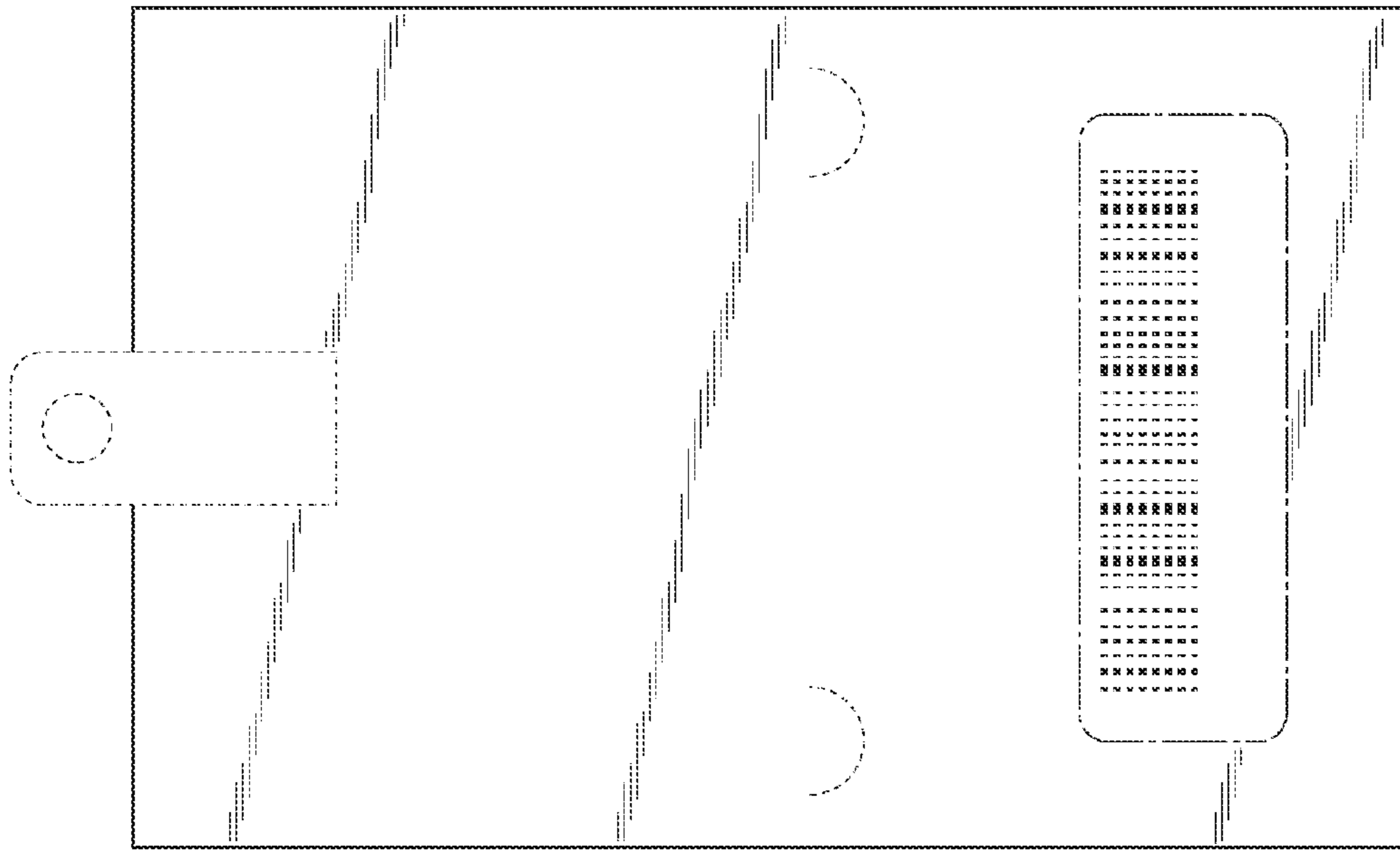


Fig. 4

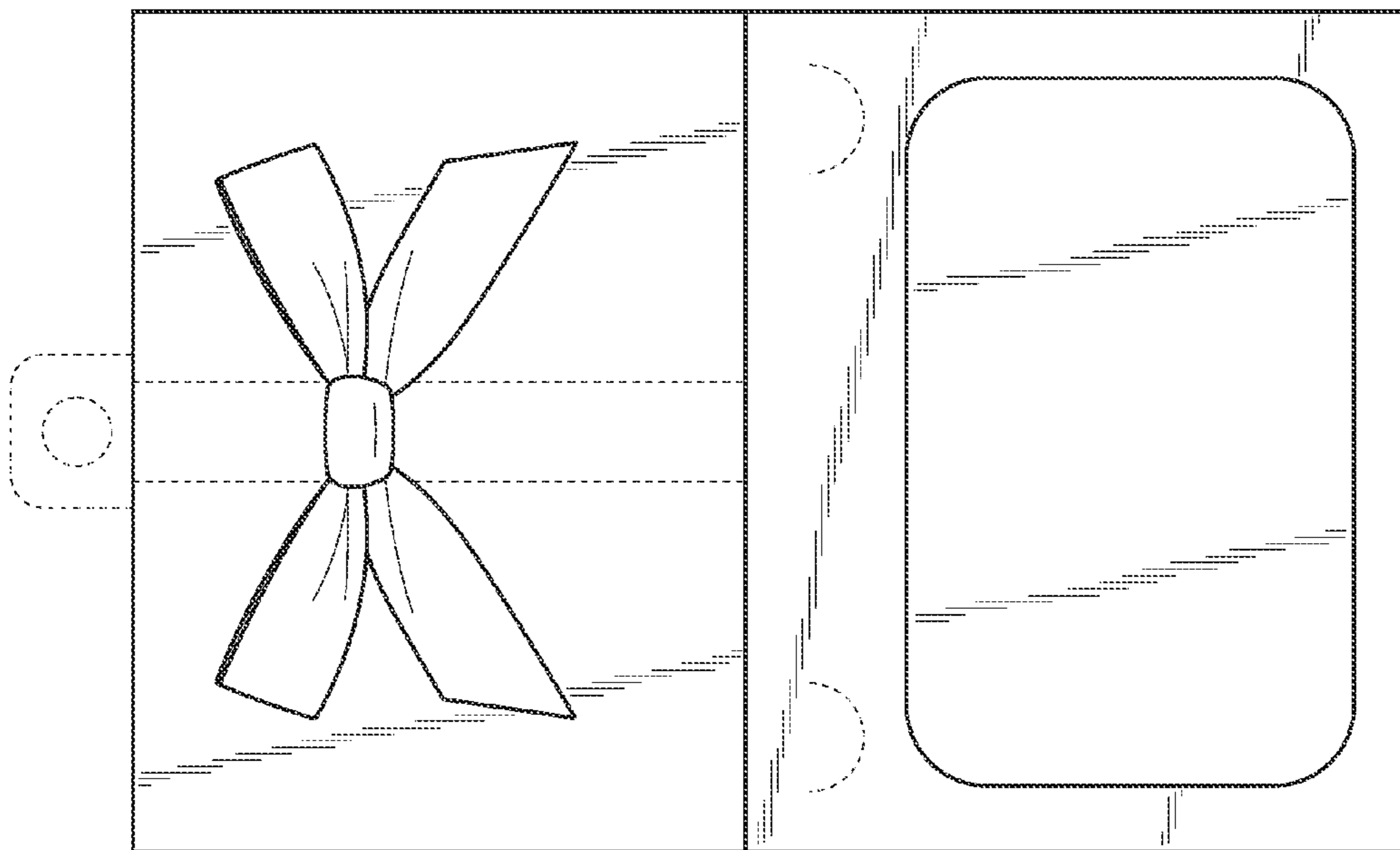


Fig. 3

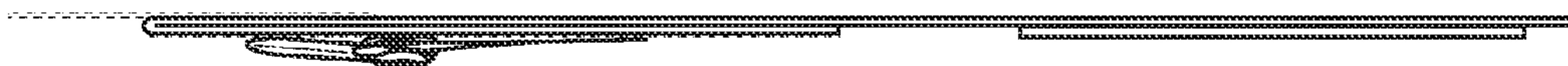


Fig. 5

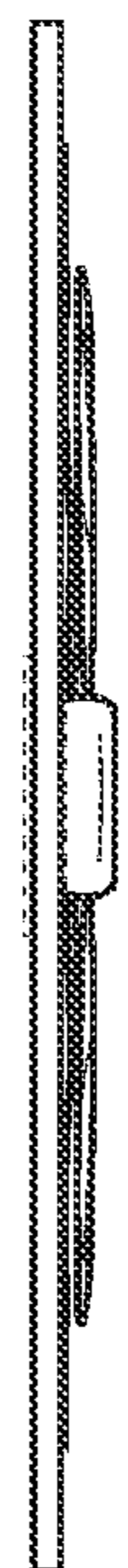


Fig. 6

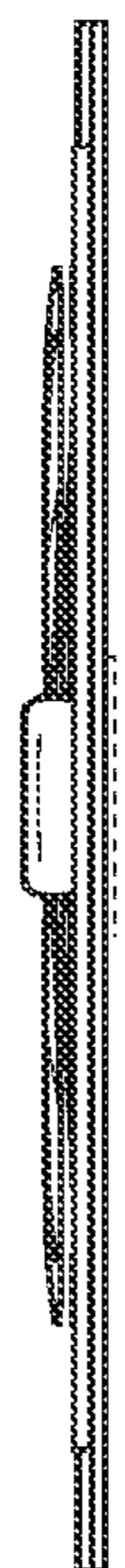


Fig. 7

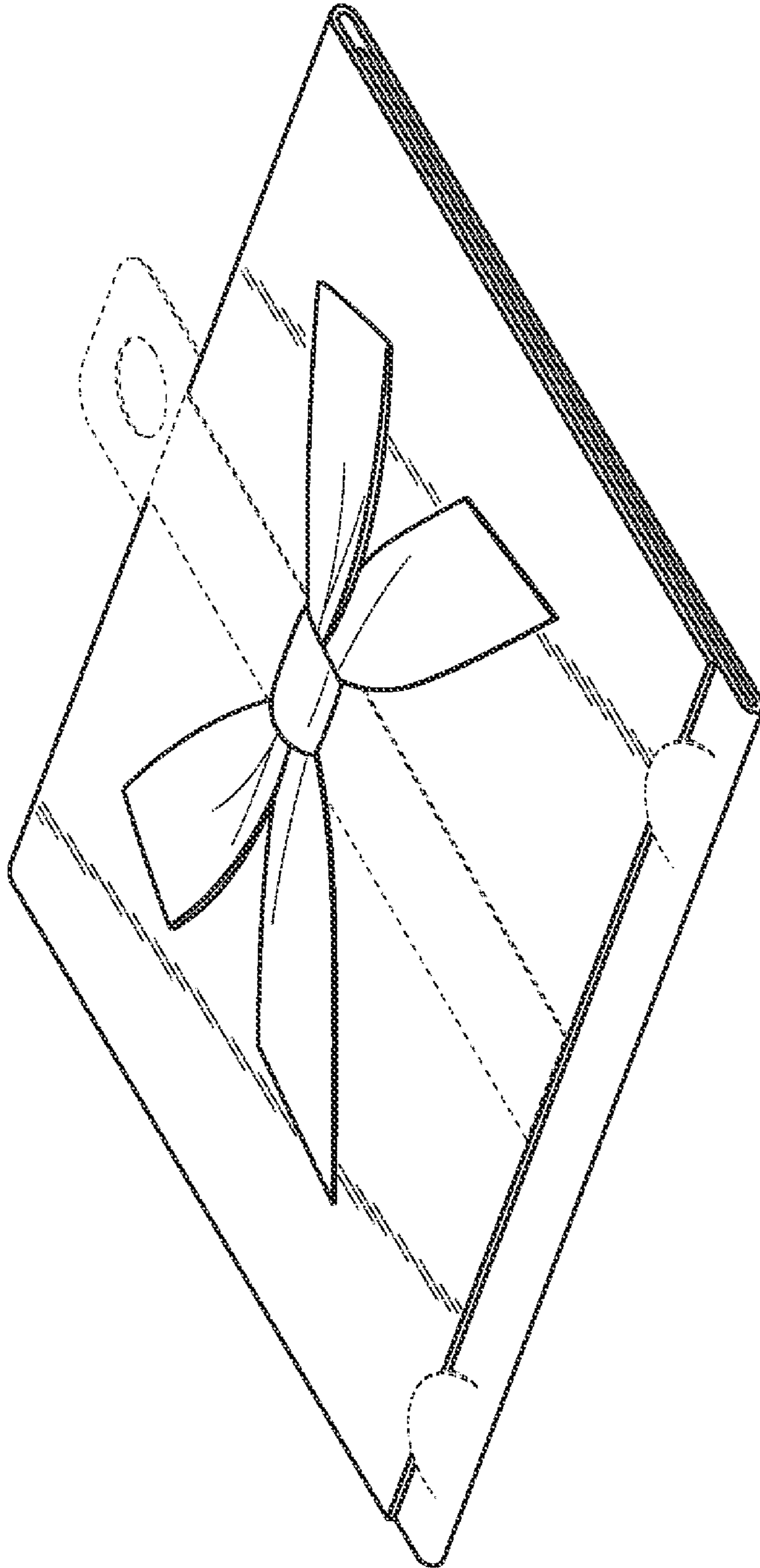


Fig. 8

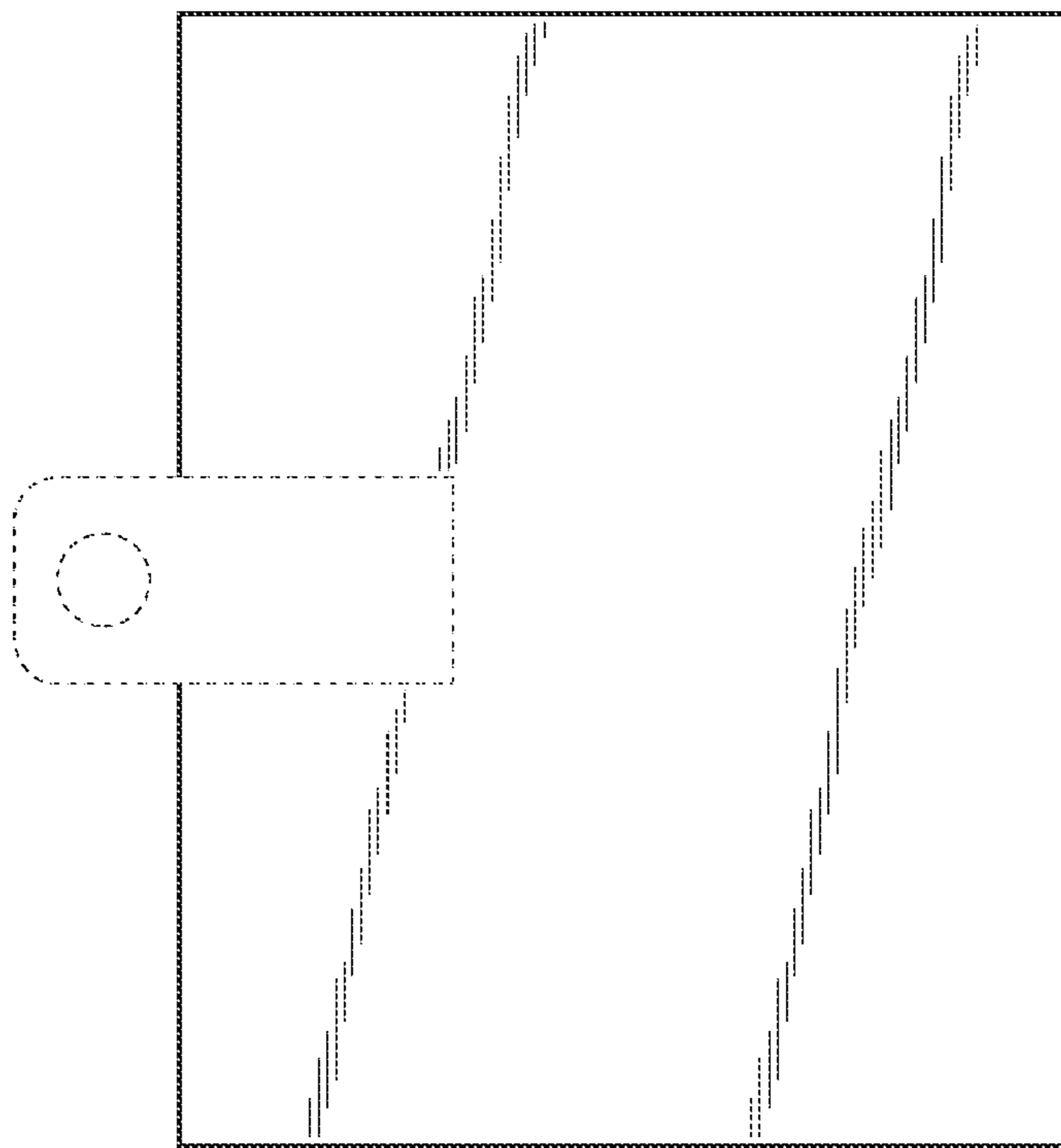


Fig. 10

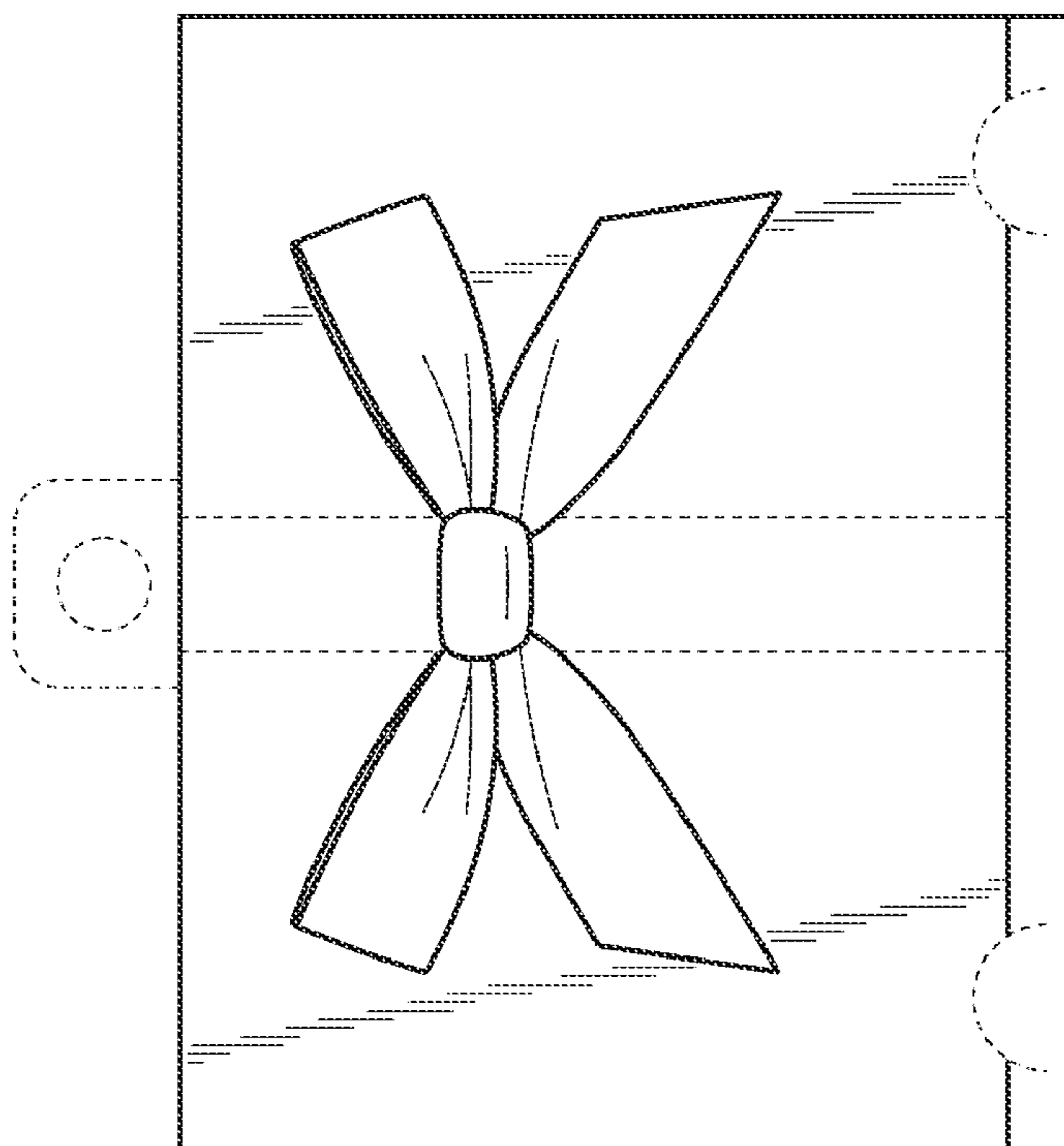


Fig. 9

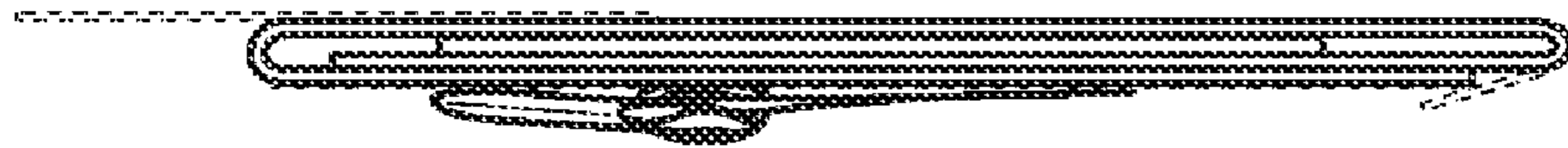


Fig. 11

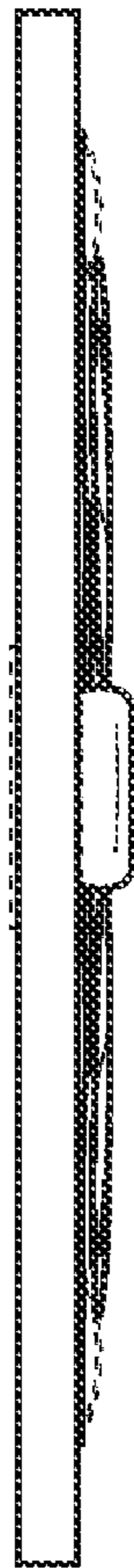


Fig. 12



Fig. 13

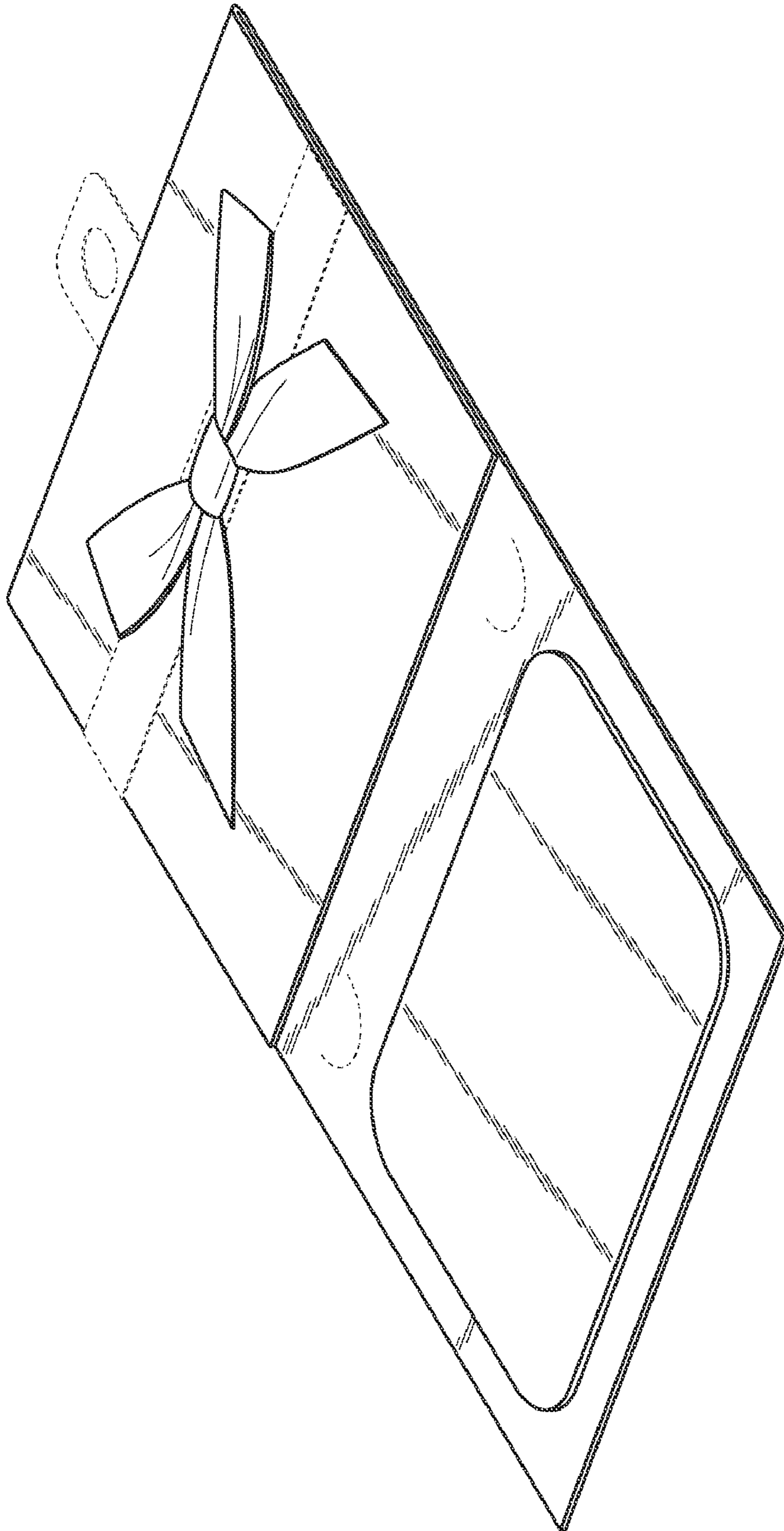


Fig. 14

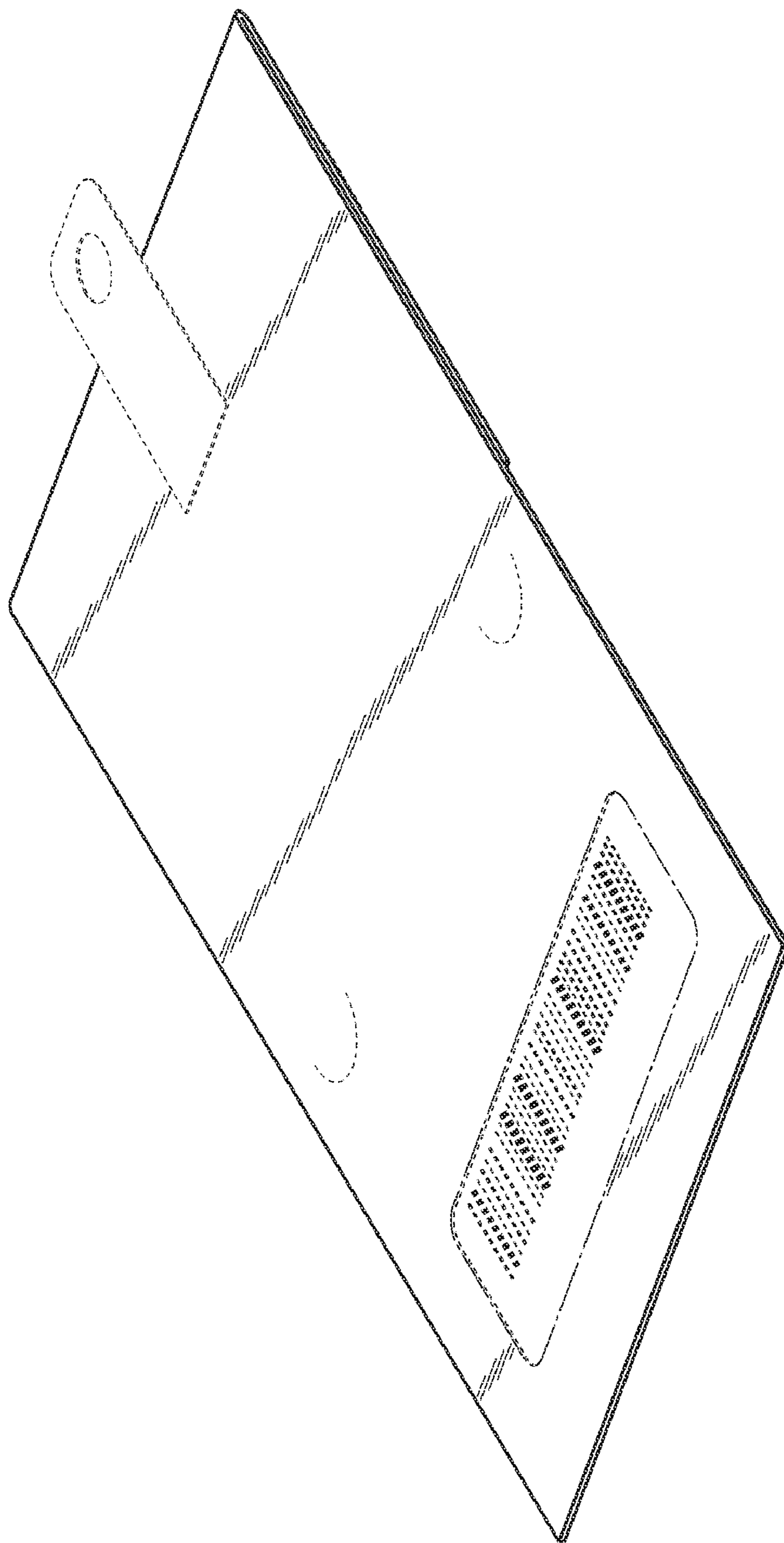


Fig. 15

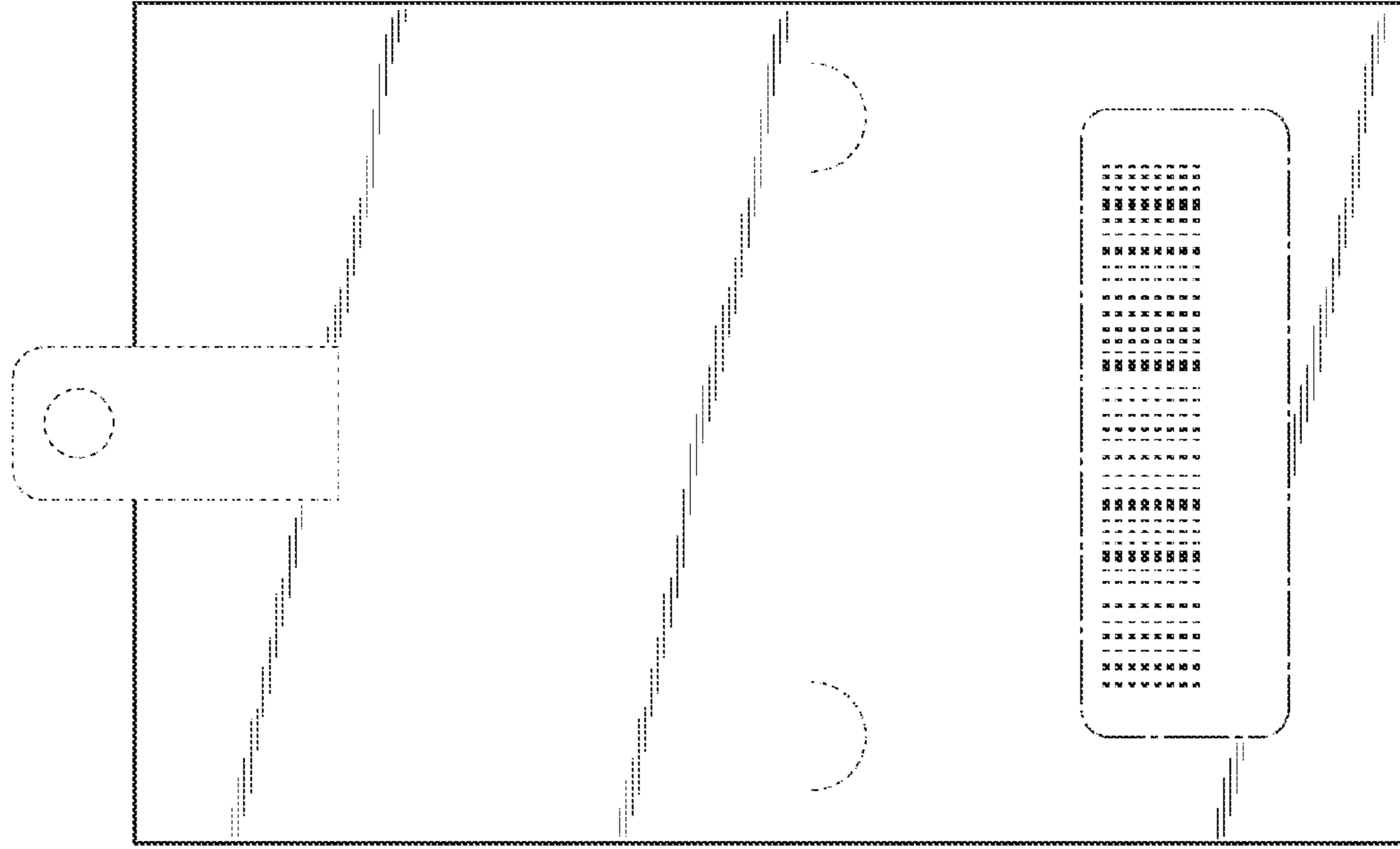


Fig. 16

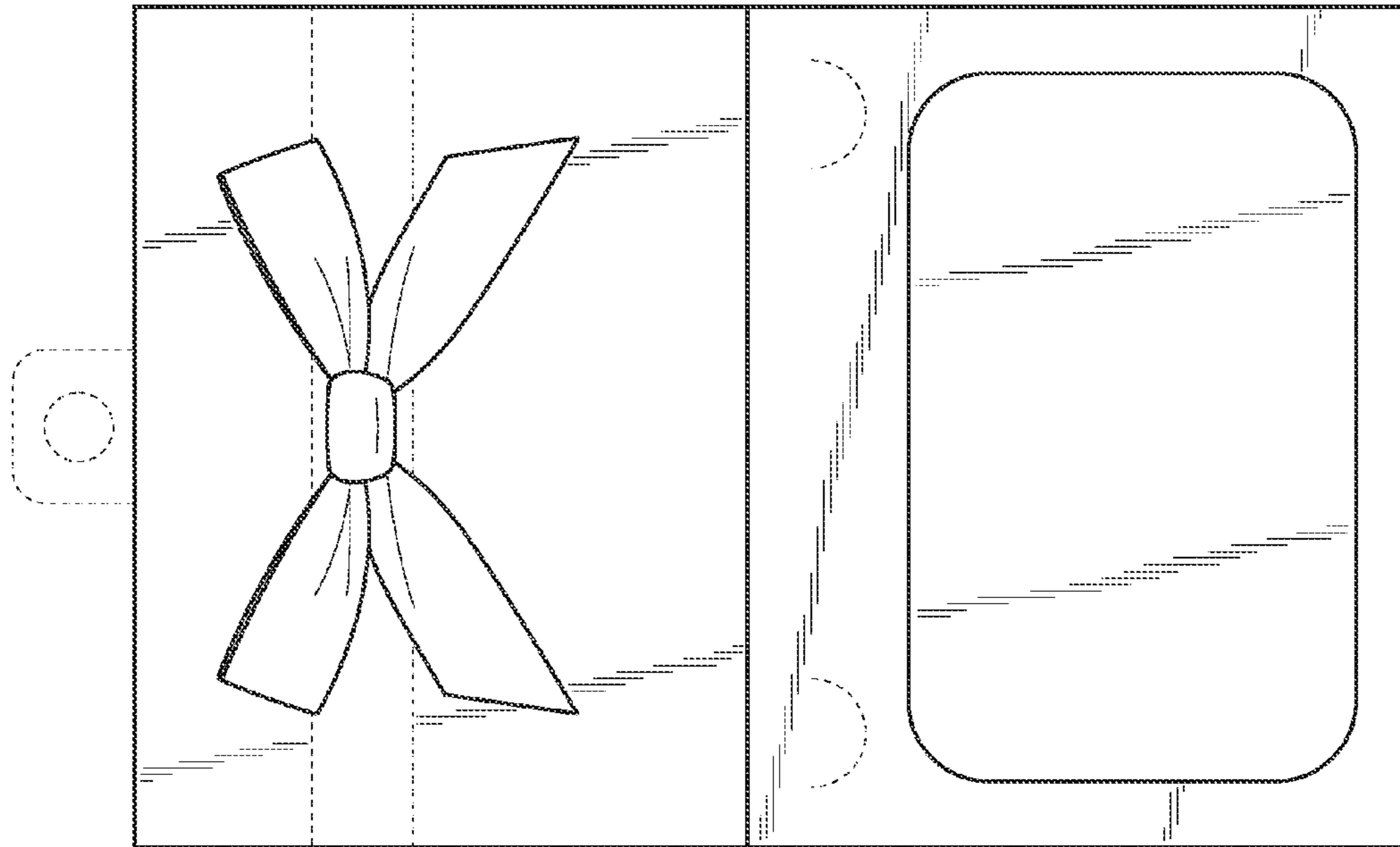


Fig. 17

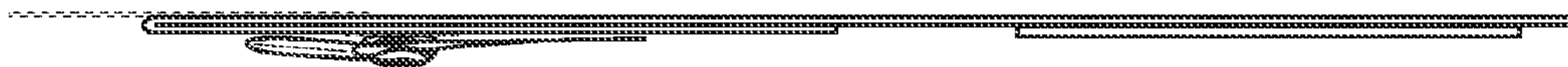


Fig. 18

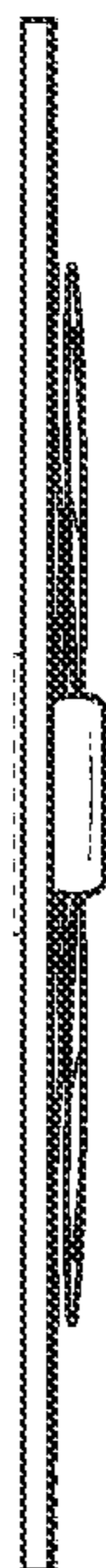


Fig. 19



Fig. 20

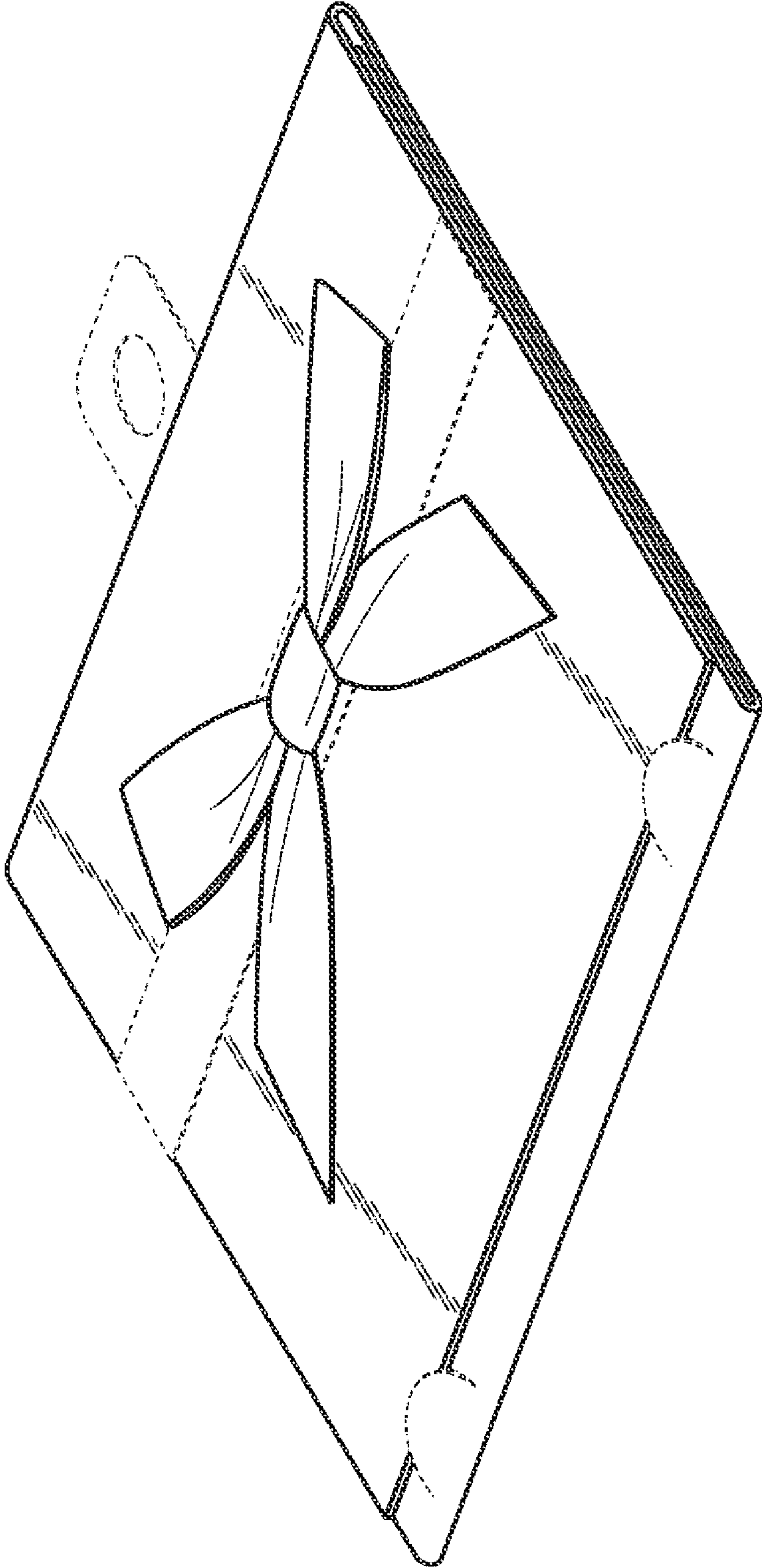


Fig. 21

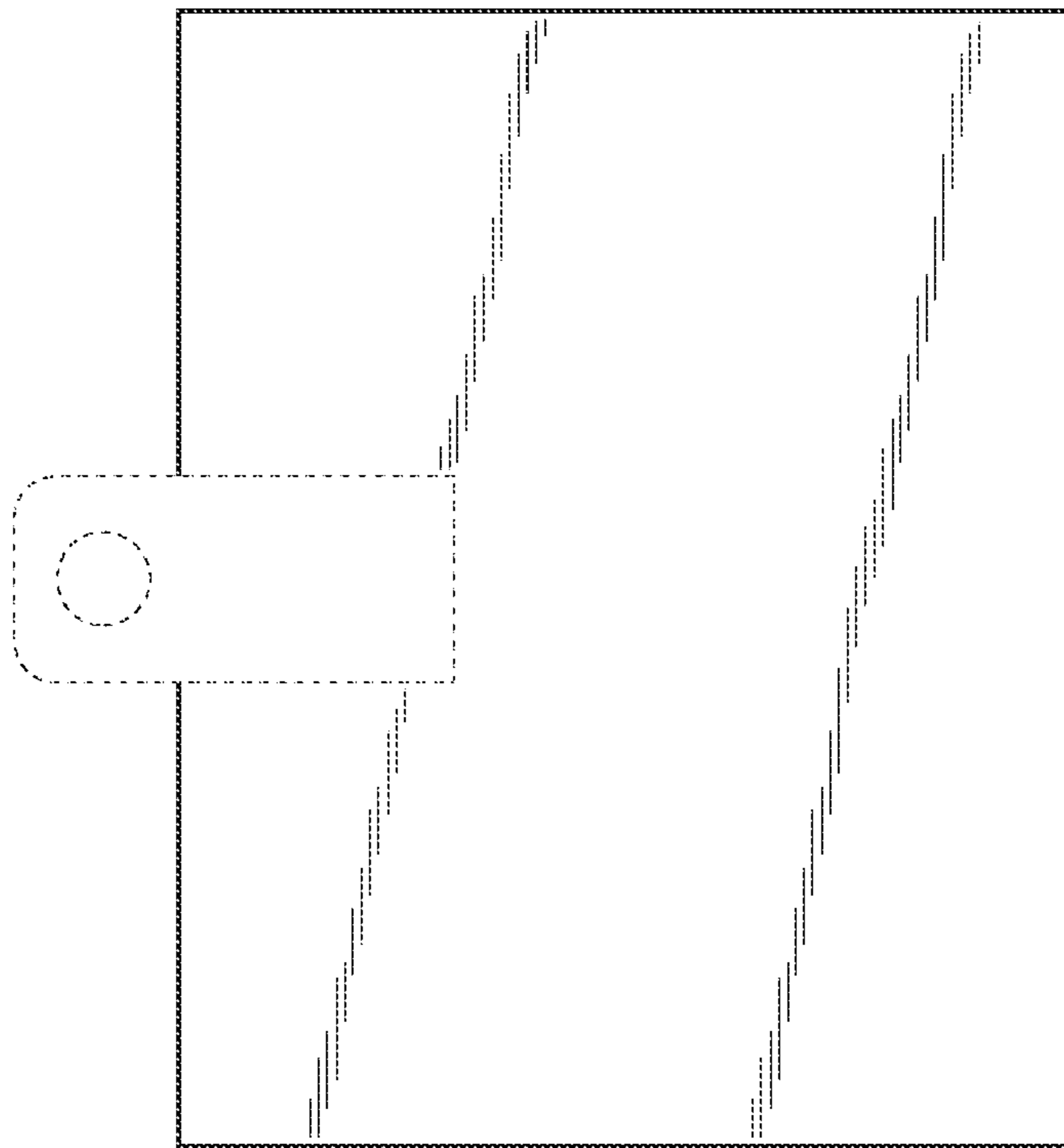


Fig. 22

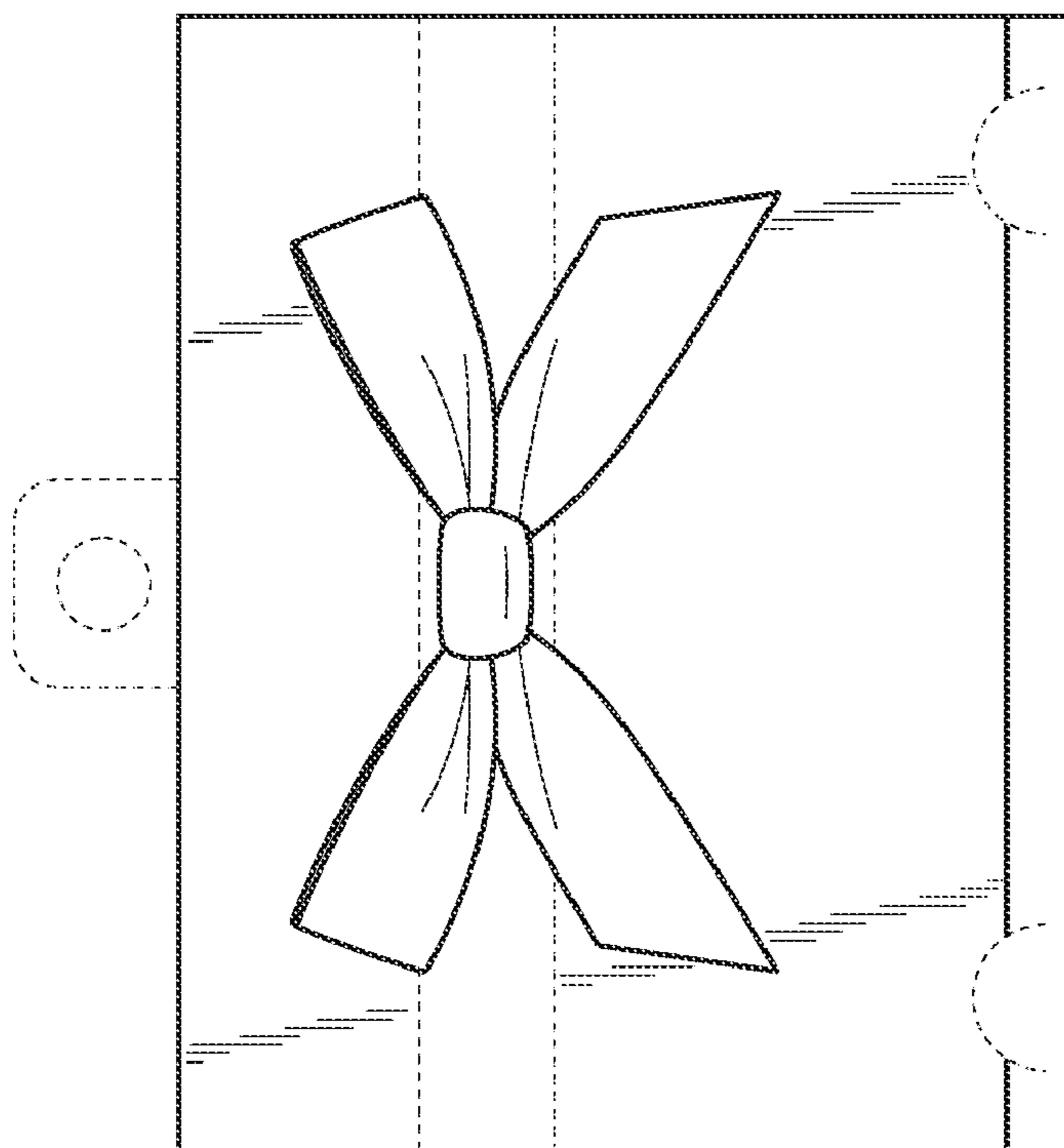


Fig. 23

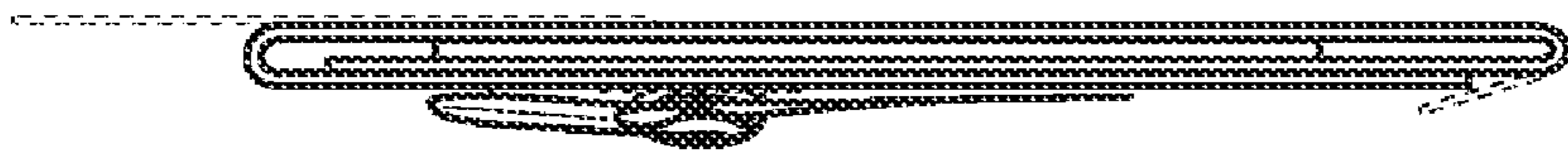


Fig. 24

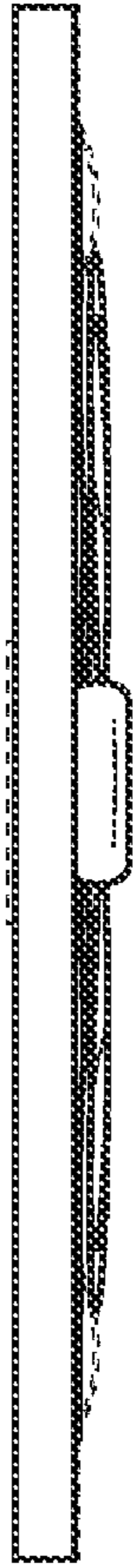


Fig. 25



Fig. 26