



US00D622762S

(12) **United States Design Patent**
Egami et al.

(10) **Patent No.:** **US D622,762 S**
(45) **Date of Patent:** **** Aug. 31, 2010**

(54) **PRINTER**

(75) Inventors: **Keiichiro Egami**, Nagoya (JP); **Kayo Hasui**, Nagoya (JP)

(73) Assignee: **Brother Industries, Ltd.**, Nagoya (JP)

(**) Term: **14 Years**

(21) Appl. No.: **29/331,415**

(22) Filed: **Jan. 26, 2009**

(30) **Foreign Application Priority Data**

Aug. 7, 2008 (JP) D2008-020522

(51) **LOC (9) Cl.** **14-02**

(52) **U.S. Cl.** **D18/55**

(58) **Field of Classification Search** D18/36-37,
D18/50, 54, 54.1, 55, 19; D14/420-425,
D14/463-470; 400/613, 613.1-613.4, 690.1-690.4,
400/691-694

See application file for complete search history.

(56) **References Cited**

U.S. PATENT DOCUMENTS

- D529,951 S * 10/2006 Katayama et al. D18/53
- D534,578 S * 1/2007 Katayama et al. D18/55
- D535,686 S * 1/2007 Ishio D18/39
- D548,776 S 8/2007 Egami et al.
- D552,168 S 10/2007 Egami et al.
- D552,169 S 10/2007 Egami et al.

- D574,886 S 8/2008 Mase et al.
- D575,330 S 8/2008 Egami et al.
- D586,384 S * 2/2009 Yamaguchi et al. D18/55
- D607,505 S * 1/2010 Sasaki et al. D18/55

OTHER PUBLICATIONS

U.S. Appl. No. 29/328,286, in the name of Yusuke Nakata, filed Nov. 21, 2008.

U.S. Appl. No. 29/328,498, in the name of Jiro Suzuki et al., filed Nov. 25, 2008.

* cited by examiner

Primary Examiner—Cathy Anne MacCormac

(74) *Attorney, Agent, or Firm*—Oliff & Berridge, PLC

(57) **CLAIM**

The ornamental design for a printer, as shown and described.

DESCRIPTION

FIG. 1 is a perspective view of a printer;

FIG. 2 is a front view thereof;

FIG. 3 is a top view thereof;

FIG. 4 is a right-side view thereof;

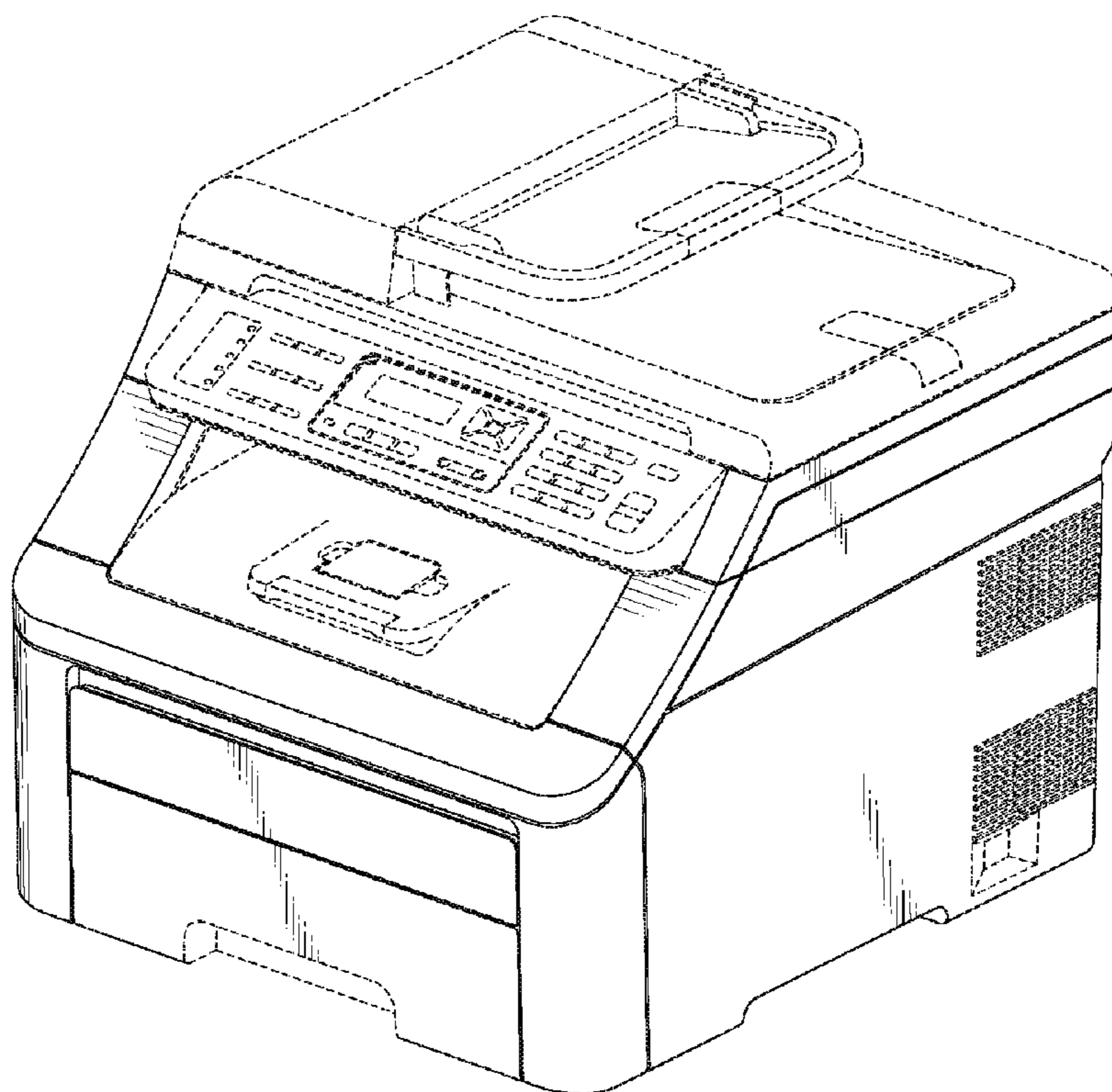
FIG. 5 is a left-side view thereof;

FIG. 6 is a rear view thereof; and,

FIG. 7 is a bottom view thereof.

The broken lines depict environmental subject matter only and form no part of the claimed design.

1 Claim, 7 Drawing Sheets



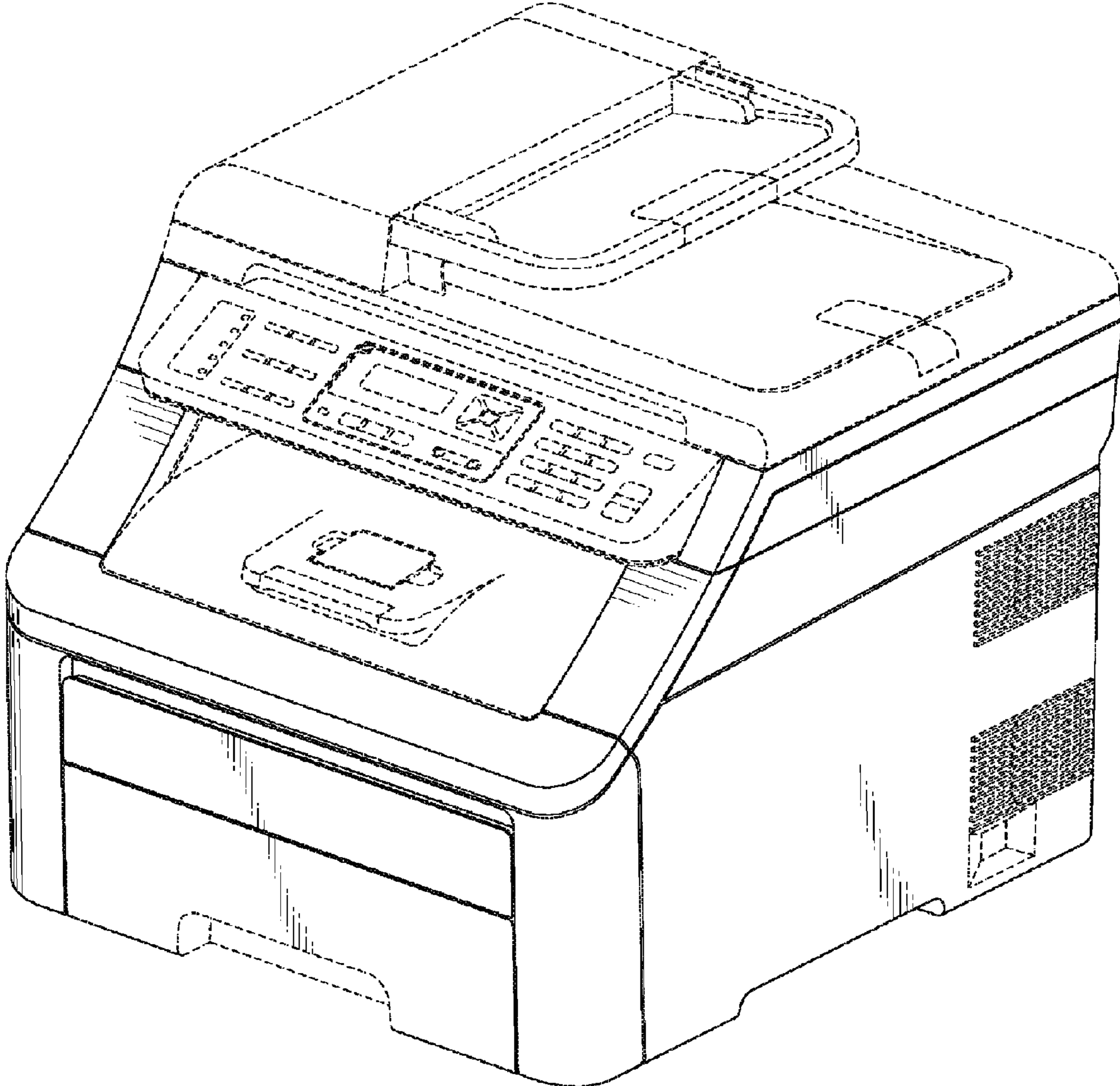


FIG. 1

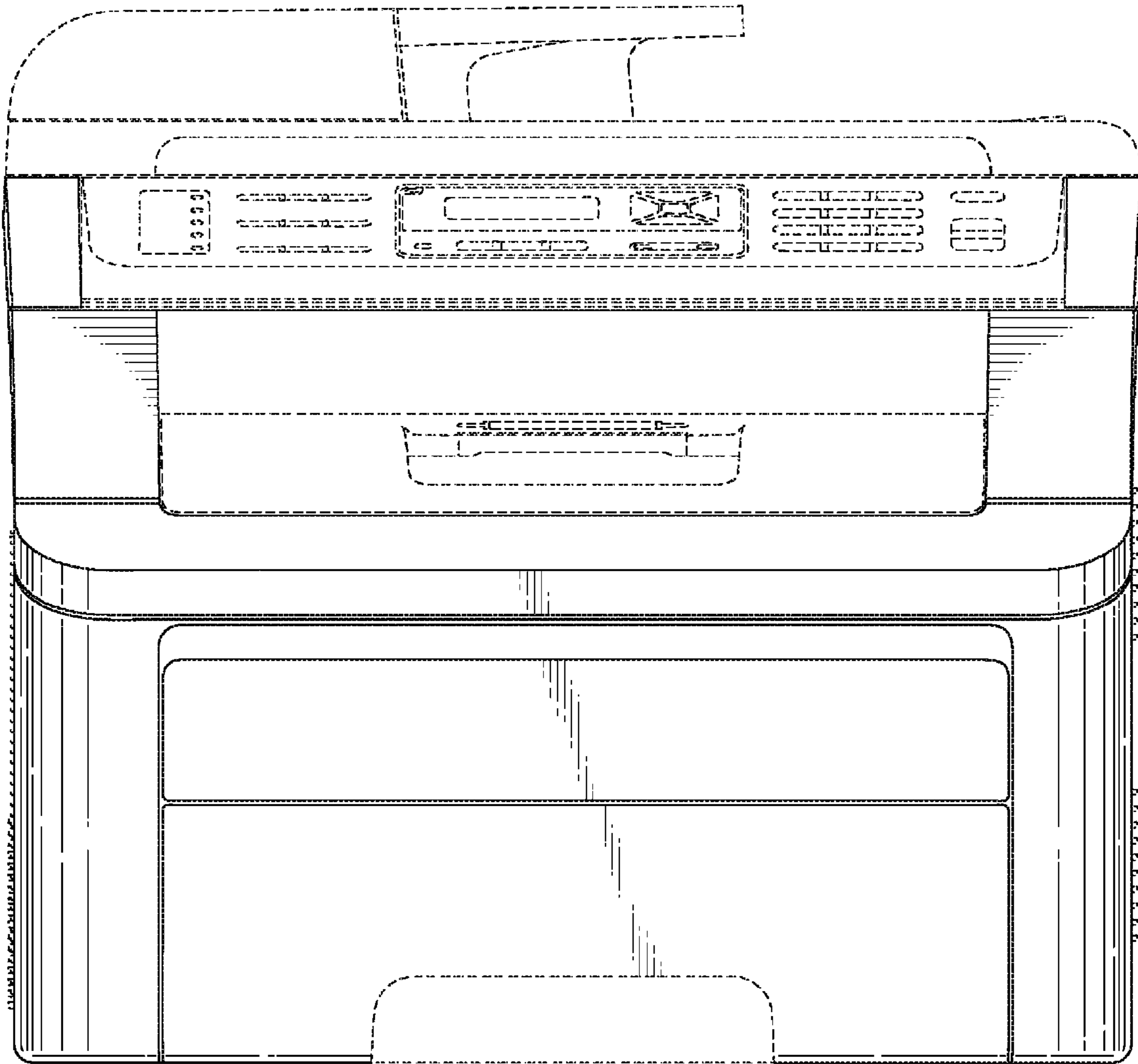


FIG. 2

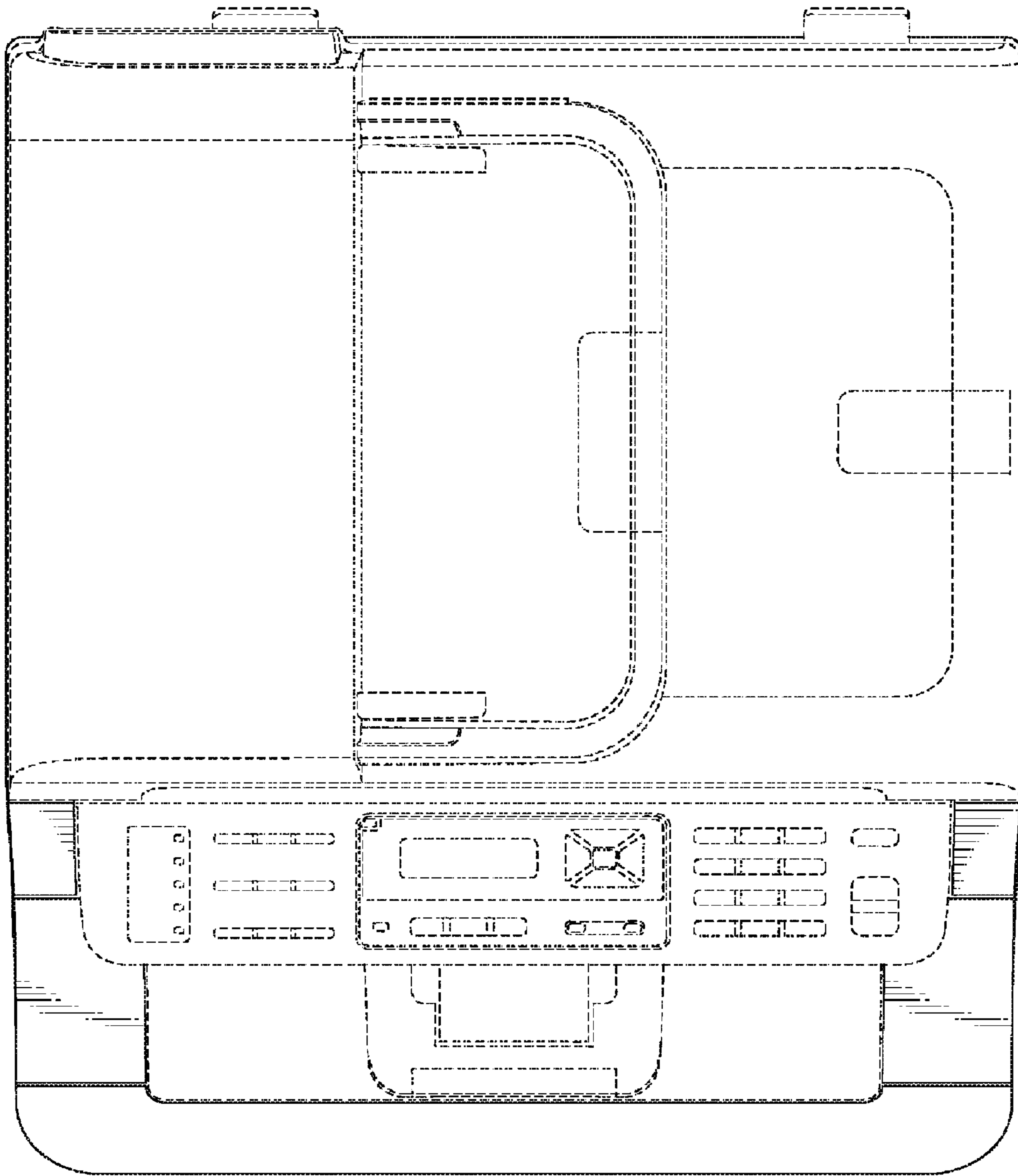


FIG. 3

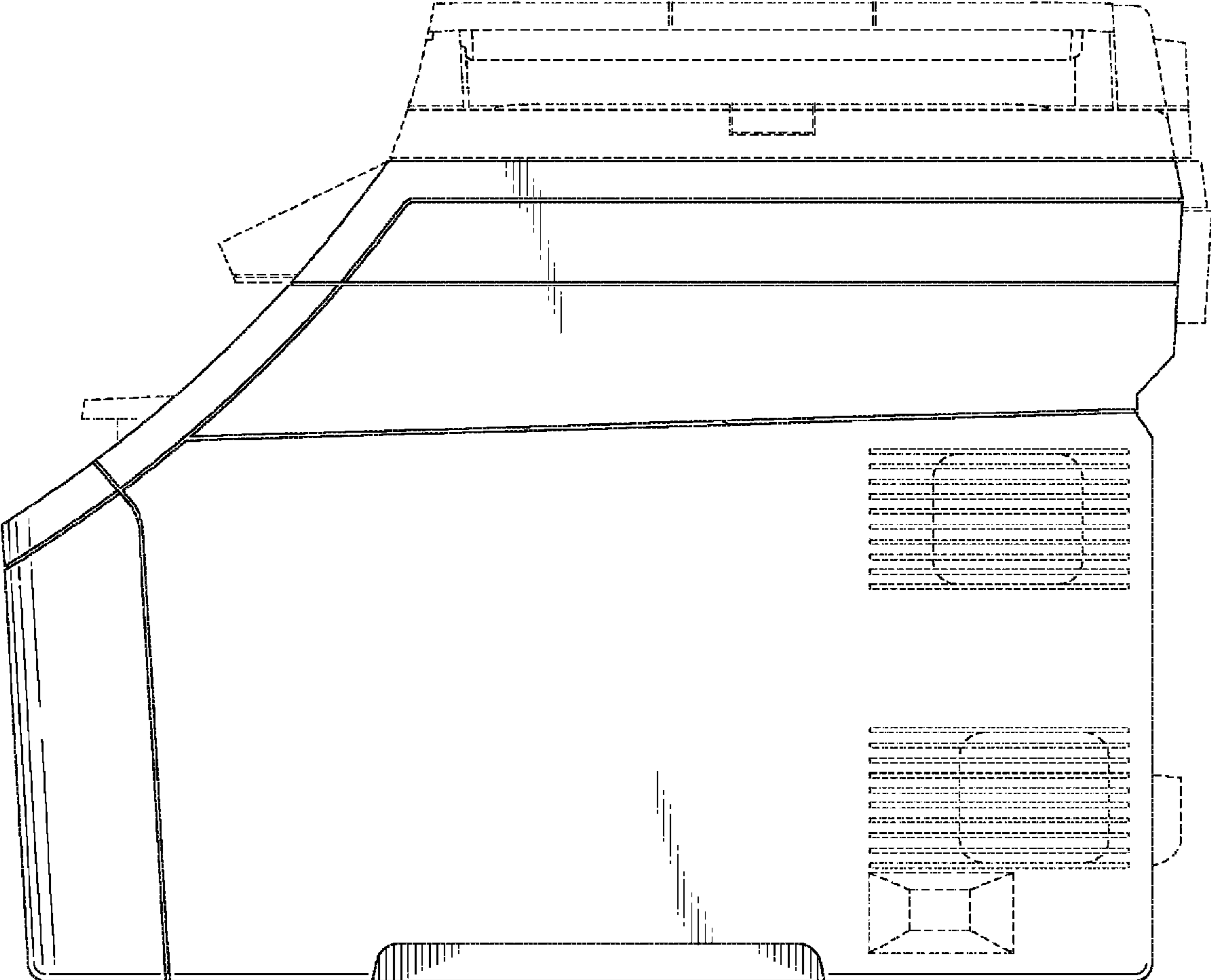


FIG. 4

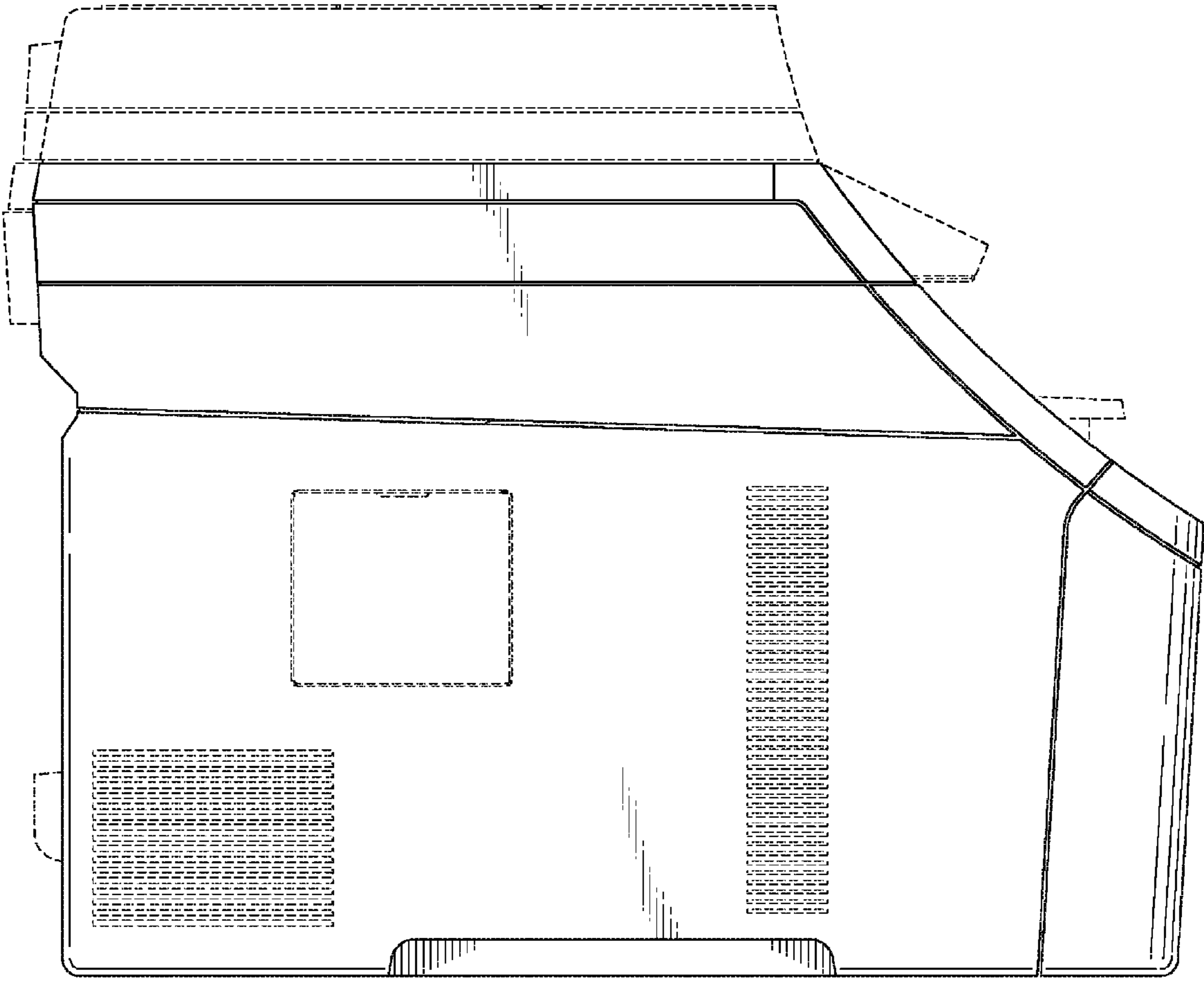


FIG. 5

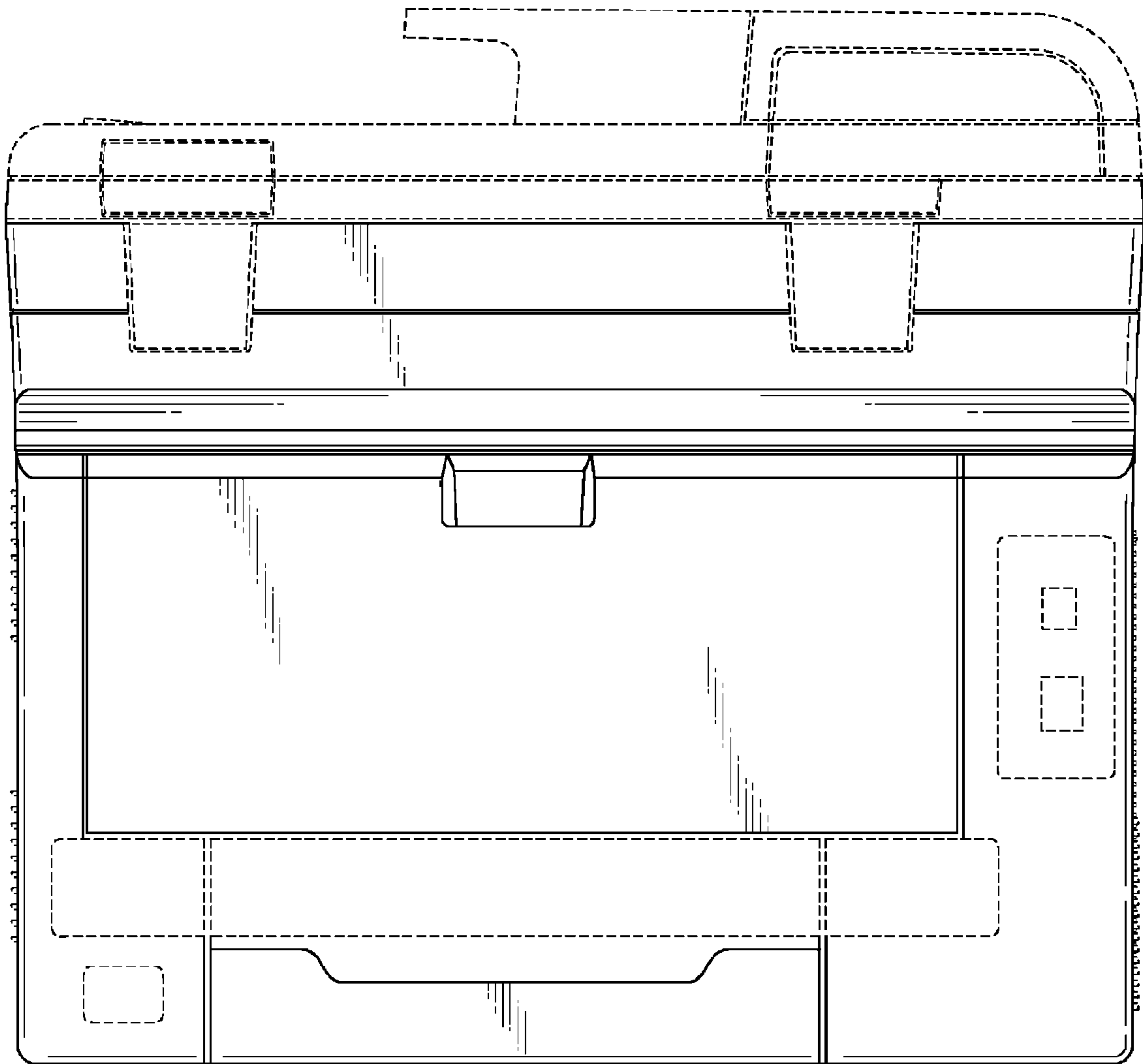


FIG. 6

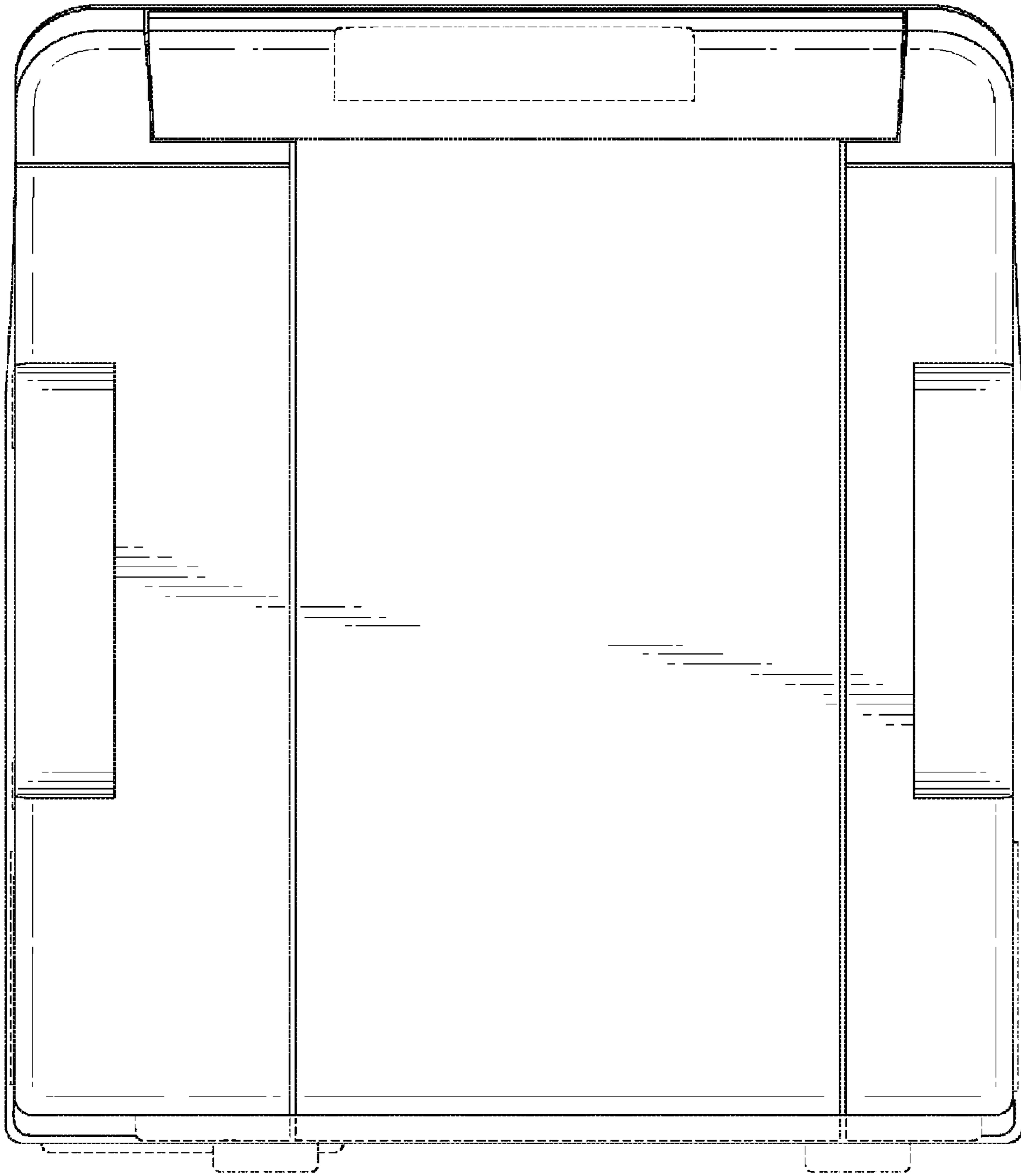


FIG. 7